

FF1935PL

73.0" x 29.25" x 27.0" (H x W x D)

Counter depth 18 cu.ft. frost-free refrigerator-freezer in platinum finish, part of the Ingenious Series designed for true user convenience in the kitchen

Highlights:

Part of the Ingenious Series of refrigerator-freezers, designed with extra care for modern user convenience

Over 18 cu.ft. of interior storage inside a convenient counter depth fit

Modern platinum finish offers an attractive look for any kitchen

Deluxe interior includes spillproof glass shelves and multiple crispers

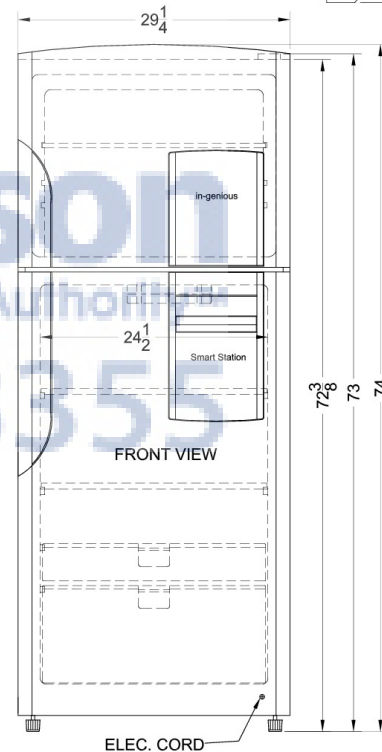
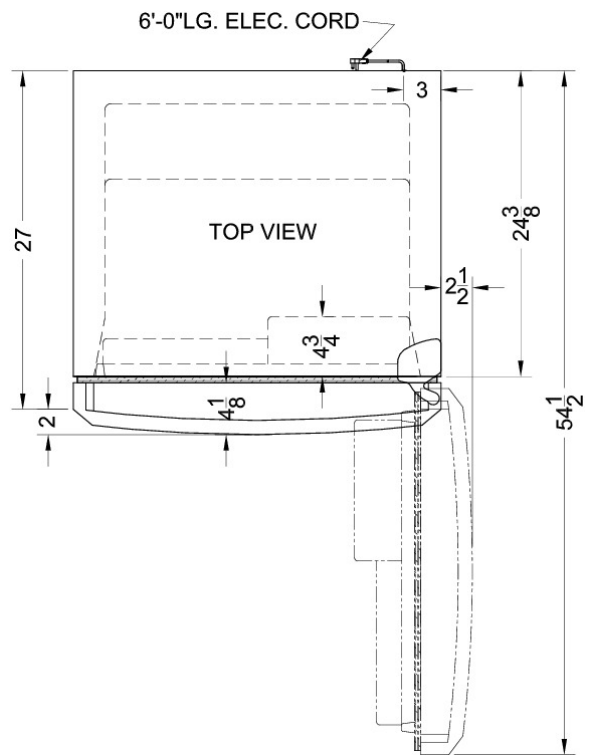


AjMadison
Your Appliance Authority™
800-570-3355

Frost-free operation	Ensures low maintenance operation by eliminating the manual defrosting process
Platinum finish	Stylish look suits many kitchen styles
Adjustable safety glass shelves	Rearrange refrigerator and freezer space to accommodate all sizes or remove shelves for simple cleanup
Door storage	Full and half shelves in both compartments, with a large refrigerator door shelf that can accommodate gallon-sized containers
Smart Station	Unique door compartment lets you store selected items in a way that's easily accessible without opening the door
Express Chill Zone	Special freezer feature lets you cool down items quickly in 60, 45, 30, 20, 15, or 10 minute increments, with an audible alarm to tell you when your item is ready
Humidity controlled crisper	Large crisper drawer offers the ideal conditions for storing produce
Deli crisper	Clear drawer compartment is ideally designed for deli storage
Sliding mini-crisper	Great for smaller items, the compact crisper can be moved from side to side for added flexibility
Smart Fill Ice Station	No-spill ice cube system includes a removable cylinder that when filled, will automatically fill a small ice tray that can then be easily emptied into a storage box with a simple lever

FF1935PL Specifications:

Height	73.0"
Width	29.25"
Depth	27.0"
Capacity	18.12 cu.ft.
Shipping Weight	220.0 lbs.
Weight	203.0 lbs.
US Electrical Safety	UL
Voltage/Frequency	115 V AC/60 Hz
Amps	1.3
Energy Usage/Year	472.0 kWh/year
Canadian Electrical Safety	ULC
Reversible	No
Door Swing	RHD
Crisper Quantity	2
Shelf Quantity	4
Adjustable Shelf	true
Shelf Type	Glass
Crisper Cover Type	Glass
Crisper Finish	Transparent
Full Door Shelf Quantity	3
Half Door Shelf Quantity	3
Gallon Storage	true
Wheel Quantity	2
Defrost Type	Frost-Free
Depth with door at 90°	54.5"
Thermostat Type	Digital
Fan Type	Interior
Light	true
Freon Oz	4.2
Level Legs Quantity	2
High Side PSI	335.0
Low Side PSI	140.0
Refrigerant Type	R134a
Parts/Labor Warranty	1 Year
Compressor Warranty	5 Years



AjMadison
 Your Appliance Authority
 800-570-3355

Summit Appliance Division, Felix Storch, Inc.
 770 Garrison Ave • Bronx, NY 10474
 Phone: 718-893-3900 • Fax: 718-842-3093
 Email: info@summitappliance.com