

**Frost-Free Refrigerator/Freezer**

**Réfrigérateur/Congélateur**

**sans givre**

**Refrigerador/Congelador**

**sin heladas**

User Manual

Guide de l'Utilisateur

Manual del Usuario

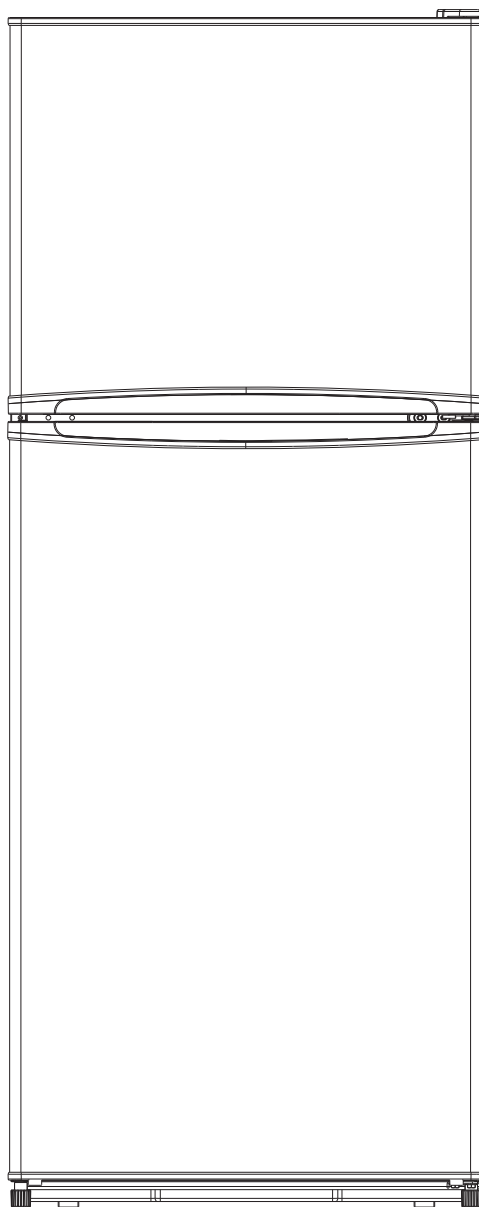
Model **FF1075W**

**FF1078B**

**FF1077SS**

**FF1375W**

**FF1376SS**





# TABLE OF CONTENTS

## SAFETY INFORMATION

Important Safety Instructions .....2-3

## SET UP & USE

Electrical Requirements .....4

Installation Guide .....4-5

Installing Your Refrigerator .....5

Accessories .....6

Parts & Features .....7

Reversing the Door Swing .....8-9

Features and Use ..... 10-11

Food Storage Information ..... 12

## CLEANING AND CARE

Care and Maintenance ..... 13-14

## TROUBLE SHOOTING & WARRANTY

Normal Operating Sounds ..... 15

Troubleshooting ..... 16-17

Customer Service ..... 18

Limited Warranty ..... 19

# PRODUCT REGISTRATION

Thank you for purchasing our Summit product. This easy-to-use manual will guide you in getting the best use out of your product. Remember to record the model and serial numbers. They are on the backside or inside of the product.

\_\_\_\_\_

Model number

\_\_\_\_\_

Serial number

\_\_\_\_\_

Date of purchase

Staple your receipt to your manual. You will need it to obtain warranty service.

# IMPORTANT SAFETY INSTRUCTIONS

## WARNING

**READ ALL INSTRUCTIONS BEFORE USING THIS APPLIANCE:  
WHEN USING THIS APPLIANCE, ALWAYS EXERCISE BASIC SAFETY  
PRECAUTIONS, INCLUDING THE FOLLOWING:**

**NOTE:** If the refrigerator has been placed in a horizontal or tilted position for any period of time, wait 24 hours before plugging the unit in.

- 1) Use this appliance only for its intended purpose as described in this use and care guide.
- 2) This refrigerator must be properly installed in accordance with the installation instructions before it is used. See Electrical Requirements in the Set Up & Use section.
- 3) This refrigerator should not be recessed or built into an enclosed cabinet. It is designed for freestanding installation only.
- 4) Never unplug your refrigerator by pulling on the power cord. Always grasp the plug firmly and pull straight out from the outlet.
- 5) Repair or replace immediately all electric service cords that have become frayed or otherwise damaged. Do not use a cord that shows cracks or abrasion damage along its length, the plug or the connector end.
- 6) If your old refrigerator is not being used, we recommend that you remove the doors. This will reduce the possibility of danger to children.

## WARNING

**AFTER YOUR REFRIGERATOR IS IN OPERATION, DO NOT TOUCH THE COLD SURFACES IN THE FREEZER COMPARTMENT, PARTICULARLY WHEN HANDS ARE DAMP OR WET. SKIN MAY ADHERE TO THESE EXTREMELY COLD SURFACES.**

- 7) Do not refreeze foods that have been thawed completely. The United States Department of Agriculture in Home and Garden Bulletin No. 69 reads:  
"...You may safely refreeze frozen foods that have thawed if they still contain ice crystals or if they are still cold, below 40°F."  
"...Thawed ground meats, poultry, or fish that have any off-odor or off-color should not be refrozen and should not be eaten. Thawed ice cream should be discarded. If the odor or color of any food is poor or questionable, discard it. The food may be dangerous to eat."  
"...Even partial thawing and re-freezing can reduce the eating quality of foods, particularly fruits, vegetables, and prepared foods. The eating quality of red meats is affected less than that of many other foods. Use refrozen foods as soon as possible to save as much of their eating quality as you can."

## IMPORTANT SAFETY INSTRUCTIONS CONT.

8) Do not use any electrical device or any sharp instrument in defrosting your refrigerator.

**⚠ DANGER:** Risk of Fire or Explosion. Flammable Refrigerant Used. Do Not Use Mechanical Devices to Defrost Refrigerator or Freezer. Do Not Puncture Refrigerant Tubing.

9) Unplug your refrigerator before cleaning or before making any repairs.

**NOTE:** If for any reason this product requires service, the component parts shall be replaced with like components and servicing shall be done by factory authorized service personnel, so as to minimize the risk of possible ignition due to incorrect parts or improper service.

10) Do not operate your refrigerator in the presence of explosive fumes.

# SAVE THESE INSTRUCTIONS

## CAUTION -Risk of Fire or Explosion

**Dispose of properly in accordance with Federal or Local Regulations. Flammable refrigerant used.**



### DANGER

**RISK OF CHILD ENTRAPMENT. BEFORE YOU THROW AWAY YOUR OLD REFRIGERATOR OR FREEZER, TAKE OFF THE DOORS. LEAVE THE SHELVES IN PLACE SO THAT CHILDREN MAY NOT EASILY CLIMB INSIDE.**

# ELECTRICAL REQUIREMENTS

## GROUNDING INSTRUCTIONS

### **WARNING**

#### **ELECTRICAL REQUIREMENT - SHOCK HAZARD**

- Make sure there is a suitable power outlet. 115 Volts, 15 Amps, 3 Prong (Grounded) power outlet with proper grounding to power the refrigerator.
- Avoid the use of three prong adapters or cutting off the third grounding prong in order to accommodate a two prong outlet. This is a dangerous practice since it provides no effective grounding for the refrigerator and may result in shock hazard.

## USE OF EXTENSION CORDS

### **WARNING**

#### **USE OF EXTENSION CORDS- POTENTIAL SAFETY HAZARD**

- Avoid the use of an extension cord because of potential safety hazards under certain conditions. If it is necessary to use an extension cord, use only a 3-wire extension cord that has a 3-blade grounding plug and a 3-slot outlet that will accept the plug. The marked rating of the extension cord must be equal to or greater than the electrical rating of the appliance. **DO NOT USE EXTENSION CORD LONGER THAN 12 FT.**

# INSTALLATION GUIDE

## INSTALLATION LIMITATIONS

- Select a suitable location for the refrigerator on a hard even surface away from direct sunlight or heat source, e.g. radiators, baseboard heaters, cooking appliances, etc. Any floor unevenness should be corrected with the leveling legs located on the front bottom corners of the refrigerator.

## UNPACKING YOUR REFRIGERATOR

1. Remove all packaging material. This includes the corrugated base and all adhesive tape holding the refrigerator accessories inside and outside.
2. Inspect and remove any remains of packing, tape or printed materials before powering on the refrigerator.
3. If your refrigerator comes with smooth or stainless steel doors, please remove the clear film before turning it on for the first time. When removing the film, do not pull the film straight down as this could result in misaligned doors.
4. It is normal for the freezer door to be positioned slightly higher than the top of the cabinet when the refrigerator is first installed. This positioning is done at the factory to ensure a proper gasket seal once the door is weighted with food items.

# INSTALLATION GUIDE CONT.

## ⚠ CAUTION

**Risk of Fire or Explosion due to puncture of refrigerant tubing. Flammable refrigerant used. Handle with care when moving refrigerator to avoid either damaging the refrigerant tubing or increasing the risk of a leak.**

## LEVELING YOUR REFRIGERATOR

- Your refrigerator has two leveling legs that are located in the front bottom corners of your refrigerator. After properly placing your refrigerator under its final position, you can level your refrigerator.
- Leveling legs can be adjusted by turning them counterclockwise to raise your refrigerator or by turning them clockwise to lower your refrigerator. The refrigerator door will close easier when the leveling legs are extended.



## PROPER AIR CIRCULATION

- To ensure your refrigerator works at the maximum efficiency it was designed for, you should install it in a location where there is proper air circulation, plumbing and electrical connections. Your refrigerator is not designed to operate in temperatures below 55°F (12°C) or above 95°F (35°C).
- Do not install your refrigerator in any location not properly insulated or heated, e.g. garage, etc. Keep out of direct sunlight and away from heating sources such as radiators, heaters, and cooking appliances.
- The following are recommended clearances around the refrigerator:

Sides.....1" (25 mm)      Top.....1" (25 mm)      Back.....2" (50mm)

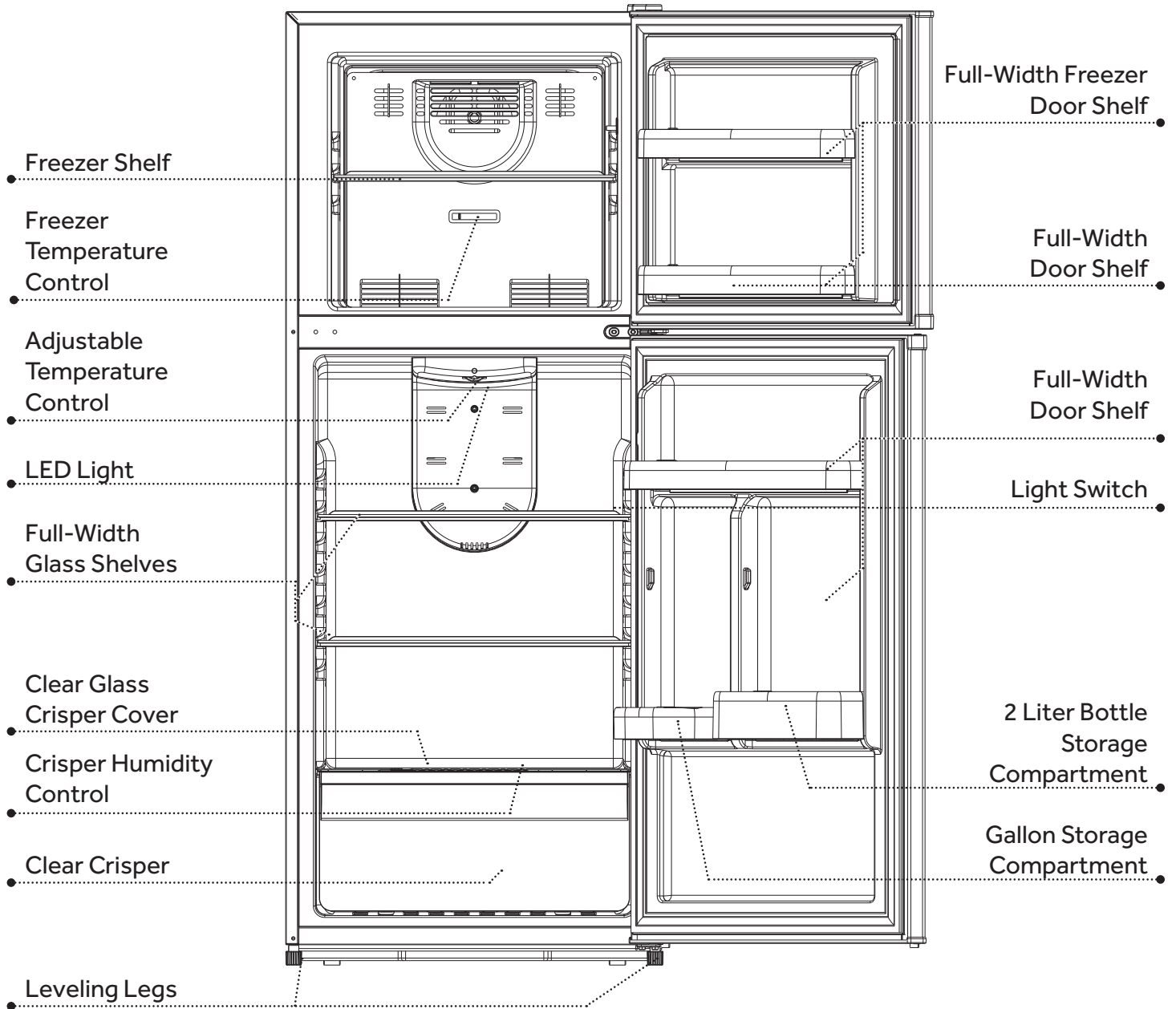
# ACCESSORIES

The following accessories are included:

- Glass Shelf for the Fresh Food Section
- Glass Shelf for Freezer Compartment



# PARTS & FEATURES



# REVERSING THE DOOR SWING

## LEFT/RIGHT DOOR OPENING METHOD

This product allows you to reverse the door opening from left to right and back. You can select your preference of door opening by following the procedure to make the change.

## TOOLS REQUIRED

Phillips and Flat Head Screwdrivers, Ratchet Wrench with 8 mm and 10 mm sockets.

## DISMANTLING

(Fig. 1 and Fig. 2)

1. Affix refrigerator and freezer door by sticking adhesive tape on both sides to hold doors in place.

Fig. 1

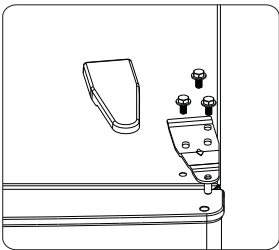
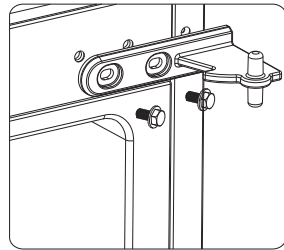


Fig. 2



2. As shown in Fig. 1, remove the upper hinge cover by using flat head screwdriver. Then remove three screws using ratchet wrench with 10 mm head. Take out hinge by pulling it vertically and keep it in safe place.

3. Remove the adhesive tape on freezer door, lift it and take off the door and carefully put it aside.

4. Remove two screws of central hinge using ratchet wrench with 8 mm socket, and keep them in a safe place (Fig. 2)

5. Remove the adhesive tape on refrigerator door, lift it and take refrigerator door, and carefully put it aside.

6. Remove the doorstoppers from the refrigerator and freezer doors. (Fig. 3)

7. Insert left side doorstoppers (provided in your packing) on the left side bottom hole of the refrigerator door and on the left side bottom hole of the freezer door. Fasten with screws provided. (Fig. 4)

Fig. 3

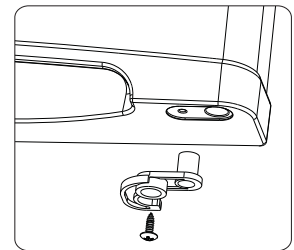
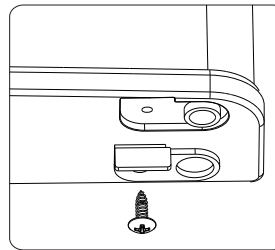
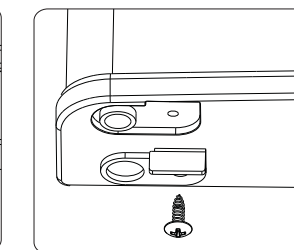
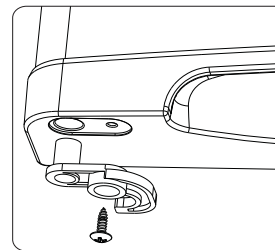


Fig. 4



# REVERSING THE DOOR SWING CONT.

## REINSTALLATION

1. Remove the lower pivot pin from the lower hinge by turning counter clockwise. Move the pin to the opposite hole and tighten. Make sure that washer on the pin stays in place (Fig. 5)

Fig. 5

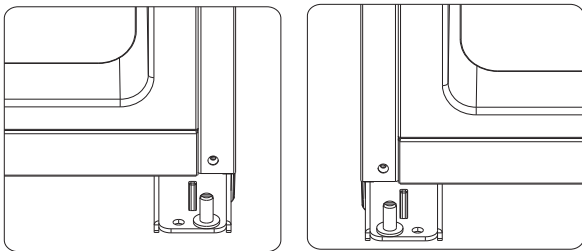
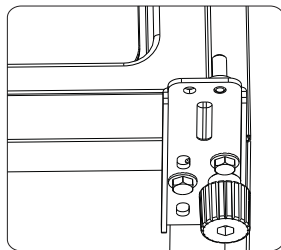


Fig. 6



2. Tilt refrigerator on a 45-degree angle to have access to the bottom front.



## CAUTION

Two People Required.

3. Remove both left and right front feet from bottom. (Fig. 6)
4. Loosen the screws holding the bottom hinge and remove it using ratchet wrench with 10 mm socket. Remove one Phillips Head screw on other side.

5. Align the holes in the bottom hinge to the corresponding holes on the opposite side of the cabinet. Insert and tighten the screws. Reinstall both front feet and reinstall Phillips Head screw on opposite side.

Fig. 7

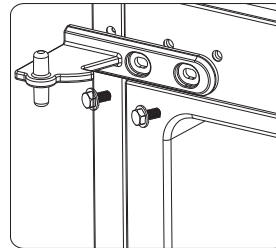
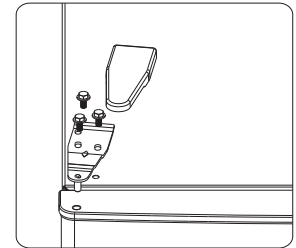


Fig. 8



6. To install refrigerator door: Line up the left bottom hole of the refrigerator compartment door over the bottom hinge pin. Move door forward to make it straight and align with central hinge. Install the central hinge again, and turn the hinge axle until it completely enters the door body. Secure it with the screws provided. (see Fig. 7)

**NOTE:** Prior to this, remove plugs from door frame and install on opposite side.

7. To install freezer door: Line up left bottom hole of the door over the central hinge middle pin. Move door forward to make it straight and align with freezer compartment. Place over left side the top hinge, align holes with hole on the refrigerator top and tighten with the screws provided. (see Fig. 8)
8. Reinstall hinge cover as shown in Fig. 8

# FEATURES AND USE

## ADJUSTABLE TEMPERATURE DIAL

Your refrigerator will automatically maintain the temperature level you select. The temperature control dial has 7 settings. 1 is the warmest. 7 is the coldest. At first, set the dial to 4 and allow 24 hours to pass before adjusting the temperature to your needs.

To adjust the temperature range in the cold setting, turn the temperature dial in a clockwise direction. For normal operating conditions, keep the dial halfway between cold and coldest. For your convenience, the factory presets the control at normal operating conditions.

**NOTE:** If the refrigerator has been placed in a horizontal or tilted position for any period of time wait 24 hours before plugging the unit in.

## FREEZER SECTION

Your freezer compartment is equipped with adjustable temperature control. For your convenience, temperature is preset by the factory to the colder setting. There is also an option to adjust the settings, either to cold or to coldest.

## REFRIGERATOR SECTION INTERIOR LIGHT

Your refrigerator is equipped with an interior light in the fresh food section for you to easily locate your food.

## FROST- FREE REFRIGERATOR-FREEZER

You should never need to defrost your freezer, as it automatically defrosts any ice build-up that may occur.

**⚠ DANGER:** Risk of Fire or Explosion.  
Flammable Refrigerant Used. Do Not Use Mechanical Devices to Defrost Refrigerator or Freezer. Do Not Puncture Refrigerant Tubing.

## REFRIGERATOR INTERIOR SHELVES

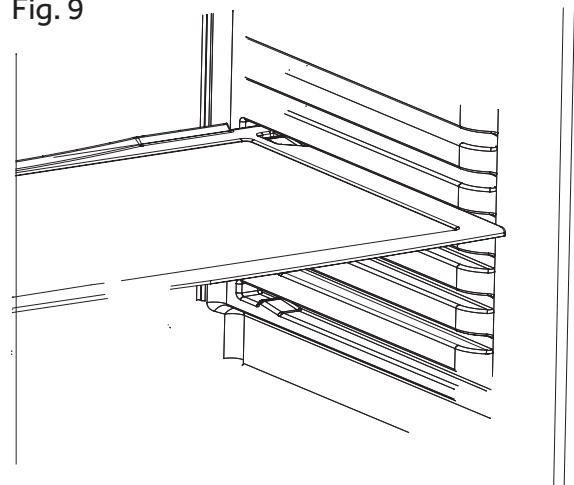
(Shelves may vary by model)

The shelves of your refrigerator were designed with you in mind. Their varied adjustability allows you to satisfy your personal storage needs.

To remove or adjust a full-width slide-out shelf:  
(see Fig. 9)

1. Gently tilt the shelf up and slide forward until the shelf has been completely removed.
2. To replace the shelf, select the desired setting and gently slide the shelf back until it rests in the locking position.

Fig. 9



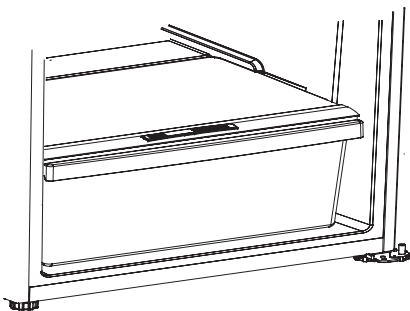
# FEATURES AND USE CONT.

## CRISPERS AND CRISPER COVER

To remove and install the crisper: (see Fig. # 10)

1. Grip the crisper firmly and slide out completely.
2. Replace the crisper by placing the crisper properly in position and gently sliding it back into place.

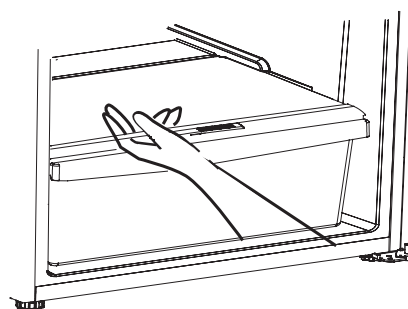
Fig. 10



## REMOVING OR REPLACING THE CRISPER COVER

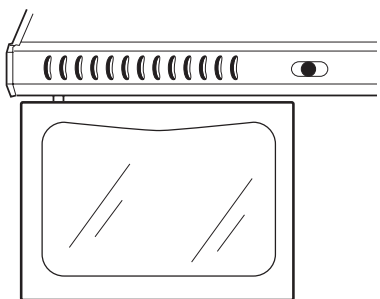
1. Carefully grasp the crisper cover and slide out to remove. (Fig. 11)

Fig. 11



2. To replace, slide the rear of the crisper cover into the right and left slots above the crisper area and gently slide back into place.

Your refrigerator is equipped with a slide control to raise or lower the humidity levels or your crispers. This feature will increase the storage life of your fruits and vegetables. Simply adjust the controls to the appropriate setting for items you are storing in the crispers. Low settings allow moist air to exit the crisper, for optimum storage of fruit and/or vegetables that have skins. High settings retains moist air in the crisper, for optimum storage of leafy fresh vegetables.



# FOOD STORAGE INFORMATION

## FRESH FOOD:

- When storing fresh food that is not prepackaged, be sure to wrap or store food in airtight and moisture proof material unless otherwise noted. This will ensure proper shelf life and prevent the transfer of odors and tastes.
- Wipe containers before storing to avoid needless spills.
- Eggs should be stored in an upright position in their original carton to maximize shelf life.
- Fruit should be washed and dried, then stored in sealed plastic bags before storing in the refrigerator.
- Vegetables with skins should be stored in plastic bags or containers.
- Leafy vegetables should be washed and drained and then stored in plastic bags or containers.
- Hot food should be allowed to cool before storing in the refrigeration. This will prevent unnecessary energy use.
- Fresh seafood should be used the same day as purchased.
- When storing meats in the fresh food section, keep in the original packaging or rewrap as necessary.

### These are some suggestions for safe storage:

- Chicken 1-2 Days
- Ground Beef 1-2 Days
- Cold Cuts 3-5 Days
- Steaks/Roasts 3-5 Days
- Smoked/Cured Meats 7-10 Days

For detailed storage chart visit FDA website:  
[www.cfsan.fda.gov/~dms/fttstore.html](http://www.cfsan.fda.gov/~dms/fttstore.html)

## FROZEN FOOD

- Wipe containers before storing to avoid needless spills.
- Hot food should be allowed to cool before storing in the freezer. This will prevent unnecessary energy use.
- When storing meats, keep in the original packaging or rewrap as necessary.
- Proper freezer storage requires correct packaging. All foods must be in packages that do not allow the flow of air or moisture in or out. Improper storage will result in odor and taste transfer and will result in the drying out of the improperly packaged food.
- Follow package or container instructions for proper storage.
- Packaging Recommendations:
  - Plastic containers with air tight lids
  - Heavy duty aluminum foil
  - Plastic wrap made from saran film
  - Self-sealing plastic bags
- Do not refreeze defrosted/thawed foods.
- It is recommended that the freezing date be marked on the packaging.

### These are some suggestions for safe storage:

- TV Dinners 3 - 4 Months
- Fresh Shrimp, scallops, crawfish 3 - 6 Months
- Hamburger & stew meats 3 - 4 Months
- Ground Turkey, veal, pork 3 - 4 Months
- Chops 4 - 6 Months
- Steaks 6 - 12 Months
- Chicken or Turkey 6 - 8 Months

For detailed storage chart visit FDA website:  
[www.cfsan.fda.gov/~dms/fttstore.html](http://www.cfsan.fda.gov/~dms/fttstore.html)

# CARE AND MAINTENANCE

## WARNING

Before cleaning your refrigerator, ALWAYS unplug it from the power source. Failure to heed this warning could result in injury or death from electric shock.

**NOTE:** Before using any cleaning products, be sure to read the manufacturer's instructions and warnings. This will help avoid personal injury or damage to property.

### INTERIOR CLEANING:

Prepare a cleaning solution of 3-4 tablespoons of baking soda mixed with warm water. Use a sponge or soft cloth, dampened with the cleaning solution, to wipe the inside of your refrigerator.

Avoid cleaning any cold glass (shelves, crisper cover glass, etc.) with hot water. The glass can break and cause personal injury. Handle all glass parts with care at all times.

Do not attempt to wash any parts in a dishwasher.

Do not use harsh chemicals, ammonia, chlorine bleach, concentrated detergent, solvents, abrasives or metal scouring pads to clean your refrigerator, inside or out. They can damage and/or discolor the refrigerator finish.

### EXTERIOR CLEANING:

Use a clean, soft, lightly dampened cloth with kitchen appliance wax or a mild detergent to clean the exterior of the refrigerator.

Use a clean, soft, lightly dampened cloth with warm soapy water to clean the handles and trim. Use a clean, soft towel to dry.

For stainless steel models, use a dry cloth and stainless steel polish.

Door gaskets should be cleaned every three months following the instructions for interior cleaning. Clean gaskets will maintain a better seal than dirty gaskets. Lightly apply petroleum jelly to the hinge side of the gaskets to keep the gasket pliable and assure a good seal.

Never use a dirty cloth to clean the exterior of the refrigerator. Dirty cloths may leave residue on the refrigerator that can damage the finish. Also, avoid the use of harsh chemicals, ammonia, chlorine bleach, concentrated detergent, solvents, abrasives or metal scouring pads to clean the outside of the refrigerator.

### LED LIGHTING SERVICE

## WARNING

DO NOT change the LED light by yourself, please contact the after-sale service for your replacement. Failure to heed this warning could result in injury or death from electric shock.

### CLEANING & MAINTENANCE

#### WARNING

To avoid electric shock, always unplug your refrigerator before cleaning. Ignoring this warning may result in death or injury.

#### CAUTION

Before using cleaning products, always read and follow manufacturer's instructions and warnings to avoid personal injury or product damage.

#### General

Prepare a cleaning solution of 3-4 tablespoons of baking soda mixed with warm water. Use sponge or soft cloth, dampened with the cleaning solution, to wipe down your refrigerator.

- Rinse with clean warm water and dry with a soft cloth.
- Do not use harsh chemicals, abrasives, ammonia, chlorine bleach, concentrated detergents, solvents or metal scouring pads. Some of these chemicals may dissolve, damage and/or discolor your refrigerator.

# CARE AND MAINTENANCE

## Door Gaskets:

Clean door gaskets every three months according to general instructions. Gaskets must be kept clean and pliable to assure a proper seal.

- Petroleum jelly applied lightly on the hinge side of gaskets will keep the gasket pliable and ensure a good seal.

**!** **DANGER** - Risk of Fire or Explosion due to puncture of refrigerant tubing. Flammable refrigerant used. Do not use metal instruments during cleaning process. Do not puncture refrigerant tubing.

## MAINTENANCE

Risk of Fire or Explosion. Flammable refrigerant used. Do not puncture refrigerant tubing. To be repaired only by trained authorized service personnel. Consult Repair Manual before attempting to service this product. All Safety Precautions Must be followed. Component parts shall be replaced with like components to minimize the risk of possible ignition due to incorrect parts or improper service.

## POWER INTERRUPTIONS

In the event of a power interruption, unplug your refrigerator from the power source. Avoid opening the doors until after power has been restored. Your refrigerator will maintain a cold temperature for longer if door opening is avoided or kept to a minimum.

Once power has been restored, plug your refrigerator back into the power source and inspect food in the refrigerator for spoilage or thawing. Cleaning your refrigerator after a prolonged power outage is strongly recommended to avoid odors and potential health hazards due to thawing.

## VACATION

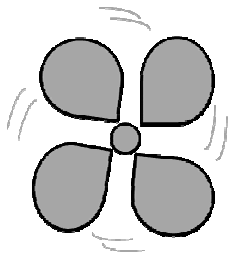
For long vacations or absences, unplug your refrigerator and remove all food from it. Turn the temperature control knob in the refrigerator section to the OFF position and clean the refrigerator, including the gaskets, according to the Proper Care and Maintenance section. Leave the doors propped open to allow air to circulate inside the refrigerator.

## MOVING

Before moving your refrigerator, empty the food from it and use adhesive tape to secure all loose items such as shelves, door bins and racks, crispers and pans, etc. and unplug it. Always move the refrigerator in an upright position in order to avoid damaging the sealed refrigerant system.

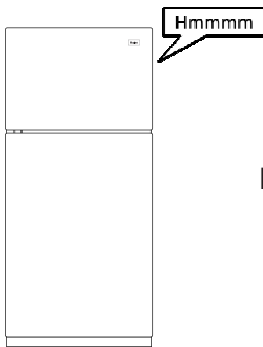


# NORMAL OPERATING SOUNDS



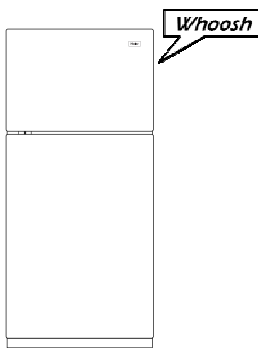
Whirring

There is a fan inside your refrigerator which helps to maintain the temperature you have selected. Whirring is common when the refrigerator is first plugged in, when the doors have been opened often or for an extended period of time and when a large amount of food has been added.



Humming

This is a common noise that comes from the compressor and is a part of making your refrigerator run efficiently.



Whooshing

It is possible that you may hear a whooshing noise when closing the doors. This is no cause for concern. It is simply the pressure in the refrigerator equalizing.



Cracking

Sizzling

- There are a lot of things going on in your refrigerator at any given time. Additional noises you may hear, and possible causes include:
- Gurgling is most likely due to the circulation of refrigerant through the cooling coils.
- Sizzling or popping sounds can be frost melting and falling onto the defrost heater during the defrost cycle.
- Clicking or chirping may be heard as the compressor attempts to re-start.
- Cracking or popping noises may be from the expansion and contraction of cooling coils during and after the defrost cycle.
- Also, when your refrigerator is first plugged in, the foam insulation in the walls will cool and contract, which can result in cracking or popping noises.
- The defrost timer and thermostat control will click as each cycles on and off.

If the refrigerator has been placed in a horizontal position for any period of time, wait 24 hours after returning it to the upright position before plugging it in.

## ➔ IMPORTANT

During the automatic defrost cycle, you may notice a red glow in the vents on the back wall of your freezer compartment. This is normal during the defrost cycle.

# TROUBLESHOOTING

PROBLEM	POSSIBLE CAUSE(S)	SOLUTION
Refrigerator does not run	Refrigerator is unplugged	Plug power cord into power source
	Breaker is tripped or turned off / Fuse is blown	Reset / Turn on breaker or replace fuse
	Refrigerator is in defrost mode	Wait about 40 minutes for defrost cycle to end and cooling system to restart
Refrigerator or freezer is too warm	Temperature control is not set low enough	Turn temperature knob clockwise to adjust to a lower temperature; allow 24 hours to adjust
	Doors opened frequently or left open	Keep door closed / Check that a package isn't preventing door from closing
	Warm food added recently	Allow time for food and refrigerator to cool
	Items against back of compartments are blocking proper airflow	Store items only inside the trim of the glass shelves; don't place items against sides of the compartments or directly in front of any vents
Refrigerator or freezer is too cold	Temperature control is set too low	Turn knob counter-clockwise to change to a warmer setting; allow 24 hours to adjust
Refrigerator compressor runs frequently or for long periods of time	Normal when first plugged in	Allow 24 hours for the refrigerator to cool down
	Warm or large amounts of food added	This is normal
	Door is left open	Ensure that door is not being held open by an item
	Hot weather or frequent openings	This is normal
	Temperature control set to coldest setting	Adjust knob to a warmer setting
Moisture on exterior/interior of refrigerator	High humidity	This is normal; Dry surface and adjust temperature knob to slightly colder setting
	Doors opened frequently or left open	Keep door closed / Check that a package isn't preventing door from closing
	Open container of water in refrigerator	Cover or seal container
Refrigerator has an odor	Food is not sealed or packaged properly	Re-seal packaging / Place an opened box of baking soda in the refrigerator, replace every three months
	Interior needs to be cleaned	Follow cleaning instructions in Proper Care and Maintenance section
Light does not come on	Refrigerator is unplugged	Plug refrigerator in to power source
	LED light is burned out	Follow instructions in LED Light Replacement section
	Not all models come with a freezer light	

# TROUBLESHOOTING CONT.

PROBLEM	POSSIBLE CAUSE(S)	SOLUTION
Frost or ice crystals on frozen food	Freezer door left open or opened frequently	Turn knob counter-clockwise to change to a warmer setting; allow 24 hours to adjust
	Items blocking freezer air vents and preventing proper air flow	Move items away from rear wall
Food freezing in refrigerator	Food placed too close to the air vent	Move items away from back and top of the refrigerator
	Temperature control knob set too low	Adjust the knob counter-clockwise to a warmer setting
Freezer door pops open when closing the refrigerator door	Normal if freezer door closes afterwards on its own	This indicates a good seal if freezer door closes on its own
	If freezer doesn't close on its own after popping open, adjust leveling legs	See leveling leg feature instructions in Installing Your Refrigerator section
Door does not close properly	Refrigerator isn't level	See leveling leg feature instructions in Installing Your Refrigerator section
	Something is obstructing door closure	Check for and remove obstructions
Vibration or rattling	Refrigerator is not resting firmly on floor	See leveling leg feature instructions in Installing Your Refrigerator section

# CUSTOMER SERVICE

## IMPORTANT

### **DO NOT RETURN THIS PRODUCT TO THE STORE**

If you have a problem with this product, please contact the Summit Satisfaction Center at 1-800-287-8799 or 718-328-8700.

**DATED PROOF OF PURCHASE, MODEL # AND SERIAL #  
REQUIRED FOR WARRANTY SERVICE**

# SUMMIT LIMITED WARRANTY

Summit Appliances warrants this product to be free from defects in materials and workmanship for a period of one year from the date of original purchase or delivery with an additional 4 years parts only on the compressor. Any parts determined to be defective will be replaced by SUMMIT at no charge to you. Plastic parts, liners and outer cabinets are warranted to be manufactured to commercially acceptable standards and free from defects at the time of delivery.

This limited warranty does not apply to:

1. Improper installation.
2. Customer misuse, negligence or damage.
3. Incorrect electrical current.
4. Products with the serial number altered or removed.
5. Products sold or used outside the fifty United States or the District of Columbia.

6. Commercial or Industrial Users.
7. Damage to this product from accidents, alterations, failure to follow instructions, fire, floods, earthquakes, war, civil disturbance or Acts of God.

SUMMIT is not liable for consequential or incidental damage.

SUMMIT APPLIANCE DIV.  
 FELIX STORCH, INC.  
 770 GARRISON AVENUE  
 BRONX, NY 10474  
 (718) 328-8700

**⚠ WARNING**

This product may contain chemicals known to the state of California to cause cancer or birth defects or other reproductive harm. For more information, visit: [www.summitappliance.com/prop65](http://www.summitappliance.com/prop65)

Chemicals known by the manufacturer to be present in this product in concentrations higher than threshold limits: NONE.

**FACTORY REGISTRATION CARD**  
**THANK YOU FOR PURCHASING A QUALITY SUMMIT® APPLIANCE**

Summit Model Number \_\_\_\_\_ Serial \_\_\_\_\_

Customer's Name \_\_\_\_\_ Date of Delivery \_\_\_\_\_

Address \_\_\_\_\_ Apt. No. \_\_\_\_\_

City \_\_\_\_\_ State \_\_\_\_\_ Zip \_\_\_\_\_

Dealer's Name \_\_\_\_\_ City \_\_\_\_\_ State \_\_\_\_\_

**Is this Unit for:**  Private Home  Apartment  Office  Other

**Reasons for selecting this unit:**  Dealer  Recommendation  Size  Price  Other

For parts and accessory ordering, troubleshooting and helpful hints, visit:  
[www.summitappliance.com/support](http://www.summitappliance.com/support)



Model #FF1075W, FF1078B, FF1077SS,  
FF1375W, FF1376SS  
Issued: December 2014  
115 V, 60 Hz

Made in China  
Fabriqué en Chine  
Hecho en China

Summit Appliance Division  
Felix Storch, Inc.  
Bronx, NY 10474