

RNR30NS, RNR30NFS, RNR30NIS, RNR30NIFS



Renaissance® 30" Wide Electric Induction Range

PLANNING GUIDE

Model Versions

Model	Configuration	Handle Type
RNR30NS[-C]*	Freestanding, (full size side panels)	Mounted on outside of door
RNR30NFS[-C]*	Freestanding, (full size side panels)	Flush handle, integrated in door
RNR30NIS[-C]*	Built-in/Slide-in (3" removable side panels)	Mounted on outside of door
RNR30NIFS[-C]*	Built-in/Slide-in (3" removable side panels)	Mounted on outside of door

* Order -C option for corded wiring configuration, see page 3/5 for details.

⚠ WARNING

- Observe all governing codes and ordinances during planning and installation. Contact your local building department for further information.
- This appliance must be installed in accordance with the accompanying installation instructions.

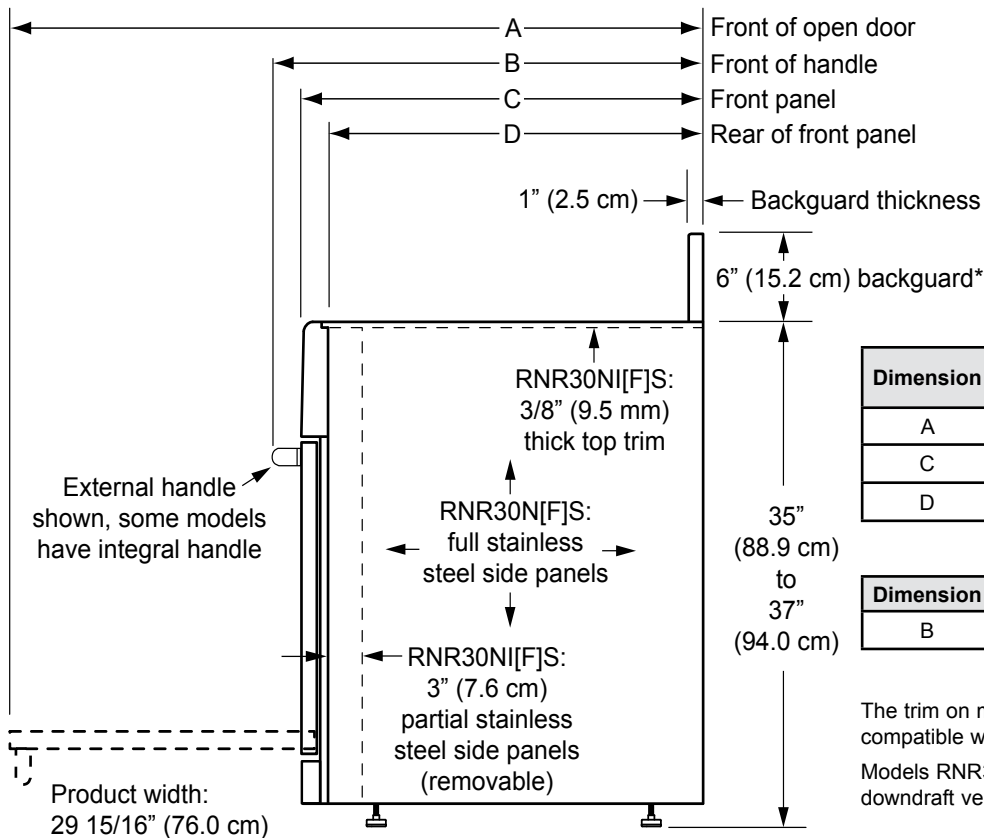
Available Backguard

Part Number	Description	Compatibility
ADRB30E06	6 Inch	Standard on models RNR30NS, RNR30NFS, Optional on models RNR30NIS, RNR30NIFS

Models RNR30NIS and RNR30NIFS come equipped from the factory with flat stainless trim piece in place of a backguard. A backguard may be purchased as an optional accessory. Add an additional 1/16 inch to depth dimensions below when installing a backguard on models RNR30NIS and RNR30NIFS.

Product Dimensions

All tolerances ±1/16" (±1.6 mm) unless otherwise noted.



Dimension	RNR30NS, RNR30NFS	RNR30NIS, RNR30NIFS
A	46 1/4" (117.5 cm)	46 1/16" (117.0 cm)
C	25 1/2" (64.8 cm)	25 5/16" (64.3 cm)
D	23 3/8" (59.4 cm)	23 3/16" (58.9 cm)

Dimension	RNR30NS	RNR30NIS
B	27 7/8" (70.8 cm)	27 11/16" (70.3 cm)

The trim on models RNR30NS and RNR30NFS are not compatible with a downdraft vent.

Models RNR30NIS and RNR30NIFS are compatible with Dacor downdraft vent model ERV3015 only.

*See table for compatibility

OVERALL DEPTH DIMENSIONS - SIDE VIEW



RNR30NS, RNR30NFS, RNR30NIS, RNR30NIFS

Document # PG05-011

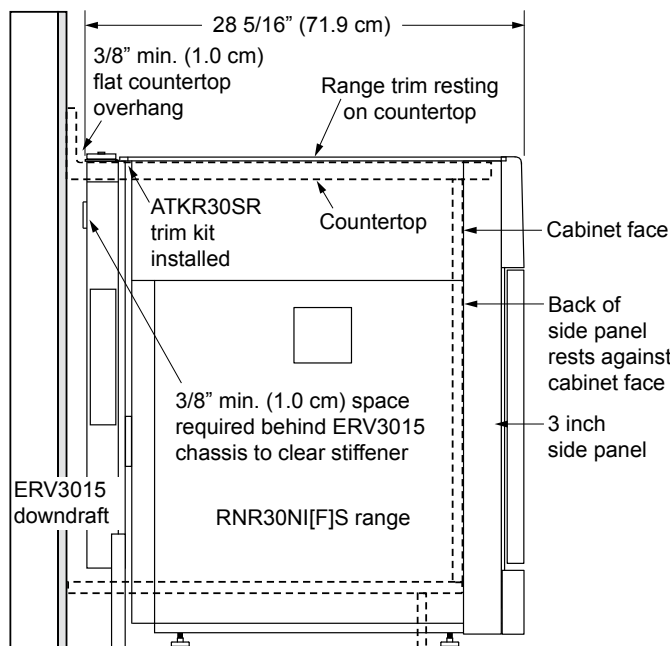
Revised 01/28/15 Page 2/5



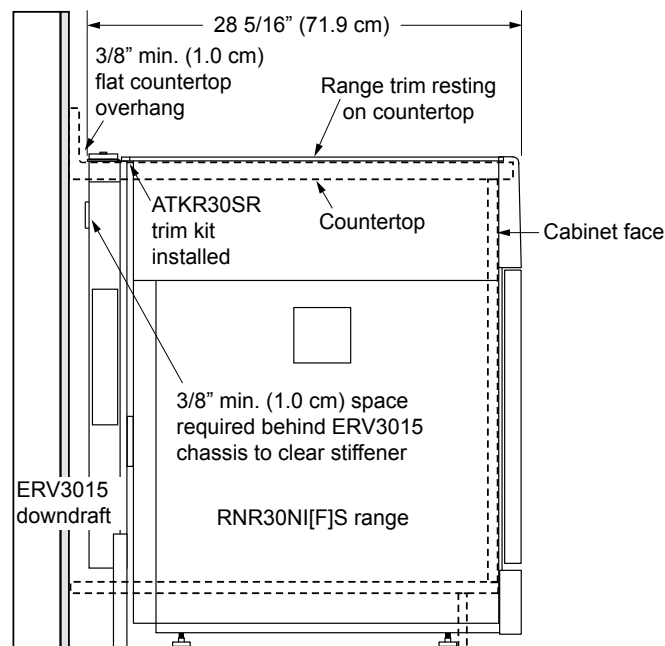
Renaissance 30" Wide Electric Induction Range

PLANNING GUIDE

Product Dimensions (cont.)



SIDE VIEW - DOWNDRAFT ERV3015 WITH SLIDE-IN, SELF-RIMMING INSTALLATION WITH 3" SIDE PANELS INSTALLED AND ATKR30SR TRIM KIT (REQUIRED) INSTALLED



SIDE VIEW - DOWNDRAFT ERV3015 WITH SLIDE-IN, SELF-RIMMING INSTALLATION WITH 3" SIDE PANELS REMOVED AND ATKR30SR TRIM KIT (REQUIRED) INSTALLED

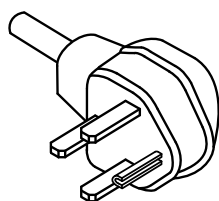
Electrical Specifications

ELECTRICAL REQUIREMENTS	
Electrical Circuit Required	Total Connected Load**
240 Vac 60 Hz, 4 wire*, 50 Amp.	11.5 kW (48.0 Amp.)

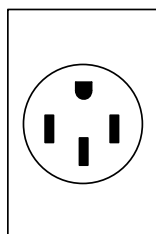
*Two 120 Vac hot (L1 and L2), one neutral (N1) and one ground.

**This information above is for reference only. If the above data does not agree with the product data label, use the data on the product data label.

IMPORTANT: Models with -C option suffix are ranges that come with a factory installed 4-wire appliance cord with NEMA 14-50P plug. For freestanding ranges installed in Canada, a factory installed 4-wire appliance cord with NEMA 14-50P plug is required, without modification. For slide-in ranges installed in Canada and all ranges installed outside of Canada, the 4-wire appliance cord configuration (-C type) is optional and may be utilized where local codes permit. The plug is designed to plug directly into a NEMA 14-50R electrical receptacle installed by a licensed electrician according to the above specifications.



NEMA 14-50P PLUG



NEMA 14-50R RECEPTACLE

Factory Wiring

Model	Factory Electrical Connection
RNR30NS, RNR30NFS	Power cord not installed. Not for installation in Canada.
RNR30NS-C, RNR30NFS-C	Cord connected, for installation in Canada (and U.S.A., where local codes permit).
RNR30NIS, RNR30NIFS	No power cord. May be installed in Canada and U.S.A.
RNR30NIS-C, RNR30NIFS-C	Cord connected, may be installed in Canada and U.S.A., where local codes permit.

RNR30NS, RNR30NFS, RNR30NIS, RNR30NIFS

Document # PG05-011

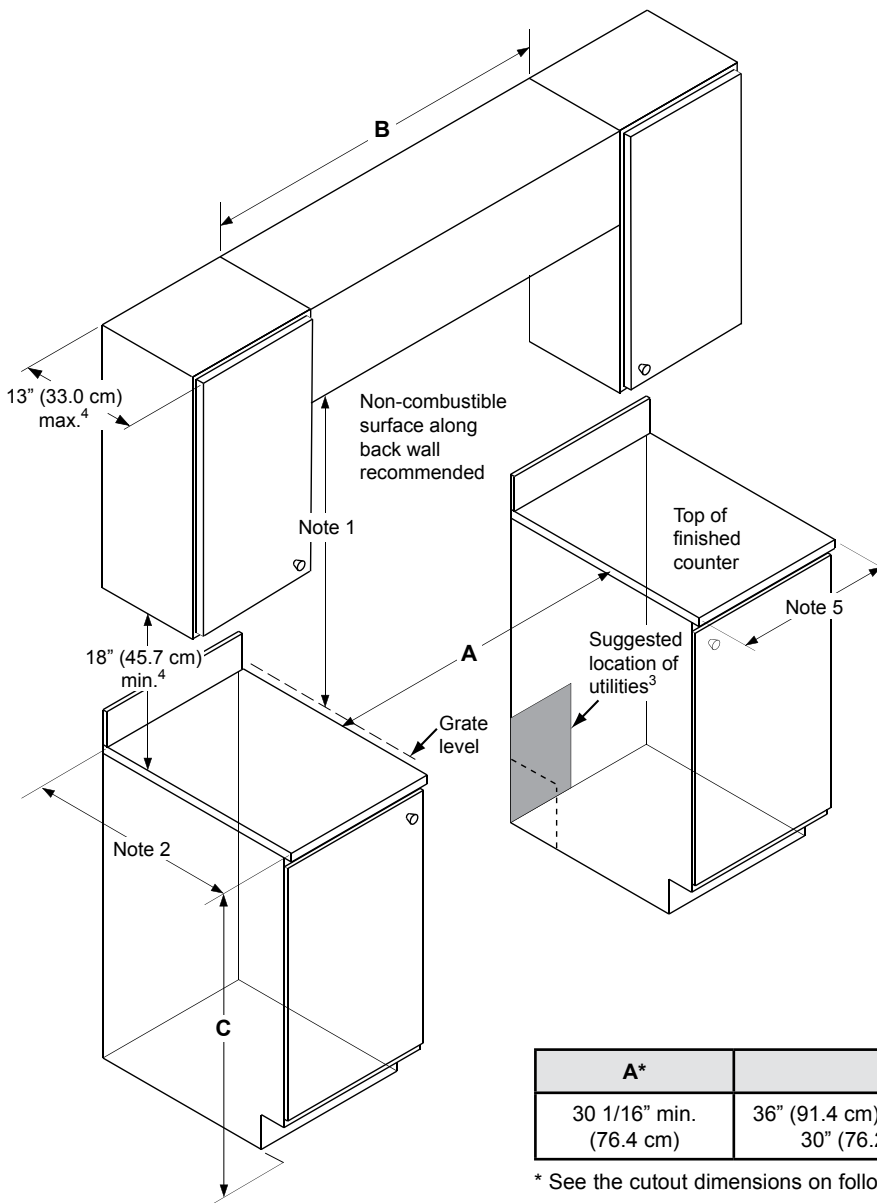
Revised 01/28/15 Page 3/5



Renaissance 30" Wide Electric Induction Range

PLANNING GUIDE

All tolerances +1/16" (+1.6 mm), -0 unless otherwise noted.



- Failure to meet or exceed the maximum and minimum dimensions/clearances stated may result in a fire hazard.
- The shaded area shown denotes the location of the electrical junction box/receptacle. This is the suggested location. For replacement purposes, the location of the existing electrical supply may be utilized provided that it does not interfere with the sides or rear of the range.
- Access to the remote circuit breaker panel/fuse box, with the range in place and operating, must also be allowed for in the installation.
- The electrical junction box/receptacle must be located so that it does not interfere with the range when it is installed and under operation. In addition, the junction box/receptacle must be located so the range can be removed for service and remain connected to power.
- To eliminate the risk of burns or fire by reaching over heated surface units, cabinet storage space located above surface units should be avoided. If cabinet storage space is to be provided directly above the range, the risk of personal injury may be reduced by installing a range hood.
- In all instances, installation of a range hood is highly recommended. The hood should project horizontally a minimum of five (5) inches beyond the face of the cabinets. See the range hood specifications for minimum clearances.
- The range may be installed flush to the rear wall. See diagram and notes for rear wall surface requirements. It is not necessary to install non-combustible materials behind the range below the countertop height.
- Any openings in the wall behind the appliance or in the floor underneath it must be sealed.

A*	B	C
30 1/16" min. (76.4 cm)	36" (91.4 cm) recommended 30" (76.2 cm) min.	35" (88.9 cm) min. 37" (94.0 cm) max.

* See the cutout dimensions on following page for self-rimming installations.

FREESTANDING INSTALLATION CABINET CUTOUT DIMENSIONS - RNR30NS, RNR30NFS, RNR30NIS AND RNR30NIFS

¹30" (76.2 cm) min. vertical clearance from top of range grates to bottom of uncovered wood or metal cabinet. 24" (61 cm) min. clearance if bottom of wood or metal cabinets are protected by not less than 1/4" (0.6 cm) flame retardant millboard covered with no less than No. 28 MSG sheet steel 0.015" (0.04 cm) stainless steel, or 0.024" (0.06 cm) aluminum or 0.020" (0.05 cm) copper. If installing range hood, check the hood specifications for minimum required clearances.

²Cabinet/countertop depth is at discretion of customer but cabinet face SHALL NOT protrude further than rear of front panel. See **Product Dimensions**.

³Consult local code and following pages for requirements.

⁴This specification not applicable for cabinets more than a horizontal distance of 1" (2.6 cm) min from edge of range.

⁵1" (2.6 cm) min. to combustible sidewalls above range (both sides).

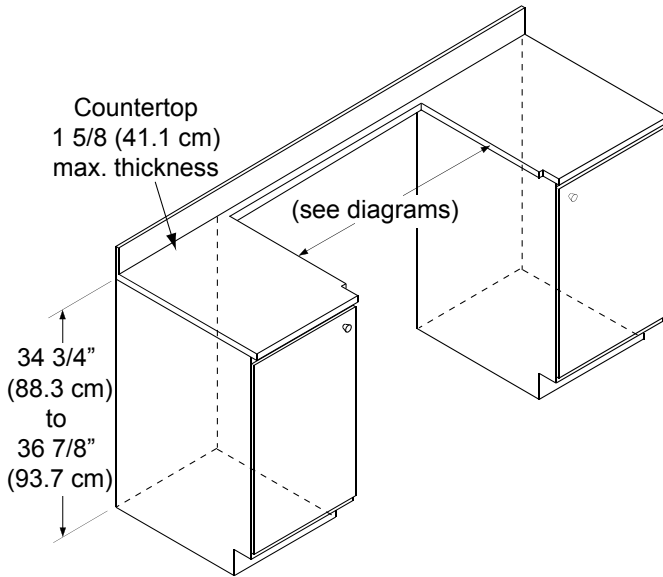
RNR30NS, RNR30NFS, RNR30NIS, RNR30NIFS



Renaissance 30" Wide Electric Induction Range

PLANNING GUIDE

Cabinet Cutouts for Self-Rimming Installation (Models RNR30NIS and RNR30NIFS Only)



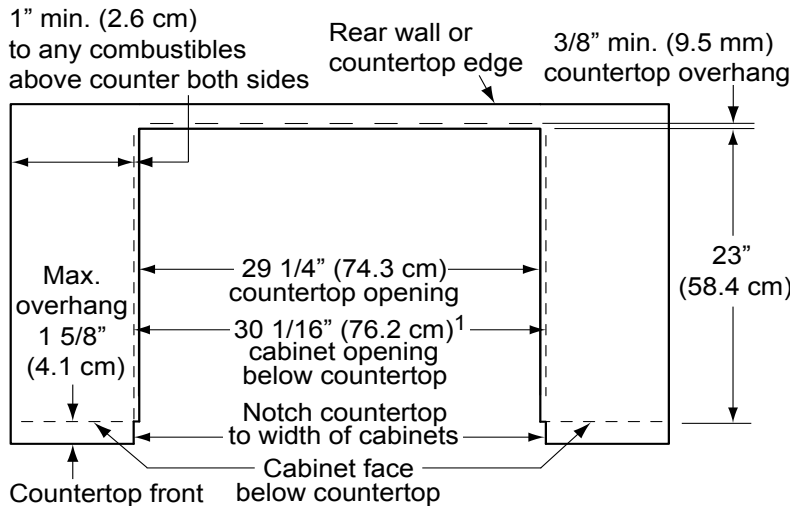
All tolerances +1/16" (+1.6 mm), -0 unless otherwise noted.

Countertop height: 34 3/4" (88.3 cm) min.

36 7/8" (93.7 cm) max.

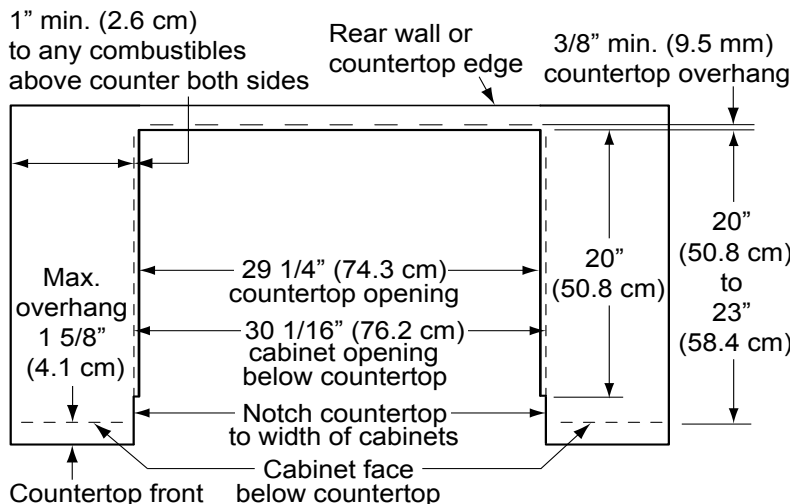
Countertop thickness: 1 5/8" (4.1 cm) max.

- The self-rimming installation of the RNR30NI[F]S range creates a "built-in" look where the range trim overlaps the countertop on both sides and in back.
- Observe all vertical cabinet clearances on page 3/5.
- On self-rimming installations when sliding the range into position, it will stop when the rear of the control panel or side panels contact the notches toward the front of the countertop.



TOP VIEW - SLIDE-IN, SELF-RIMMING INSTALLATION, 3" SIDE PANELS REMOVED MINIMUM REQUIRED CABINET DEPTH: 23 3/8"

¹ To create a "built-in look" on the front of the cabinet, this dimension may be changed to 29 1/4" (74.3 cm), with the width at the notches remaining 30 1/16". This configuration is only for models RNR30NIS and RNR30NIFS with side panels behind door removed.



TOP VIEW - SLIDE-IN, SELF-RIMMING INSTALLATION, 3" SIDE PANELS INSTALLED CABINET DEPTHS 20 3/8" TO 23 3/8"

RNR30NS, RNR30NFS, RNR30NIS, RNR30NIFS

Document # PG05-011

Revised 01/28/15 Page 5/5



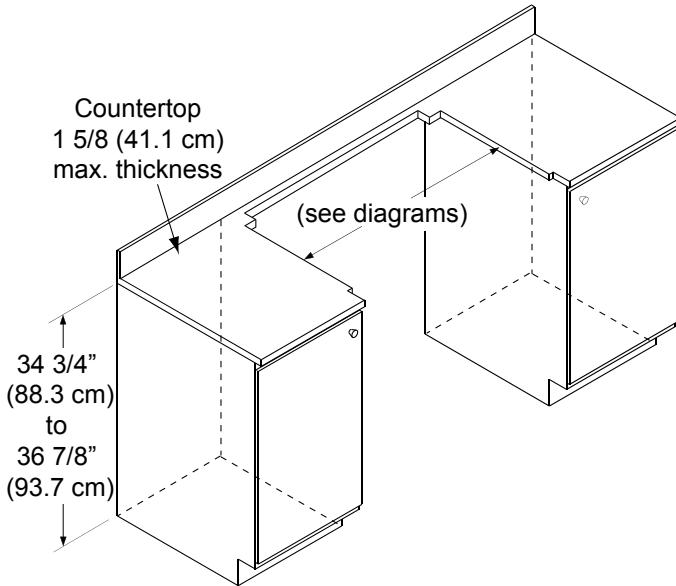
Renaissance 30" Wide Electric Induction Range

PLANNING GUIDE

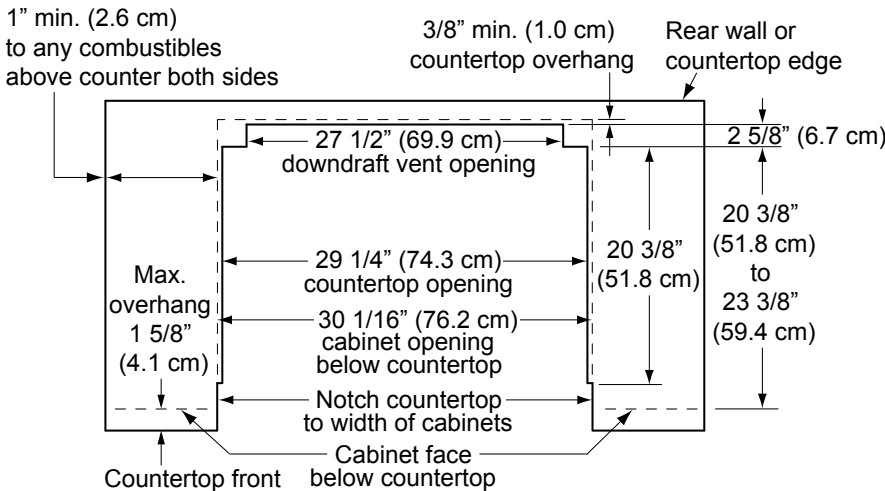
Cabinet Cutouts for Self-Rimming Installation (Models RNR30NIS and RNR30NIFS Only)

All tolerances +1/16" (+1.6 mm), -0 unless otherwise noted.

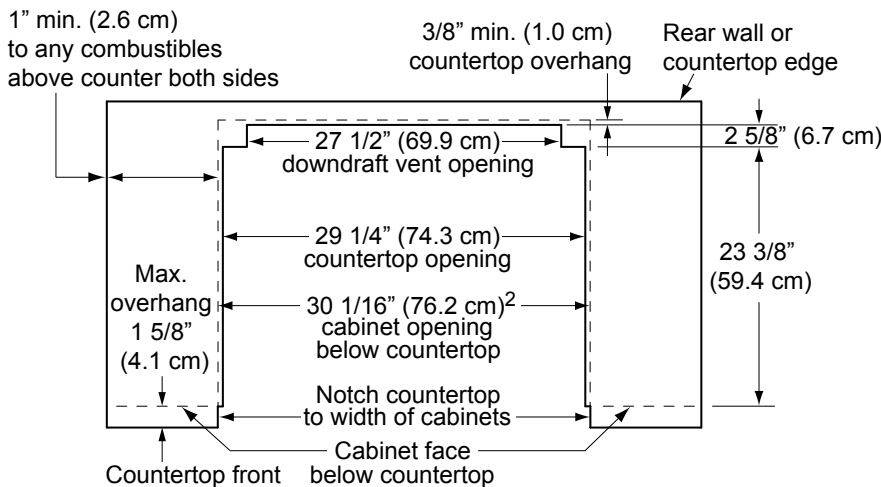
Countertop height: 34 3/4" (88.3 cm) min.
36 7/8" (93.7 cm) max.
Countertop thickness: 1 5/8" (4.1 cm) max.



- Trim kit PN ATKR30SR is required for proper installation of a downdraft vent with this range.
- The self-rimming installation of the RNR30NI[F]S range and ERV3015 downdraft vent create a "built-in" look where the range trim overlaps the countertop on both sides and the downdraft vent trim overlaps the countertop in back. The ATKR30SR trim kit, installed on the back of the range, will cover the front of the downdraft vent chassis.
- Observe all vertical cabinet clearances on page 3/5.
- A self-rimming countertop configuration is required for downdraft vent installation. On installations with a downdraft vent, when sliding the range into position, it will stop when the rear of the control panel or side panels contact the notches toward the front of the countertop.



**TOP VIEW - DOWNDRAFT ERV3015 WITH SLIDE-IN, SELF-RIMMING INSTALLATION, 3" SIDE PANELS INSTALLED
CABINET DEPTHS 23 3/8" TO 26 3/8"**



**TOP VIEW - DOWNDRAFT ERV3015 WITH SLIDE-IN, SELF-RIMMING INSTALLATION, 3" SIDE PANELS REMOVED
MIN. REQUIRED CABINET DEPTH: 26 3/8"**

² To create a "built-in look" on the front of the cabinet, this dimension may be changed to 29 1/4" (74.3 cm), with the width at the notches remaining 30 1/16". This configuration is only for models RNR30NIS and RNR30NIFS with side panels behind door removed.