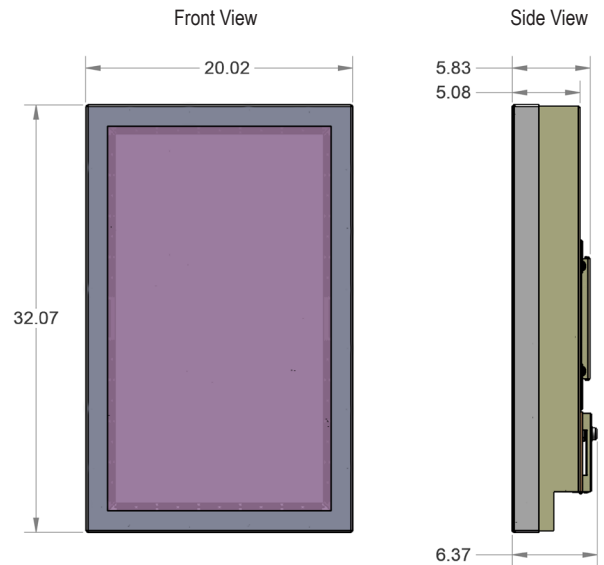


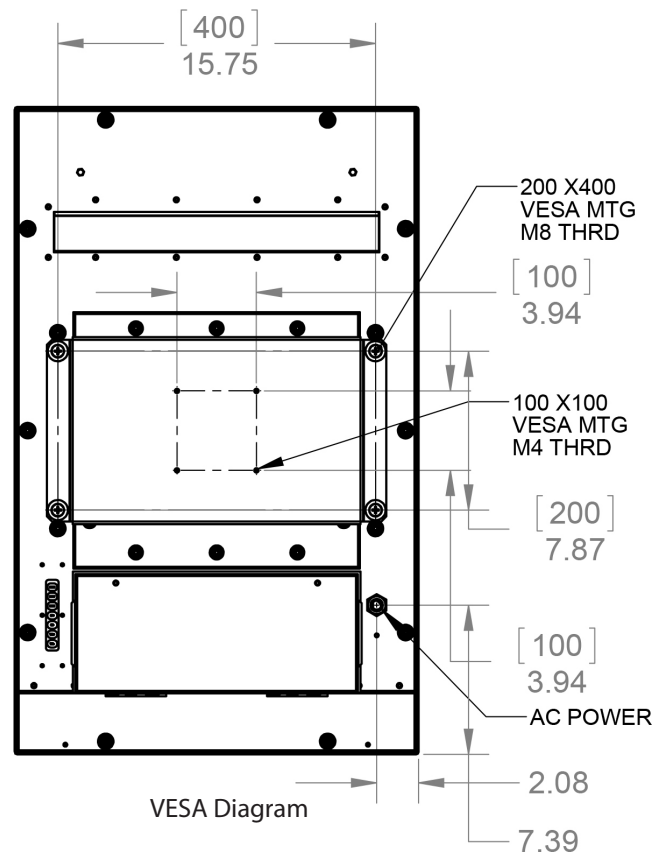
# Specifications

LCD Screen	31.5-inch diagonal Color Active Matrix TFT LED LCD
Resolution	1920 x 1080, Full HD 1080p
Frame Rate	60 Hz
Aspect Ratio	16:9
Contrast Ratio	1400:1
H/V Viewing Angle	178° x 178°
Response Time	6.0 milliseconds
TV formats	1080p, 1080i, 720p, 720i, 480i, 480p
Input Connectors:	
RF	Antenna/CATV (NTSC/ATSC/QAM)
HDMI	HDMI Input x2
Video Composite	S-Video x1 and Composite Video x1, L/R Audio Inputs x1
Video Component	YCbCr/YPbPr x2 and audio L/R channels x2
PC	15-pin D-sub VGA plus Stereo Audio
Control Set	RS232 Serial, Discrete IR, Concealed IR Window
Audio Out	SPDIF Audio (fixed) Analog 1/8" Headphone Jack (variable)
Speakers	10-watt x 2 channel water resistant detachable speaker module (Optional)
Exterior	Powder-coated aluminum
Input Power	100-240 VAC, 50-60 Hz 2.0A Max (0.5 A @ 120 V)
Operating Temp.	-40° to 122° F. (-40° to 50° C.)*
Non-op. Temp. (Off-mode with power applied)	-40° to 140° F. (-40° to 60° C.) The non-operating temperature feature requires power to be applied
Accessories Included	Weather-proof Remote Control
TV Dimensions	20.02" W x 32.07" H (34.17" H with optional speaker module) x 6.37" D
TV Weight	41.0 lbs., 45.0 lbs. with optional speaker module
Residential Warranty	Two-year, in-factory, parts and labor
Commercial Warranty	Two-year, in-factory, parts and labor
Mount Patterns	200mm x 400mm, 100mm x 100mm

SunBriteTV Model DS-3214P



TV Dimensions are:  
32.07 in. W x 20.02 in. H x 6.37 in. D



VESA Diagram

08.21.14

Specifications are subject to change