

CL63FDOS

34.5" x 23.88" x 23.88" (H x W x D)

Dual zone outdoor wine/beverage center for built-in or freestanding use, with French door swing, stainless steel construction, and digital controls

Highlights:

Weatherproof design with 304 grade stainless steel construction

French door swing with independent temperature zones for wine and beverage storage

Flexible design allows built-in or freestanding use in 24" wide spaces

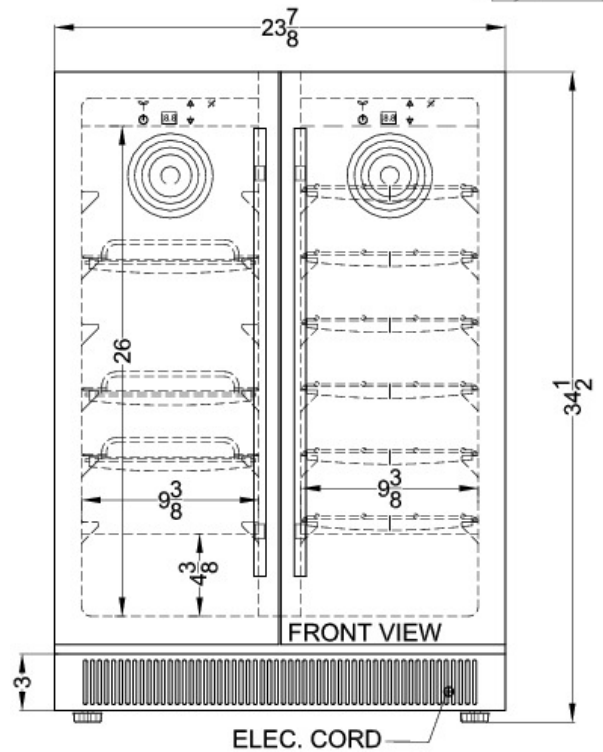
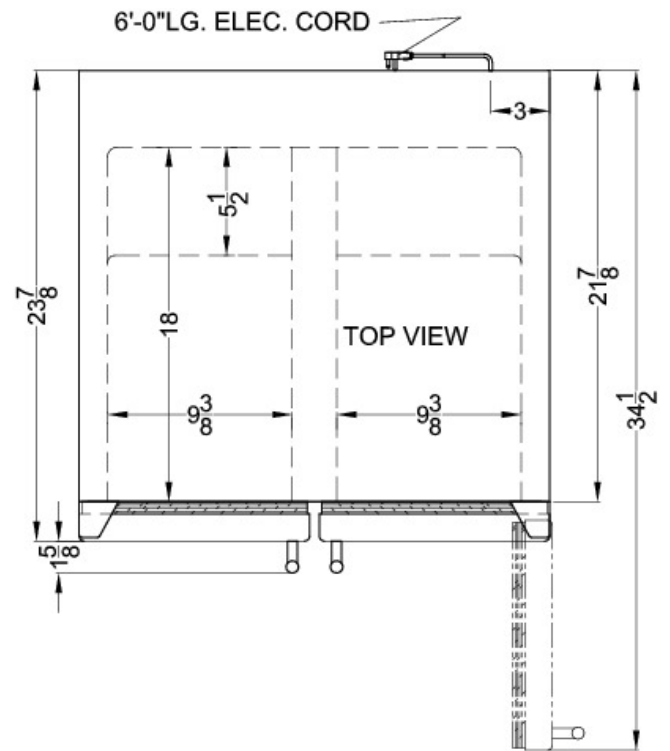
Both zones are illuminated by elegant LED lighting in a unique white hue



Weatherproof design	Solid construction allows placement in the outdoors
304 grade stainless steel exterior	Complete stainless steel construction ensures lasting durability and style
Two temperature zones	Independent temperature zones allow separate storage of wine and other beverages under the proper temperature conditions
Built-in capable	Make the best use of space by installing your unit under the counter and flush with other cabinets
French door swing	Two side-by-side doors with French door opening
Automatic defrost	Reduced maintenance with auto defrost system
Adjustable glass shelves	Frosted glass shelves with silver trim can accommodate up to 60 12 oz. cans inside the beverage section
Slide-out wine shelves	6 wine shelves are ideally sized to store up to 21 standard 750 ml bottles in the wine section, with a silver trimmed accent for an added touch of style
Digital thermostat	Intuitive touch controls located inside the unit make temperature adjustment simple, with a temperature display in Celsius or Fahrenheit
White LED lighting	Unique LED lighting in white hue inside both sections offers an elegant, energy efficient illumination

CL63FDOS Specifications:

Height	34.5"
Width	23.88"
Depth	23.88"
Capacity	5.1 cu.ft.
Ext Depth with Handle	25.5"
Interior Height 1	26.0"
Interior Width 1	9.38"
Interior Depth 1	18.0"
Interior Height 2	26.0"
Interior Width 2	9.38"
Interior Depth 2	18.0"
Comp Step Height	4.38"
Comp Step Width	9.38"
Comp Step Depth	5.5"
Shipping Weight	120.0 lbs.
Weight	101.0 lbs.
Canadian Electrical Safety	CSA
US Electrical Safety	CSA
Amps	2.2
Voltage/Frequency	115 V AC/60 Hz
Door Swing	French
Shelf Quantity	9
Adjustable Shelf	true
Shelf Type	Glass and Wire
Wine Bottle Holder	true
Wheel Quantity	4
Defrost Type	Automatic
Depth with door at 90°	34.5"
Fan Type	Interior and Exterior
Light	true
Thermostat Type	Digital
Low Side PSI	103.0
Refrigerant Type	R134a
Freon Oz	2.65
High Side PSI	250.0
Level Legs Quantity	2
Parts/Labor Warranty	1 Year
Compressor Warranty	5 Years



Summit Appliance Division, Felix Storch, Inc.
 770 Garrison Ave • Bronx, NY 10474
 Phone: 718-893-3900 • Fax: 718-842-3093
 Email: info@summitappliance.com