

Installation
Operation
and
Maintenance
Instructions

Keg Dispenser

61HK (Marvel)

60HK (Outdoor)



CONTENTS

Unpacking your refrigerator.....	3
Removing interior packaging.....	3
Warranty Registration.....	3
Installing your refrigerator.....	4
Selecting the location.....	4
Cabinet Clearances.....	4
Outdoor installation.....	4
Leveling legs.....	4
Electrical Connection	5
Setting the temperature control.....	5
Using Your Refrigerator.....	6
Shelving	6
Tap equipment and assembly	7
CO2 Regulator	10
Adjusting Pressures	10
Drain kit	11
Care and Cleaning.....	12
Cleaning and maintaining dispensing system	12
Tap cleaning kit	12
Faucet cleaning	12
Keg coupler cleaning	12
Cabinet	13
Interior	13
Care of unit	13
Energy Saving Tips	13
Dimensions For 61HK Solid Door.....	14
Recommended Rough in Opening Dimensions	14
For Model 61HK Solid Door.....	14
Dimensions for 60HK-SS Solid Door.....	15
Recommended Rough in Opening Dimensions	15
For Model 60HK-SS Solid Door.....	15
Dimensions For Model 61HK Solid Overlay Door.....	16
Recommended Rough in Opening Dimensions	16
For Model 61HK Solid Overlay Door.....	16
Dimensions For Model 60HK-SSX Solid Door.....	17
Full Overlay Panel Installation Instructions.....	18
Troubleshooting Guide.....	21
Obtaining Service.....	22
Household Product Warranty.....	23

Important Safety Instructions

Warnings and safety instructions appearing in this guide are not meant to cover all possible conditions and situations that may occur. Common sense, caution, and care must be exercised when installing, maintaining, or operating this appliance.

Recognize Safety Symbols, Words, and Labels.

WARNING

WARNING-Hazards or unsafe practices with high probability of personal injury or property / product damage.

CAUTION

CAUTION-Hazards or unsafe practices which could result in personal injury or property or product damage.

NOTE

NOTE-Important information to help assure a problem free installation and operation.



AGA MARVEL is committed to building a quality product in an environmentally friendly manner. Our processes are tightly controlled and closely monitored. We have achieved certifications in ISO 9001 for quality assurance, ISO 14001 for environmental management, and OHSAS 18001 for occupational health and safety from Lloyd's Register Quality Assurance.

UNPACKING YOUR REFRIGERATOR

WARNING

EXCESSIVE WEIGHT HAZARD

Use two or more people to move product.
Failure to do so can result in back or other injury.

Remove Interior Packaging

Your refrigerator has been packed for shipment with all parts that could be damaged by movement securely fastened. Remove internal packing materials and any tape holding internal components in place. The owners manual is shipped inside the product in a plastic bag along with the warranty registration card, and other accessory items.

Important

Keep your carton and packaging until your refrigerator has been thoroughly inspected and found to be in good condition. If there is damage, the packaging will be needed as proof of damage in transit. Afterwards please dispose of all items responsibly in particular the plastic bags which can be a suffocation hazard.

Note to Customer

This merchandise was carefully packed and thoroughly inspected before leaving our plant. Responsibility for its safe delivery was assumed by the retailer upon acceptance of the shipment. Claims for loss or damage sustained in transit must be made to the retailer.

DO NOT RETURN DAMAGED MERCHANDISE TO THE MANUFACTURER - FILE THE CLAIM WITH THE RETAILER.

CAUTION

If the unit was shipped or has been laying on its back for any period of time allow the refrigerator to sit upright for a period of at least 24 hours before plugging in. This will assure oil returns to the compressor. Plugging the refrigerator in immediately may cause damage to internal parts.

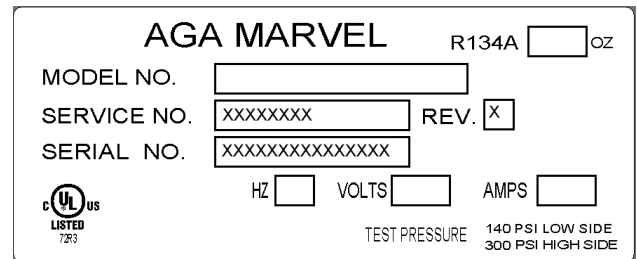
Warranty Registration

It is important you send in your warranty registration card immediately after taking delivery of your refrigerator.

The following information will be required when registering your unit.

Service Number
Serial Number
Date of Purchase
Dealer's name and address

The service number and serial number can be found on the serial plate which is located inside the cabinet on the left side near the top. See figure 1.




AGA MARVEL R134A oz

MODEL NO.

SERVICE NO. XXXXXXXX REV. X

SERIAL NO. XXXXXXXXXXXXXXXX

 HZ VOLTS AMPS

TEST PRESSURE 140 PSI LOW SIDE
300 PSI HIGH SIDE

Figure 1

CAUTION

Help Prevent Tragedies

Child entrapment and suffocation are not problems of the past. Junked or abandoned refrigerators are still dangerous - even if they sit out for "just a few days".

If you are getting rid of your old refrigerator, please follow the instructions below to help prevent accidents.

Before you throw away your old refrigerator or freezer:

- Take off the doors or remove the drawers.
- Leave the shelves in place so children may not easily climb inside.

INSTALLING YOUR REFRIGERATOR

Select Location

The proper location will ensure peak performance of your appliance. We recommend a location where the unit will be out of direct sunlight and away from heat sources. To assure your product performs to specifications the recommended installation location temperature range is from 65 to 80°F (18 to 27°C) for built-in units and 65 to 90°F (18 to 32°C) for freestanding units.

Cabinet Clearance

Ventilation is required from the bottom front section of the unit. Keep this area open and clear of any obstructions. Adjacent cabinets and counter top can be installed around the unit as long as the front grille remains unobstructed.

⚠ CAUTION

Outdoor Installation

Only the 6OHK model is suitable for outdoor installations.

Building codes may require a ground fault circuit interrupter electrical receptacle to supply electrical power to the refrigerator for outdoor applications. (See "Electrical Connection").

Do not install in a location where the unit will be exposed to direct sun exposure as this may result in unsatisfactory performance.

⚠ CAUTION

Front Grille

Do not obstruct the front grille. The openings within the front grille allow air to flow through the condenser heat exchanger. Restrictions to this air flow will result in increased energy usage and loss of cooling capacity. For this reason it is important this area to not be obstructed and the grille openings kept clean. AGA MARVEL does not recommend the use of custom made grilles as air flow may be restricted because of inadequate openings. (See Figure 2).

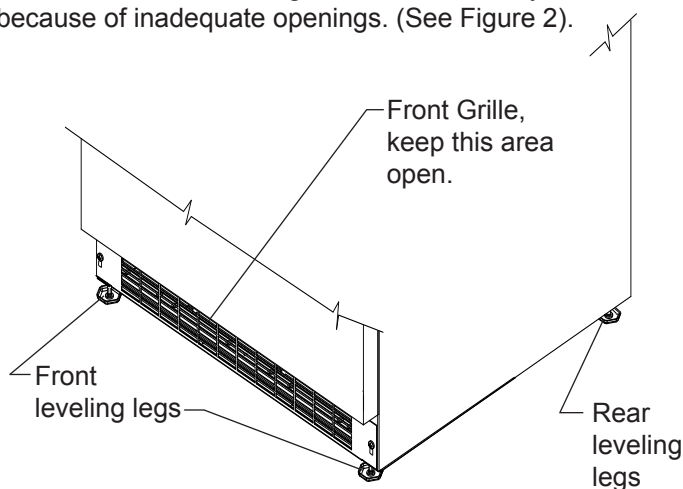


Figure 2

Leveling Legs

Adjustable legs at the front and rear corners of the unit should be set so the unit is firmly positioned on the floor and level from side to side and front to back. The overall height of your Marvel refrigerator may be adjusted from 33³/₄" (85.7cm) with the leveling legs turned in, and up to 34³/₄" (88.3cm) with the leveling legs extended.

To adjust the leveling legs, place the refrigerator on a solid surface and protect the floor beneath the legs to avoid scratching the floor. With the assistance of another person, lean the refrigerator back to access the front leveling legs. Raise or lower the legs to the required dimension by turning the legs. Repeat this process for the rear by tilting the refrigerator forward using caution to prevent the door from opening. On a level surface check the refrigerator for levelness and adjust accordingly.

The front grille screws may be loosened and the grille adjusted to the desired height. When adjustment is complete tighten the two front grille screws. (See Figure 3).

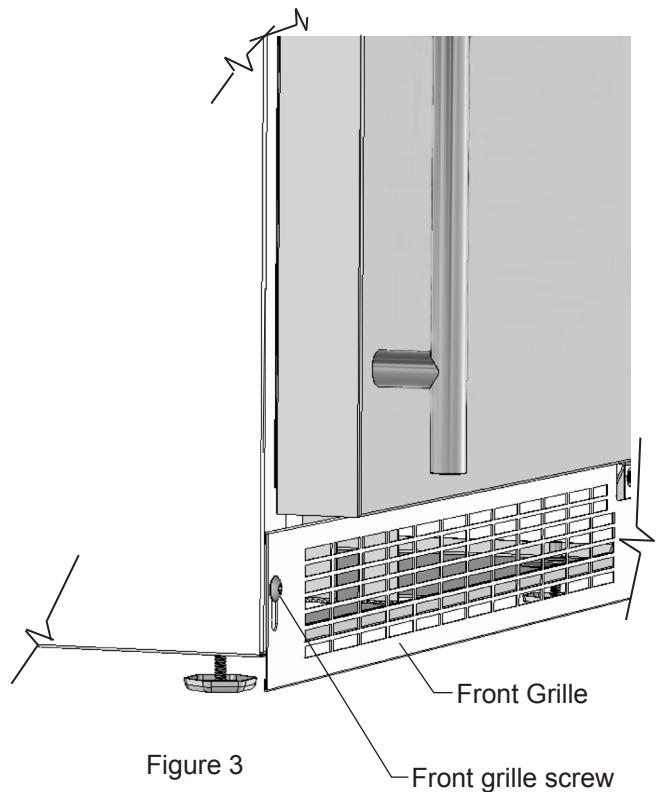


Figure 3

ELECTRICAL CONNECTION AND USING YOUR REFRIGERATOR

WARNING

Electrical Shock Hazard

- Do not use an extension cord with this appliance. They can be hazardous and cause deficient operation.
- This unit should not, under any circumstances, be installed to an un-grounded electrical supply.
- Do not remove the grounding prong from the power cord.
- Do not use an adapter.
- Do not splash or spray water from a hose on the appliance. Doing so may cause an electrical shock, which may result in severe injury or death.

Electrical Connection

A grounded 115 volt, 15 amp dedicated circuit is required. (A separate circuit serving only this appliance).

This product is factory equipped with a power supply cord that has a three-pronged, grounded plug. It must be plugged into a mating grounding type polarized receptacle located near the product. The product and receptacle should be installed in accordance with the National Electrical Code and applicable local codes and ordinances (see Figure 4). If the circuit does not have a grounding type receptacle, it is the responsibility and obligation of the customer to provide the proper power supply.

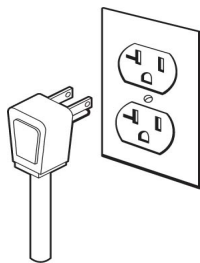


Figure 4

NOTE

Ground Fault Circuit Interrupters (GFCI) are prone to nuisance tripping which will cause the unit to shut down. GFCI's are generally not used on circuits with power equipment that must run unattended for long periods of time, unless required to meet local building codes and ordinances.

Setting the temperature control:

Initially set the cold control midway between the numbers three (3) and four (4). After at least 2 hours adjust to the temperature that suits you. The higher the number you select, the cooler the temperature. (See figure 5). The temperature range of the refrigerator is from 33° to 52°F (1° to 11°C).

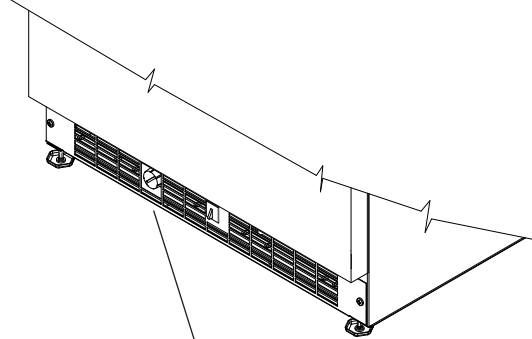
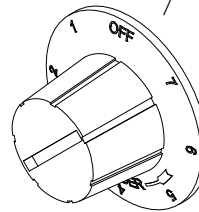


Figure 5

Cold control underneath door in grille



USING YOUR REFRIGERATOR

Shelving

The unit is shipped with the (2) shelves taped in place in the lower shelf position. Remove them from the refrigerator and arrange them as follows when setting up your unit.

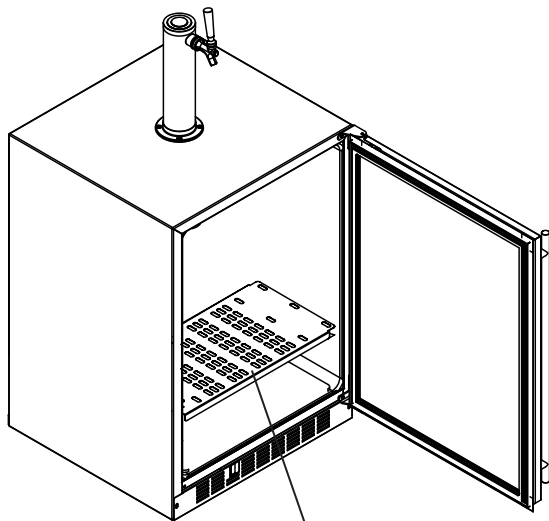


Figure 6 — Two shelves

If you are using a quarter barrel of beer, you can add shelf space for keeping your mugs chilled. The quarter barrel must set on the floor, it cannot fit on the shelf, see Figure 8. Be sure the white floor plate is in the bottom of the interior compartment before positioning the barrel.

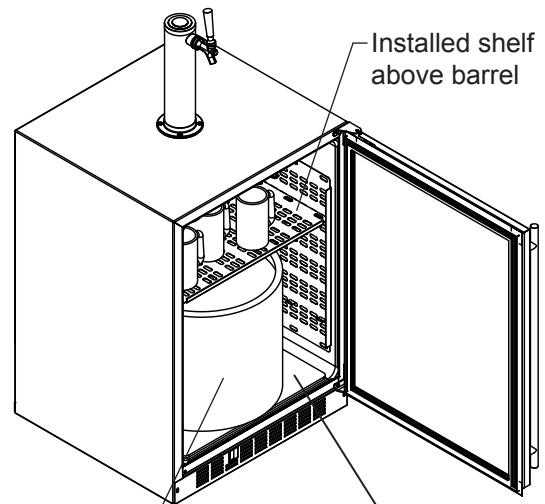


Figure 8 — Installed shelf above barrel
Quarter barrel — White floor plate

If you are not serving beer on tap, your keg dispenser can be used as a refrigerator by placing both shelves on the mounting brackets as shown in Figure 7. Install the shelves so the large (wider) flange is at the front.

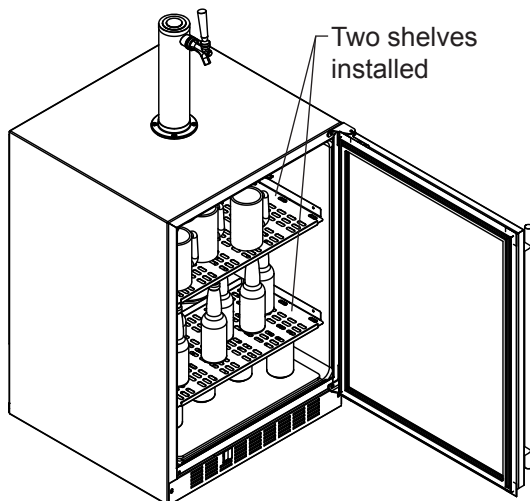


Figure 7

If you are using a half barrel (keg), place the two shelves on each side of the keg dispenser on the two mounting hooks for storage. (See Figure 9). Be sure the white floor plate is in the bottom of the interior compartment before positioning the barrel.

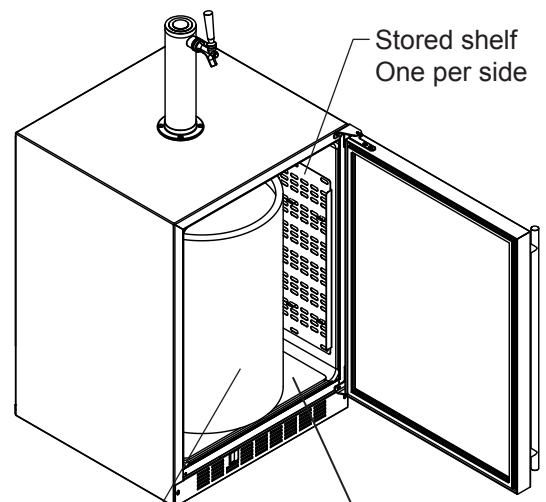


Figure 9 — Stored shelf One per side
Half barrel (keg) — White floor plate

USING YOUR REFRIGERATOR

This beer dispensing unit will support one half (1/2) barrel or one quarter (1/4) barrel. The double draft tower units can support two sixth (1/6) barrels of beer. See chart below for quantity of beer in each barrel size.

	Barrel Sizes		
	1/6 barrel	1/4 Barrel	1/2 Barrel
Height	23 ⁵ / ₁₆ " (59.2 cm)	14 ¹³ / ₁₆ " (37.6 cm)	23 ⁵ / ₁₆ " (59.2 cm)
Diameter	9 ¹ / ₄ " (23.5 cm)	17" (43.2 cm)	17" to 17 ¹ / ₄ " (43.2 to 43.3 cm)
Gallons	5.23	7.75	15.5
# 1 2 o z . Glasses	53	82	163

Table A

Keg Size	#of kegs per 5 pound CO ₂ Tank
5 gallon Corny	15 to 22
1/6 barrel	14 to 21
1/4 Barrel	10 to 14
1/2 Barrel	5 to 7

Table B

Tap Equipment and Assembly

Your dispensing kit includes the following parts:

- Polished stainless steel tower with clear beer line (single or double dispense)
- Tower Gasket
- Phillips oval head screws
- Knob for Tower (Faucet Handle)
- Keg coupler(s)
- 90° Elbow fitting(s)
- Black Rubber Washer(s)
- CO₂ regulator with red gas line(s) attached
- Empty 5 pound CO₂ tank
- Plastic clamp(s)
- Faucet wrench

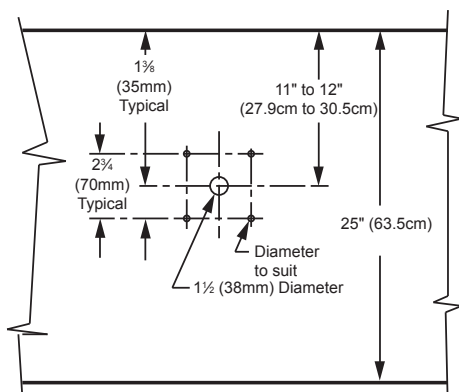


Figure 10

Tools required for installation:

- Phillips screwdriver
- Pliers
- Adjustable wrench or a 1¹/₈" open end wrench

⚠ WARNING

CO₂ can be dangerous. If it becomes difficult to breathe and/or your head starts to ache, a high concentration of carbon dioxide may be present. Leave the area immediately.

- The CO₂ tank must always be connected to the regulator. **Never** connect the tank to the keg.
- The CO₂ tank must be securely mounted in the upright position. Secure it with the chain provided.
- **Never** drop or throw the CO₂ tank.
- Keep the CO₂ tank away from heat.
- Ventilate the area after a CO₂ leak.

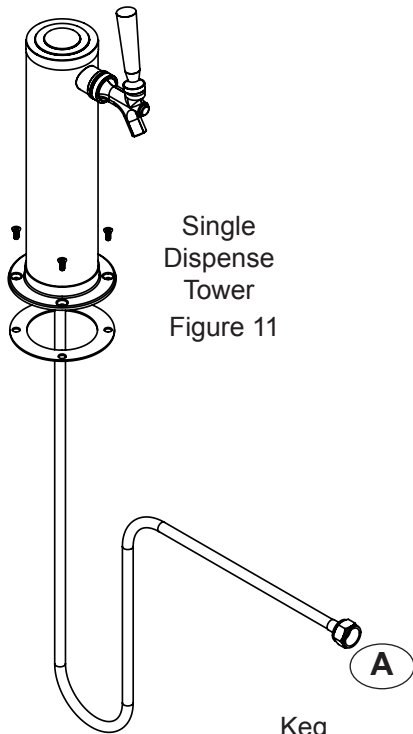
Assembly procedure:

1. Remove shelving and packaged components from the interior of the refrigerator before beginning the assembly process.
2. Take your empty 5 pound CO₂ tank to your local gas supply dealer to be filled. You can usually find them in your "yellow pages" under "Welding Supply" or "Fire Protection". One 5 pound tank can process many kegs (see table B) Your dealer should supply you with a plastic washer every time the tank is filled.
3. Tower mounting (if you are installing the unit under a counter skip to step 3). If you are mounting the tower directly to the top of the refrigerator, first remove the four screws from the top of the refrigerator. Feed the clear beer line through the tower gasket and the large hole in the refrigerator top. Align the 4 holes in the tower with the 4 holes in the refrigerator top and secure the tower with the 4 screws removed previously. Skip to step 4.
4. If you are installing your keg refrigerator under a counter you will need to drill 5 holes in the counter top to mount the tower. The first hole is a 1¹/₂" diameter hole located at the center of the tower for the beer line, locate approximately 11 to 12 inches from the back wall (based on a standard counter top depth of 25"). Next drill the 4 tower mounting holes per the dimensions in Figure 10. The hole diameter is dependent on the counter top material and if screw anchors are required. The screws supplied are in the literature pack and are a #10 x 1" type AB stainless steel screw. After the holes are drilled and the keg refrigerator is in place under the counter top feed the beer line through the tower gasket,

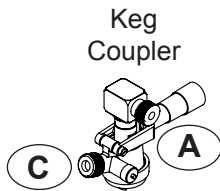
USING YOUR REFRIGERATOR

Single Dispense Tower Kit

Connect **A** to **A**, etc.....

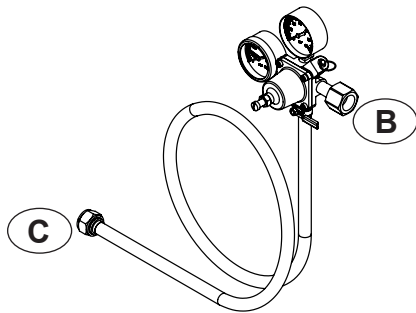


Single
Dispense
Tower
Figure 11



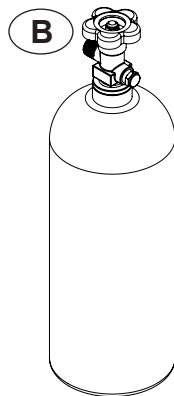
Keg
Coupler

Figure 12



Regulator
with red
airline

Figure 13

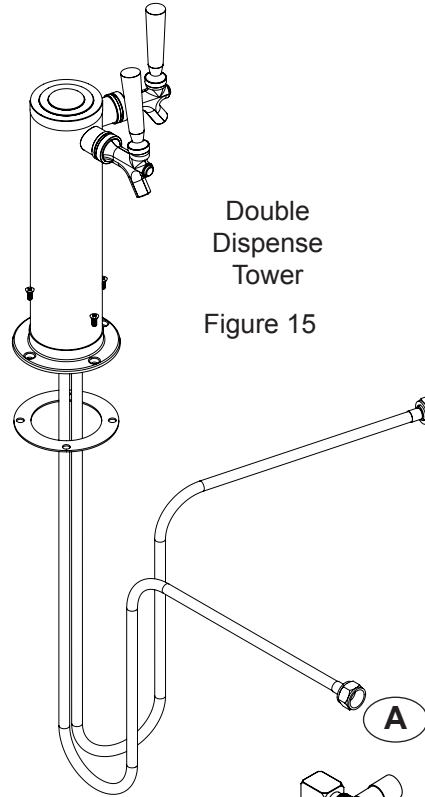


5 Pound
CO₂ Tank

Figure 14

Double Dispense Tower Kit

Connect **A** to **A**, etc.....



Double
Dispense
Tower
Figure 15

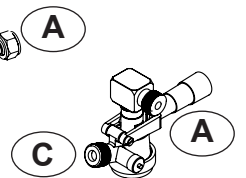


Figure 16

Keg
Couplers

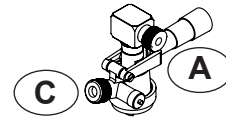
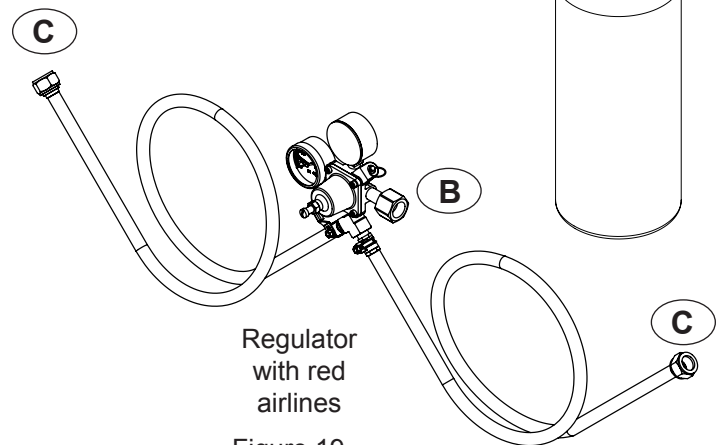


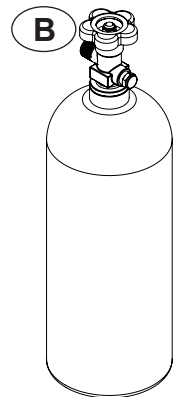
Figure 17



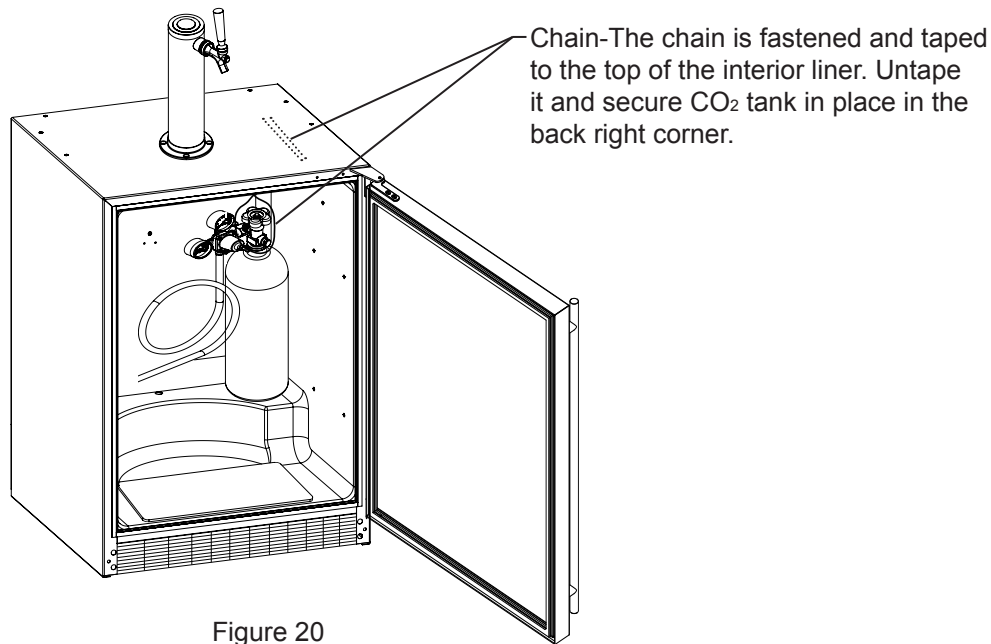
Regulator
with red
airlines

Figure 19

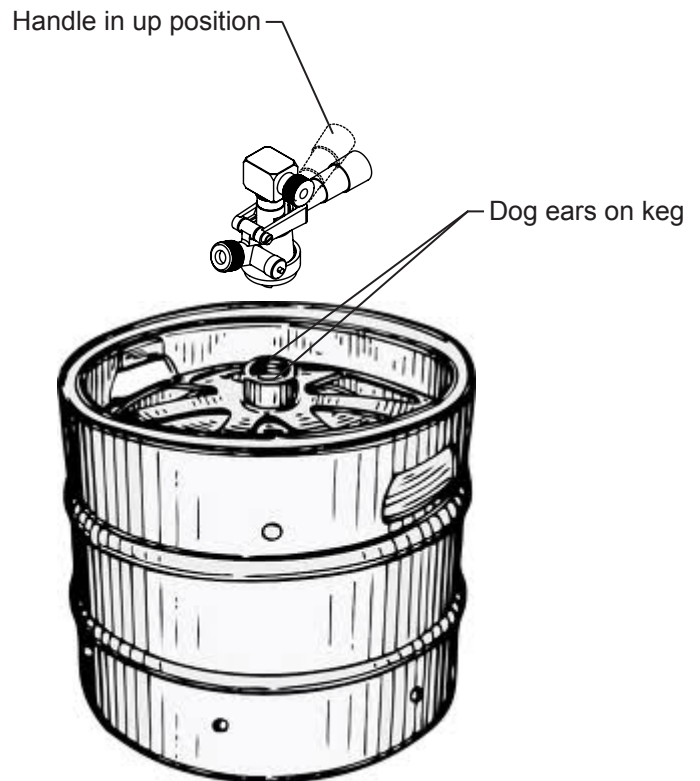
5 Pound
CO₂ Tank
Figure 18



USING YOUR REFRIGERATOR



- the 1½" hole in the counter top and the hole in the top of the keg refrigerator. Mount the tower to the counter top with the 4 screws provided.
5. Mount the regulator to the CO₂ tank (connection **B**) use the new plastic washer you received from the gas supply company. Note that the regulator has left hand threads and has to be turned counterclockwise to tighten. Tighten with the adjustable wrench or the 1½" open end wrench.
 6. Place a black washer in the nut on the red air line and screw the nut on the red air line to the fitting on the keg coupler (connection **C**).
 7. Place a black washer into the stainless steel end fitting of the clear beer line from the tower and screw onto the 90° elbow on top of the keg coupler. (connection **A**).
 8. Locate the CO₂ tank in the corner of the refrigerator as shown in Figure 20 and secure with the chain.
 9. Hooking up the coupler to the keg. Verify the white handle is in the up position as shown. Line up the dog ears on the keg neck with the opening in the coupler. Twist the coupler clockwise ~ until it stops. Extend the white handle and push down to lock.



USING YOUR REFRIGERATOR

CO₂ Regulator

Your beer dispenser comes equipped with a 5 pound CO₂ tank and a dual gauge regulator. The lower gauge should be reading approximately 750 psi (52 bar) when the tank is properly filled and the tank is not in the refrigerator (at room temperature). The tank will read less when chilled. Use this lower gauge as an indicator of how much CO₂ you have left in the tank.

The upper gauge reads the pressure being supplied to the beer keg. Follow the procedure below to adjust the pressure to 12 - 14 psi (0.8 to 1 bar) for lager beer or 9 - 12 psi (0.6 to 0.8 bar) for ale's.

To adjust the pressure (Upper Gauge):

1. Close the shutoff valve at the bottom of the regulator.
2. Be sure the faucet handle is closed on the tower (see Figure 24).
3. Loosen the lock nut by turning \curvearrowleft counterclockwise using the $\frac{1}{2}$ " open end wrench until loose, this will allow adjustment of the pressure adjustment screw.
4. Turn the adjustment screw \curvearrowright clockwise to increase the pressure or \curvearrowleft counterclockwise to decrease the pressure.
5. Open the shutoff valve on the bottom of the regulator. The gauge reading may drop but will return very quickly.
6. Pull the ring on the keg coupler to allow the gas to flow momentarily.
7. Make any fine adjustments if necessary with the adjustment screw.
8. Tighten the locknut with the $\frac{1}{2}$ " open end wrench by turning clockwise \curvearrowright .

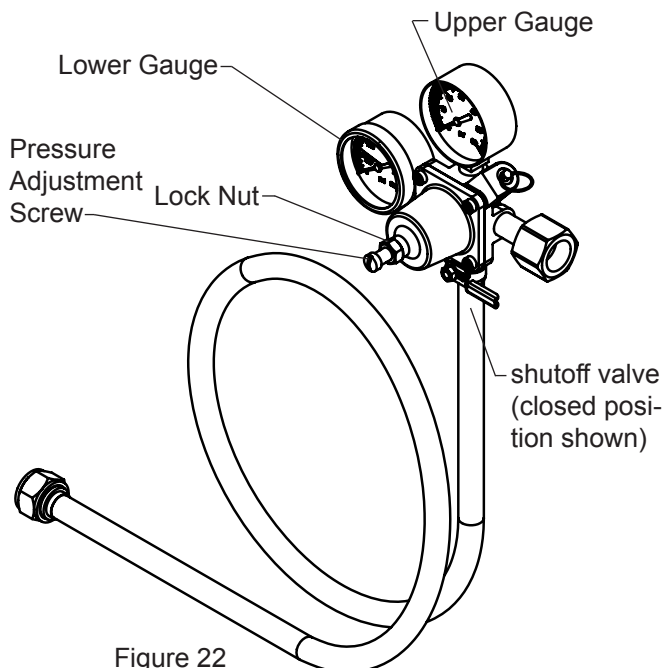


Figure 22

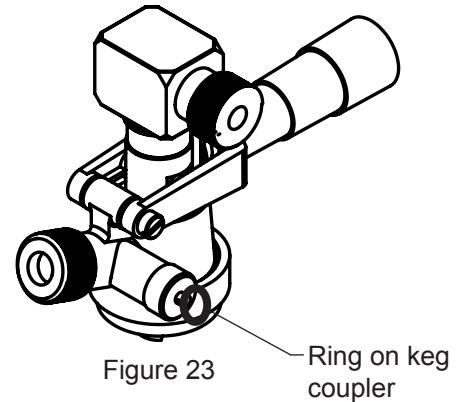


Figure 23

Drip Tray (standard)

Place drip tray on top of cabinet in front of tower as shown in Figure 24.

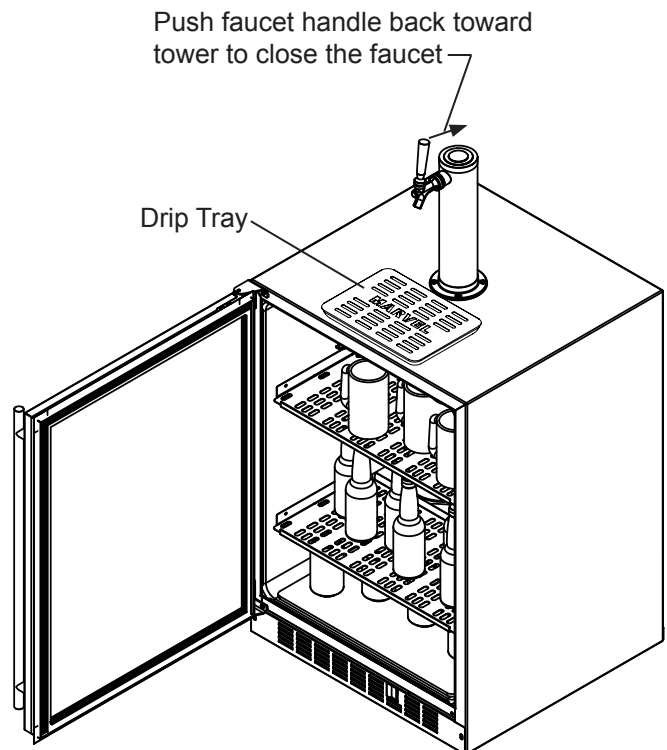


Figure 24

DRAIN KIT INSTALLATION (OPTIONAL)

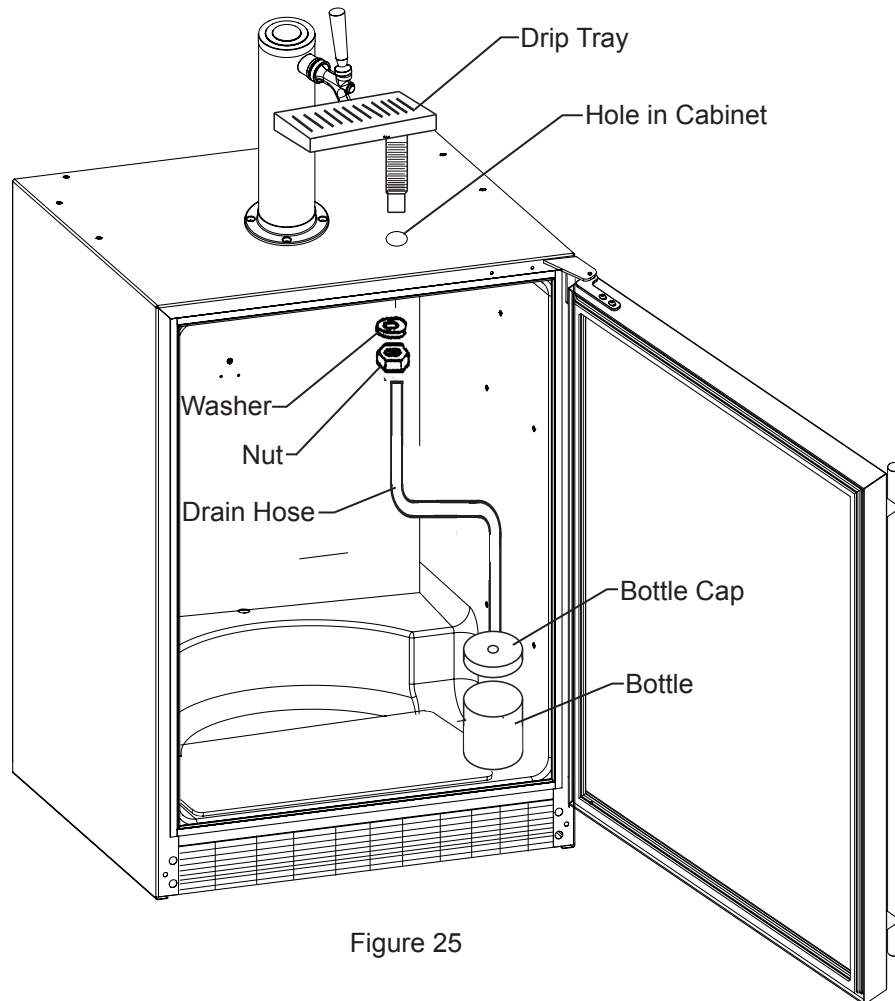


Figure 25

Drain Kit Installation: (See Figure 25)

1. Remove the cardboard box with the drip tray from inside the cabinet and remove the parts from the box.
2. Remove the nut and washer from the drip tray.
3. Push the threaded stem of the drip tray through the hole in the top of the cabinet and secure from inside the cabinet with the washer and the hex nut. Do not overtighten the nut.
4. Push one end of the drain hose over the end of the drip tray stem.
5. Push the other end of the hose through the hole in the center of the cap. This should be a snug fit.
6. Screw the bottle onto the cap and place the bottle inside the cabinet.

Cleaning the Bottle:

When the bottle is full unscrew it from the cap and empty it. The bottle can be cleaned with hot soapy water.

CARE AND CLEANING

Cleaning and Maintaining Dispensing System

The dispensing system needs to be cleaned between usage to prevent spoilage and/or foul taste in your beer.

Tap Cleaning Kit

This is an optional item (part number 42242373) Kit includes everything to quickly clean tap. Includes cleaning solution, pump, mixing bottle, brush and wrench.

Faucet Cleaning

Turn off the gas supply with the shutoff valve under the regulator (see Figure 22) and open the faucet to relieve the pressure. To remove the faucet from the tower use the spanner wrench provided. Place the pin on the wrench into the hole on the faucet collar and turn clockwise \curvearrowright to remove the faucet. (See Figure 27).

Remove the knurled cap from the faucet body just below the handle and pull the handle assembly from the faucet. This will allow the shaft to be removed from the back of the faucet, see Figure 26.

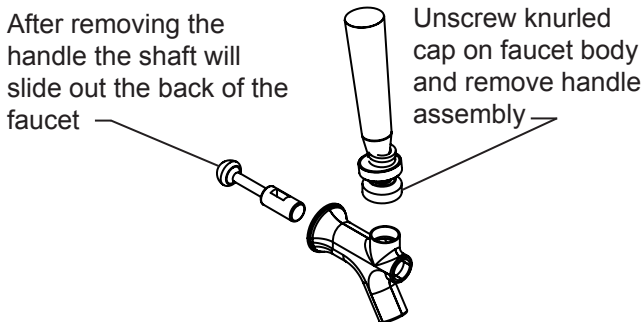


Figure 26

Soak all faucet parts in hot clear water or a solution of hot water and a sanitizing solution. Do not use soap.

Reassemble faucet, assemble faucet to tower (be sure faucet is in off position), and turn on gas valve.

Keg Coupler Cleaning

Remove the keg coupler from the keg if necessary. Close the gas valve below the regulator, remove both the red gas line and clear beer line from the keg coupler using a 1" open end wrench or an adjustable wrench. Remove the 90° elbow from the top of the keg coupler, see Figure 28. Soak all parts in hot water or a sanitizing solution. Dry all parts and reassemble.

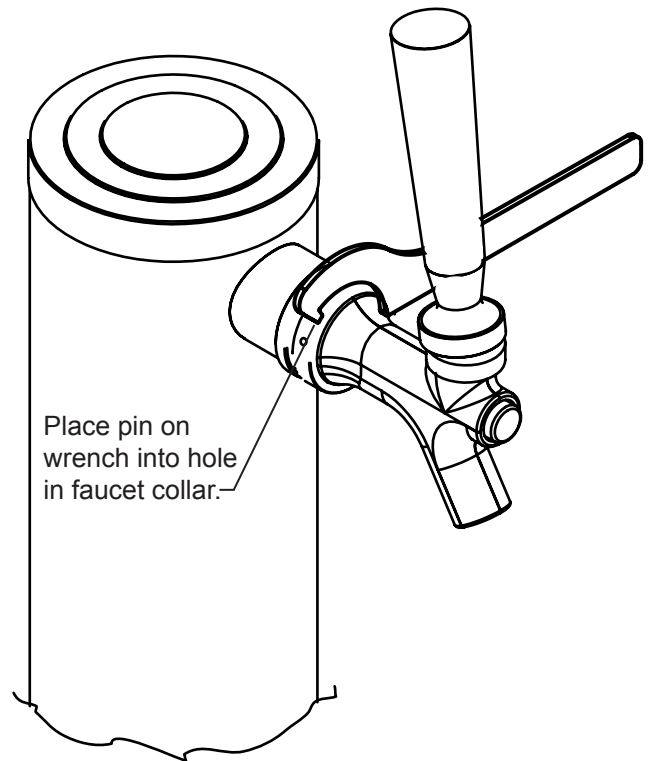


Figure 27

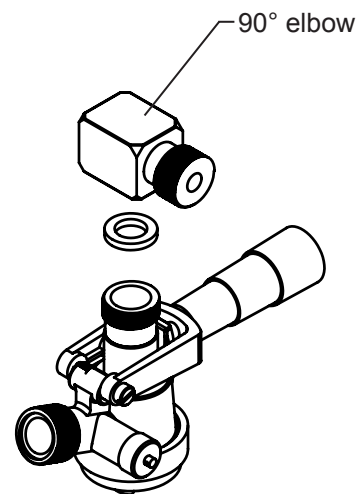


Figure 28

CARE AND CLEANING AND ENERGY SAVING TIPS

Cabinet

The painted cabinet can be washed with either a mild soap and water and thoroughly rinsed with clear water. NEVER use abrasive scouring cleaners.

Interior

Wash interior compartment with mild soap and water. Do NOT use an abrasive cleaner, solvent, polish cleaner or undiluted detergent.

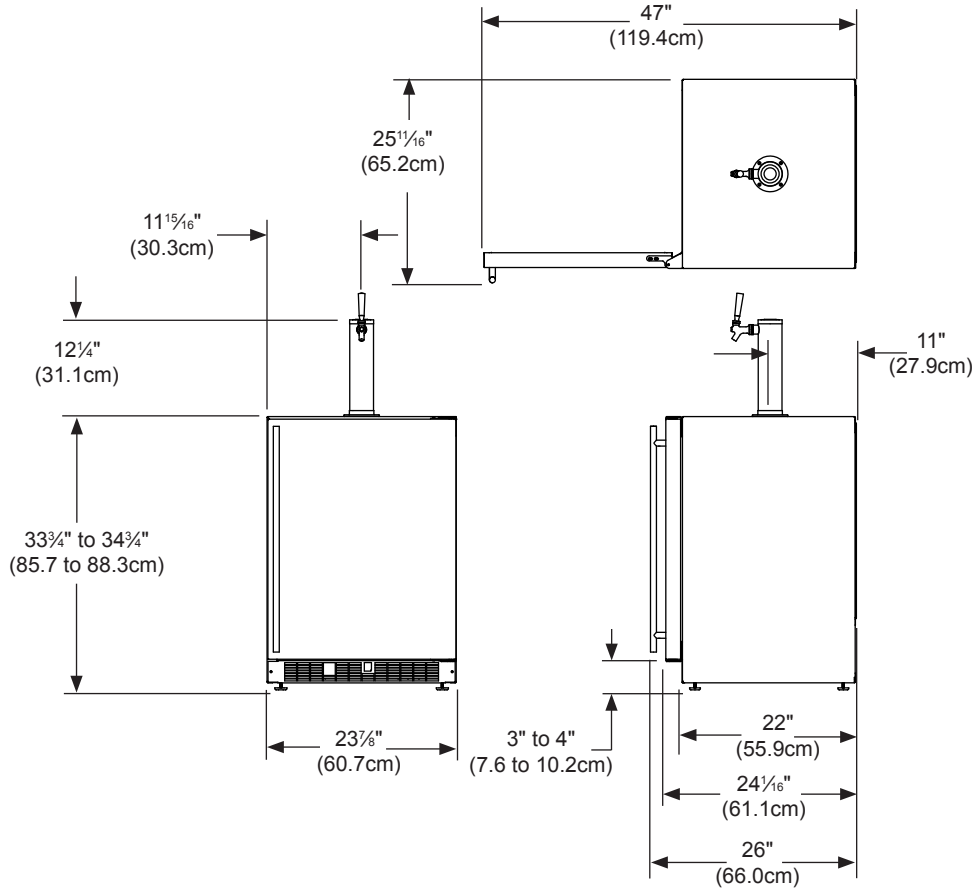
Care of Unit

1. Avoid leaning on the door, you may bend the door hinges or tip the unit.
2. Exercise caution when sweeping, vacuuming or mopping near the front of the unit. Damage to the grille can occur.
3. Periodically clean the interior of the unit as needed.
4. Periodically check and/or clean the front grille as needed.

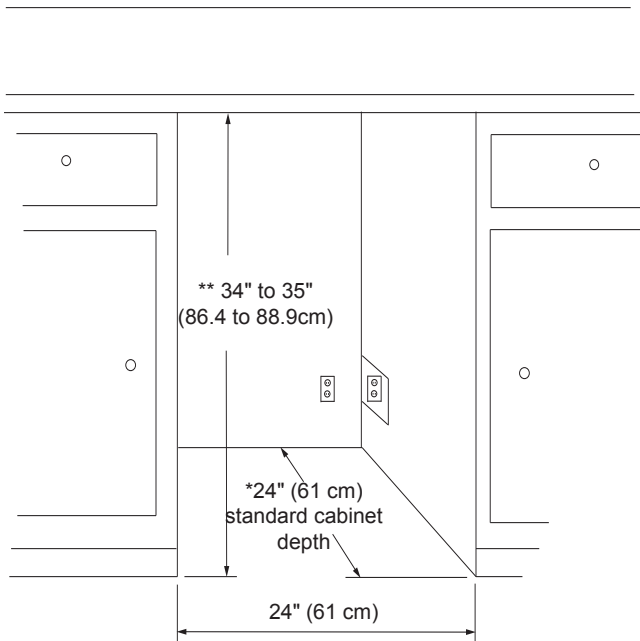
The following suggestions will minimize the cost of operating your refrigeration appliance.

1. Do not install your appliance next to a hot appliance, (cooker, dishwasher, etc.). heating air duct, or other heat sources.
2. Install product out of direct sunlight.
3. Ensure the front grille vents at front of unit beneath door are not obstructed and kept clean to allow ventilation for the refrigeration system to expel heat.
4. Plug your appliance into a dedicated power circuit. (Not shared with other appliances).
5. When initially loading your new product, or whenever large quantities of warm contents are placed within refrigerated storage compartment, minimize door openings for the next 12 hours to allow contents to pull down to compartment set-point temperature.
6. Maintaining a relatively full storage compartment will require less appliance run time than an empty compartment.
7. Ensure door closing is not obstructed by contents stored in your appliance.
8. Allow hot items to reach room temperature before placing in product.
9. Minimize door openings and duration of door openings.
10. Use the warmest temperature control set-point that meets your personal preference and provides the proper storage for your stored contents.
11. When on vacation or away from home for extended periods, set the appliance to warmest acceptable temperature for the stored contents.
12. Set the control to the "off" position if cleaning the unit requires the door to be open for an extended period of time.

DIMENSIONS FOR MODELS 61HK SOLID DOOR



RECOMMENDED ROUGH IN OPENING DIMENSIONS, 61HK SOLID DOOR



⚠ CAUTION

Electrical Requirements: A grounded 115 volt, 15 amp dedicated circuit is required. A GFCI receptacle may be required for outdoor units.

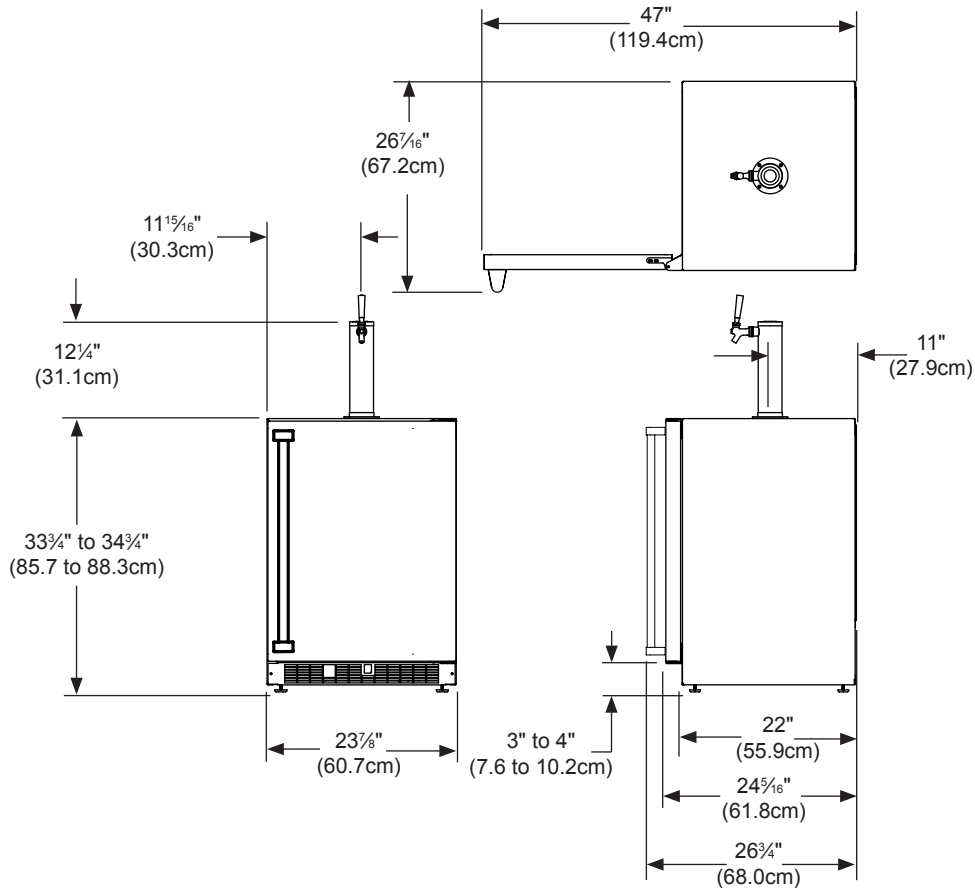
Power outlet can be located in the back wall behind unit. Add 1" to depth for thickness of plug, or recess outlet 1" into the wall. Power outlet can also be installed in adjacent cabinetry with a cutout for routing of power cord. Follow all local building codes when installing electrical and unit.

Product weight = 140 lbs. (63.6 kg.)

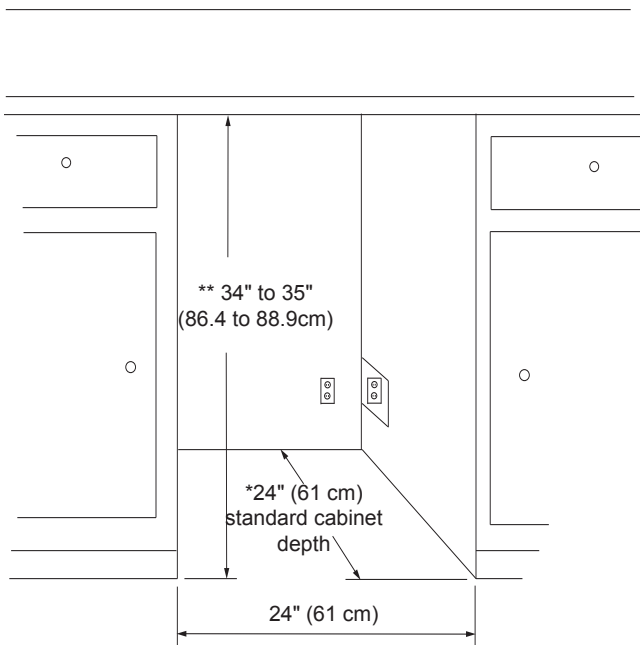
* Depth dimension may vary depending on each individual installation.

** Minimum rough in opening required is to be larger than the adjusted height of the cabinet.

DIMENSIONS FOR MODELS 60HK-SS SOLID DOOR



RECOMMENDED ROUGH IN OPENING DIMENSIONS, 60HK-SS SOLID DOOR



⚠ CAUTION

Electrical Requirements: A grounded 115 volt, 15 amp dedicated circuit is required. A GFCI receptacle may be required for outdoor units.

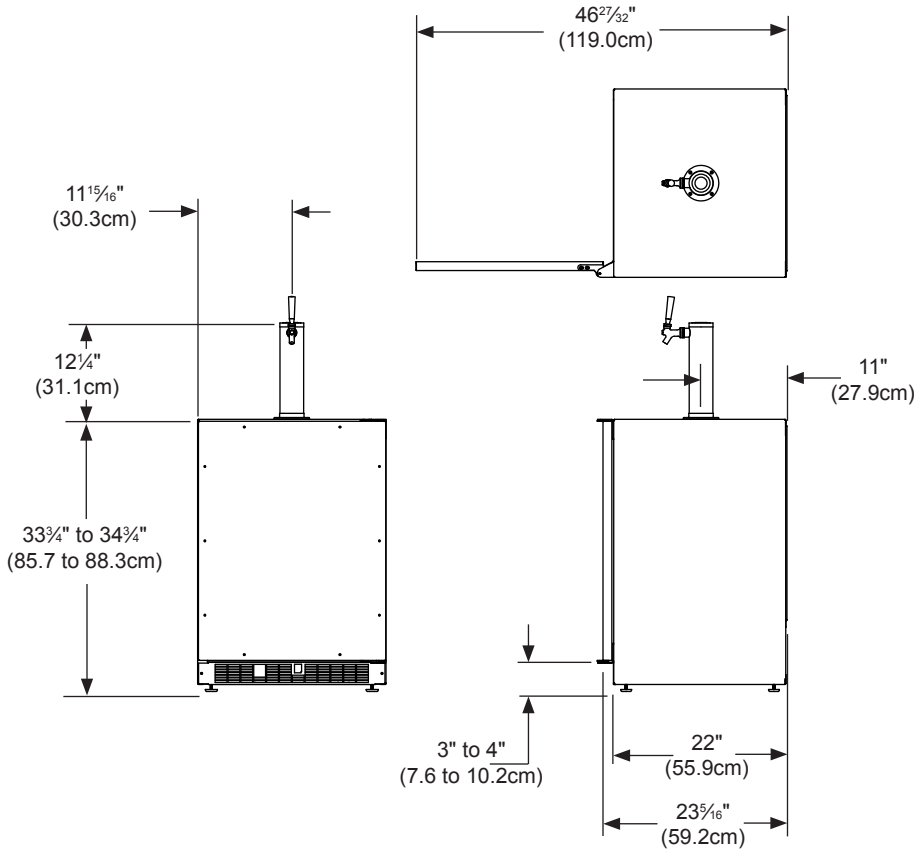
Power outlet can be located in the back wall behind unit. Add 1" to depth for thickness of plug, or recess outlet 1" into the wall. Power outlet can also be installed in adjacent cabinetry with a cutout for routing of power cord. Follow all local building codes when installing electrical and unit.

Product weight = 140 lbs. (63.6 kg.)

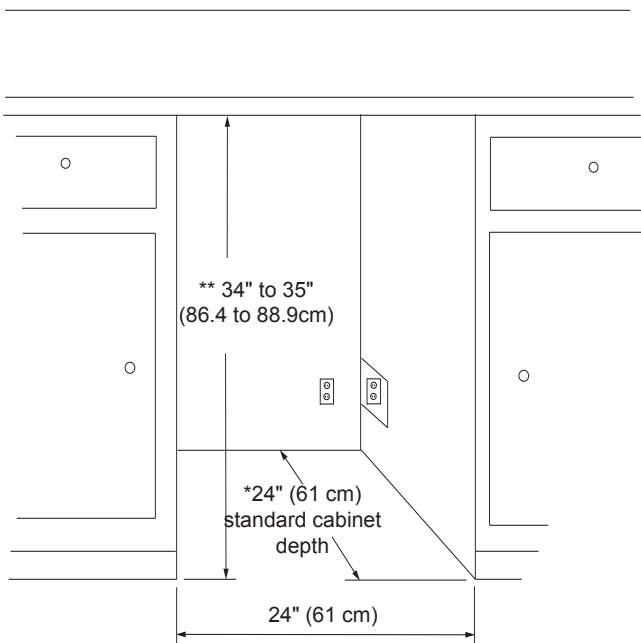
* Depth dimension may vary depending on each individual installation.

** Minimum rough in opening required is to be larger than the adjusted height of the cabinet.

DIMENSIONS FOR MODEL 61HK SOLID OVERLAY DOOR



RECOMMENDED ROUGH IN OPENING DIMENSIONS, 61HK SOLID OVERLAY DOOR



⚠ CAUTION

Electrical Requirements: A grounded 115 volt, 15 amp dedicated circuit is required.

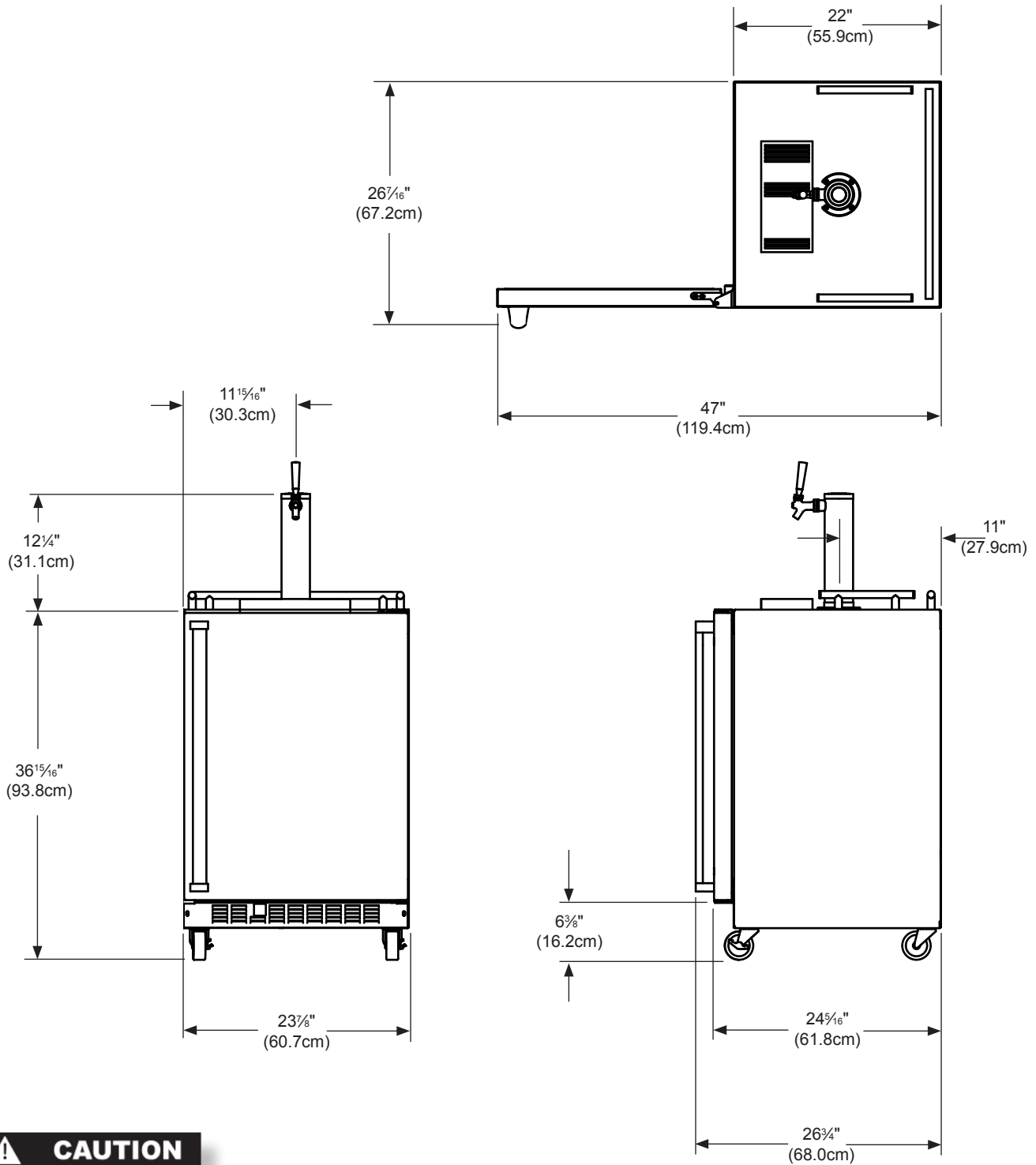
Power outlet can be located in the back wall behind unit. Add 1" to depth for thickness of plug, or recess outlet 1" into the wall. Power outlet can also be installed in adjacent cabinetry with a cutout for routing of power cord. Follow all local building codes when installing electrical and unit.

Product weight = 140 lbs. (63.6 kg.)

* Depth dimension may vary depending on each individual installation.

** Minimum rough in opening required is to be larger than the adjusted height of the cabinet.

DIMENSIONS FOR MODEL 60HK-SSX SOLID DOOR



⚠ CAUTION

Electrical Requirements: A grounded 115 volt, 15 amp dedicated circuit is required. A GFCI receptacle may be required for outdoor units.

Power outlet can be located in the back wall behind unit. Follow all local building codes when installing electrical and unit.

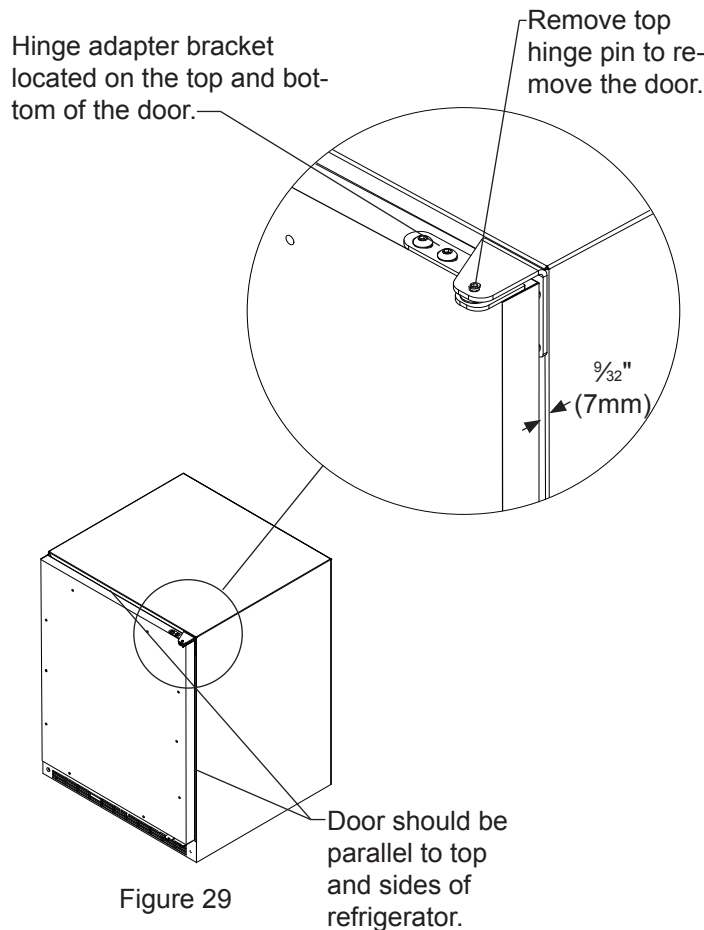
Product weight = 150 lbs. (68.2 kg.)

FULL OVERLAY PANEL INSTALLATION INSTRUCTIONS

CAUTION

Step 1: Verify door alignment

Verify that the door is aligned correctly with the cabinet prior to fabricating the custom panel. Failure to do so may result in mis-alignment of the custom panel with the hinge bracket. The door should be parallel to the sides and top of the refrigerator. If alignment is necessary the door may be adjusted by loosening the 2 screws which secure the top and/or bottom hinge adapter brackets, located on the top and bottom of the door and adjusting the door side to side. Use a $\frac{5}{32}$ " allen wrench, for this procedure. (See Figure 29 below). When finished aligning the door, tighten the screws securely.



Step 2: Remove door

Remove the top hinge pin from the hinge with an $\frac{1}{8}$ " allen wrench. Remove the door by angling the top of the door outward and lifting the door off the bottom hinge. (See detail in Figure 29).

Step 3: Remove gasket

Lay the door on its front being careful not to scratch it. To gain access to the mounting holes remove the door gasket by peeling up and out of the channel.

Step 4: Cut overlay pane

Cut the overlay panel to the dimensions shown in Figure 30.

NOTE

For overlay with lock option panel thickness to be $\frac{3}{4}$ " (19mm) maximum to $\frac{5}{8}$ " (16mm) minimum.

CAUTION

Weight of the overlay panel should not exceed 20 pounds (9.1 kilograms).

NOTE

For the door to close properly, it is necessary to maintain a minimum space of $\frac{9}{32}$ " (7mm) between the door and cabinet flange (See Figure 29). This space can be adjusted by adjusting the top and bottom hinge adapter brackets.

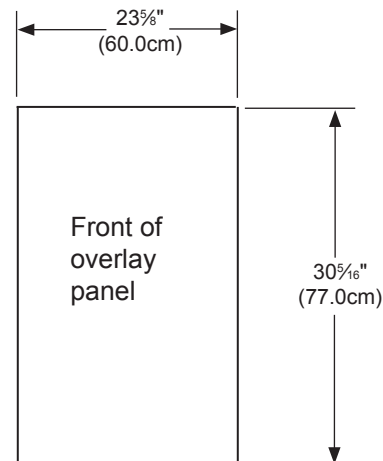


Figure 30

Step 5: Drill hinge clearance holes in overlay panel

Set the overlay panel on the door front, align the edges, and clamp together. Clamp the panel firmly but be careful not to damage the door or the panel. Mark center of hinge adapter hole on wood panel, top and bottom. (See Figure 31). Remove wood panel from door and drill $\frac{5}{16}$ " (8mm) diameter clearance holes into the overlay panels $\frac{3}{4}$ " (20mm) deep. These will be clearance holes for the top and bottom hinge pins.

FULL OVERLAY PANEL INSTALLATION INSTRUCTIONS

This is also a convenient time to locate and drill the holes for your handle. Most often the handle is to match that of the surrounding cabinetry. If your handle attaches from the back-side of the custom panel, locate the mounting holes while the panel is attached to the door and cabinet. After the panel is removed from the door, drill the mounting holes from the front, to the recommended diameter of the handle manufacturer. Counter bore the back-side of the panel so the screw heads do not interfere with the surface of the door.

Step 7: Mark and drill lock hole.

Locate and mark with a pencil the location of the lock hole on the overlay panel, this is the hole in the top corner of the handle side of the door. Remove the clamp and re-remove the overlay panel from the door. On the backside of the panel where you marked the lock location drill a $\frac{13}{16}$ " (20.5mm) diameter counter bore $\frac{7}{16}$ " (11.0mm) deep into the overlay panel. Drill a $\frac{15}{32}$ " (12.0mm) diameter hole through the overlay panel centered on the counter bore being careful not to splinter the wood on the face side of the panel. (See Figure 31).

Step 6: Drill panel mounting holes

Re-clip the panel to the door per step 5 and drill the screw pilot holes for attaching the overlay panel to the door. Select the size of the hole from Table A. Be careful not to drill the pilot holes through the overlay panel, ($\frac{1}{2}$ " (12.7mm) deep for $\frac{3}{4}$ " (19mm) and $\frac{5}{8}$ " (15.7mm) panels).

Material Type	#8 Wood Screw
Hardwood	$\frac{1}{8}$ " (3.2mm) Diameter. Pilot Hole
Softwood	$\frac{7}{64}$ " (2.8mm) Diameter. Pilot Hole

Table C

NOTE

If your refrigerator has a door lock proceed to Step 7. If your refrigerator does not have a door lock proceed to Step 9.

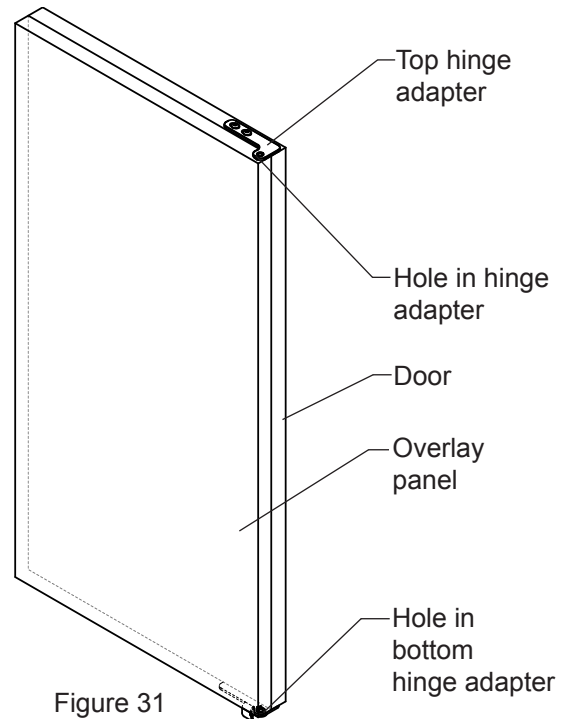


Figure 31

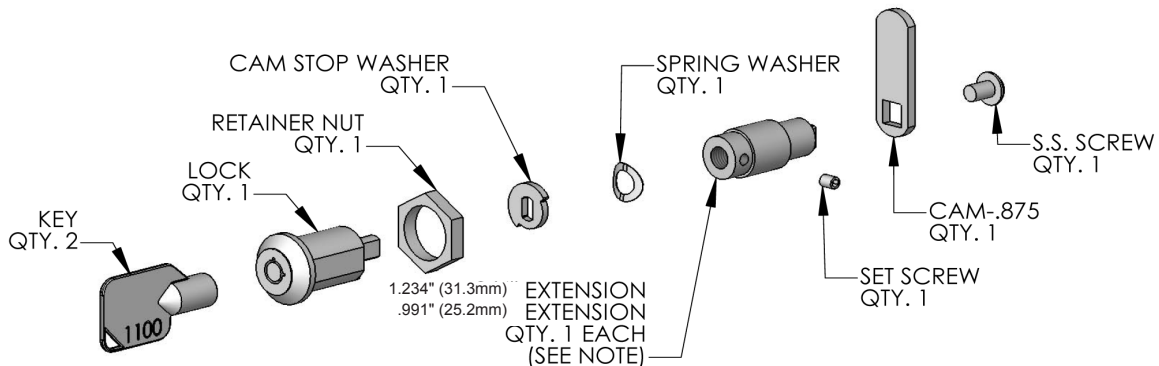


Figure 32

FULL OVERLAY PANEL INSTALLATION INSTRUCTIONS

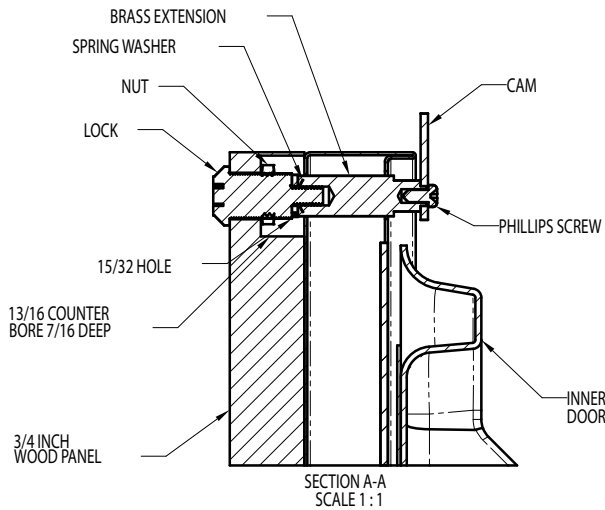


Figure 33

Step 8: Assemble the lock parts

Two (2) lock extensions are supplied with the lock. Use the longer extension for a 3/4" thick overlay panel and the shorter one for a 5/8" thick panel. Assemble the lock extension, cam stop washer, spring washer, and set screw to the lock as shown in Figure 32 and 33.

Install this assembly into the overlay panel and secure with the retaining nut using a 15mm socket. Make sure the key slot in the lock is vertical.

Step 9: Secure overlay panel to the door.

With the #10 wood screws provided, fasten the overlay panel to the door. (See Figure 34).

Step 10: Install lock cam (Models with locks only).

Attach the lock cam to the back of the lock assembly with the phillips head machine screw provided. Orient the lock cam vertically when installing on the lock.

Step 11: Install door gasket

Press the door gasket into the door channel. Make certain the gasket corners are fully inserted. If applicable insert the key into the lock and make certain the lock operates properly.

Step 12: Install the door

Install the top and bottom hinge adapter bushings back into the hinge adapters that were removed in step 6. Install the door by reversing the procedure from step 2. Install the top hinge pin so the screw head is flush with the top surface of the hinge. If applicable insert key into lock and verify the lock cam works properly with the catch bracket on the front of the refrigerator cabinet.

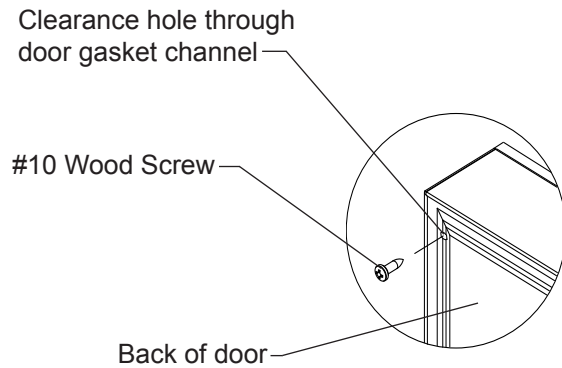


Figure 34

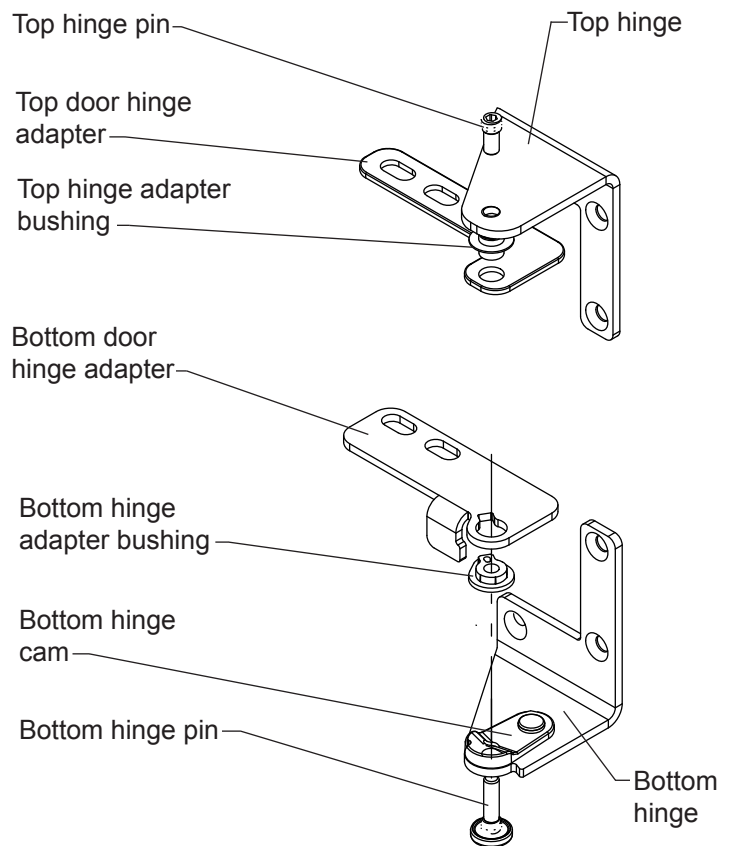


Figure 35
Right Hand
Hinges shown

TROUBLESHOOTING YOUR REFRIGERATOR AND OBTAINING SERVICE

Before You Call for Service

If the unit appears to be malfunctioning, read through this manual first. If the problem persists, check the troubleshooting guide below. Locate the problem in the guide and refer to the cause and its remedy before calling for service. The problem may be something very simple that can be solved without a service call. However, it may be required to contact your dealer or a qualified service technician.



WARNING

Electrocution Hazard

Never attempt to repair or perform maintenance on the unit until the main electrical power has been disconnected. Turning the unit control "OFF" does not remove electrical power from the units wiring.

Problem	Possible Cause	Remedy
Unit not cold enough.	<ul style="list-style-type: none"> Control set too warm. Content temperature not stabilized. Excessive usage or prolonged door openings. Airflow to front grille blocked. Door gasket not sealing properly. 	<ul style="list-style-type: none"> Adjust temperature colder. (See "Set the Temperature Control" on page 5) Allow 24 hours for temperature to stabilize. Allow temperature to stabilize for at least 24 hours. Airflow must not be obstructed to front grille. See "clearances" on page 4. Check door alignment and/or adjust or replace door gasket.
Unit too cold.	<ul style="list-style-type: none"> Control set too cold. Door gasket not sealing properly. 	<ul style="list-style-type: none"> Adjust temperature warmer. (See page 5, "set the temperature control"). Allow 24 hours for temperature to stabilize. Check door alignment and/or adjust or replace door gasket.
Noise or Vibration	<ul style="list-style-type: none"> Unit not level. 	<ul style="list-style-type: none"> Level unit, see "Leveling Legs" on page 4.
Unit will not run.	<ul style="list-style-type: none"> Unit turned off. Power cord not plugged in. No power at outlet. 	<ul style="list-style-type: none"> Turn unit on. See "Set the temperature control" on page 5. Plug in power cord. Check house circuit.
Unit runs 100% after initial start-up or introduction of a new keg.	<ul style="list-style-type: none"> The keg is much warmer than the unit's set-point. 	<ul style="list-style-type: none"> Unit will return to a typical on/off cycle after the keg temperature has stabilized.

OBTAINING SERVICE

If Service is Required:

- If the product is within the first year warranty period please call AGA MARVEL Customer Service at 800.223.3900 for directions on how to obtain warranty coverage in your area.
- If the product is outside the first year warranty period, AGA MARVEL Customer Service can provide recommendations of service centers in your area. A listing of authorized service centers is also available at www.agamarvel.com under the service and support section.
- In all correspondence regarding service, be sure to give the service number, serial number, (see page 3) located on your product's serial plate, and proof of purchase.
- Try to have information or description of nature of the problem, how long the unit has been running, the room temperature, and any additional information that may be helpful in quickly solving the problem.
- Table D below is provided for recording pertinent information regarding your product for future reference.

For Your Records	
Date of Purchase	
Dealer's name	
Dealer's Address	
Dealer's City	
Dealer's State	
Dealer's Zip Code	
Appliance Serial Number	
Appliance Service Number	
Date Warranty Card Sent (Must be within 10 days of purchase).	

Table D

HOUSEHOLD PRODUCT WARRANTY

Entire Product

Limited One Year Parts and Labor Warranty

AGA MARVEL warrants that it will supply all necessary parts and labor to repair or replace in the end user's home or office, any component which proves to be defective in material or workmanship, subject to the condition and exclusions stated below, for a period of one year from the date of purchase by the end user.

Additional Second Through Fifth Year

Limited Parts Only Warranty

During the four years following expiration of the one year limited warranty, AGA MARVEL will supply replacement parts for the hermetically sealed refrigeration system which consists of the compressor, condenser, drier, accumulator, bypass valve, connecting tubing and the evaporator that are proven to be defective due to workmanship or materials subject to the conditions and exclusions below.

The above warranties do not cover:

- Shipping costs of replacement parts or returned defective parts.
- Customer education or instructions on how to use the appliance.
- Any content loss due to product failure.
- Removal or installation of product.

Nor do the above warranties cover failure of this product or its components due to:

- Transportation or subsequent damages.
- Commercial use or use other than normal household or small office.
- Improper installation, misuse, abuse, accident or alteration, use of wiring not conforming to electrical codes, low or high voltages, failure to provide necessary maintenance, or other unreasonable use.

Parts or Service

Not Supplied or Designated by AGA MARVEL

The above warranties also do not apply if:

- The original bill of sale, deliver date, or serial number cannot be verified.
- Defective parts are not returned for inspection if so requested by AGA MARVEL.
- The refrigeration equipment is not in the possession of the original end use purchaser.

The warranties set forth herein are the only warranties extended by AGA MARVEL. Any implied warranties, including the implied warranty of merchantability, are limited to the duration of these express warranties. In no event shall AGA MARVEL be liable for any consequential or incidental damages or expenses resulting from breach of these or any other warranties, whether express or implied.

Some states do not allow the exclusion or limitation of consequential damages or a limitation on how long an implied warranty lasts, so the above exclusion or limitation may not apply to you. This warranty gives you specific legal rights and you may have other rights that may vary from state to state.

No person, firm, or corporation is authorized to make any other warranty or assume any other obligation for AGA MARVEL. These warranties apply only to products used in any of the fifty states of the United States and the District of Columbia.

To obtain performance of this warranty, report any defects to:

AGA MARVEL
1260 E. VanDeinse St.
Greenville MI 48838

Phone: 800.223.3900



www.agamarvel.com

AGA MARVEL

1260 E. VanDeinse St.
Greenville MI 48838

800.223.3900

41012918-EN Rev B
12/3/12

All specifications and product designs subject to change without notice. Such revisions do not entitle the buyer to corresponding changes, improvements, additions, replacements or compensation for previously purchased products.

Instructions
d'installation,
d'utilisation
et d'entretien

Réfrigérateur distributeur de bière en fût

61HK (Marvel)

60HK (Extérieur)



CONTENU

Déballage de votre réfrigérateur distributeur.....	3
Enlèvement de l'emballage.....	3
Enregistrement de la garantie.....	3
Installation de votre réfrigérateur distributeur.....	4
Choix de l'emplacement.....	4
Écartements par rapport à l'armoire.....	4
Installation à l'extérieur.....	4
Pieds de mise à niveau.....	4
Raccordement Électrique.....	5
Réglage de la commande de température.....	5
Utilisation de votre réfrigérateur.....	6
Rayonnage.....	6
Équipement de mise en perce et montage.....	7
Régulateur de CO ₂	10
Réglage de la pression.....	10
Kit de drainage.....	11
Entretien et nettoyage.....	12
Nettoyage et entretien du système de distribution.....	12
Kit de nettoyage de robinetterie.....	12
Nettoyage de robinet.....	12
Nettoyage du coupleur de fût.....	12
Armoire.....	13
Intérieur.....	13
Entretien de l'appareil.....	13
Conseils pour les économies d'énergie.....	13
Dimensions pour porte pleine de 61HK.....	14
Dimensions brutes d'ouverture recommandées pour porte pleine de 61HK.....	14
Dimensions pour porte pleine de 60HK-SS.....	15
Dimensions brutes d'ouverture recommandées pour porte pleine de 60HK-SS.....	15
Dimensions pour porte à revêtement plein de modèle 61HK.....	16
Dimensions brutes d'ouverture recommandées pour porte à revêtement de 61HK.....	16
Dimensions pour porte pleine de 60HK-SSX.....	17
De panneau de revêtement complet.....	18
Dépannage de votre réfrigérateur.....	21
Obtention de service.....	22
Garantie de l'appareil à usage domestique.....	23

Importantes instructions de sécurité

Les avertissements et les instructions de sécurité qui apparaissent dans ce guide n'ont pas la prétention de couvrir toutes les conditions et situations possibles pouvant arriver. Il faut faire preuve de bon sens, de précautions et de soins, pour installer, utiliser ou entretenir cet appareil.

Reconnaissance des symboles, des mots et des étiquettes concernant la sécurité.

AVERTISSEMENT

AVERTISSEMENT – Dangers ou pratiques dangereuses avec une forte probabilité de blessures corporelles et/ou de dommages pour le produit.

ATTENTION

ATTENTION - Risques ou pratiques dangereuses pouvant entraîner des blessures individuelles, des dégâts matériels ou des dommages au produit.

REMARQUE

REMARQUE - Information importante pour réaliser une installation et une utilisation sans problèmes.



AGA MARVEL s'engage à fabriquer un produit de qualité d'une manière ne nuisant pas à l'environnement. Nos procédés sont sévèrement contrôlés et surveillés de près. Nous avons obtenu les certifications ISO 9001 d'assurance qualité, et ISO 14001 de gestion environnementale, et OHSAS 18001 pour hygiène et sécurité du travail de Lloyd's Register Quality Assurance.

DÉBALLAGE DE VOTRE RÉFRIGÉRATEUR DISTRIBUTEUR

⚠ AVERTISSEMENT

RISQUE DE POIDS EXCESSIF

Utilisez deux personnes ou plus pour bouger et empiler le produit. Sinon vous pourriez souffrir du dos ou d'une autre blessure.

Enlèvement de l'emballage

Votre réfrigérateur a été emballé pour l'expédition avec toutes les pièces pouvant être endommagées par le mouvement solidement attachées. Coupez le matériau de fixation en bas du carton, dépliez le carton par le bas et enlevez-le de l'appareil. Enlevez le sac en plastique, les cales d'angle en polystyrène expansé, et toutes les bandes adhésives maintenant la porte fermée et les composants à l'intérieur en place.

Le manuel de l'utilisateur est envoyé à l'intérieur du réfrigérateur dans un sac en plastique, accompagné de la carte d'enregistrement de la garantie.

Important

Conservez votre carton et l'emballage jusqu'à ce que votre réfrigérateur ait été complètement inspectée et trouvée en bon état. S'il présentait des dommages, cet emballage serait nécessaire comme preuve qu'ils sont survenus durant le transit. Ensuite veuillez mettre toutes les parties de l'emballage au rebut de façon responsable, en particulier les sacs en plastique qui constituent un danger d'étouffement.

Note pour le client

Cette marchandise a été soigneusement et complètement inspectée avant de quitter notre usine. La responsabilité pour sa livraison sûre a été assumée par le revendeur à l'acceptation de cette expédition. Les réclamations pour perte ou dommages survenus durant le transit sont à adresser au revendeur.

NE RENVOYEZ PAS DE MARCHANDISE ENDOMMAGÉE AU FABRICANT – DÉPOSEZ UNE RÉCLAMATION AUPRÈS DU REVENDEUR.

⚠ ATTENTION

Si l'appareil a été livré étant sur le dos, ou y est resté pendant une durée quelconque, laissez le réfrigérateur reposer debout pendant au moins 24 heures avant de la brancher électriquement. Cela assurera le retour de l'huile au compresseur. Un branchement immédiat du réfrigérateur pourrait endommager des parties internes.

Enregistrement de la garantie

Il est important que vous postiez votre carte de garantie immédiatement après avoir pris livraison de votre réfrigérateur.

Les informations suivantes seront nécessaires au moment de l'enregistrement de votre appareil :

- Référence de service
- Numéro de série
- Date d'achat
- Nom et adresse du revendeur

La référence de service et son numéro de série se trouvent sur la plaque signalétique qui est située dans le réfrigérateur, du côté gauche vers le haut du revêtement (Voir la Figure 1).


AGA MARVEL		R134A	<input type="text"/> oz
MODEL NO.	<input type="text"/>		
SERVICE NO.	<input type="text" value="XXXXXXXX"/>	REV.	<input checked="" type="checkbox"/>
SERIAL NO.	<input type="text" value="XXXXXXXXXXXXXXXX"/>		
	HZ <input type="text"/>	VOLTS <input type="text"/>	AMPS <input type="text"/>
	TEST PRESSURE		140 PSI LOW SIDE 300 PSI HIGH SIDE

Figure 1

⚠ ATTENTION

Contribuez à éviter des tragédies

L'emprisonnement d'enfants et leur asphyxie ne sont pas des problèmes du passé. Des épaves de réfrigérateurs abandonnés continuent de présenter un danger - même en restant dehors pour "juste quelques jours".

Si vous devez vous débarrasser de votre vieil appareil de refroidissement, veuillez suivre ces instructions pour aider à éviter des accidents possibles.

Avant de jeter votre vieux réfrigérateur ou congélateur :

- Démontez ses portes ou enlevez ses tiroirs.
- Laissez les tablettes en place de façon à ce que des enfants ne puissent pas facilement monter dedans

INSTALLATION DE VOTRE RÉFRIGÉRATEUR DISTRIBUTEUR

Choix de l'emplacement

Un bon emplacement assurera une performance de pointe pour votre appareil. Nous recommandons un endroit où l'appareil ne sera pas exposé directement au rayonnement solaire et restera écartée de sources de chauffage. Pour assurer que les performances de votre produit soient au niveau de ses spécifications, la plage de températures recommandée au lieu d'installation sera de 65 à 80°F (18 à 27 °C) pour des appareils encastrés, et de 65 à 90°F (18 à 32 °C) pour des appareils autonomes.

Écartements par rapport à l'armoire

Une ventilation est nécessaire depuis la section frontale du bas de l'armoire. Gardez cette zone libre et exempte de toutes obstructions. Des meubles et comptoirs peuvent être installés autour de l'appareil de façon adjacente dans la mesure où l'accès à sa grille et sa porte restera non obstrué.

⚠ ATTENTION

Installation à l'extérieur

Seul le modèle 6OHK convient pour une installation à l'extérieur.

Les normes de construction peuvent exiger une prise secteur avec disjoncteur sur fuite à la terre pour fournir l'alimentation de l'appareil installé à l'extérieur (consultez la section "Connexion électrique").

Ne faites pas l'installation dans un environnement où l'appareil serait exposé au rayonnement solaire direct, car cela nuirait à sa bonne performance.

⚠ ATTENTION

Grille frontale

N'obstruez pas la grille frontale. Les ouvertures au travers de la grille frontale permettent l'écoulement de l'air par l'échangeur thermique du condenseur. Des restrictions de ce flux d'air vont augmenter la consommation d'énergie et affecter sa capacité de refroidissement. C'est pourquoi, il est important que cette zone ne soit pas obstruée et soit maintenue propre. AGA MARVEL recommande de ne pas utiliser de grilles personnalisées, car l'écoulement d'air en serait diminué du fait d'ouvertures insuffisantes (Voir la Figure 2).

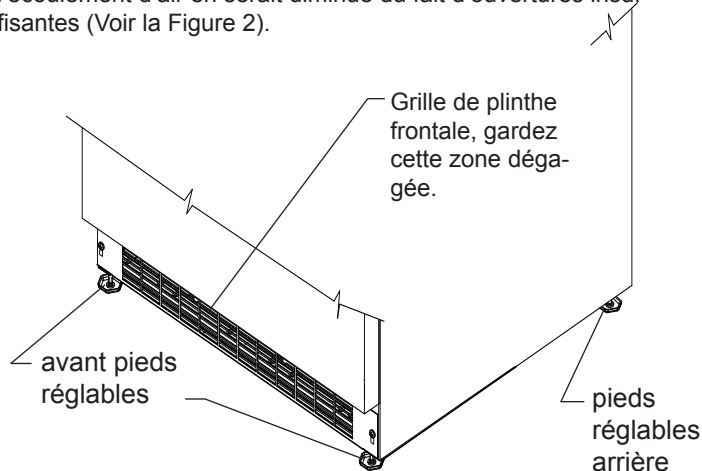


Figure 2

Pieds de mise à niveau

Des pieds réglables aux angles avant et arrière de l'armoire doivent être ajustés pour qu'elle soit fermement positionnée au sol et bien d'aplomb, d'un côté à l'autre et d'avant en arrière. La hauteur totale de votre appareil Marvel peut être ajustée entre 33 $\frac{3}{4}$ " (85,7 cm) quand ses pieds de mise à niveau sont vissés, et 34 $\frac{3}{4}$ " (88,3 cm) quand ils sont sortis.

Pour régler ces pieds de mise à niveau, placez le réfrigérateur sur une surface solide, en protégeant le sol en dessous pour ne pas le rayer. Avec l'aide d'une autre personne, inclinez vers l'arrière de l'appareil pour accéder aux pieds de mise à niveau de l'avant. Levez ou abaissez ces pieds à la hauteur requise en les tournant. Répétez le processus pour l'arrière en basculant l'appareil vers l'avant en faisant attention à ce que la porte ne s'ouvre pas. Sur une surface plane, vérifiez le niveau de l'appareil et ajustez les pieds en conséquence.

Les vis de la grille frontale (grille de plinthe) peuvent être desserrées et la grille ajustée à la hauteur voulue. Quand le réglage est fait, resserrez les vis de la grille de plinthe (Voir la Figure 3).

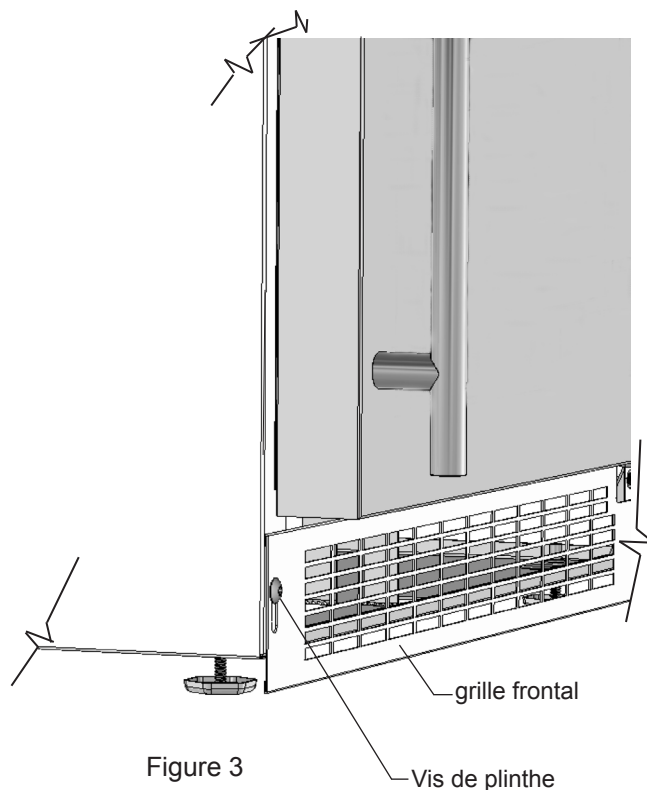


Figure 3

RACCORDEMENT ÉLECTRIQUE ET UTILISATION DE VOTRE RÉFRIGÉRATEUR

⚠ AVERTISSEMENT

Risque de commotion électrique

- N'utilisez pas de rallonge secteur avec ces appareils.
- N'enlevez pas la borne de terre de la fiche du cordon secteur.
- Ne pas utiliser un adaptateur
- La prise murale doit être située près du produit et être de type polarisé avec une bonne terre de protection. Le produit doit être installé en conformité avec vos normes de construction et réglementations locales.
- N'envoyez pas d'eau par éclaboussure ou par jet d'un tuyau sur les appareils. Cela pourrait causer une commotion électrique, entraînant potentiellement des blessures graves voire mortelles.

REMARQUE

Un disjoncteur sur détection de courant de fuite (GFCI) provoque des déclenchements intempestifs qui arrêtent l'appareil. Ce type de protection n'est en général pas utilisé sur de l'équipement électrique qui doit tourner sans surveillance pendant de longues périodes, sauf si c'est imposé par les normes de construction et réglementations locales.

Réglage de la commande de température :

Réglez initialement la commande de consigne de température au milieu, entre les chiffres (entre le 3 et le 4). Après au moins 2 heures, vous pouvez choisir la température qui vous convient. Plus le chiffre de consigne que vous choisissez est élevé, plus la température sera froide (Voir la Figure 5). La plage de températures disponible pour cet appareil refroidissement va de 33 à 52°F (1 à 11 °C).

Raccordement électrique

Un circuit secteur dédié en 115 V supportant 15 A est nécessaire.

Ce produit est équipé en usine d'un cordon secteur comportant une fiche avec terre à trois broches. Il faut la brancher dans une prise secteur correspondante avec terre, en conformité avec la norme électrique américaine et les normes et réglementations locales applicables (Voir la Figure 4). Si le circuit ne comporte pas une prise avec terre, le client doit en fournir une adéquate, c'est sa responsabilité. La troisième broche de terre ne doit en aucun cas être coupée ou enlevée.

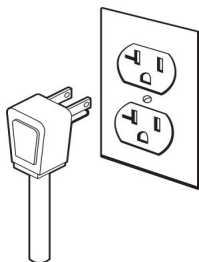


Figure 4

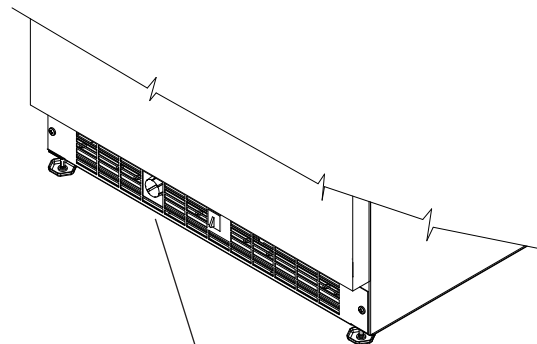
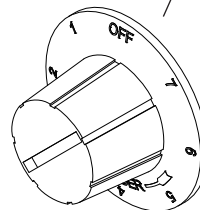


Figure 5

Commande du froid sous la porte de la grille



UTILISATION DE VOTRE RÉFRIGÉRATEUR

Rangement

Le réfrigérateur est livré avec deux (2) étagères fixées par bande en position la plus basse. Sortez-les et disposez-les comme suit quand vous configurerez votre réfrigérateur.

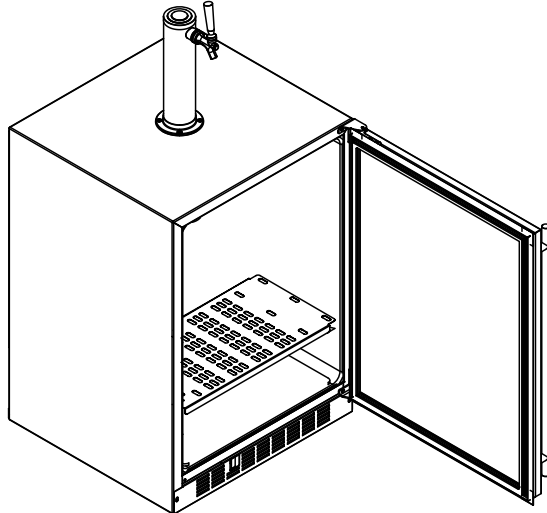
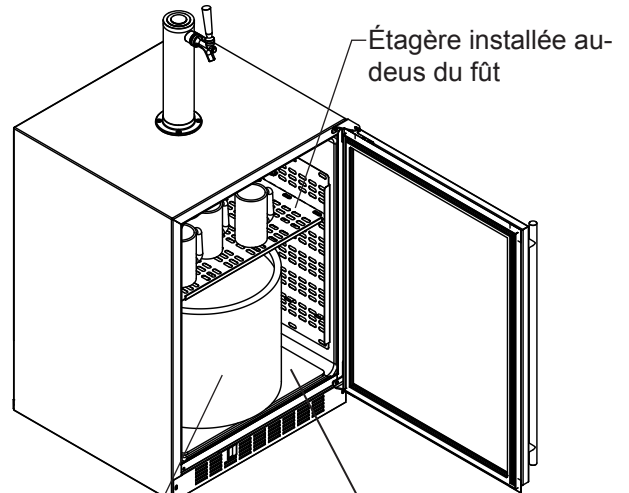


Figure 6

Si vous utilisez un quart de baril de bière (fût de 29,33 L), vous pouvez ajouter un espace sur étagère pour garder vos chopes réfrigérées. Le fût d'un quart de baril doit reposer sur le fond, il ne peut pas tenir sur l'étagère (Voir la Figure 8). Assurez-vous que la plaque blanche du fond soit au fond du compartiment intérieur avant de positionner le tonneau.



Quart de baril — Figure 8 — Plaque blanche du fond

Si vous ne servez pas de bière au robinet, votre distributeur de bière pression peut s'utiliser comme réfrigérateur en plaçant les deux étagères sur leurs supports comme c'est montré en Figure 7. Installez les étagères de façon à ce que leur plus large rebord soit vers l'avant.

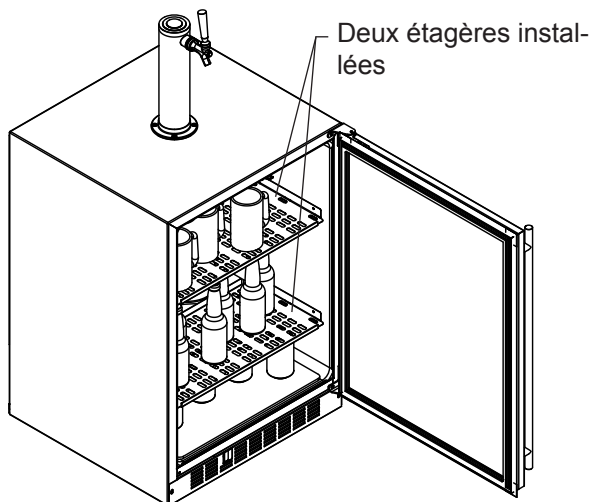
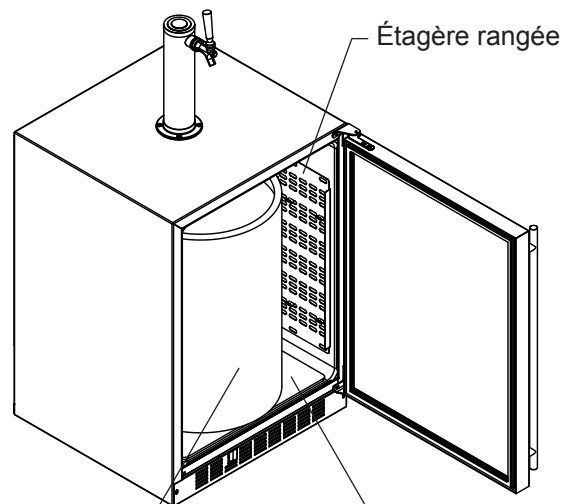


Figure 7

Si vous utilisez un demi-baril (fût de 59 L), placez les deux étagères de chaque côté du distributeur de bière pression sur les deux crochets de suspension (Voir la Figure 9).



Demi-baril (fût) — Figure 9 — Plaque blanche du fond

UTILISATION DE VOTRE RÉFRIGÉRATEUR

Le distributeur de bière supporte un baril d'un demi (1/2) ou d'un quart (1/4). Les distributeurs doubles de bière pression peuvent supporter deux barils de bière d'un sixième (1/6). Consultez le tableau ci-dessous pour la quantité de bière de chaque taille de baril.

	Tailles de baril		
	Baril 1/6	Baril 1/4	Baril 1/2
Hauteur	23 ⁵ / ₁₆ " (59.2 cm)	14 ¹³ / ₁₆ " (37.6 cm)	23 ⁵ / ₁₆ " (59.2 cm)
Diamètre	9 ¹ / ₄ " (23.5 cm)	17" (43.2 cm)	17" to 17 ¹ / ₄ " (43.2 to 43.8 cm)
Gallons	5.23	7.75	15.5
Nombre de verres de 12 onces	53	82	163

Tableau A

Taille de conteneur	Nombre par bouteille de CO ₂ de 5 livres
Corny de 5 gallons	15 à 22
Baril 1/6	14 à 21
Baril 1/4	10 à 14
Baril 1/2	5 à 7

Tableau B

Équipement de mise en perce et montage

Votre kit de distribution inclut les pièces suivantes :

Tour en acier inox poli avec conduit de bière transparent (distribution simple ou double)

Joint de tour

Vis à tête Phillips ovale

Bouton pour tour (poignée de robinet)

Coupleur(s) pour fûts de bière

Coude(s) de raccordement à 90°

Rondelle(s) caoutchouc noir

Régulateur pour CO₂ avec conduite(s) rouge(s) de gaz attachée(s)

Bouteille pour 5 livres de CO₂ vide

Attache(s) en plastique

Poignée de robinet

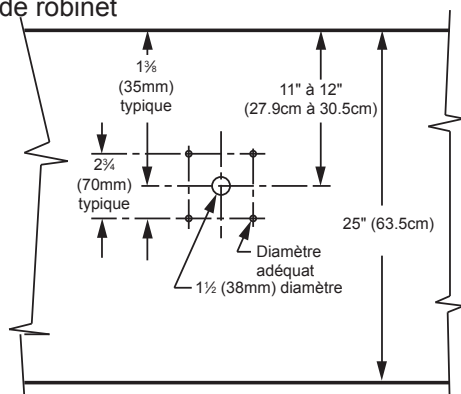


Figure 10

Outils nécessaires pour l'installation :

Tournevis à pointe Phillips

Pinces

Clé à molette ou clé à fourche de 1¹/₈"

⚠ AVERTISSEMENT

Le gaz CO₂ peut être dangereux. S'il devient difficile de respirer et/ou que vous commencez à avoir mal à la tête, cela peut être dû à une forte concentration de dioxyde de carbone. Quittez immédiatement la zone.

- La bouteille de CO₂ doit toujours être reliée au régulateur. Ne branchez jamais cette bouteille directement sur un fût.

- Cette bouteille de CO₂ doit être bien montée en position droite. Attachez-la avec la chaîne fournie.

- Ne jetez ou ne laissez tomber jamais la bouteille de CO₂.

- Gardez la bouteille de CO₂ à l'écart de la chaleur.

- Ventilez la zone après une éventuelle fuite de CO₂.

Procédure de montage :

1. Sortez les étagères et les composants emballés de l'intérieur du réfrigérateur avant d'entamer la procédure d'assemblage.

2. Amenez votre bouteille pour 5 livres de CO₂ vide chez votre fournisseur local de gaz pour la faire remplir. Vous pouvez en général trouver les fournisseurs dans les pages jaunes de l'annuaire aux rubriques "Fourniture pour soudeur" ou "Protection contre le feu". Une bouteille pleine de 5 livres peut traiter de nombreux fûts (Voyez le tableau B). Votre fournisseur doit vous fournir une rondelle en plastique à chaque remplissage de la bouteille.

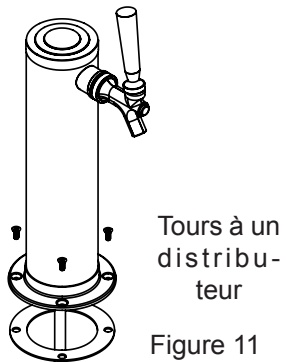
3. Montage de tour (si vous installez l'appareil sous un comptoir, passez directement à l'étape 3). Si vous montez la tour directement en haut du réfrigérateur, ôtez d'abord les quatre vis du haut du réfrigérateur. Passez la conduite d'alimentation en bière au travers du joint de la tour et du gros trou dans le haut du réfrigérateur. Alignez les 4 trous dans la tour avec les 4 du haut de réfrigérateur, et fixez la tour avec les 4 vis retirées précédemment. Passez à l'étape 4.

4. Si vous installez votre réfrigérateur à fûts sous un comptoir, vous devrez percer 5 trous dans le dessus de comptoir pour y monter la tour. Le premier de ces trous fait 1¹/₂" de diamètre au centre de l'emplacement de la tour, pour la conduite de bière, à situer à environ 28-30 cm du mur du fond (sur la base d'une largeur de comptoir standard de

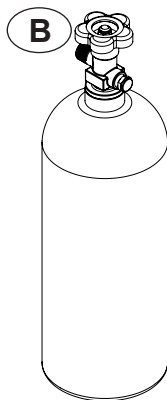
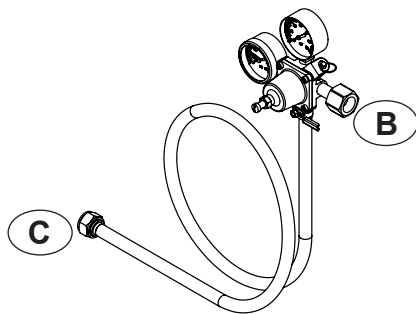
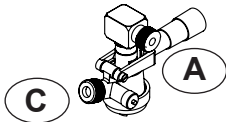
UTILISATION DE VOTRE RÉFRIGÉRATEUR

Kit de tour à distribution unique

Relier **A** à **A**, etc.....

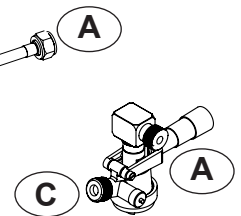
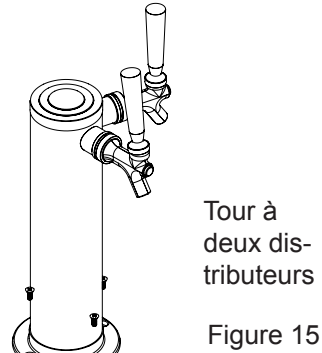


Coupleur pour fût

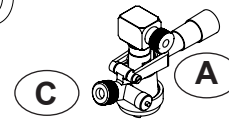


Kit de tour à distribution double

Relier **A** à **A**, etc.....

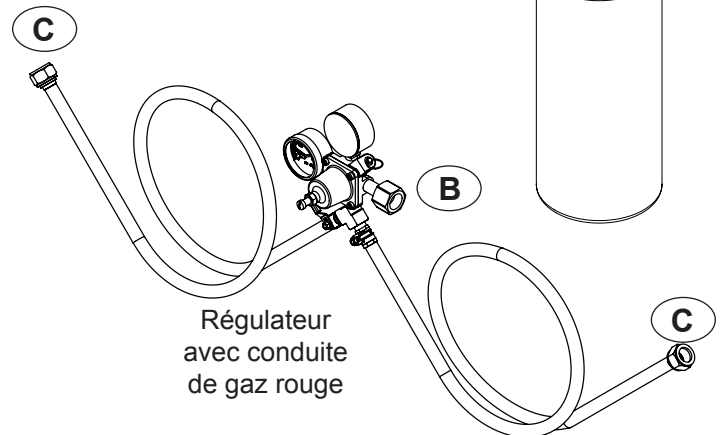
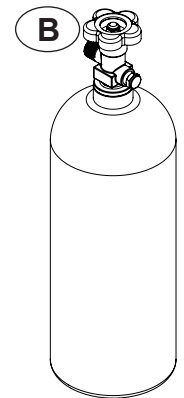


Coupleur pour fût



Bouteille de CO₂ de 5 livres

Figure 18



UTILISATION DE VOTRE RÉFRIGÉRATEUR

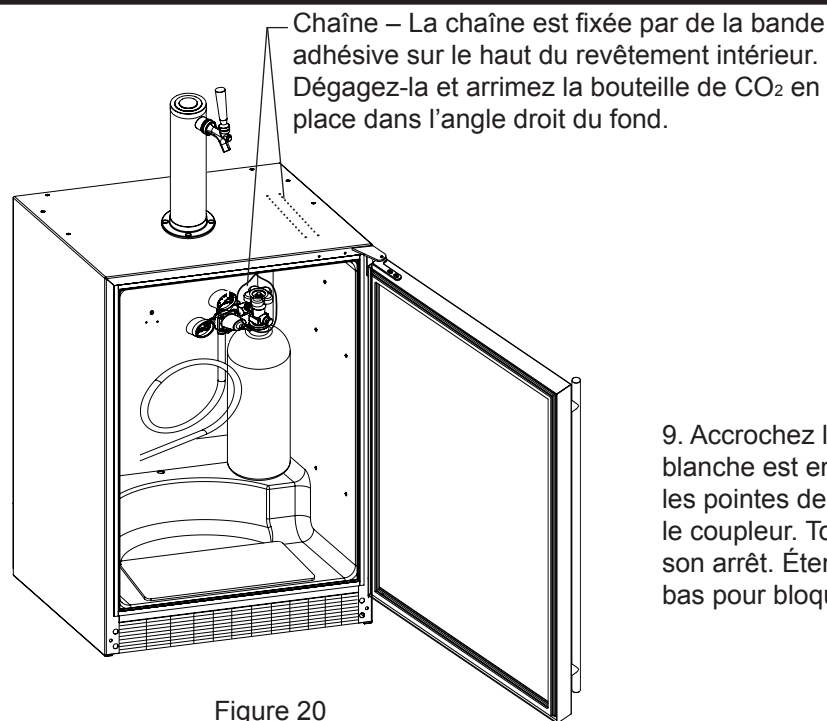






Figure 20

9. Accrochez le coupleur sur le fût. Vérifiez que la poignée blanche est en position levée comme c'est montré. Alignez les pointes de col sur le goulot de fût avec l'ouverture dans le coupleur. Tournez le coupleur en sens horaire  jusqu'à son arrêt. Étendez la poignée blanche et poussez-la vers le bas pour bloquer.

25"). Ensuite vous percez 4 trous de montage selon les dimensions de la Figure 10. Leur diamètre dépend du matériau du haut de comptoir et de l'éventuelle nécessité de chevilles. Les vis fournies sont dans le paquet de la littérature, ce sont des vis en acier inox type AB de 10 x 1". Une fois les trous percés et le réfrigérateur pour fûts en place sous le dessus de comptoir, passez la conduite de bière au travers du joint de la tour, dans le trou de 1½" dans le dessus de comptoir, et le trou en haut du réfrigérateur pour fûts. Montez la tour sur le dessus de comptoir avec les 4 vis fournies.

5. Montez le régulateur sur la bouteille de CO₂ tank (connexion ) en utilisant la rondelle en plastique neuve reçue du fournisseur de gaz au remplissage. Notez que le régulateur a un filetage inversé et qu'il faut tourner en sens antihoraire pour le fermer. Serrez avec une clé à molette ou une clé à fourche de 1½".

6. Mettez une rondelle noire dans l'écrou de la conduite d'air rouge, et vissez cet écrou sur le raccord du coupleur du tonneau (connexion ) .

7. Placez une rondelle noire dans le raccord d'extrémité en acier inox de la conduite transparente de bière venant de la tour, et vissez cette extrémité dans le coude à 90° en haut du coupleur de fût (connexion ) .

8. Positionnez la bouteille de CO₂ dans l'angle du réfrigérateur comme c'est montré en Figure 20 et attachez-la avec la chaîne.

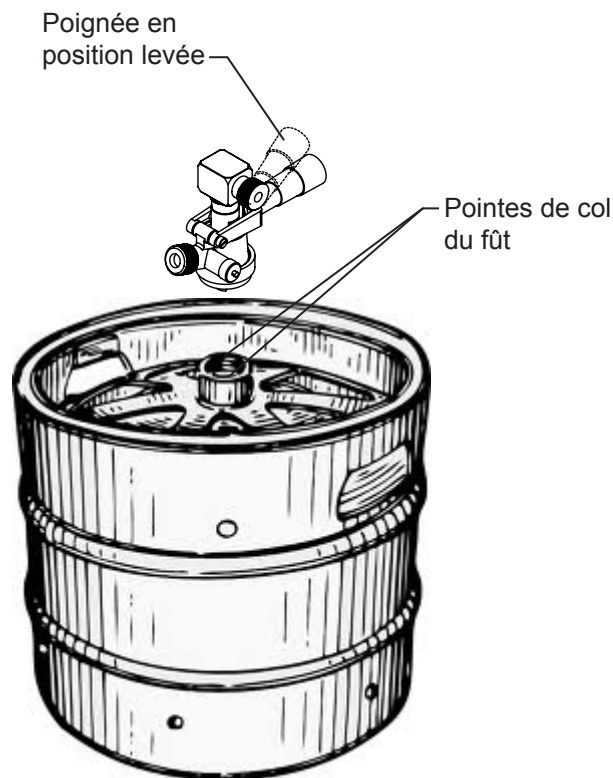


Figure 21

UTILISATION DE VOTRE RÉFRIGÉRATEUR

Régulateur de CO₂

Votre distributeur de bière est livré équipé avec une bouteille de CO₂ de 5 livres et un régulateur à deux manomètres. Le manomètre inférieur doit indiquer environ 750 psi (52 bar) quand la bouteille est correctement remplie et avant d'être mise dans le réfrigérateur (à température ambiante). L'indication sera plus faible avec la bouteille réfrigérée. Utilisez ce manomètre inférieur comme indicateur de la quantité de gaz qui reste dans la bouteille.

Le manomètre supérieur indique la pression qui est envoyée au fût de bière. Suivez la procédure ci-dessous pour régler la pression qui doit être environ de 12 - 14 psi (0,8 à 1 bar) pour de la bière lager, ou de 9 - 12 psi (0,6 à 0,8 bar) pour de la bière ale.

Réglage de la pression :

1. Coupez la vanne de fermeture en bas du régulateur.
2. Assurez-vous que la poignée de robinet est en position fermée sur la tour (voir la Figure 24).
3. Desserrez le contre-écrou en tournant en sens antihoraire \curvearrowright en utilisant la clé à fourche de $\frac{1}{2}$ " jusqu'à ce qu'il soit lâche, cela va permettre l'ajustement de la vis de réglage.
4. Tournez cette vis en sens horaire \curvearrowleft pour augmenter la pression, ou en sens antihoraire \curvearrowright pour la diminuer.
5. Ouvrez la vanne de fermeture en bas du régulateur. La lecture au manomètre peut retomber mais se rétablit rapidement.
6. Tirez l'anneau sur le coupleur de fût pour permettre au gaz de circuler momentanément.
7. Effectuez toutes les retouches de réglage nécessaires en jouant sur la vis.
8. Resserrez le contre-écrou avec la clé à fourche de $\frac{1}{2}$ " en tournant en sens horaire la clé à fourche de $\frac{1}{2}$ "

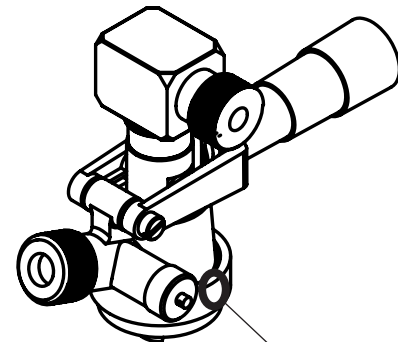
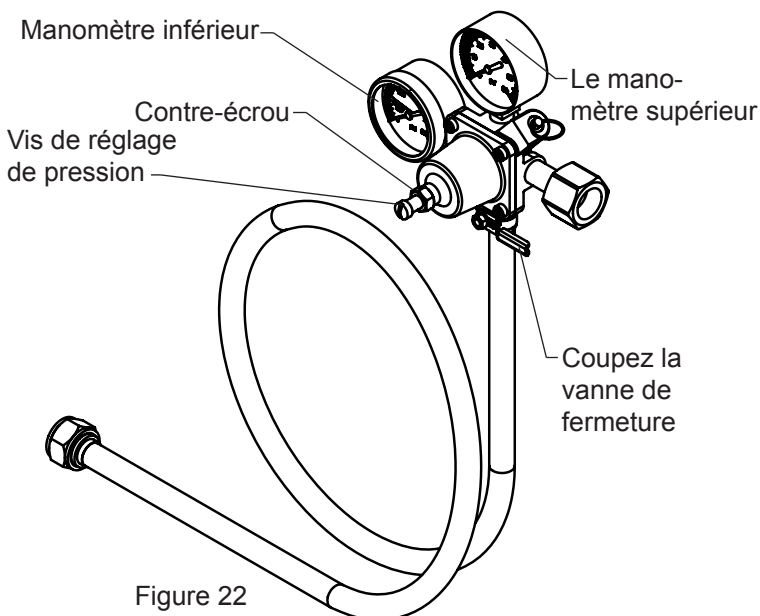


Figure 23 — l'anneau sur le coupleur de fût

Plateau d'égouttage (Standard)

Placez le plateau d'égouttage sur le dessus du meuble, devant la tour, comme c'est montré en Figure 24.

Repoussez la poignée de robinet en arrière vers la tour pour fermer le robinet.

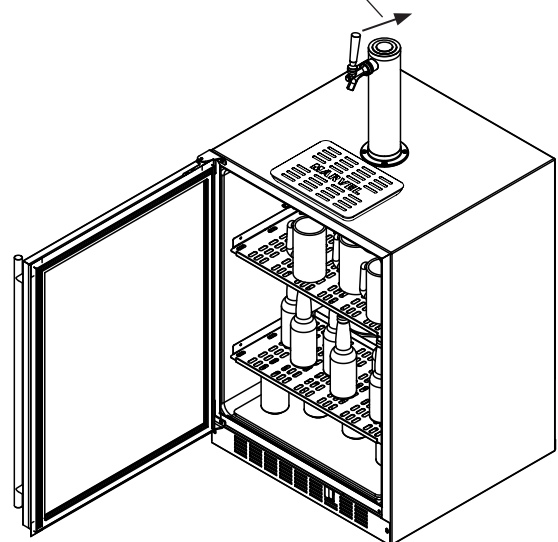
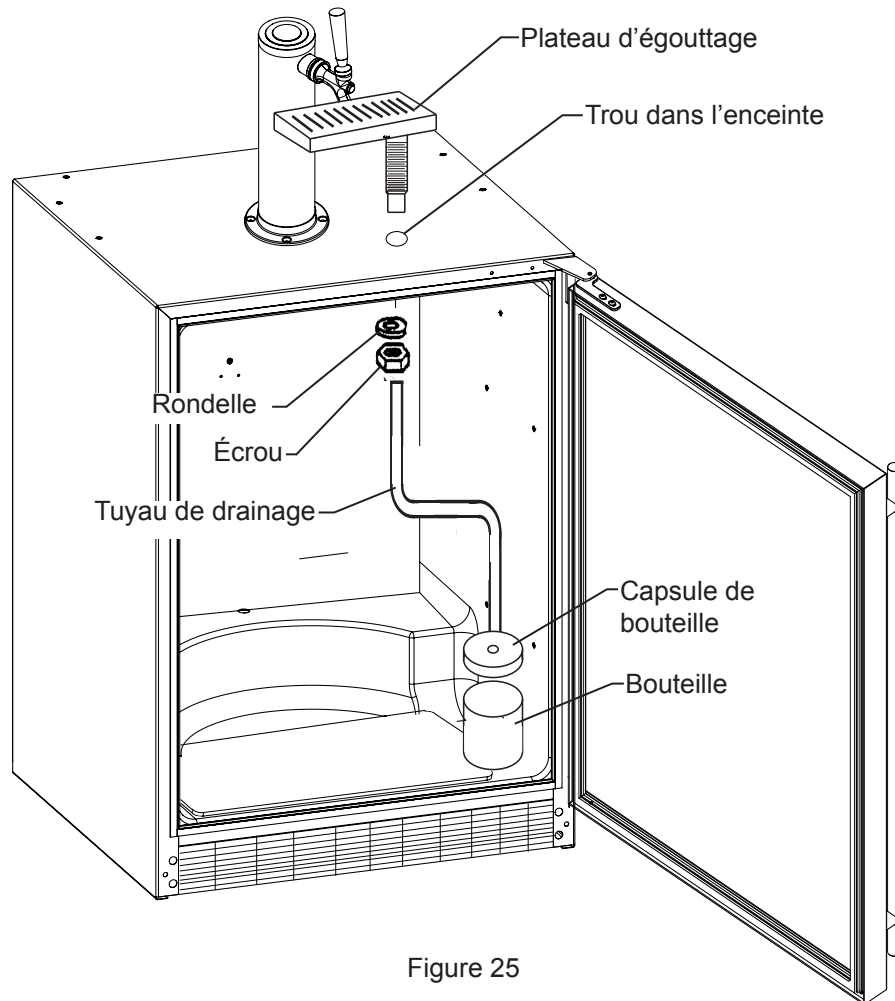


Figure 24

INSTALLATION D'UN KIT DE DRAINAGE (OPTIONNEL)



Installation du kit de drainage : (Voyez la Figure 25).

1. Sortez la boîte en carton contenant le plateau d'égouttage de l'intérieur de l'appareil et sortez les pièces de cette boîte.
2. Ôtez l'écrou et la rondelle du bac d'égouttage.
3. Poussez la tige filetée hors du bac d'égouttage au travers du trou en haut de l'appareil, et fixez le bac de l'intérieur de l'appareil en mettant rondelle et écrou sur la tige. Ne serrez pas l'écrou avec excès.
4. Poussez une extrémité du tuyau de drainage par-dessus le bout de la tige du bac d'égouttage.
5. Poussez l'autre extrémité de ce tuyau au travers du trou au centre du capuchon. L'adaptation doit être étroite.

6. Vissez la bouteille sur le capuchon et mettez le tout dans l'appareil.

Nettoyage de la bouteille :

Quand la bouteille est pleine, dévissez-la du capuchon et allez la vider. Cette bouteille peut se laver à l'eau savonneuse chaude.

ENTRETIEN ET NETTOYAGE

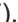
Nettoyage et entretien du système de distribution

Le système de distribution a besoin d'être nettoyé entre ses utilisations pour éviter du gaspillage et/ou un mauvais goût pour la bière.

Kit de nettoyage de robinetterie

C'est un article optionnel (N° de pièce 42242373), ce kit inclut tout ce qu'il faut pour nettoyer rapidement la robinetterie. Solution de nettoyage, pompe, bouteille pour mélange, brosse et clé.

Nettoyage de robinet

Arrêtez l'arrivée de gaz à la vanne de coupure sous le régulateur (Voyez la Figure 22), et ouvrez le robinet de bière pour relâcher la pression. Pour ôter le distributeur de la tour, utilisez la clé tricoise fournie. Placez la pointe de la clé dans le trou sur le collier du robinet, et tournez en sens horaire  pour démonter le robinet (Voyez la Figure 27).

Enlevez le capuchon moleté du corps de robinet juste sous la poignée, et retirez l'ensemble de poignée du robinet. Cela va permettre d'ôter l'axe de l'arrière du robinet (voyez la Figure 26).

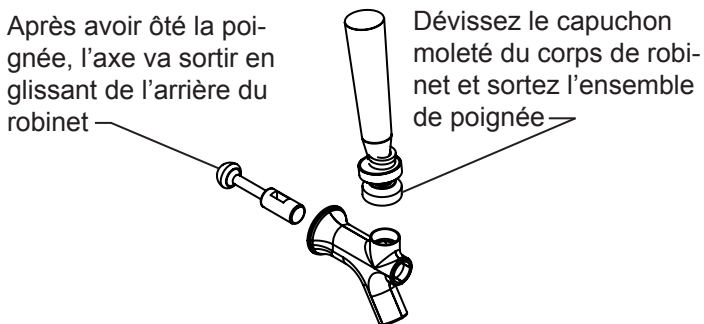


Figure 26

Faites tremper les parties du robinet dans de l'eau potable ou dans une solution d'eau assainissante chaude. N'utilisez pas de savon.

Réassemblez le robinet, remontez-le sur la tour (assurez-vous que le robinet est bien en position fermée), et rétablissez l'arrivée du gaz.

Nettoyage du coupleur de fût

Sortez le coupleur de fût du fût si nécessaire. Coupez l'arrivée de gaz au robinet sous le régulateur, enlevez la conduite de gaz rouge et la conduite de bière transparente du coupleur de fût, en utilisant une clé à fourche de 1" ou une clé anglaise. Enlevez le coude à 90° du haut du coupleur de fût (Voyez en Figure 28). Faites tremper toutes les parties dans de l'eau chaude ou une solution assainissante. Laissez sécher toutes les parties et remontez-les.

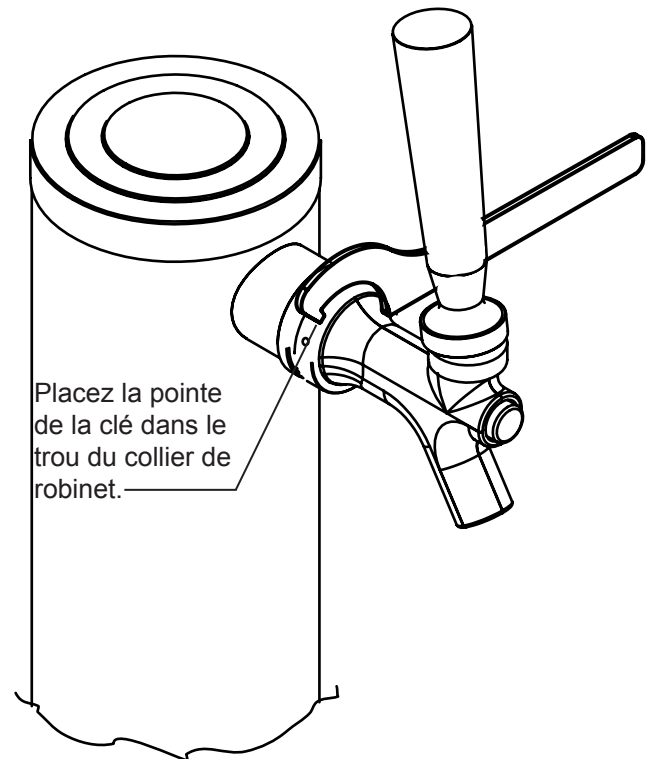


Figure 27

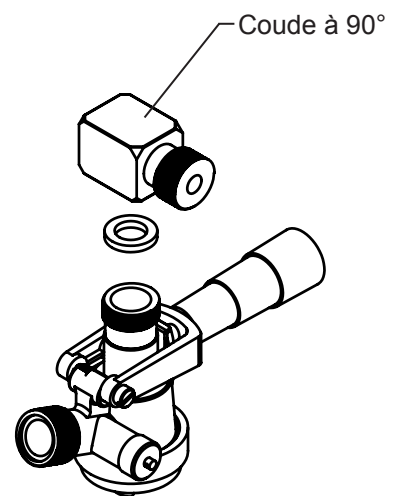


Figure 28

ENTRETIEN ET NETTOYAGE ET CONSEILS POUR LES ÉCONOMIES D'ÉNERGIE

Armoire

L'armoire peinte peut se laver avec une solution savonneuse douce, puis soigneusement se rincer à l'eau potable. N'utilisez JAMAIS de produits nettoyants abrasifs.

Intérieur

Lavez le compartiment intérieur avec une solution savonneuse douce. N'utilisez pas de nettoyant abrasif, de solvant, de produit nettoyant/polissant ou de détergent non-dilué.

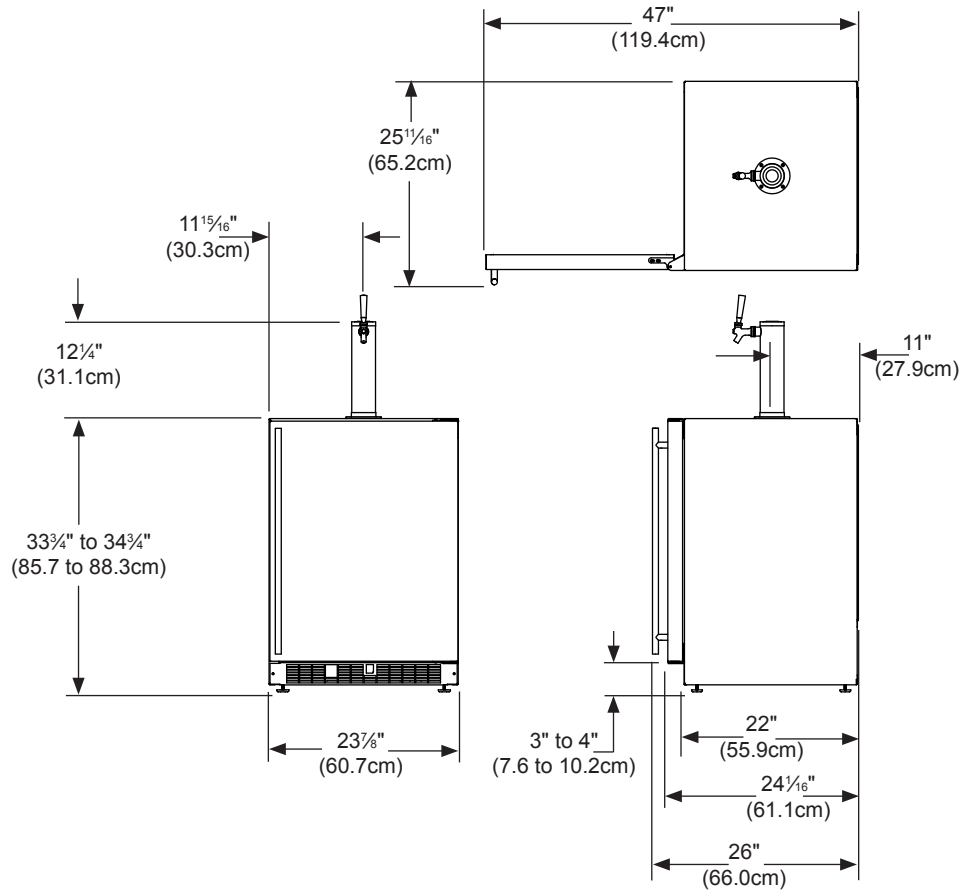
Entretien de l'appareil

1. Évitez de vous appuyer sur la porte, vous pourriez déformer ses charnières ou faire basculer l'appareil.
2. Faites attention quand vous balayez, aspirez ou passez la vadrouille près de l'avant de l'appareil. Vous pourriez endommager sa grille.
3. Nettoyez périodiquement l'intérieur de l'appareil selon le besoin.
4. Vérifiez périodiquement la grille frontale et les serpentins de condenseur, et nettoyez-les si nécessaire.

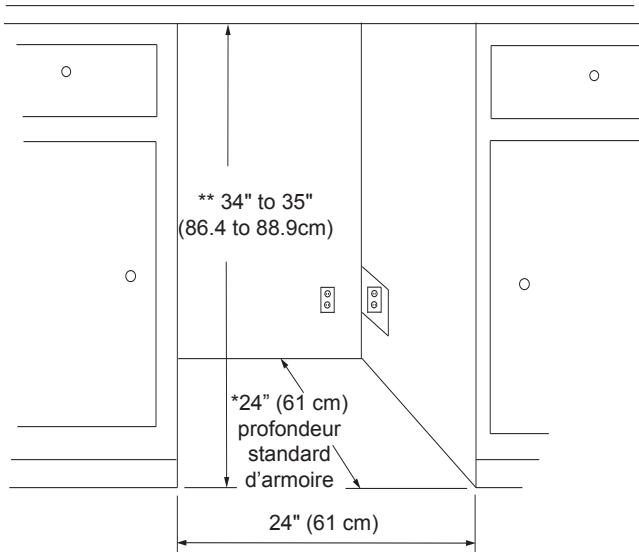
Les suggestions générales suivantes vont minimiser le coût de fonctionnement de votre machine à glaçons.

1. N'installez pas votre appareil près d'un autre appareil chaud (cuisinière, lave-vaisselle, etc.), d'une conduite d'air chaud, ou d'autres sources de chaleur.
2. Placez l'appareil à l'abri du rayonnement solaire direct.
3. Assurez-vous que les événements de la grille de plinthe devant l'appareil en bas de la porte ne sont pas obstrués et maintenus propres de façon à permettre une ventilation du système de refroidissement et chasser la chaleur.
4. Branchez votre appareil sur un circuit d'alimentation secteur dédié (Sans partage avec d'autres appareils).
5. Quand vous chargez initialement votre produit neuf, ou au cas où de grosses quantités de contenu tiède sont placées dans le compartiment de conservation au froid, minimisez les ouvertures de porte pendant les 12 heures qui suivent pour permettre au contenu de tomber à la température de consigne du compartiment.
6. En maintenant un compartiment d'entreposage relativement plein, il faut moins de périodes de fonctionnement en refroidissement de l'appareil qu'avec un compartiment vide.
7. Assurez-vous que la fermeture de porte n'est pas obstruée par des denrées entreposées dans votre appareil.
8. Permettez aux denrées chaudes de revenir à la température ambiante avant de les placer dans l'appareil.
9. Minimisez la fréquence et la durée des ouvertures de porte.
10. Utilisez le point de consigne de température le plus haut qui respecte votre préférence personnelle, et fournissez l'entreposage qui convient pour vos denrées conservées.
11. Quand vous êtes en vacances ou loin de la maison pour des périodes prolongées, réglez la consigne de l'appareil à la température la plus haute admissible pour la conservation de son contenu.
12. Réglez le contrôle en position d'arrêt (off) si le nettoyage de l'appareil nécessite que sa porte reste ouverte pour une période longue.

DIMENSIONS POUR PORTE PLEINE DE 61HK



DIMENSIONS BRUTES D'OUVERTURE RECOMMANDÉES POUR PORTE PLEINE DE 61HK



⚠ ATTENTION

Besoins électriques : Un circuit secteur dédié en 115 V supportant 15 A est nécessaire. Une prise avec protection GFCI peut être nécessaire avec les modèles pour extérieur.

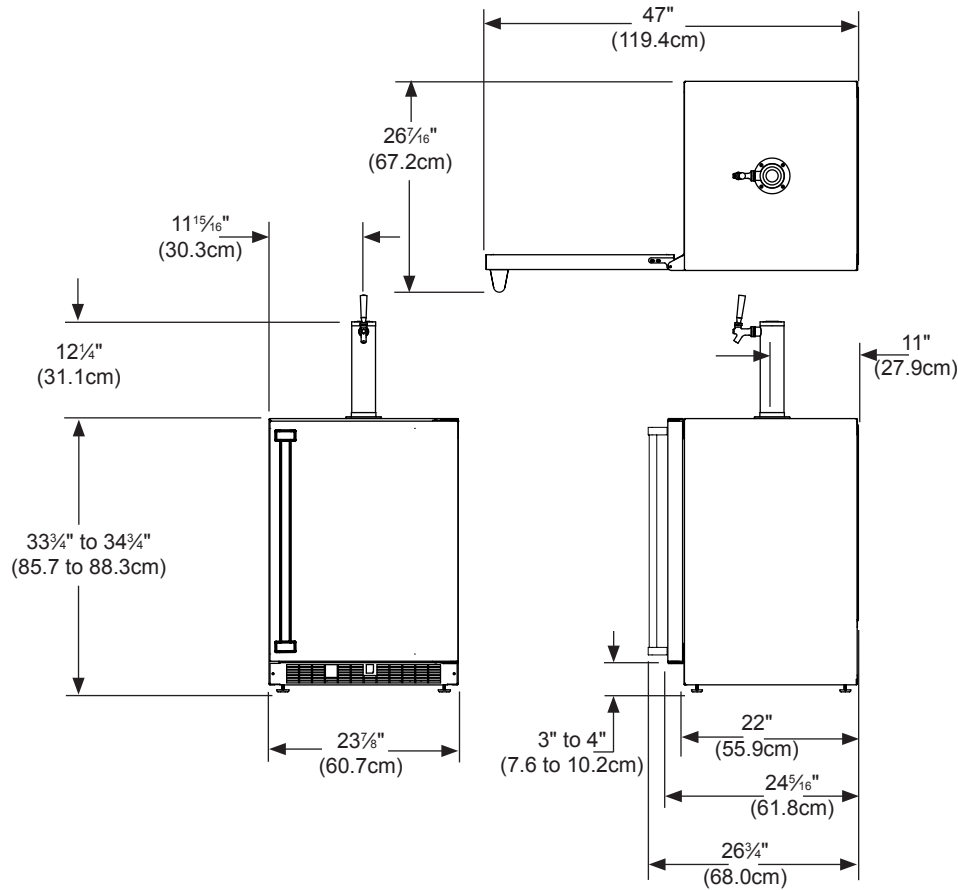
La prise secteur peut être située sur la cloison murale derrière l'appareil. Ajoutez 1 pouce (2,5 cm) pour l'épaisseur de la fiche, ou encastrez la prise de cette profondeur dans la cloison. La prise secteur peut aussi être installée dans un meuble adjacent, avec une découpe pour faire passer le cordon secteur. Appliquez toutes les normes de construction locales à l'installation de l'électricité et de l'appareil.

Poids de l'appareil = 140 lbs. (63,6 kg)

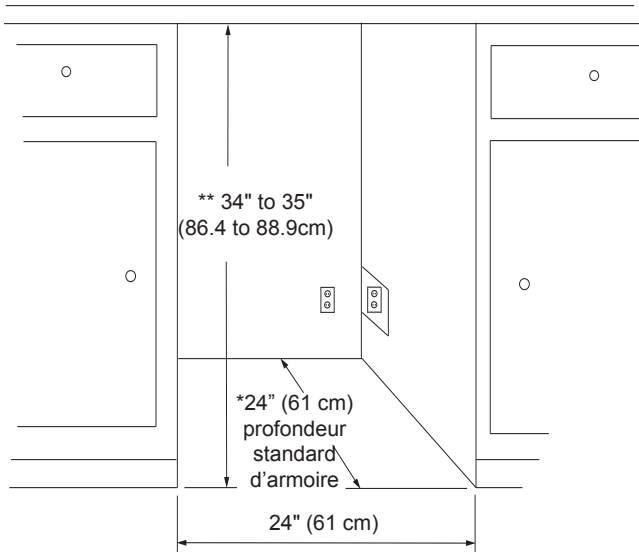
* La dimension en profondeur peut varier selon chaque installation individuelle.

**Minimum rugueuse à l'ouverture requise est d'être supérieure à la hauteur ajustée de l'armoire.

DIMENSIONS POUR PORTE PLEINE DE 60HK-SS



DIMENSIONS BRUTES D'OUVERTURE RECOMMANDÉES POUR PORTE PLEINE DE 60HK-SS



⚠ ATTENTION

Besoins électriques : Un circuit secteur dédié en 115 V supportant 15 A est nécessaire. Une prise avec protection GFCI peut être nécessaire avec les modèles pour extérieur.

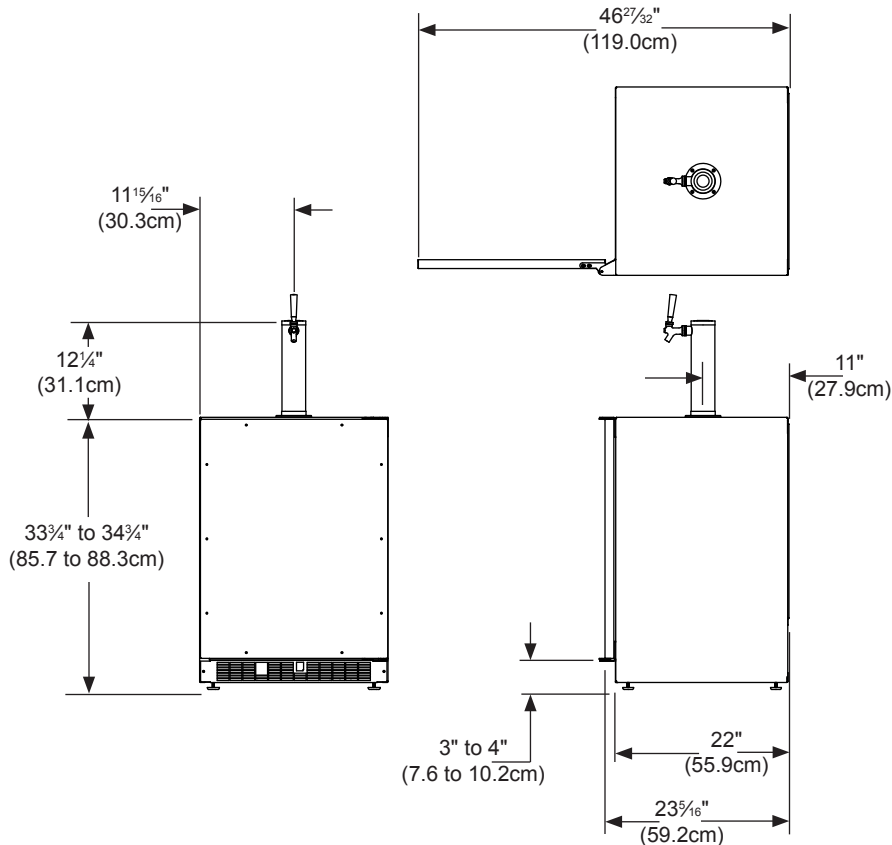
La prise secteur peut être située sur la cloison murale derrière l'appareil. Ajoutez 1 pouce (2,5 cm) pour l'épaisseur de la fiche, ou encastrez la prise de cette profondeur dans la cloison. La prise secteur peut aussi être installée dans un meuble adjacent, avec une découpe pour faire passer le cordon secteur. Appliquez toutes les normes de construction locales à l'installation de l'électricité et de l'appareil.

Poids de l'appareil = 140 lbs. (63,6 kg)

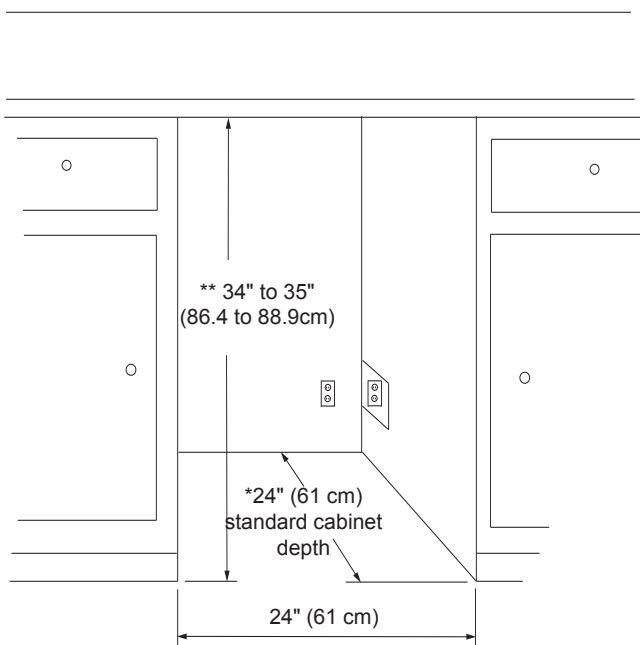
* La dimension en profondeur peut varier selon chaque installation individuelle.

**Minimum rugueuse à l'ouverture requise est d'être supérieure à la hauteur ajustée de l'armoire.

DIMENSIONS POUR PORTE À REVÊTEMENT PLEIN DE MODÈLE 61HK



DIMENSIONS BRUTES D'OUVERTURE RECOMMANDÉES POUR PORTE À REVÊTEMENT DE 61HK



ATTENTION

Besoins électriques : Un circuit secteur dédié en 115 V supportant 15 A est nécessaire. Une prise avec protection GFCI peut être nécessaire avec les modèles pour extérieur.

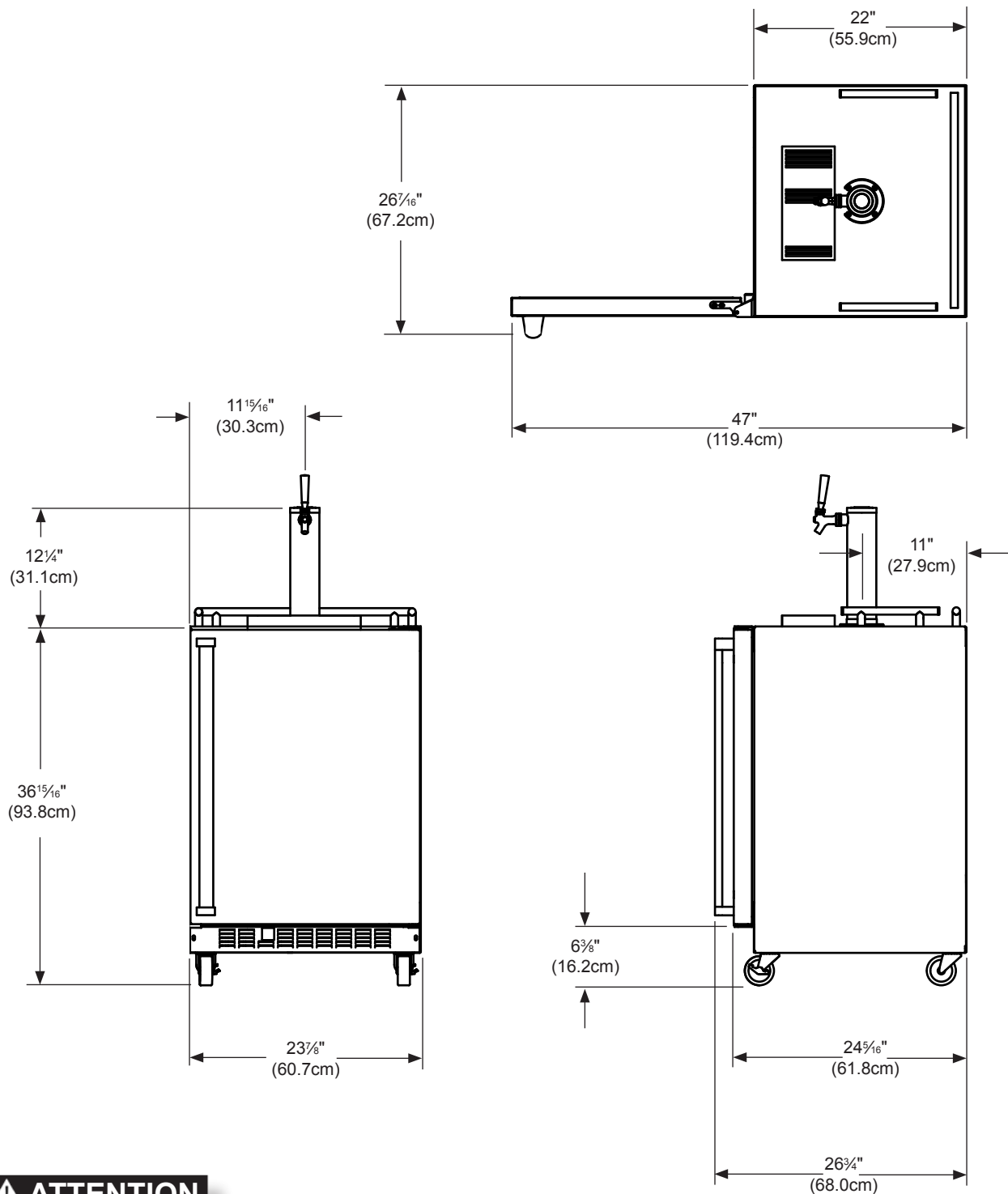
La prise secteur peut être située sur la cloison murale derrière l'appareil. Ajoutez 1 pouce (2,5 cm) pour l'épaisseur de la fiche, ou encastrez la prise de cette profondeur dans la cloison. La prise secteur peut aussi être installée dans un meuble adjacent, avec une découpe pour faire passer le cordon secteur. Appliquez toutes les normes de construction locales à l'installation de l'électricité et de l'appareil.

Poids de l'appareil = 140 lbs. (63,6 kg)

* La dimension en profondeur peut varier selon chaque installation individuelle.

** Minimum rugueuse à l'ouverture requise est d'être supérieure à la hauteur ajustée de l'armoire.

DIMENSIONS POUR PORTE PLEINE DE 60HK-SSX



⚠ ATTENTION

Besoins électriques : Un circuit secteur dédié en 115 V supportant 15 A est nécessaire. Une prise avec protection GFCI peut être nécessaire avec les modèles pour extérieur.

La prise secteur peut être située sur la cloison murale derrière l'appareil. Appliquez toutes les normes de construction locales à l'installation de l'électricité et de l'appareil.

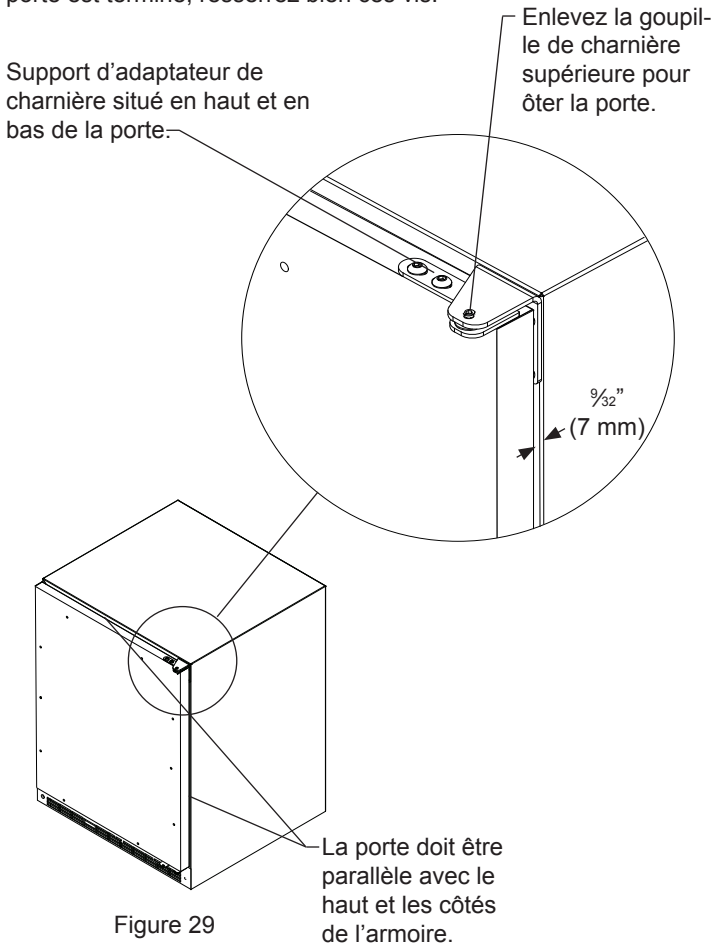
Poids de l'appareil = 150 lbs. (68,2 kg)

INSTRUCTIONS D'INSTALLATION DE PANNEAU DE REVÊTEMENT COMPLET

⚠ ATTENTION

Étape 1 : Vérification de l'alignement de porte

Vérifiez que la porte est correctement alignée par rapport à l'armoire avant de fabriquer le panneau sur mesures. Sinon cela peut amener un désalignement du panneau sur mesures avec le support de charnière. La porte doit être parallèle avec les côtés et le dessus de l'armoire. Si un alignement est nécessaire, la porte peut être ajustée en desserrant les deux vis qui tiennent les supports d'adaptateur de charnière supérieure et/ou inférieure, situées en haut et en bas de la porte, et en réglant la porte d'un côté par rapport à l'autre. Utilisez une clé Allen de $\frac{5}{32}$ " pour cette procédure (Voir la Figure 29 ci-dessous). Quand l'alignement de porte est terminé, resserrez bien ces vis.



Étape 2 : Démontage de la porte

Enlevez la goupille de charnière supérieure avec une clé Allen de $\frac{1}{8}$ ". Enlevez la porte en inclinant sa partie haute vers l'extérieur et en la soulevant pour la sortir de la charnière inférieure (Voir le détail en Figure 29).

Étape 3 : Enlèvement de joint

Posez la porte sur sa face avant en faisant attention de ne pas la rayer. Pour avoir accès aux trous de vis de montage, enlevez le joint de porte en le tirant pour le sortir de sa rainure.

Étape 4 : Découpe du panneau de revêtement

Selon le modèle de réfrigérateur, découpez le panneau de revêtement aux dimensions montrées en Figure 30 qui suit.

REMARQUE

Pour un revêtement avec option de verrouillage, l'épaisseur de panneau doit faire $\frac{3}{4}$ " (19 mm) au maximum et $\frac{5}{8}$ " (16 mm) au minimum.

⚠ ATTENTION

Le poids du panneau de revêtement ne doit pas dépasser 20 lbs. (9,1 kg).

REMARQUE

Pour que la porte se ferme correctement, il est nécessaire de garder un espace de $\frac{3}{32}$ " (7 mm) au minimum entre la porte et le rebord de l'armoire (Voir la Figure 29). Cet espace peut se régler en ajustant les supports d'adaptateur de charnière en haut et en bas.

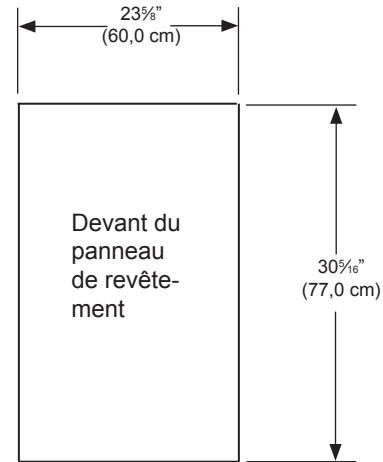


Figure 30

Étape 5 : Percez des trous de passage dans le panneau de revêtement

Posez le panneau de revêtement sur la face avant de la porte, alignez les bords et maintenez les deux ensemble. Maintenez fermement le panneau faites attention de ne pas abîmer la porte ou le panneau. Marquez le centre du trou d'adaptateur de charnière sur le panneau en bois, en haut et en bas (Voir la Figure 31). Enlevez le panneau en bois de la porte et percez des trous de passage de diamètre $\frac{5}{16}$ " (8 mm) dans le panneau sur une profondeur de $\frac{3}{4}$ " (20 mm). Ce seront les trous de passage pour les tiges de charnière du haut et du bas.

C'est également le bon moment pour localiser et percer les trous de votre poignée. Le plus souvent cette poignée doit être similaire à celles du mobilier environnant. Si votre poignée se fixe depuis la face arrière du panneau personnalisé, localisez les trous de montage pendant que le panneau est maintenu sur la porte et l'armoire.

Une fois le panneau retiré de la porte, percez les trous de montage depuis la face avant, au diamètre recommandé par le fabricant de poignée. Fraisez sur la face arrière du panneau de façon à ce que les têtes de vis n'interfèrent pas avec la surface de la porte.

INSTRUCTIONS D'INSTALLATION DE PANNEAU DE REVÊTEMENT COMPLET

Étape 6 : Percez les trous de montage du panneau

Maintenez à nouveau le panneau sur la porte comme à l'étape précédente et percez les avant-trous de vis, situés dans le logement de joint, afin de fixer le panneau de revêtement à la porte. Choisissez la taille du trou à partir du Tableau D. Veillez à ne pas percer ces avant-trous en traversant le panneau de revêtement, $\frac{1}{2}$ " (12,7 mm) de profondeur pour des panneaux de $\frac{3}{4}$ " (19 mm) et $\frac{5}{8}$ " (15,7 mm).

Type de matériau	Vis à bois #8
Bois dur	Avant trou Ø $\frac{1}{8}$ " (3,2 mm)
Bois tendre	Avant trou Ø $\frac{7}{64}$ " (2,8 mm)

Tableau C

REMARQUE

Si votre machine à glaçons possède un verrouillage de porte, passez à l'étape 7. Sinon sautez directement à l'étape 9.

Étape 7 : Marquez et percez le trou pour verrouillage

Localisez et marquez avec un crayon l'emplacement du trou de verrouillage sur le panneau de revêtement, c'est le trou dans l'angle supérieur du côté de la poignée de la porte. Enlevez le dispositif de maintien et enlevez le panneau de revêtement de la porte. Sur la face arrière du panneau où vous avez marqué l'emplacement de verrouillage, percez un contre-alésage de diamètre $\frac{3}{16}$ " (20,5 mm) de $\frac{7}{16}$ " (11,0 mm) de profondeur dans le panneau de revêtement. Percez un trou de diamètre $\frac{1}{2}$ " (12,0 mm) dans le panneau de revêtement au milieu de ce contre-alésage en prenant soin de ne pas faire éclater le bois sur la face avant du panneau (Voir la Figure 31).

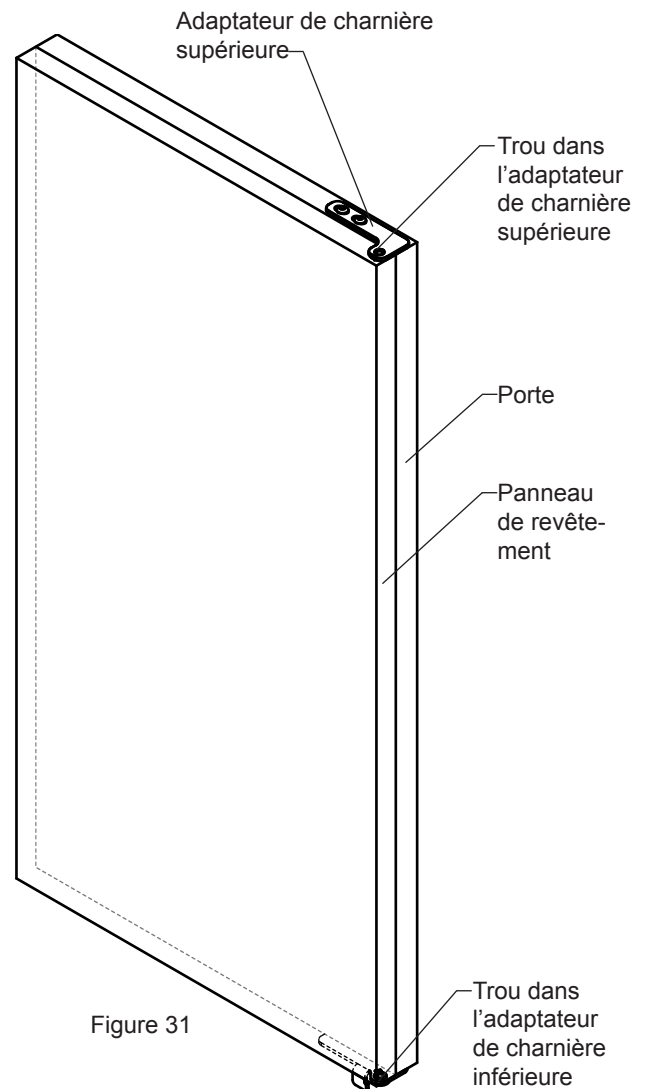


Figure 31

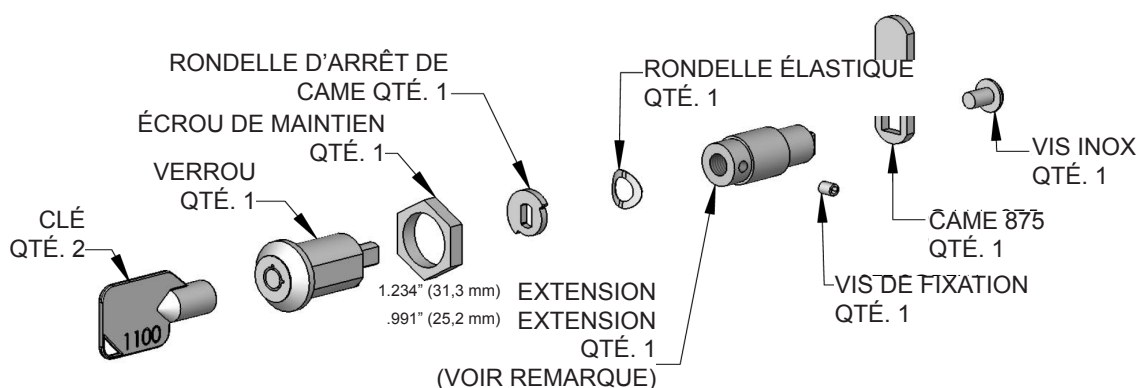


Figure 32

INSTRUCTIONS D'INSTALLATION DE PANNEAU DE REVÊTEMENT COMPLET

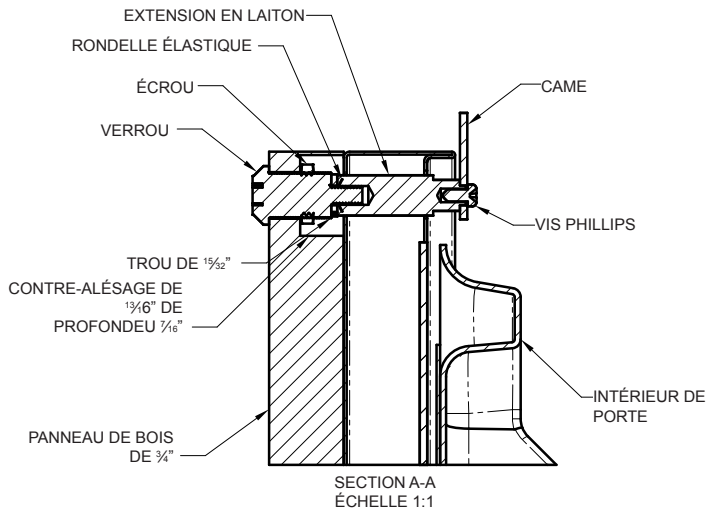


Figure 33

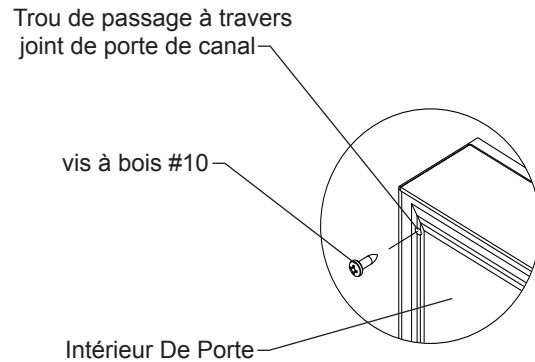


Figure 34

Étape 8 : Assemblez les pièces de verrouillage

Deux (2) extensions de verrouillage sont fournies avec le verrou. Utilisez l'extension la plus longue pour un panneau de revêtement d'épaisseur $\frac{3}{4}$ " et la plus courte pour un panneau d'épaisseur $\frac{5}{8}$ ". Assemblez l'extension de verrouillage, une rondelle d'arrêt de came, une rondelle élastique et une vis de fixation sur le verrou comme montré aux Figures 32 et 33.

Installez cet ensemble sur le panneau de revêtement avec l'écrou de maintien en utilisant une douille de 15 mm. Assurez-vous que la fente en trou de serrure du verrou est verticale.

Étape 9 : Fixez le panneau de revêtement sur la porte

Avec les vis à bois #10 fournies, fixez le panneau de revêtement sur la porte (Voir la Figure 34).

Étape 10 : Installez la came de verrouillage (modèles avec verrou uniquement)

Fixez la came de verrouillage à l'arrière de l'ensemble de verrou avec la vis d'assemblage à tête Phillips fournie. Orientez la came de verrouillage verticalement en installant le verrou.

Étape 11 : Installez le joint de porte

Pressez le joint de porte dans son logement. Assurez-vous que les coins de joint sont bien insérés. Si c'est applicable, insérez une clé dans le verrou et vérifiez son bon fonctionnement.

Étape 12 : Installez la porte

Remettez les douilles d'adaptateur de charnière du haut et du bas (ôtées à l'étape 6) en place dans les adaptateurs de charnière. Installez la porte en inversant la procédure de l'étape 2. Remettez la goupille de charnière du haut de façon à ce que la tête de vis soit au niveau de la surface supérieure de la charnière. Si c'est applicable, insérez une clé dans le verrou et vérifiez si la came de verrouillage accroche correctement l'étrier de retenue sur l'avant de l'armoire de réfrigérateur.

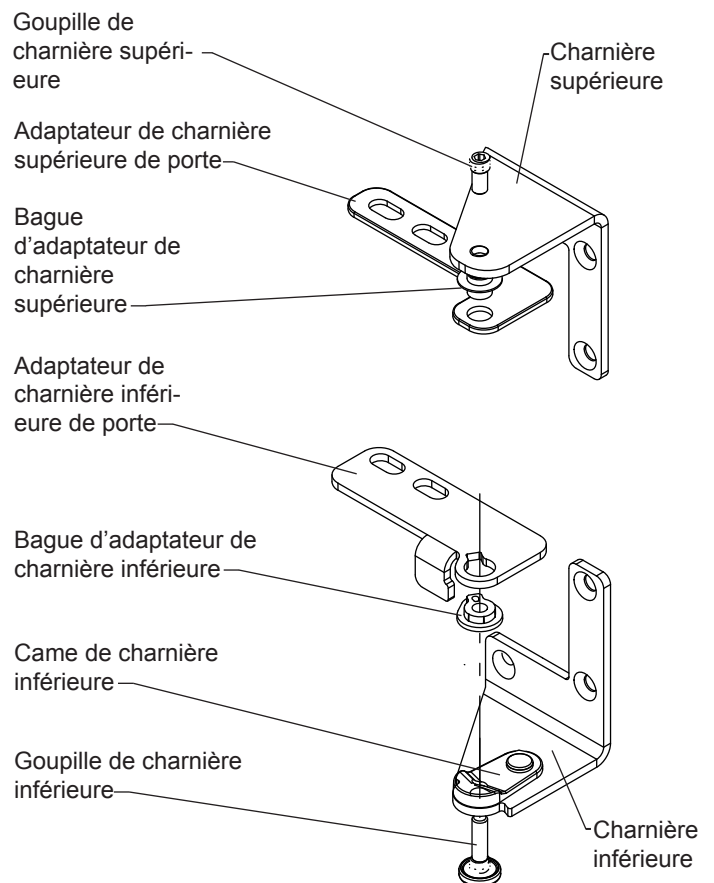


Figure 35
Charnières montrées du côté droit

DÉPANNAGE DE VOTRE RÉFRIGÉRATEUR

Avant d'appeler pour du service

Si l'appareil semble présenter un dysfonctionnement, commencez par bien relire son manuel. Si le problème persiste, consultez le guide de dépannage qui suit. Identifiez le problème dans ce guide et consultez les colonnes de causes et de remèdes avant d'appeler pour du service. Le problème peut être quelque chose de très simple qui peut se résoudre sans demander une intervention de service. Cependant il peut être nécessaire de contacter votre revendeur ou un technicien de service qualifié.

AVERTISSEMENT

Risque d'électrocution –

Ne tentez jamais de réparer ou d'exécuter de la maintenance sur l'appareil avant que son alimentation électrique n'ait été débranchée en amont. Passer l'appareil sur arrêt (OFF) n'enlève pas la présence de tension secteur sur les fils de câblage.

Problème	Cause possible	Correction
L'appareil n'est pas assez froid Ajustez la température (Voir en page 5 le réglage de consigne).	<ul style="list-style-type: none"> Le contrôle a une consigne trop chaude La température du contenu n'est pas encore stabilisée. Utilisation excessive ou ouvertures prolongées de la porte. Blocage du flux d'air de la grille frontale. Défaut d'étanchéité du joint de porte. 	<ul style="list-style-type: none"> Ajustez plus bas la consigne de température. Laissez stabiliser la température 24 heures. Laissez la température se stabiliser pendant au moins 24 heures. Le flux d'air ne doit pas être obstrué à la grille frontale. Consultez les valeurs d'écartements en page 4. Vérifiez l'alignement de porte et/ou changez le joint de porte.
L'appareil est trop froid Ajustez la température (Voir en page 5 le réglage de consigne).	<ul style="list-style-type: none"> La commande a une consigne trop froide Défaut d'étanchéité du joint de porte. 	<ul style="list-style-type: none"> Ajustez plus haut la consigne de température (Voir la page 5 pour les instructions). Laissez stabiliser la température 24 heures. Vérifiez l'alignement de porte et/ou changez le joint de porte.
Bruit ou vibration	<ul style="list-style-type: none"> L'appareil n'est pas d'aplomb. 	<ul style="list-style-type: none"> Mettez l'appareil d'aplomb, voyez en page 4 le réglage des pieds de mise à niveau.
L'appareil ne fonctionne pas.	<ul style="list-style-type: none"> L'appareil est à l'arrêt. Le cordon secteur n'est pas branché. La prise secteur n'est pas alimentée. 	<ul style="list-style-type: none"> Mettez l'appareil en marche. Voyez pour le démarrage de votre appareil en page 5. Branchez la fiche du cordon. Vérifiez l'alimentation électrique de votre maison.
L'appareil tourne à 100 % après le démarrage initial ou l'introduction d'un nouveau fût de bière.	<ul style="list-style-type: none"> Le nouveau fût est bien plus chaud que le point de consigne de température de l'appareil. 	<ul style="list-style-type: none"> L'appareil va revenir à son cycle normal d'activation/désactivation après que la température du fût se soit abaissée et stabilisée.

OBTENTION DE SERVICE

Si du service est nécessaire :

- Si le produit est encore dans sa première année de garantie, veuillez appeler le service à la clientèle d'AGA MARVEL au 800.223.3900 pour avoir des instructions sur la façon d'obtenir une couverture sous garantie dans votre secteur.
- Si le produit est sorti de sa première année de garantie, le service à la clientèle d'AGA MARVEL peut vous fournir des recommandations sur les centres de service de votre secteur. Une liste des centres de service agréés est également disponible sur le site www.agamarvel.com sous la section de service et d'assistance.
- Dans toute correspondance relative au service, assurez-vous de bien fournir la référence de service, le numéro de série et le justificatif de l'achat.
- Essayez de donner des informations ou une description de la nature du problème, sur la durée pendant laquelle l'appareil a fonctionné, sur les températures de la pièce et de l'eau, et toutes les informations pouvant être utiles pour une résolution rapide du problème.
- Le Tableau D est fourni pour enregistrer les informations pertinentes sur votre produit, comme référence ultérieure.

Pour vos archives	
Date d'achat	
Nom du revendeur	
Adresse du revendeur	
Ville du revendeur	
État/province du revendeur	
Code Zip/postal du revendeur	
N° de série de l'appareil	
Référence de service de l'appareil	
Date d'envoi de la carte de garantie (à faire dans les 10 jours après l'achat)	

Tableau D

GARANTIE DE L'APPAREIL À USAGE DOMESTIQUE

Appareil complet

Garantie limitée d'un an sur pièces et main-d'œuvre

AGA MARVEL garantit qu'il fournira toutes les pièces et la main-d'œuvre nécessaires pour réparer ou remplacer, au domicile ou au bureau de l'utilisateur final, tout composant avéré défectueux du fait des matériaux ou de la main-d'œuvre, en tenant compte des conditions et exclusions décrites plus bas, pendant une période d'une année à compter de la date d'achat par l'utilisateur final.

Période additionnelle de la deuxième à la cinquième année

Garantie limitée sur les pièces uniquement

Durant les quatre ans qui suivent l'expiration de la garantie limitée d'un an, AGA MARVEL va fournir des pièces de remplacement pour le système de refroidissement hermétiquement scellé (constitué de : compresseur, condenseur, déshydrateur, accumulateur, vanne de contournement, tube de raccordement et évaporateur), s'il s'avère défectueux du fait des matériaux ou de la main-d'œuvre, en tenant compte des conditions et exclusions qui suivent.

Les garanties précédentes ne couvrent pas :

- Les coûts d'expédition des pièces de remplacement ou des pièces défectueuses renvoyées.
- L'éducation du client ou des instructions sur la façon d'utiliser l'appareil
- Toute perte de contenu due à une panne de produit.
- Le déplacement ou l'installation de l'appareil.

Les garanties qui précèdent ne couvrent pas non plus une panne de ce produit ou de ses composants due à :

- Transport ou dommages consécutifs au transport.
- Utilisation commerciale, ou autre qu'un usage domestique normal ou un usage dans un petit bureau.
- Une utilisation incorrecte, un mésusage, un abus, un accident ou une altération, un câblage de raccordement non conforme aux normes électriques, une tension secteur trop élevée ou trop faible, un défaut d'entretien notoire, ou toute autre utilisation non raisonnable.

Pièces ou service non fournis ou conçus par AGA MARVEL

Les garanties qui précèdent ne s'appliquent pas non plus si :

- L'acte de vente d'origine, la date de livraison, ou le numéro de série ne peuvent pas être vérifiés.
- Les pièces défectueuses ne sont pas renvoyées pour inspection si c'est demandé par AGA MARVEL.
- L'équipement de refroidissement n'est plus en la possession de l'acheteur utilisateur final d'origine.

Les garanties décrites ici sont les seules fournies par AGA MARVEL. Toutes les garanties implicites, y compris la garantie implicite de valeur marchande, sont limitées à la durée des garanties explicites. En aucun cas AGA MARVEL ne sera tenue pour responsable de tous dommages ou dépenses consécutifs ou annexes, résultant d'une inobservation de ces garanties ou d'autres garanties, qu'elles soient explicites ou implicites.

Certains États et certaines Provinces ne permettent pas l'exclusion ou la limitation des dommages consécutifs ou une limitation de la durée applicable des garanties implicites, dont la limitation ou exclusion qui précède peu ne pas être applicable à votre cas. Cette garantie vous donne des droits légaux spécifiques, et vous pouvez avoir d'autres droits qui peuvent varier d'un État à un autre.

Aucune personne, firme ou corporation, n'est autorisée à donner une garantie différente, ni à assumer une quelconque autre obligation pour AGA MARVEL. Ces garanties ne s'appliquent qu'à des produits utilisés dans un des cinquante États des États-Unis d'Amérique et dans le District de Columbia.

Pour obtenir une action dans le cadre de cette garantie, signalez tous les défauts constatés à :

AGA MARVEL

1260 E. VanDeinse St.
Greenville MI 48838

Téléphone : 800.223.3900



www.agamarvel.com

AGA MARVEL

1260 E. VanDeinse St.
Greenville MI 48838

800.223.3900

41012918-FR Rev B
12/3/12

Toutes les spécifications et les conceptions des produits sont sujettes à des changements sans préavis. De telles révisions ne donnent aucun droit pour l'acheteur de produits antérieurs à bénéficier de ces changements, améliorations, ajouts, remplacements, ni de recevoir une compensation.