



## Installation Instructions

### Renaissance® Electric Range with induction cooktop

Models: RNR30NS[-C], RNR30NFS[-C], RNR30NIS[-C] and RNR30NIFS[-C]

# Table of Contents

<b>Important Safety Instructions</b> .....	1	Installing the Anti-Tip Bracket .....	8
Important Information About Safety Instructions.....	1	Backguard Installation .....	10
Safety Symbols in this Manual .....	1	Downdraft Vent Installation .....	10
General Safety Precautions.....	2	Removing the Oven Door .....	10
<b>Product Specifications</b> .....	3	Electrical Connection .....	10
Electrical Requirements .....	3	Side Panel Removal .....	16
Product Dimensions.....	4	Installing the Range .....	16
<b>Installation Specifications</b> .....	5	Re-installing the Oven Door .....	17
Cabinet Layout.....	5	Verifying Proper Operation .....	17
<b>Installation Instructions</b> .....	8	Installation Checklist.....	18
Verify the Package Contents .....	8		

## IMPORTANT:

- **Installer:** In the interest of safety and to minimize problems, read these installation instructions completely and carefully before you begin the installation process. Leave these installation instructions with the customer.
- **Customer:** Keep these installation instructions for future reference and the local building inspector's use.

# Customer Service Information

## If You Need Help...

If you have questions or problems with installation, contact your Dacor dealer or the Dacor Customer Service Team. For repairs to Dacor appliances under warranty call the Dacor Distinctive Service line. Whenever you call, have the model and serial number of the appliance ready. The model and serial number are printed on the product data label.

### Dacor Customer Service

Phone: (800) 793-0093, extension 2813 (U.S.A. and Canada)  
Monday — Friday 6:00 A.M. to 5:00 P.M. Pacific Time

Web site: [www.dacor.com](http://www.dacor.com)

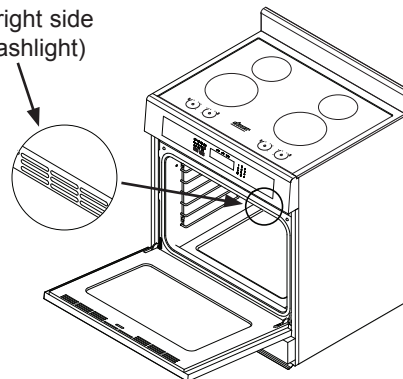
### Dacor Distinctive Service (for repairs under warranty only)

Phone: (800) 793-0093, extension 2822 (U.S.A. and Canada)  
Monday — Friday 6:00 A.M. to 5:00 P.M. Pacific Time

## Product Data Label Location

The product data label can be seen through the grill below the control panel, on the right side.

Product data label  
(view through right side  
of grate with flashlight)



## Model Identification

Model	Configuration*	Handle Type	Electrical Connection**
RNR30NS	Freestanding, (full size side panels), 6-inch backguard standard	Mounted on outside of door	Power cord not included. Not for installation in Canada.
RNR30NS-C	Freestanding, (full size side panels), 6-inch backguard standard	Mounted on outside of door	Cord connected, for installation in Canada and U.S.A., where local codes permit.
RNR30NFS	Freestanding, (full size side panels), 6-inch backguard standard	Flush handle, integrated in door	Power cord not included. Not for installation in Canada.
RNR30NFS-C	Freestanding, (full size side panels), 6-inch backguard standard	Flush handle, integrated in door	Cord connected, for installation in Canada and U.S.A., where local codes permit.
RNR30NIS	Built-in/Slide-in (3" removable side panels), backguard optional	Mounted on outside of door	Power cord not included. May be installed in Canada and U.S.A.
RNR30NIS-C	Built-in/Slide-in (3" removable side panels), backguard optional	Mounted on outside of door	Cord connected, for installation in Canada and U.S.A., where local codes permit.
RNR30NIFS	Built-in/Slide-in (3" removable side panels), backguard optional	Flush handle, integrated in door	Power cord not included. May be installed in Canada and U.S.A.
RNR30NIFS-C	Built-in/Slide-in (3" removable side panels), backguard optional	Flush handle, integrated in door	Cord connected, for installation in Canada and U.S.A., where local codes permit.

\* See page 4 for further details.

\*\*See page 3 for further details.

All specifications subject to change without notice. Dacor® assumes no liability for changes to specifications.

© 2014 Dacor, all rights reserved.

# Important Safety Instructions

## Important Information About Safety Instructions

The **Important Safety Instructions** and warnings in this manual are not meant to cover all possible problems and conditions that can occur. Use common sense and caution when installing, maintaining or operating this or any other appliance.

Always contact the Dacor Customer Service Team about problems and conditions that you do not understand.

## Safety Symbols in this Manual

### **DANGER**

Immediate hazards that **WILL** result in severe personal injury or death.

### **WARNING**

Hazards or unsafe practices that **COULD** result in severe personal injury or death.

### **CAUTION**

Hazards or unsafe practices that **COULD** result in minor personal injury or property damage.

### **DANGER**

#### For your safety:

- Do not store or use gasoline or other flammable vapors and liquids in the vicinity of this or any other appliance.
- Do not obstruct the flow of ventilation air to the unit.
- Keep the area around the appliance clear and free from combustible material.

### **WARNING**

Persons with a pacemaker or other medical device should use caution when standing near an induction cooktop when it is in use. The electromagnetic field generated by an induction cooktop may affect operation of a pacemaker or other medical device. Consult your doctor or medical device manufacturer about your particular situation.

### **WARNING**

If the information in this manual is not followed exactly, a fire or explosion may result causing property damage, personal injury or death.

### **WARNING**

NEVER use this appliance as a space heater to heat or warm the room. Doing so may result in overheating of the appliance.

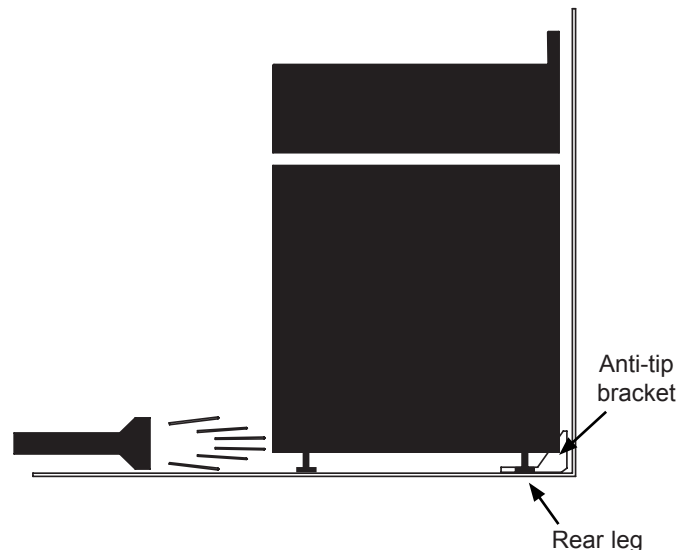
### **WARNING**

NEVER cover any slots, holes or passages in the oven bottom or cover an entire rack with materials such as aluminum foil. Doing so blocks air flow through the oven and may cause a fire hazard. Aluminum foil linings may also trap heat, causing a fire hazard.

### **WARNING**

#### Tip-over hazard:

- A child or adult can tip the range and be killed.
- Attach the anti-tip bracket to the floor or wall as directed in these installation instructions. Engage the floor or wall mounted anti-tip bracket by sliding the rear leg on the range into it according to these installation instructions. Using a flashlight, be sure that the anti-tip bracket engages the range's rear leg as shown below.
- After moving the range, be sure to re-engage the rear leg into the anti-tip bracket as shown below.
- See the anti-tip bracket installation instructions in this guide for further details.
- Failure to follow these instructions can result in death or serious burns to children or adults.



**READ AND SAVE THESE INSTRUCTIONS**

# Important Safety Instructions

## General Safety Precautions

To reduce the risk of fire, explosion, electric shock, serious injury or death when installing or using this appliance, follow basic safety precautions, including the following:

### **WARNING**

- Read all instructions before using the appliance.
- Keep packaging materials away from children. Plastic sheets and bags can cause suffocation.
- If you receive a damaged product, immediately contact your dealer or builder. Do not install or use a damaged appliance.
- Improper installation, adjustment, alteration, service or maintenance can cause personal injury or property damage. Refer to these instructions and the accompanying use and care manual. For assistance or additional information, consult a qualified installer, service agency or dealer.
- This appliance must be properly installed and grounded by a qualified installer or service agency according to these installation instructions prior to use. The installer must show the customer the location of the circuit breaker panel or fuse box so that they know where and how to turn off electric power to the appliance. Dacor is not responsible for service required to correct a faulty installation. The owner is responsible to make sure this appliance is properly installed.
- **DO NOT TOUCH THE SURFACES OF THE OVEN OR COOKTOP DURING OR IMMEDIATELY AFTER USE.**
- This appliance is not approved for installation in a mobile home or recreational vehicle.
- This appliance must not be used in combination with surface (countertop) ventilation systems. The use of an overhead hood, or Dacor downdraft vent is recommended for ventilation.
- Disconnect the electrical supply before installing or servicing the appliance.
- Install or locate this appliance only in accordance with these installation instructions.
- Before performing any type of service or installation, make sure that the power to the appliance is turned off at the circuit breaker panel or fuse box.
- Use this appliance only for its intended use as described in this manual. Do not use corrosive chemicals or vapors with this appliance. This type of appliance is not designed for industrial or laboratory use.
- Do not leave children or pets alone or unattended in the area around the range. Do not allow children to play with the controls, pull on the handle, or touch other parts of the range.
- Do not store items of interest to children on top of or above the range. Children could be burned or injured while climbing on the appliance.
- Some products, such as whole eggs, and sealed containers, such as closed glass jars, may explode and should not be heated on this cooktop.
- Clean the cooktop thoroughly before operating it for the first time.

### **WARNING**

- NEVER block or cover any slots, holes or passages anywhere inside the oven or on the outside of the range or cover an oven rack with materials such as aluminum foil. Doing so blocks airflow through the oven and cooktop and may create fire hazard. See the Getting to Know Your Range section of the use and care manual for the location of the various air holes (slots).
- Keep flammable items, such as paper, cardboard, plastic and cloth away from the elements and other hot surfaces. Do not place such items in the oven. Do not allow pot holders to touch hot surfaces.
- Do not wear loose or hanging apparel while using the range. Do not allow clothing to come into contact with the interior of the oven or the cooktop and surrounding areas during and immediately after use.
- Do not use the oven for storage.
- Do not touch the outside surfaces of the range during the self-clean cycle. They will be hot. Venting from the oven may cause the cooktop and backguard to become hot.
- For your safety, do not use the oven to cook without the convection filter installed. When the filter is not installed, the spinning fan blades at the back of the oven are exposed.
- Non-stick coatings, when heated, can be harmful to birds. Remove birds to a separate, well-ventilated room during cooking.
- To prevent damage, remove the meat probe from the oven when it is not being used.
- Do not line the oven with aluminum foil or other materials. These items can melt or burn up during self-cleaning and cause permanent damage to the appliance.
- Do not leave metal objects, such as aluminum foil, the meat probe, cookie sheets, etc. on the bottom of the oven.
- Objects left on the bottom of the oven could damage the bake element. In addition, the objects themselves could be damaged.
- On some ovens, the bake and broil elements are behind glass panels on the floor and ceiling of the oven chamber. Do not cover these glass panels with cookie sheets, aluminum foil, pots, pans, etc. Covering them could cause the heating elements to over-heat, damaging the oven.

# Product Specifications

## **WARNING**

**IMPORTANT:** Observe all governing codes and ordinances during planning and installation. Contact your local building department for further information.

## Electrical Requirements (All models numbers except those ending with -C)

It is the owner's responsibility to ensure that a licensed electrician performs the installation of the power supply for this appliance. The electrical installation, including minimum supply wire size, must comply with the National Electric Code ANSI/NFPA 70 (latest revision) and local codes and ordinances. A copy of this standard may be obtained from:

National Fire Protection Association  
1 Batterymarch Park  
Quincy, Massachusetts 02269-9101

The correct voltage, frequency and amperage must be supplied to the appliance from a dedicated, grounded, single phase circuit that is protected by a properly sized circuit breaker or time-delay fuse. If a time-delay fuse is utilized, fuse both sides of the line (L1 and L2).

Electrical Specifications	
Circuit Requirements	Total Connected Load
240 Vac 60 Hz, 4-wire*, 50 Amp.	11.5 kW (48.0 Amp.)

\* Two 120 Vac hot (L1 and L2), one neutral (N1) and one ground.

The above electrical specifications are for reference only. See the product data label for exact specifications. See inside cover for location.

- The wiring needs to be long enough to allow the range to be pulled out for service, while remaining connected.
- The wiring connected to the range must:
  - Meet NEMA standards and have a minimum rating of 250 Volts @ 50 Amp.
  - Include a strain relief.
  - Be terminated by tinned leads, closed loop terminals or open ended spade lugs with upturned ends.
  - Connect to a junction box or receptacle installed by a licensed electrician.

### The appliance may be connected one of the following ways:

- Using conduit:
  - A 4-wire conduit connected to a 4-wire junction box, or
  - A 3-wire conduit (where local code permits) connected to a 3-wire junction box.

Suggested conduit wiring color code: black, white, red and green.

- Using an appliance cord:
  - A 4-wire appliance cord equipped with a NEMA 14-50P plug connected to a NEMA 14-50R receptacle, or
  - A 3-wire appliance cord (where local code permits) equipped with a NEMA 10-50P plug connected to a NEMA 10-50R receptacle.

Appliance cord plug must be UL listed type SRD or SRDT.

## Electrical Requirements (Models Ending with -C)

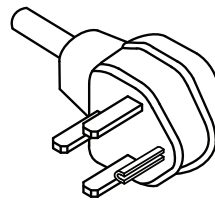
Range models RNR30NS-C, RNR30NFS-C, RNR30NIS-C and RNR30NIFS-C come with a factory installed 4-wire appliance cord with NEMA 14-50P plug.

- For freestanding ranges installed in Canada, a factory installed 4-wire appliance cord with NEMA 14-50P plug is required, without modification. For slide-in ranges installed in Canada and all ranges installed outside of Canada, the 4-wire appliance cord configuration (-C type) is optional and may be utilized where local codes permit.
- The NEMA 14-50P plug is designed to plug directly into a NEMA 14-50R electrical receptacle. It is the owner's responsibility to ensure that the required 4-wire electrical outlet compatible with the power cord is installed by a licensed electrician as specified below prior to range installation. The electrical outlet installation, including minimum supply wire size and grounding, must be in accordance with all governing codes and ordinances.
- The correct voltage, frequency and amperage must be supplied to the appliance from a separate, grounded, circuit that is protected by a properly sized circuit breaker or time delay fuse. If a fuse is utilized, fuse both sides of the line (L1 and L2). Refer to the ratings on the product data label.

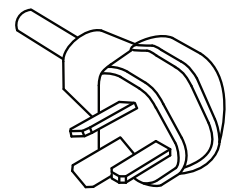
Electrical Specifications	
Circuit Requirements	Total Connected Load
240 Vac 60 Hz, 4-wire*, 50 Amp.	11.5 kW (48.0 Amp.)

\* Two 120 Vac hot (L1 and L2), one neutral (N1) and one ground.

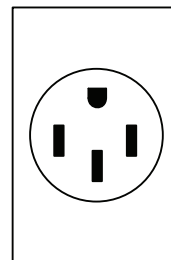
The ratings above are for reference only - refer to the product data label (see inside cover).



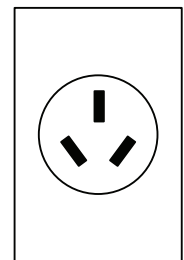
NEMA 14-50P Plug



NEMA 10-50P Plug



NEMA 14-50R Receptacle

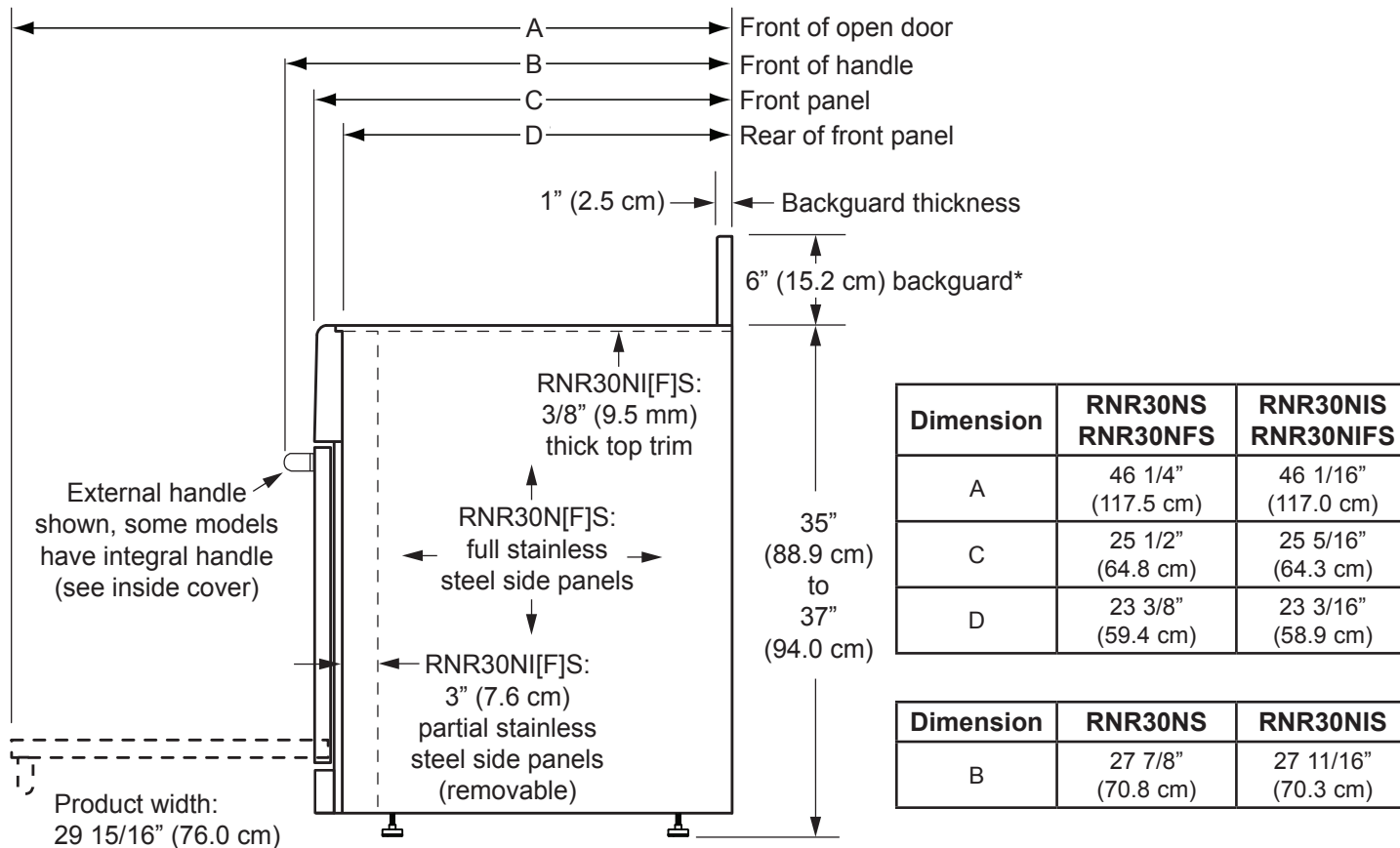


NEMA 10-50R Receptacle

# Product Specifications

## Product Dimensions

Product tolerances:  $\pm 1/16"$  ( $\pm 1.6$  mm), unless otherwise stated



### Available Backguard\*

Part Number	Description	Compatibility
ADRB30E06	6 inches high	Standard on models RNR30NS, RNR30NFS Optional on models RNR30NIS, RNR30NIFS

\*\*Models RNR30NIS and RNR30NIFS come equipped from the factory with a flat stainless steel trim piece in place of a backguard. A 6 inch backguard may be purchased as an optional accessory. Add an additional 1/16 inch to the depth dimensions above when installing a backguard on models RNR30NIS and RNR30NIFS.

The trim on models RNR30NS and RNR30NFS are not compatible with a downdraft vent.

Models RNR30NIS and RNR30NIFS are compatible with Dacor downdraft vent model ERV3015 only.



# Installation Specifications

## Cabinet Layout

### WARNING

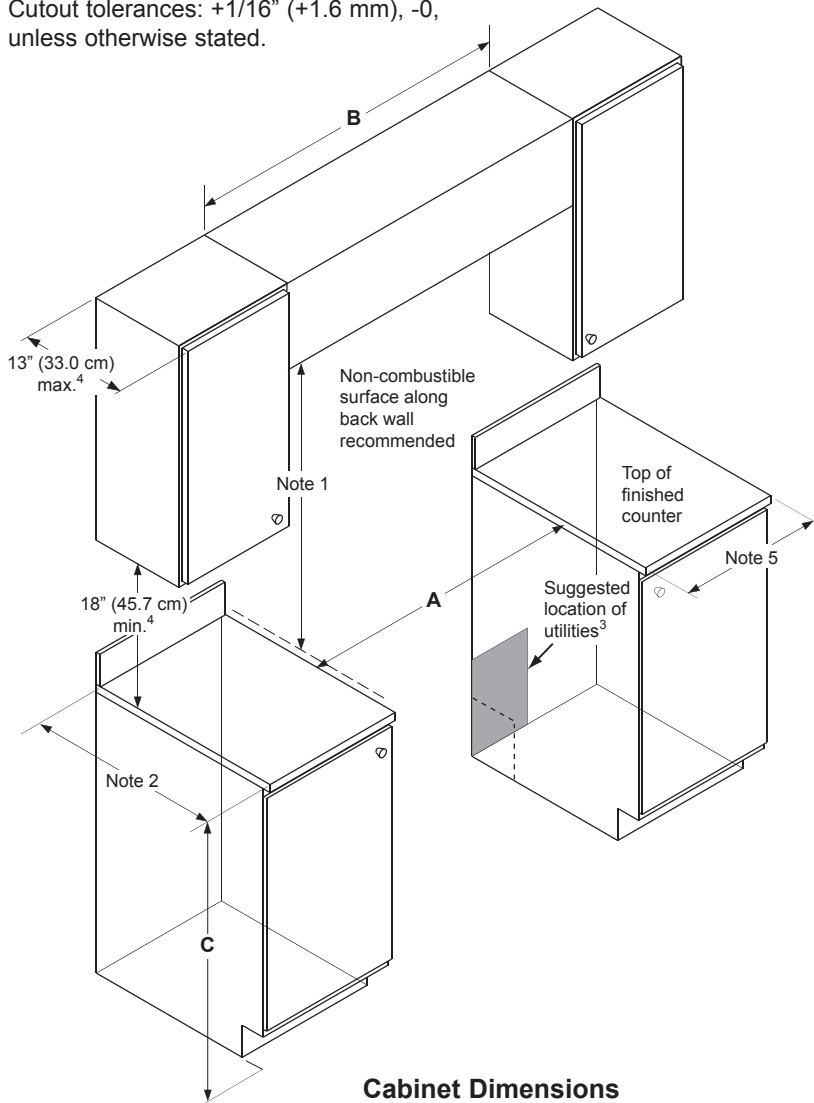
- Observe all governing codes and ordinances during planning and installation. Contact your local building department for further information.
  - All minimum cabinet/countertop clearances shown on the following pages must be met or exceeded.
  - To eliminate the risk of burns or fire by reaching over heated surface units, cabinet storage space located above surface units should be avoided.
- The shaded areas shown below denote the location of the electrical junction box/receptacle. This is the suggested location. For replacement purposes, the location of the existing electrical supply may be utilized provided that it does not interfere with the sides or rear of the range. Verify that the electrical service meets local building codes.
  - Access to the remote circuit breaker panel/fuse box, with the range in place and operating, must also be allowed for in the installation.

- The electrical junction box/receptacle must be located so that it does not interfere with the range when it is installed and under operation. In addition, the junction box/receptacle must be located so the range can be removed for service and remain connected to power.

### Cabinet and Countertop Preparation

- To reduce the risk of personal injury and to reduce accumulated smoke in the room, Dacor strongly recommends installing a range hood. A range hood should project horizontally a minimum of five (5) inches beyond the face of the cabinets. If installing a range hood, see the range hood specifications for minimum clearances. If cabinet storage space is to be provided directly above the range, the risk of personal injury may be reduced by installing a range hood.
- The range may be installed flush to the rear wall. Dacor recommends installing a non-combustible material on the rear wall above the range and up to the range hood or cabinet, whichever is lower.
- Any openings in the wall behind the appliance and in the floor under the appliance must be sealed.

Cutout tolerances: +1/16" (+1.6 mm), -0, unless otherwise stated.



A*	B	C*
30 1/16" min. (76.3 cm)	36" (91.4 cm) recommended 30" (76.2 cm) min.	35" (88.9 cm) min. 37" (94.0 cm) max.

\*For self rimming installations, see required dimensions for "A" and "C" on the following pages.

<sup>1</sup>30" (76.2 cm) min. vertical clearance from top of the cooking surface to bottom of uncovered wood or metal cabinet. 24" (61 cm) min. clearance if bottom of wood or metal cabinets are protected by not less than 1/4" (0.6 cm) flame retardant millboard covered with no less than No. 28 MSG sheet steel 0.015" (0.04 cm) stainless steel, or 0.024" (0.06 cm) aluminum or 0.020" (0.05 cm) copper. If installing a range hood, also check hood specifications for minimum required clearances.

<sup>2</sup>Cabinet/countertop depth is at discretion of the customer but cabinet face SHALL NOT protrude further than rear of front panel. See **Product Dimensions**.

<sup>3</sup>Consult local code for requirements.

<sup>4</sup>This specification not applicable for cabinets more than a horizontal distance of 1" (2.6 cm) from edge of range.

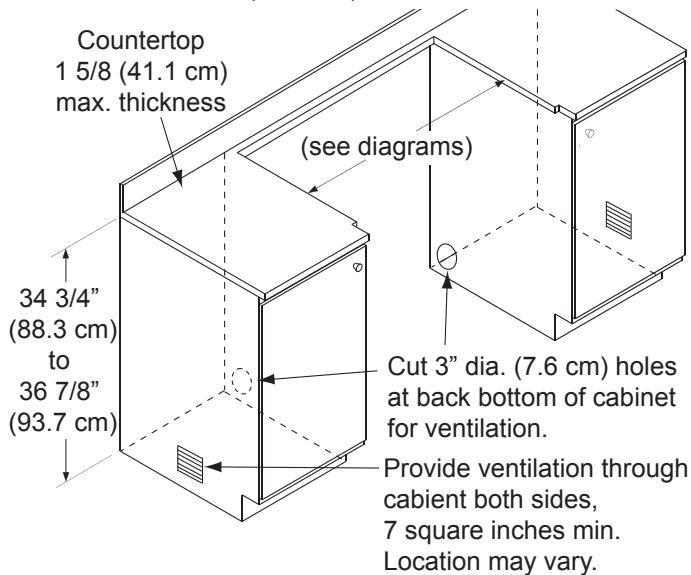
<sup>5</sup>1" (2.6 cm) min. to combustible sidewalls above range (both sides).

**Cabinet Dimensions**

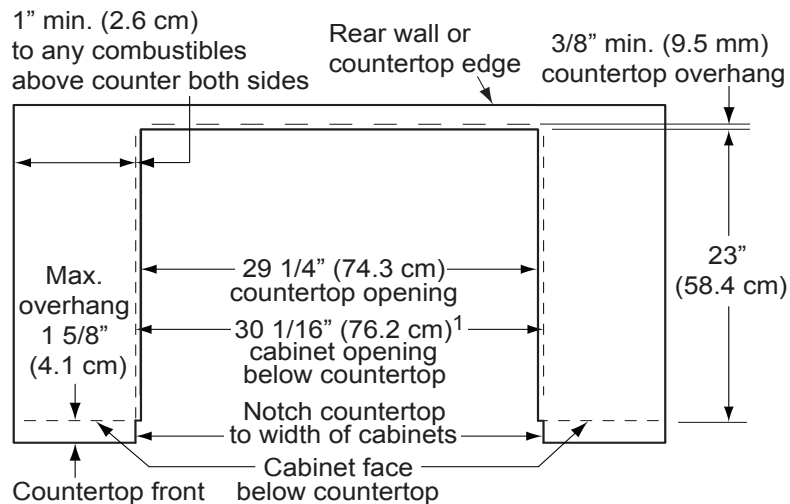
# Installation Specifications

## Cabinet Cutouts for Self-Rimming Installation (Models RNR30NIS and RNR30NIFS Only)

Cutout tolerances: +1/16" (+1.6 mm), -0, unless otherwise stated.

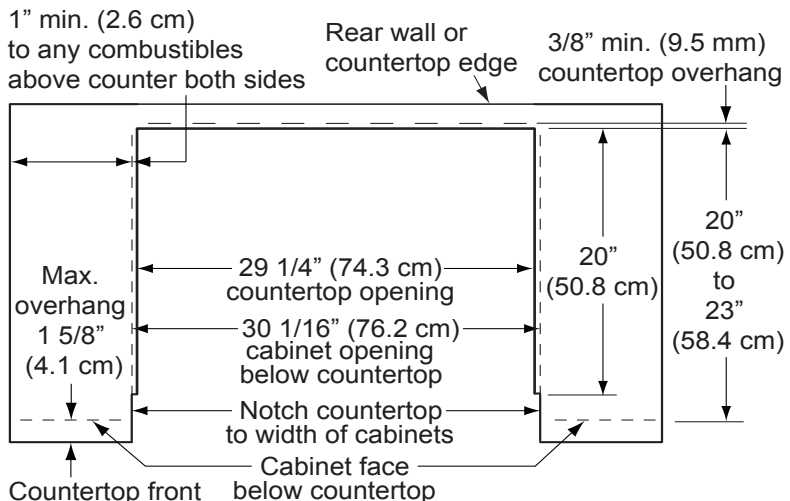


- The self-rimming installation of the RNR30NI[F]S range creates a "built-in" look where the range trim overlaps and rests on the countertop on both sides and in back.
- **IMPORTANT:** When installing the range in this configuration, ventilation must be provided to allow for cooling of the ranges internal components. See diagram, left.
- Observe all vertical cabinet clearances on page 5.
- On self-rimming installations when sliding the range into position, it will stop when the rear of the control panel or side panels contact the notches toward the front of the countertop.



<sup>1</sup> To create a "built-in look" on the front of the cabinet, this dimension may be changed to 29 1/4" (74.3 cm), with the width at the notches remaining 30 1/16". This configuration is only for models RNR30NIS and RNR30NIFS with the side panels behind the door removed.

### Top View - Slide-In, Self-Rimming Installation, 3" Side Panels Removed - Min. Required Cabinet Depth: 23 3/8"



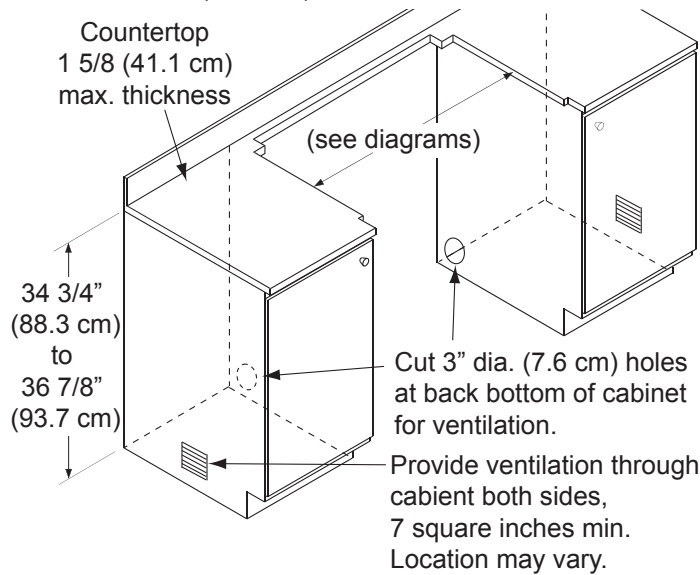
### Top View - Slide-In, Self-Rimming Installation, 3" Side Panels Installed - Cabinet Depths 20 3/8" to 23 3/8"



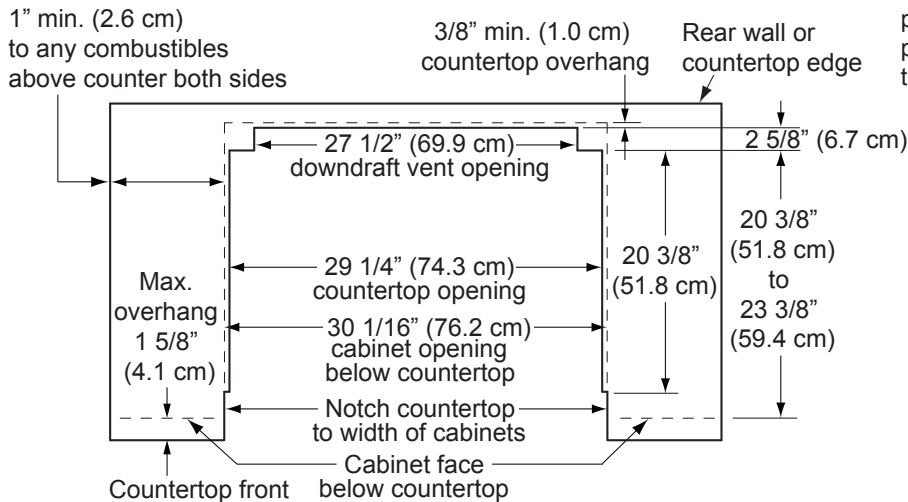
# Installation Specifications

## Cabinet Cutouts for Self-Rimming Installation with Downdraft Vent (Models RNR30NIS and RNR30NIFS Only)

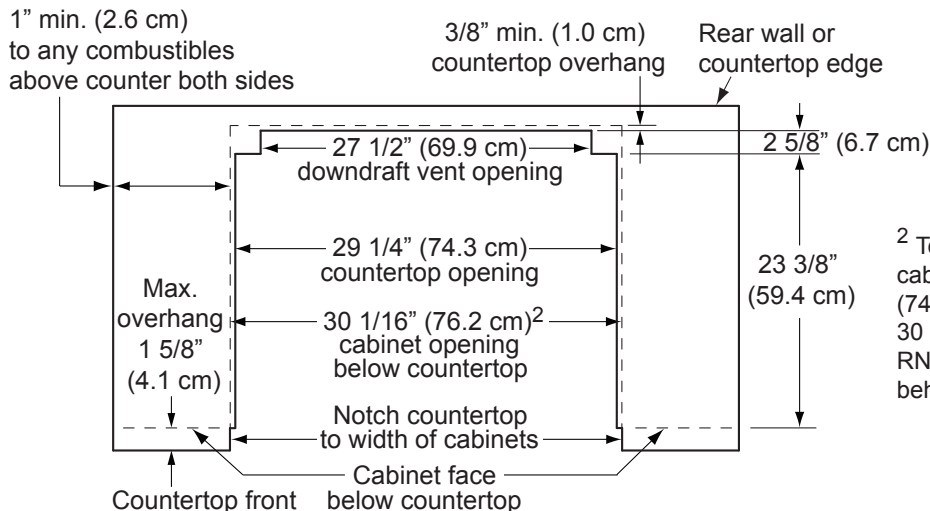
Cutout tolerances: +1/16" (+1.6 mm), -0, unless otherwise stated.



- Trim kit PN ATKR30SR is required for proper installation of a downdraft vent with this range.
- The self-rimming installation of the RNR30NI[F]S range and ERV3015 downdraft vent create a "built-in" look where the range trim overlaps and rests on the countertop on both sides and the downdraft vent trim overlaps the countertop in back. The ATKR30SR trim kit, installed on the back of the range, will cover the front of the downdraft vent chassis.
- **IMPORTANT:** When installing the range in this configuration, ventilation must be provided to allow for cooling of the range's internal components. See diagram, left.
- Observe all vertical cabinet clearances on page 5.
- A self-rimming countertop configuration is required for downdraft vent installation. On installations with a downdraft vent, when sliding the range into position, it will stop when the rear of the control panel or side panels contact the notches toward the front of the countertop.



**Top View - Downdraft ERV3015 with Slide-In, Self-Rimming Installation, 3" Side Panels Installed - Cabinet Depths 23 3/8" to 26 3/8"**



<sup>2</sup> To create a "built-in look" on the front of the cabinet, this dimension may be changed to 29 1/4" (74.3 cm), with the width at the notches remaining 30 1/16". This configuration is only for models RNR30NIS and RNR30NIFS with the side panels behind the door removed.

**Top View - Downdraft ERV3015 with Slide-In, Self-Rimming Installation, 3" Side Panels Removed - Min. Required Cabinet Depth: 26 3/8"**

# Installation Instructions

## Verify the Package Contents

Verify that all the components below have been provided. If any item is missing or damaged, please contact your dealer immediately. Do not install a damaged or incomplete appliance. Make sure that you have everything necessary to ensure proper installation before proceeding.

- Use and care manual
- Anti-tip bracket with screws and anchors
- Oven racks (2) GlideRack type, (1) standard type
- Razor blade scraper
- Dacor Cooktop Cleaning Cream

## Installing the Anti-Tip Bracket

Locate the anti-tip bracket included in the parts box.

**There are two ways to mount the anti-tip bracket:**

- Floor mounting (preferred method).
- Wall mounting (alternate method). Use this method if floor mounting is not suitable. If any of the conditions below exist, then the wall mounting method cannot be used and the floor mounting method must be suitable.

**The anti-tip bracket may not be mounted to the wall if:**

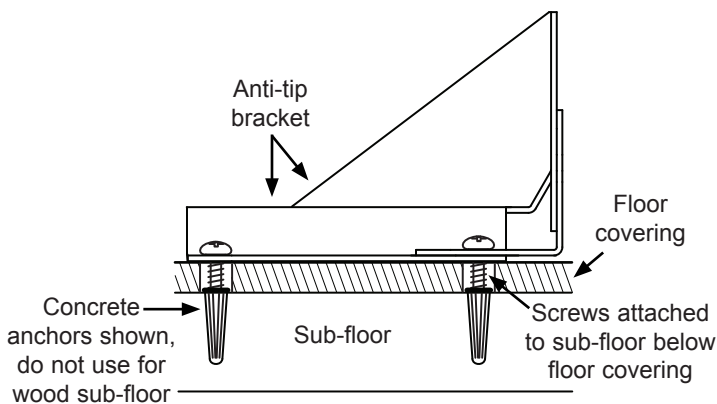
- ◇ The wall contains metal stud mounting materials that interfere with the anti-tip bracket mounting screws.
- ◇ The front panel of the range is further than the maximum distance from the back wall stated on page 9.
- ◇ A downdraft vent is installed.
- ◇ The flooring is too thick (see *Installing the Anti-Tip Bracket on the Wall*).

## Installing the Anti-Tip Bracket on the Floor

### **WARNING**

To perform its intended function, the anti-tip bracket must be attached as instructed to the concrete slab or wood sub-floor below any floor coverings (including cement board) on top. Do not attach the anti-tip bracket directly to floor coverings such as ceramic/asphalt tile or linoleum.

Four (4) plastic anchors are provided along with three sizes (4 each) of #8 or #12 Phillips head screws for attaching the anti-tip bracket to the floor. Use both the anchors and four (4) of the #8 screws when attaching the bracket to a concrete sub-floor. Do not use the anchors when attaching to a wood sub-floor.



1. Determine the location of the range center line and front panel when the range is in its final position based on the **Product Dimensions** on page 4, and the actual cabinet/cutout dimensions used for the installation.
2. Determine the required position of the anti-tip bracket, based on the diagram on the facing page. Mark the four (4) mounting hole locations on the floor with a pencil.
3. Determine the screw size required. The minimum full thread depth (portion of screw threaded into wood/slab) for wood is 3/8" (1 cm) and 5/8" (1.6 cm) for concrete. See the table below to select the correct screw size.

Sub-Floor Type/ Floor Covering Thickness	Screw Size
Concrete or wood sub-floor, no floor covering over top	#8 x 1" *
Concrete or wood sub-floor, floor covering up to 1/4" thick	#8 x 1" *
Concrete or wood sub-floor, floor covering over 1/4" and up to 1/2" thick	#8 x 1 1/4" *
Wood sub-floor, floor covering over 1/2" and up to 1 3/16" thick	#12 x 1 3/4" *
Concrete sub-floor under floor covering over 1/2" thick	Must be purchased separately **
Wood sub-floor, floor covering over 1 3/16" thick	Must be purchased separately **

\* Included with range

\*\* Not included. Determine length based on step 3.

## Attaching the bracket to a concrete floor:

- Drill four (4) 3/8" diameter countersink holes through any existing floor covering down to the concrete slab below.
- Drill the 4 holes for the anchors 1 1/4" (3.2 cm) deep into the concrete slab using a 3/16" masonry bit. This hole length is longer than the anchor, but is required for proper installation. Clear the holes of dust and any other material. Tap each anchor into the hole until the anchor top is flush with the top of the concrete slab. Position the anti-tip bracket holes over the anchor holes. Insert the screws through the four (4) holes in the base of the bracket and thread them into the anchors. Be sure the screw threads fully engage the anchor body. Tighten the screws into place.

## Attaching the bracket to a wood floor:

- If there is ceramic, asphalt or other hard floor covering over the wood below, drill four (4) countersink holes to allow access to the wood below for drilling pilot holes.
- Drill four (4) pilot holes into the wood floor using a drill bit (1/16" dia. for #8 screws, 1/8" dia. for #12 screws). Position the anti-tip bracket holes over the holes in the floor. Insert the screws into the wood and tighten into place.

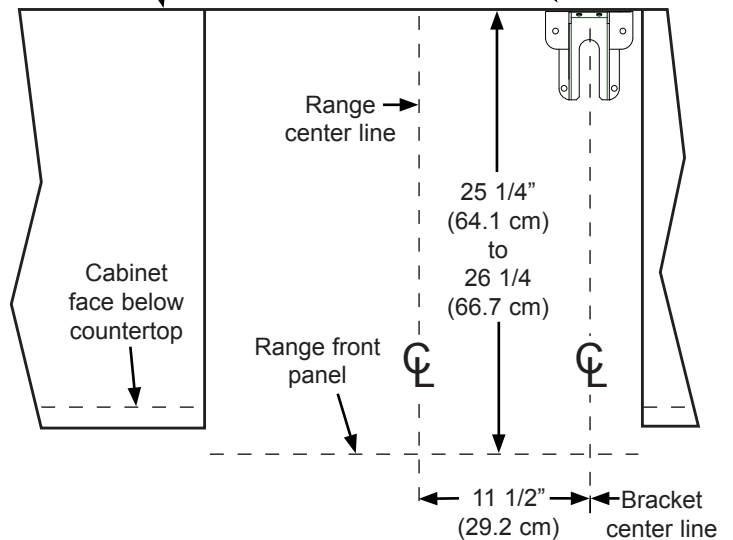
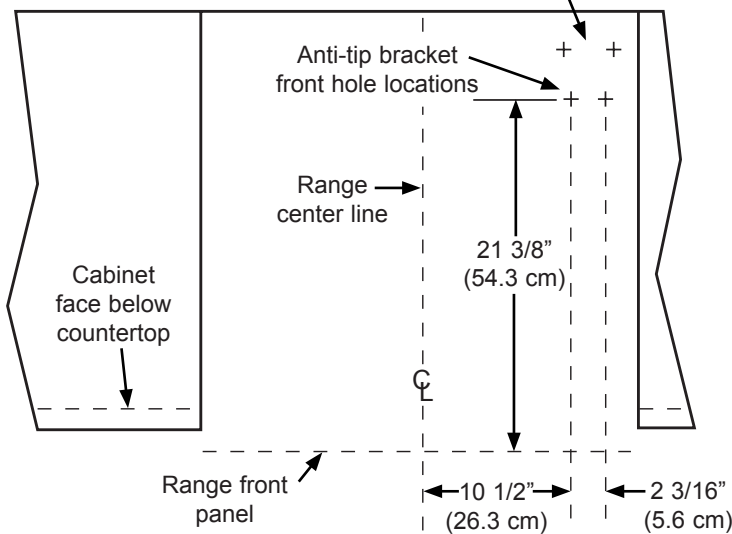
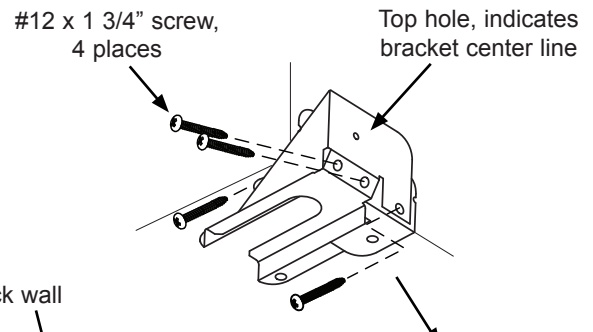
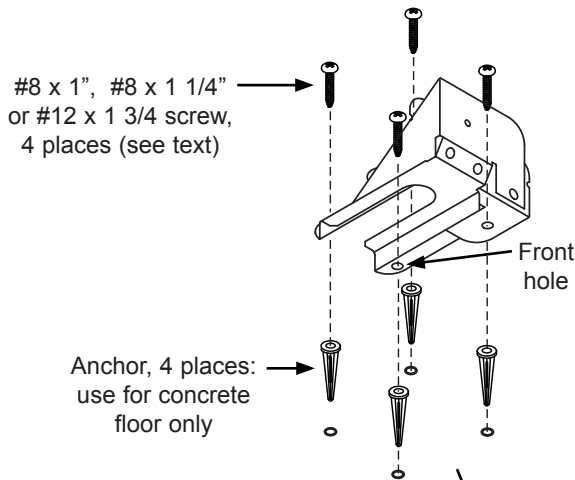
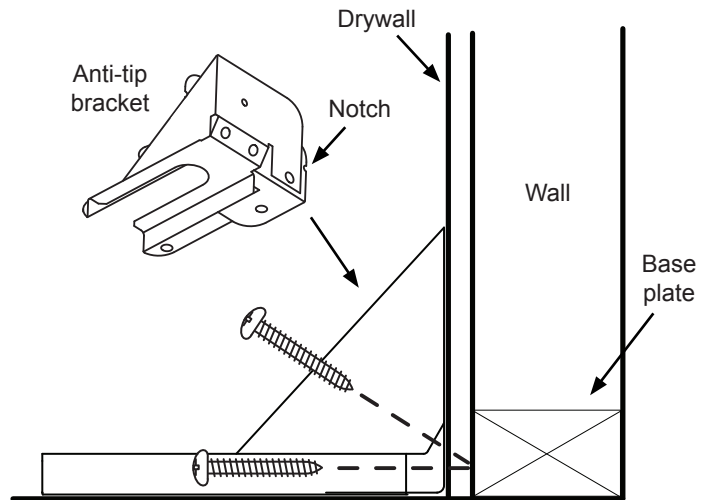
## Installing the Anti-Tip Bracket on the Wall

1. To use the wall mount option, the range front panel must not be more than 26 1/4" from the wall and the bracket screws must be able to thread into the base plate inside the wall behind. The notches on the sides of the bracket indicate the minimum required height of the base plate inside the wall and that any floor covering is not too thick for proper screw thread engagement.

# Installation Instructions

## To determine if the base plate is high enough:

- Determine the location of the range center line and front panel when the range is in its final position based on the **Product Dimensions** on page 4 and the actual cabinet/cutout dimensions used for the installation.
  - Determine and mark the required position of the anti-tip bracket, based on the diagram below. Push the bracket up against the wall in the mounting location.
  - Using a pencil, make a dot next to the notches on both sides of the bracket. Determine if the base plate is as high at the notches by drilling test holes into the wall at both dots with a 1/16" drill bit. Drill just deep enough to see if the bit contacts the base plate. If the bit contacts the base plate the location will support wall installation of the anti-tip bracket. If you do not contact the base plate, the wall mounting method may not be used and the floor mounting method must be suitable, or the wall must be modified so that the base plate is above the notches.
4. To install the bracket, place it against the wall in the mounting location shown below. Using a drill with 1/8" diameter drill bit, drill four (4) 1 5/8" deep pilot holes perpendicular to the screw seating surfaces shown. Attach the bracket to the wall as shown with the four (4) included #12 x 1 3/4 screws.



Top View - Location of Floor Mounted Anti-Tip Bracket

Top View - Location of Wall Mounted Anti-Tip Bracket

# Installation Instructions

## Backguard Installation

If installing a backguard, install it before moving the range into position. Do not install a backguard if installing a downdraft vent.

## Downdraft Vent Installation

If installing a downdraft vent, install it before moving the range into position. Install trim kit PN ATKR30SR to cover the front of the downdraft vent chassis.

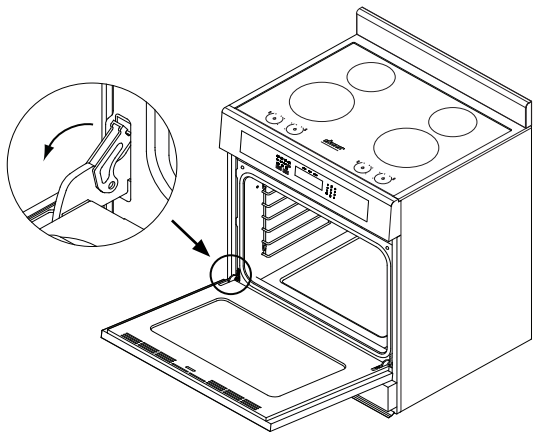
## Removing the Oven Door

To make the range easier to move, remove the door to reduce weight.

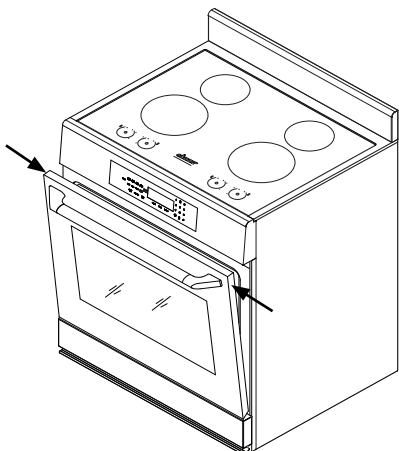
### **WARNING**

- Do not attempt to disengage the hinge catches with the door removed from the oven. The hinge springs could release, causing personal injury.
- Do not lift or carry the oven door by the door handle.

1. Open the door to its fully opened position.
2. Using a flat blade screwdriver, rotate the catch over the retaining arm on each hinge.



3. Lift the oven door to about a 15° angle from the vertical position.
4. Hold the door with both hands just below the handle and pull it away from the range while continuing to lift.



## Electrical Connection

### **WARNING**

- Before proceeding, turn off power to the circuit to which the appliance will be connected at the circuit breaker panel or fuse box.
- If the electric service provided does not meet the product specifications, do not proceed with the installation. Call the appliance dealer or a licensed electrician. Improper connection of the electrical wiring can cause an electric shock hazard and damage the appliance. Dacor is not responsible for damages resulting from improper installation.
- This range must be connected to a grounded, metallic, permanent wiring system. Alternatively, a grounding conductor should be connected to the grounding terminal or lead on the appliance.
- Do not use a 3-wire connection unless local building codes permit.
- Do not turn on power to the appliance until the range is permanently grounded.
- Do not use an extension cord with this appliance. Such use may result in fire, electrical shock or other personal injury.
- Do not install a fuse in the neutral or ground circuit. A fuse in the neutral or ground circuit may result in an electrical shock hazard.

**NOTE:** If the appliance is connected to a 208 volt power supply, preheat times and cavity temperature recovery times will be increased slightly.

**NOTE:** Model numbers ending with a -C come from the factory pre-wired. If installing a pre-wired range, skip to **Installing the Range** on page 16.

**IMPORTANT:** When connecting the range wiring, do not disconnect any of the wires inside the range electrical box unless instructed to do so.

Before proceeding:

1. Position the range directly in front of the cabinet cutout.
2. Remove the electrical access cover on the back of the range.

There are four possible ways to wire the range:

- 4-wire conduit
- 3-wire conduit (where local codes permit)
- 4-wire appliance cord (where local codes permit)
- 3-wire appliance cord (where local codes permit)

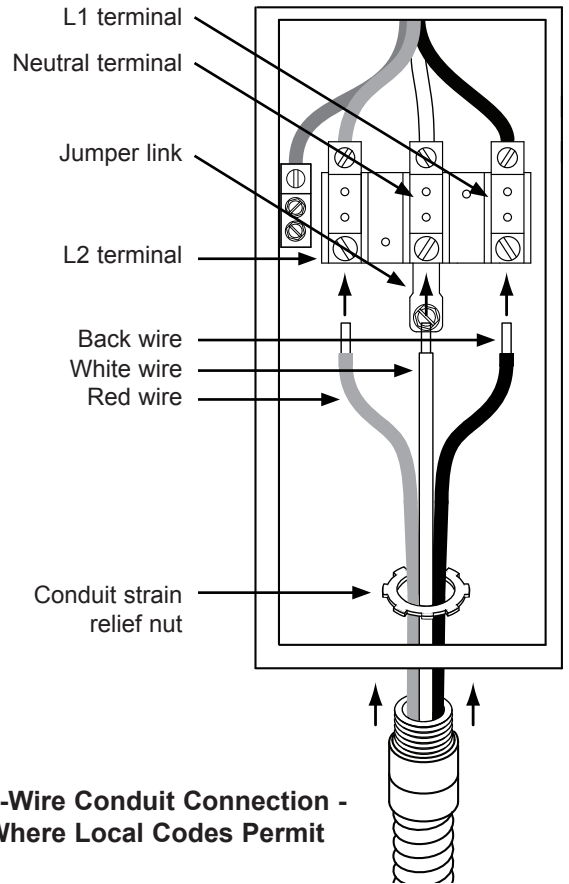
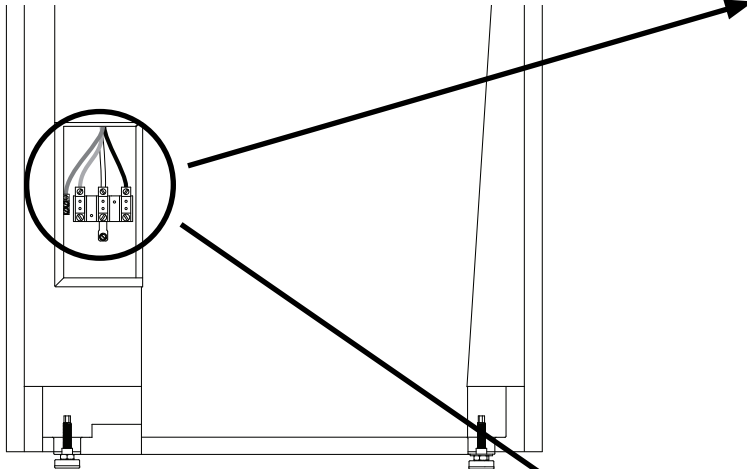
The sections on the following pages give directions for connecting each type of wiring harness.

# Installation Instructions

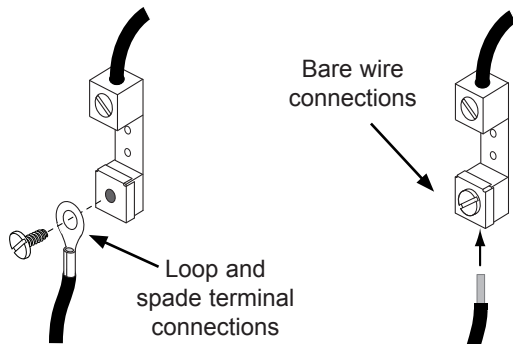
## Connecting Conduit to the Range

**NOTE:** See page 14 for instructions to connect an appliance cord to the range.

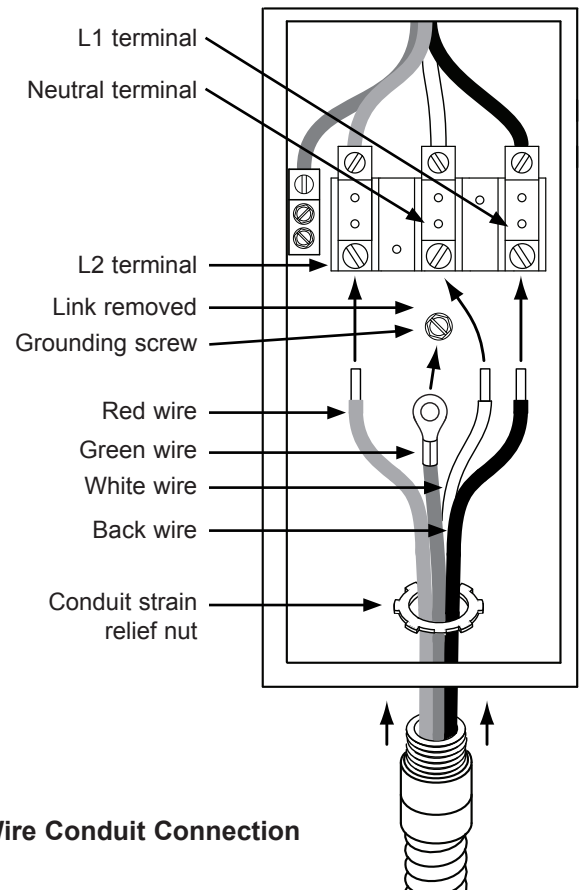
1. If using a 4-wire connection, loosen the grounding screw and remove the neutral to ground jumper link.
2. Remove the nut from the conduit strain relief (not included).
3. Slide the wires and the end of the strain relief into the hole on the bottom of the range electrical box.
4. Before connecting the wires, slide the strain relief nut over the wires and thread it onto the conduit strain relief inside the box. Tighten into place.



5. Connect the white wire to the neutral terminal inside the box.
6. Connect the black wire to the L1 power supply terminal.
7. Connect the red wire to the L2 power supply terminal.
8. If using a 4-wire connection, connect the green wire to the grounding screw inside the box.



9. Replace the range electrical access cover.



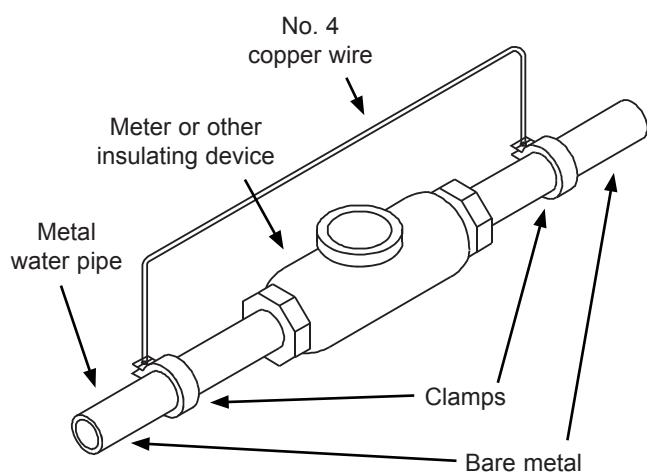
# Installation Instructions

## Electrical Connection (cont.)

### Connecting the Conduit to the House Electrical Junction Box

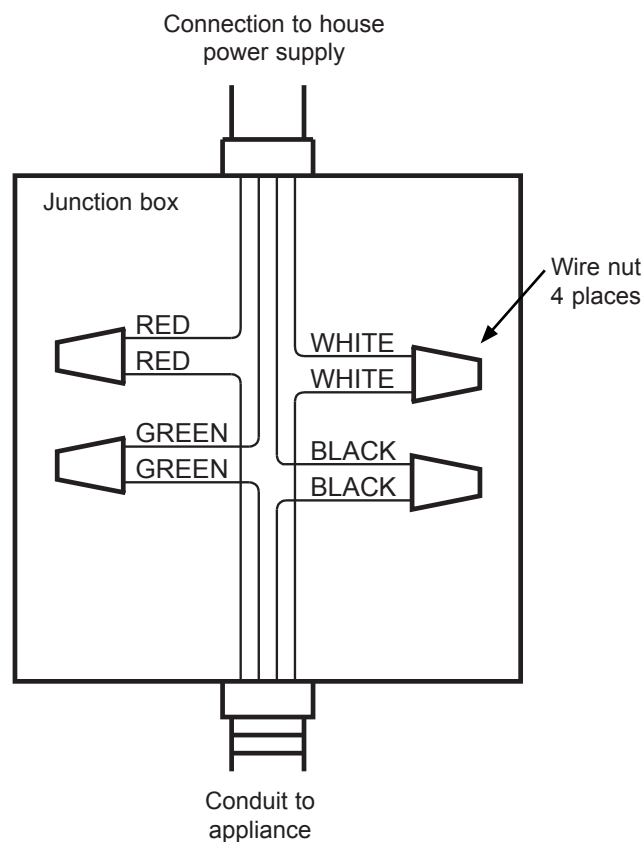
#### **WARNING**

- Do not connect the green appliance wire to the neutral (white) supply wire unless local building codes permit.
- Do not ground the appliance to a gas supply pipe or hot water pipe.
- A grounded cold water pipe must have metal continuity to electrical ground and must not be interrupted by insulating materials. Any insulating material must be jumped with a length of No. 4 copper wire securely clamped to bare metal at both ends. See below.



**Insulated Pipe Jumper**

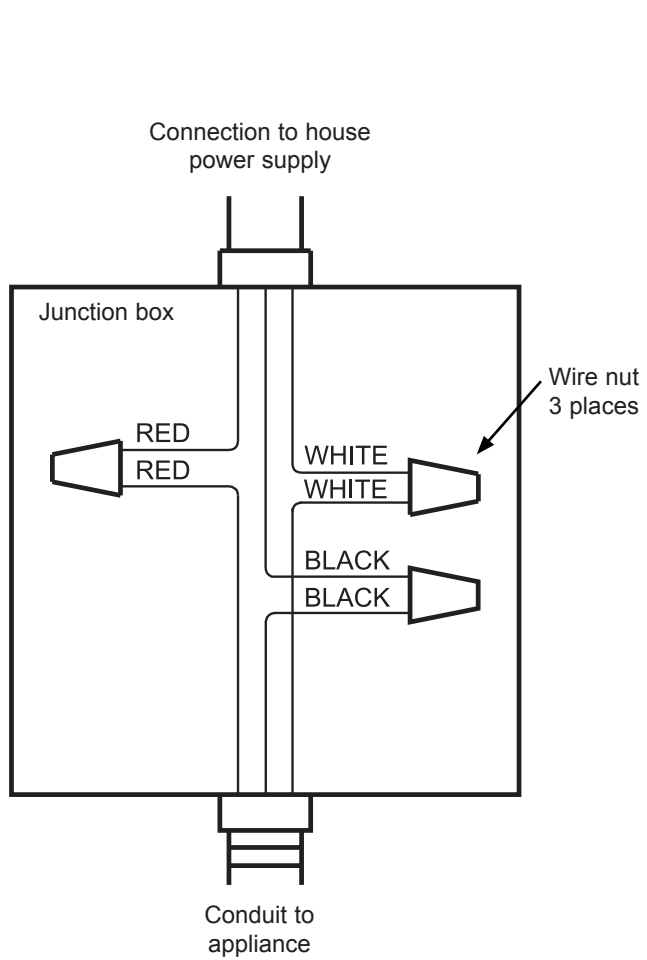
1. With the range positioned directly in front of the cabinet cutout, feed the appliance wires into the junction box.
2. Connect the white wire from the appliance to the neutral (white) supply wire inside the junction box.
3. Connect the black wire from the appliance to the black (L1) power supply wire inside the junction box.
4. Connect the red wire from the appliance to the red (L2) power supply wire inside the junction box.
5. If using a 4-wire connection, connect the green wire to a grounded supply wire in the junction box or to a grounded cold water pipe. If connecting to a grounded cold water pipe, use a separate copper grounding wire (No. 10 minimum) to connect to the cold water pipe by means of a clamp and an external grounding connector screw.
6. Replace the junction box cover.



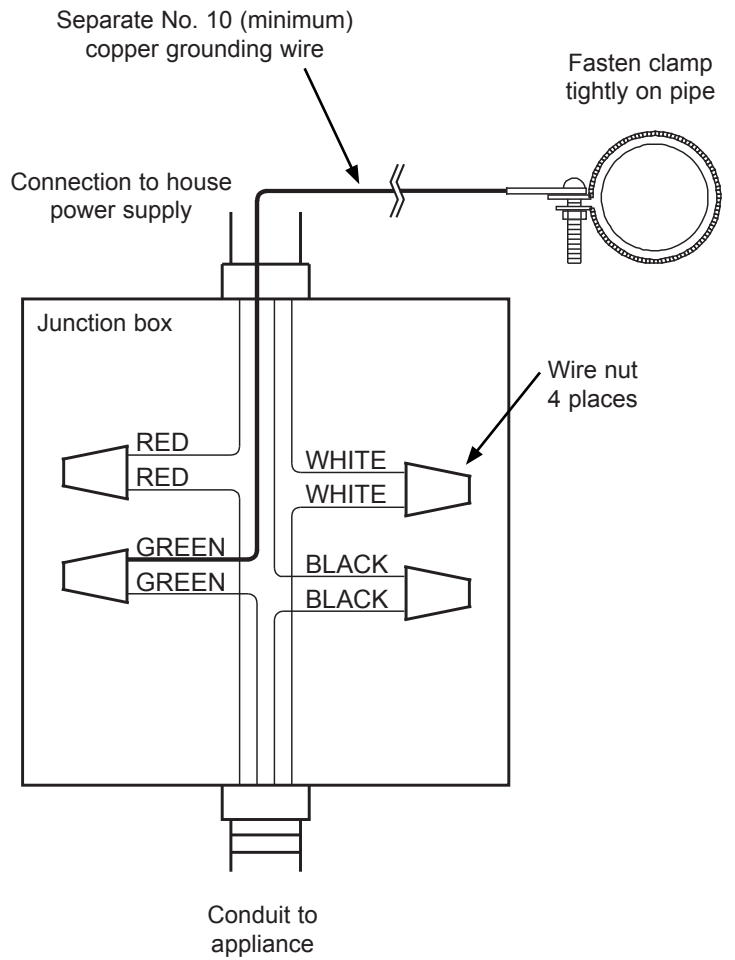
**4-Wire Conduit-Junction Box Connection**



# Installation Instructions



**3-Wire Conduit-Junction Box Connection**



**3-Wire Conduit-Junction Box Connection with External Ground**

# Installation Instructions

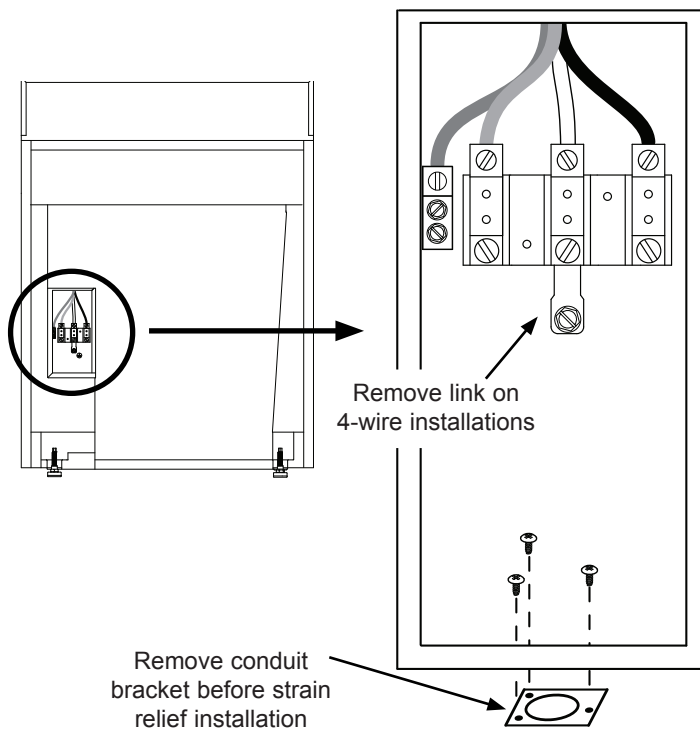
## Electrical Connection (cont.)

### Appliance Cord Connections - Where Local Code Permits

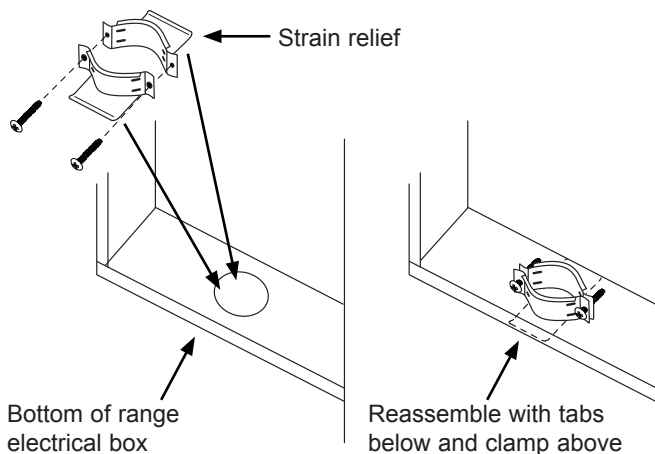
#### **WARNING**

Do not connect the green appliance wire to the neutral (white) supply wire unless local building codes permit.

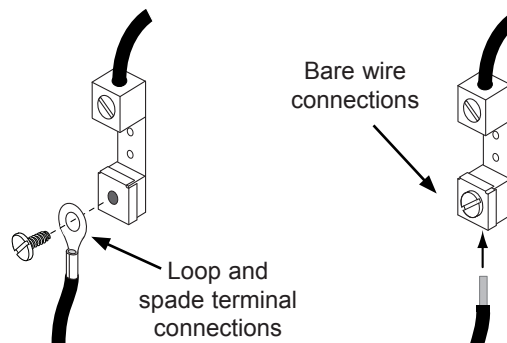
1. If using a 4-wire connection, loosen the grounding screw and remove the neutral to ground jumper link.
2. Remove the conduit bracket from the bottom of the range electrical box.



3. Disassemble and remove the strain relief from the appliance cord (not included). Insert the tabs on the two parts of the strain relief into the hole on the bottom of the box and reassemble it so that the tabs are below the box and the strain relief itself is inside the box.

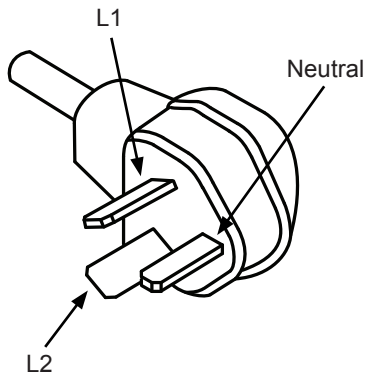


4. Slide the end of the appliance cord into the strain relief from the bottom of the box. See facing page.
5. Connect the white (neutral) wire to the neutral terminal in the box.
6. Connect the L1 wire to the L1 power supply terminal inside the box.
7. Connect the L2 wire to the L2 power supply terminal inside the box.
8. If using a 4-wire connection, connect the ground wire to the grounding screw inside the box using a loop or spade terminal.

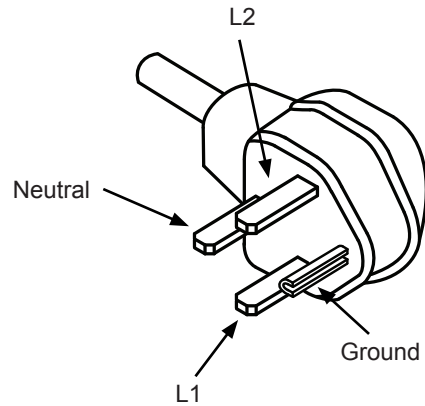


9. Tighten the strain relief so that the appliance cord is held snugly in place.
10. Replace the range electrical access cover.
11. With power turned off at the circuit breaker panel or fuse box, connect the plug on the end of the appliance cord to the power receptacle.

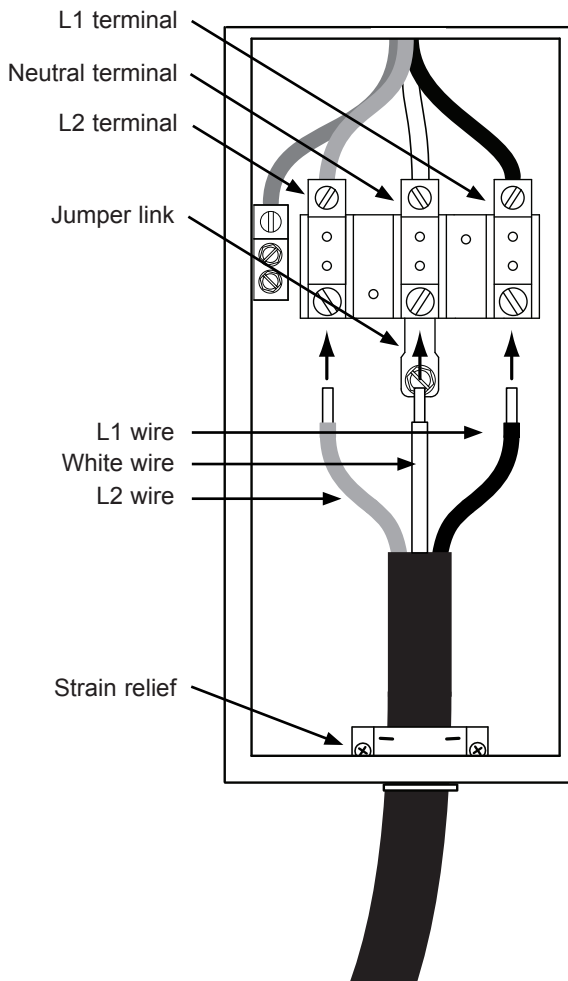
# Installation Instructions



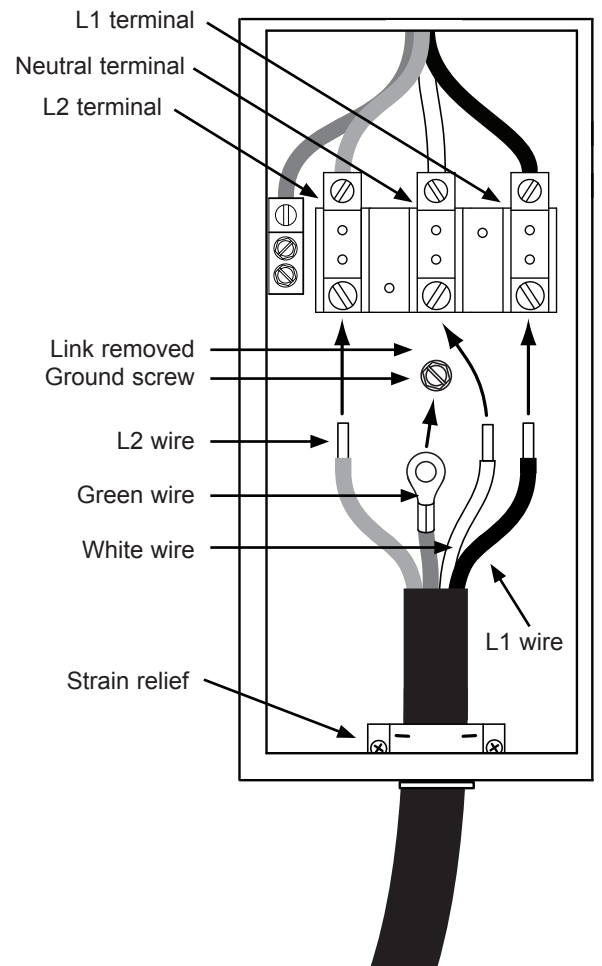
**3-Wire Appliance Cord Plug**



**4-Wire Appliance Cord Plug**



**3-Wire Appliance Cord Connection -  
Where Local Codes Permit**



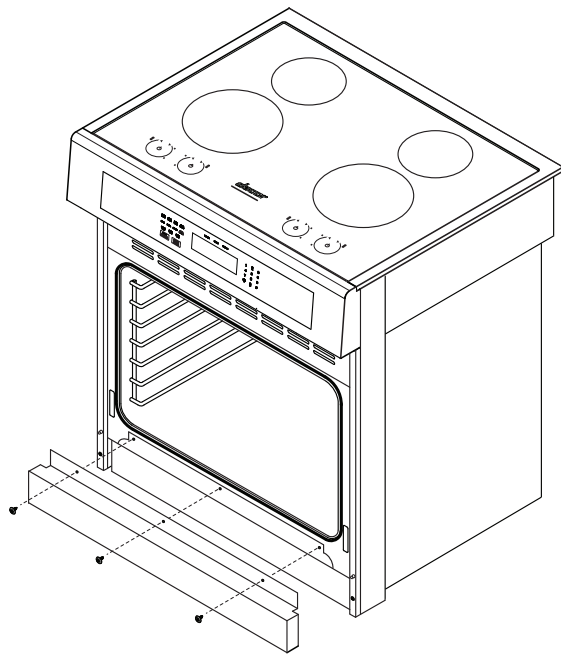
**4-Wire Appliance Cord Connection -  
Where Local Codes Permit**

# Installation Instructions

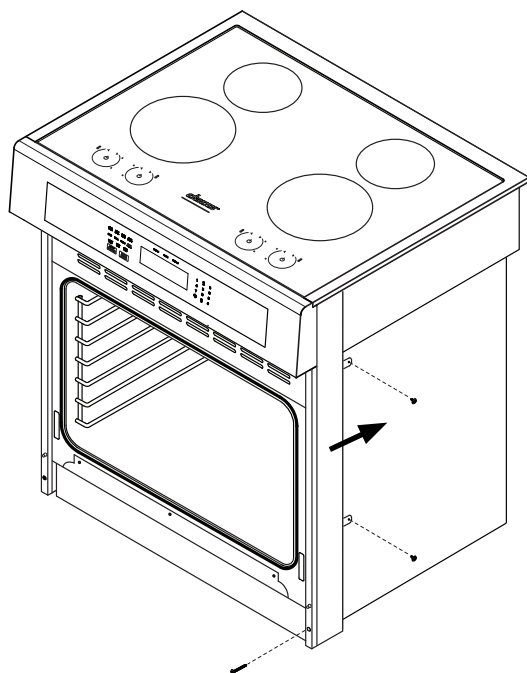
## Side Panel Removal (Optional - Model RNR30NI[FS] Only)

If the range will be installed with the partial side panels removed:

1. Remove the three screws just below the oven opening that hold the kick panel in place.



2. Pull the kick panel straight out to snap it off of the range.
3. Remove the three screws that hold the side panel in place as shown.



4. Push the side panel toward the back of the range to snap it out of the control panel and remove it.

## Installing the Range

Peel off the protective layer of plastic that covers the stainless steel surfaces.

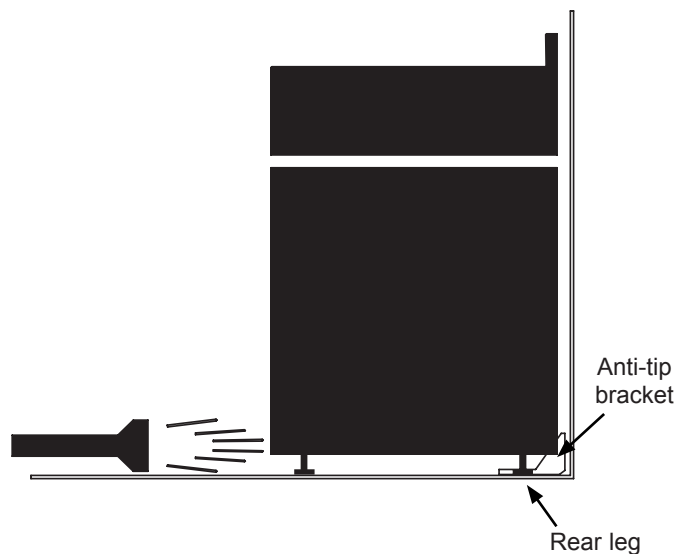
### Freestanding Installation

1. Measure from the floor to the countertop and adjust the leveling legs as required to position the top frame at the desired height, based on the cabinet and countertop installation.
2. Carefully slide the range into position in the cutout. As you slide the unit into place the rear leg should engage the anti-tip bracket.
3. Using a flashlight look underneath the range and verify that the anti-tip bracket covers the rear leg. See diagram below.
4. Use a level to make sure that the range does not tilt front to back or side to side. Re-adjust the legs to level and change the height if necessary.

### Self-Rimming Installation

Installation of the range in the self-rimming configuration is slightly different from freestanding installation since the range top overhangs the countertop cutout.

1. Measure from the floor to the countertop.
2. Adjust the leveling legs to position the bottom edge of the range top trim at countertop height.
3. Carefully slide the range into position in the cutout. As you slide the unit into place the rear leg should engage the anti-tip bracket.
4. Using a flashlight look underneath the range and verify that the anti-tip bracket covers the rear leg. See diagram below.
5. Use a level to make sure that the range does not tilt front to back or side to side. Re-adjust the legs to level and change the height if necessary.



# Installation Instructions

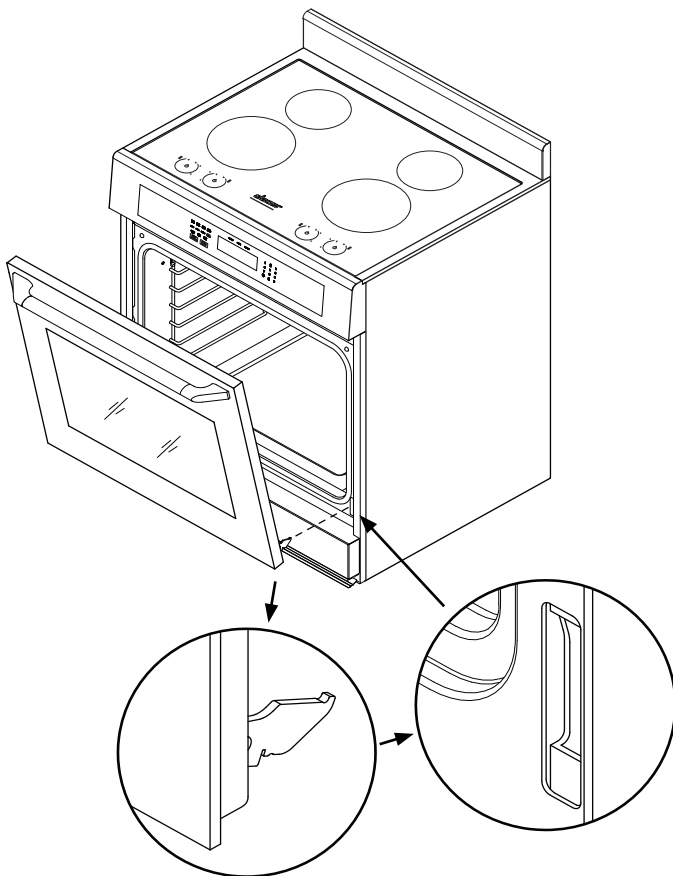
## Re-installing the Oven Door

### **WARNING**

To avoid personal injury or damage to the door from it falling off its hinges:

- Make sure that the notch on the bottom of each hinge rests on top of the lower lip of each hinge receptacle before attempting to open the oven door.
- Rotate the hinge locks toward the front of the range immediately after installation of the door.

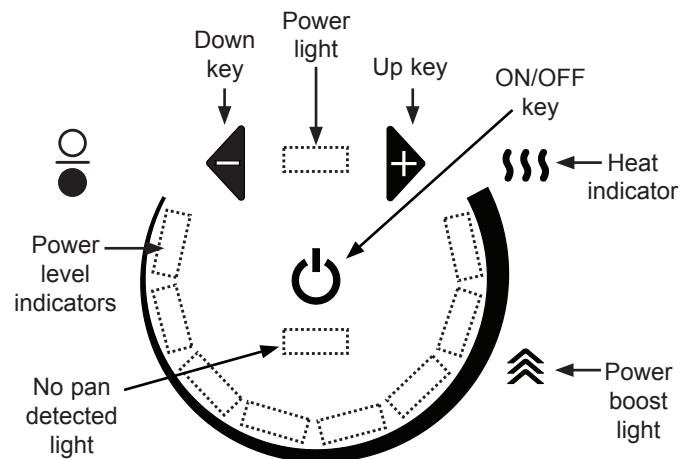
1. Grasp the oven door on opposite sides and hold it at a 15° angle from the front of the range. Slide the hinges into the hinge openings, resting the bottom of the hinge arms on the hinge receptacles. Continue to hold the door at a 15° angle with one hand while pushing in on each of the bottom corners of the door. Push until the notch on the bottom of each hinge slips over the lower lip of each hinge receptacle.



2. Lower the door to the fully opened position.
3. Rotate the two hinge locks toward the range.
4. Slowly and carefully open and close the door completely to ensure that it is properly installed.

## Verifying Proper Operation

1. Remove any packaging from inside the oven.
2. Slide the oven racks onto the supports inside the oven chamber according to the use and care manual.
3. Prior to operating the range, read the accompanying use and care manual carefully. Important safety, service and warranty information are contained within.
4. Turn on power to the range at the circuit breaker panel or fuse box.
5. Set the clock according to the use and care manual.
6. Press the **BAKE** key on the control panel. The default bake temperature should appear on the display.
7. Press **START**. After approximately three (3) minutes, check to make sure the oven is heating.
8. Press **CANCEL SECURE**.
9. Place a pot 1/4 full with water on one of the cooking elements. Match the size of the pot to the size of the cooking element. **NOTE:** You must use a pot that attracts a magnet on the pan bottom to test operation.
10. Hold your finger on the **ON/OFF** key of the corresponding control for one second to activate. The power light should come.



### Cooktop Control

11. Touch the power level up key (▶) repeatedly. Verify that the power level goes up.
12. Touch down (◀) repeatedly. Verify that the power level goes down.
13. Touch the power level up key (▶) repeatedly until the power boost light comes on.
14. Once the pot begins to heat, verify that the heat indicator light comes on.
15. Touch **ON/OFF** to turn off the element.
16. Repeat steps 9 through 15 for the remaining elements.

continued...

# Installation Instructions

17. If either the oven or the cooktop does not operate properly, follow these troubleshooting steps:
  - ◇ Verify that power is being supplied to the range.
  - ◇ Check for proper electrical connections.
  - ◇ Repeat the above tests.

If the appliance still does not work, contact Dacor Distinctive Service at (800) 793-0093, extension 2822. Do not attempt to repair the appliance yourself. If you need service, be sure to have the model and serial numbers available when you call. See the inside cover for location. Dacor is not responsible for the cost of correcting problems caused by a faulty installation.

## Installation Checklist



### WARNING

To ensure a safe and proper installation, the installer must perform the following checklist to ensure that no part of the installation has been overlooked. Proper installation is the responsibility of the homeowner.

1. Has the plastic coating been peeled off of the outside of the range? Have all packaging materials been removed from inside the oven?
2. Are all of the legs extended down to make contact with the floor? Is the unit level? See page 16.
3. Is the range secured in place with the provided anti-tip bracket according to these instructions? See page 8 and 16.
4. Is the range wired and grounded according to these instructions and in accordance with all applicable electrical codes? Has the electrical access cover been replaced? See pages 3 and 10.
5. Is the oven door properly installed according to these instructions? See page 17.
6. Has proper operation been verified?
7. Has the warranty been activated on-line or the warranty card been filled out completely and mailed?



# Notes

# Notes



***dacor***  
The Life of the Kitchen.®

