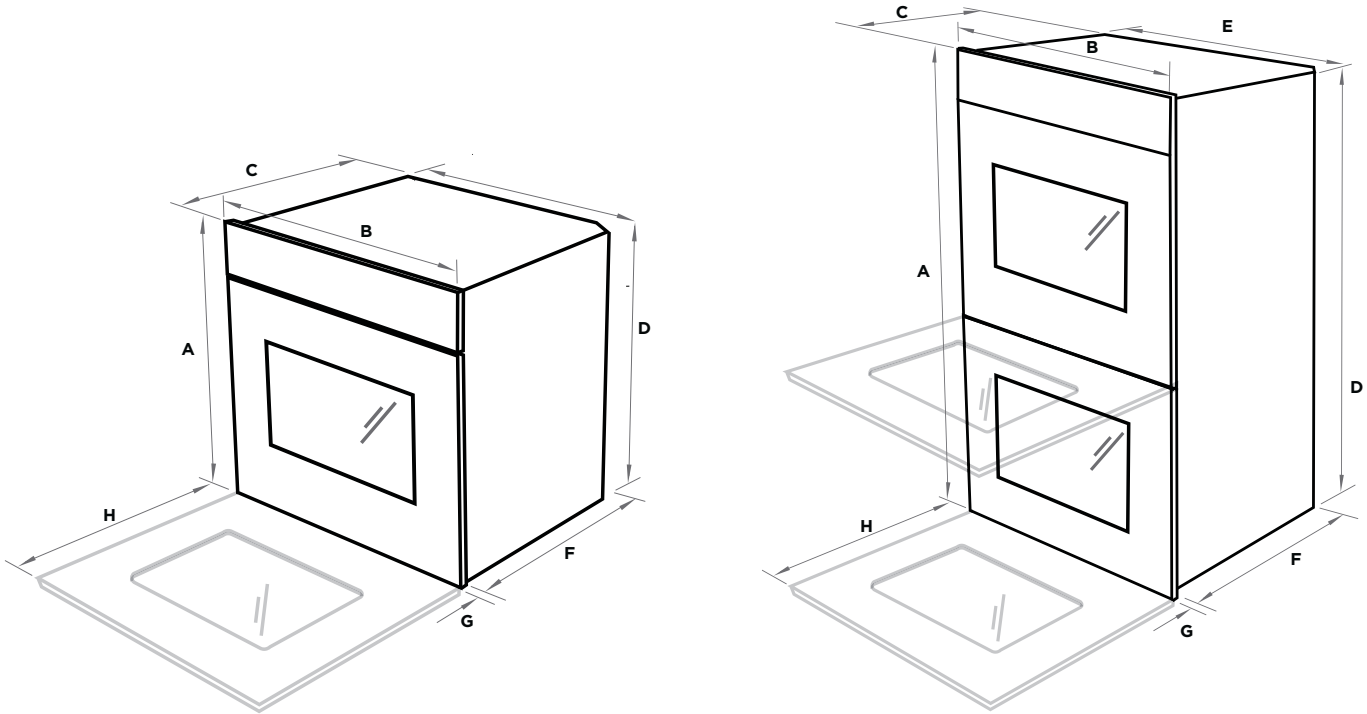




Single and Double Oven Product Dimensions

WOSU-30 & WODU-30

WOSV-30 & WODV-30



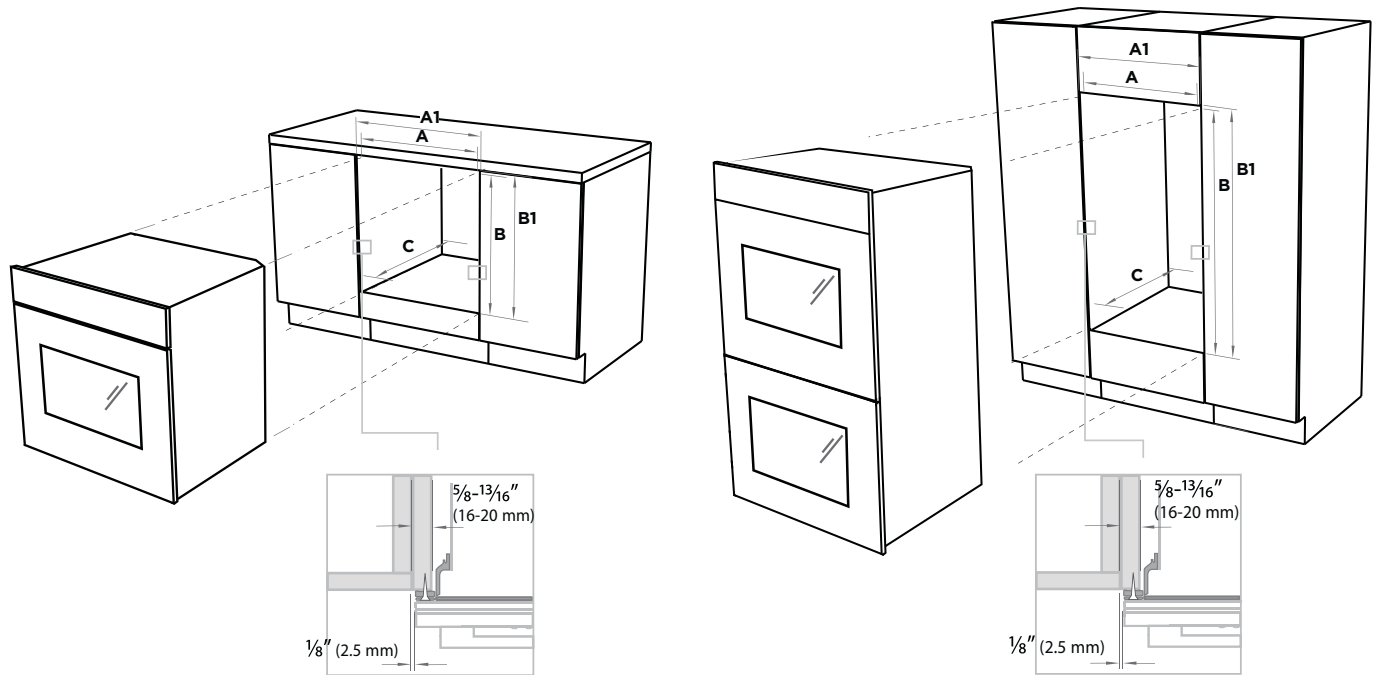
Product Dimensions (inches)

	WOSU30 WOSV30	WODU30 WODV30
A Overall height of product	28 1/8"	48 1/2"
B Overall width of product	29 15/16"	29 15/16"
C Overall depth of product (without handle)	23 15/16"	23 15/16"
D Height of chassis	26 9/16"	47 15/16"
E Width of chassis	28 5/16"	28 5/16"
F Depth of chassis	22 3/8"	22 3/8"
G Depth of oven frame and control panel (excl. knobs)	1 1/2"	1 1/2"
H Depth of oven door (open) (measured from front of oven frame)	20 7/8"	20 7/8"



Single and Double Oven Cabinet Dimensions

WOSU-30 & WODU-30
WOSV-30 & WODV-30



Ensure the cavity is completely sealed with no gaps

Cabinetry Dimensions (inches)

		WOSU30 WOSV30	WODU30 WODV30
A	Minimum inside width of cavity	28 1/8"	28 1/2"
A¹	Overall width of cabinetry	30 1/8"	30 1/8"
B	Inside height of cavity	26 13/16"	48 3/16"
B¹	Overall height of cabinetry	27 3/8"	48 1 1/16"
C	Minimum inside depth of cavity	22 5/8"	22 5/8"

Note: If installing a cooktop above the oven, ensure adequate clearance is provided for the cooktop as per the cooktop manufacturer's instructions.