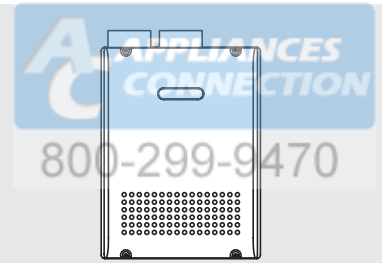




Thinking of you
Electrolux



EN CONDENSING TANKLESS GAS WATER HEATER
SP CALENTADOR A GAS TIPO CONDENSADO

Installation Manual
Manual de Instalación

SBB800S-1
Rev. 09/13

5995615126 September 2013



SBB800S



800-299-9470

Installation Manual



APPLIANCES
Thinking of you
Electrolux
800-299-9470

CONDENSING TANKLESS GAS WATER HEATER

EN18WI30LS
EP18WI30LS

Potential dangers from accidents during installation and use are divided into the following three categories. Closely observe these warnings, they are critical to your safety.



DANGER

DANGER indicates an imminently hazardous situation which, if not avoided, will result in death or serious injury.



WARNING

WARNING indicates a potentially hazardous situation which, if not avoided, could result in death or serious injury.



CAUTION

CAUTION indicates a potentially hazardous situation which, if not avoided, may result in minor or moderate injury.

WARNING: If the information in this manual is not followed exactly, a fire or explosion may result causing property damage, personal injury or death.



Prohibited



Disconnect
Power



Ground



Be sure to do



CAUTION

Requests to Installers

- In order to use the water heater safely, read this installation manual carefully, and follow the installation instructions.
- Failures and damage caused by erroneous work or work not as instructed in this manual are not covered by the warranty.
- Check that the installation was done properly in accordance with this Installation Manual upon completion.
- After completing installation, please either place this Installation Manual in a plastic pouch and attach it to the side of the water heater (or the inside of the pipe cover or recess box if applicable), or hand it to the customer to retain for future reference. Also, be sure to fill in all of the required items on the registration/warranty card and to hand the registration/warranty card to the customer along with the Use and Care Manual.



Low NOx
Approved by
SCAQMD
14 ng/J or 20 ppm
(Natural Gas Only)

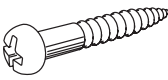
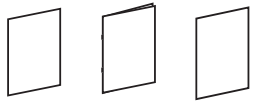


FOR USE IN RESIDENTIAL APPLICATIONS IN THE UNITED STATES ONLY.
NOT INTENDED FOR USE IN CANADA OR MEXICO.

Installation must conform with local codes, or in the absence of local codes, the National Fuel Gas Code, ANSI Z223.1/NFPA 54- latest edition.

Electrolux Home Products, Inc. reserves the right to discontinue, or change at any time, the designs and/or specifications of its products without notice.


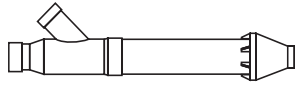
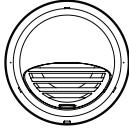


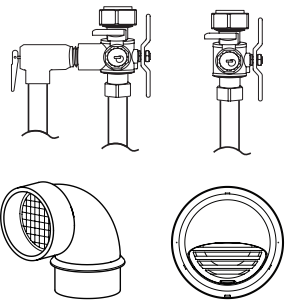
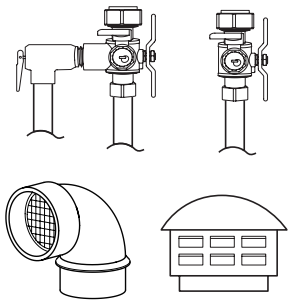
1. Included Accessories

The following accessories are included with the unit. Check for any missing items before starting installation.

Part	Shape	Q'ty	Part	Shape	Q'ty
Anchoring Screw		5	Use and Care Manual, Warranty, Installation Manual (this document)		1 each
Remote Controller (See page 31)		1	Remote Controller Cord (6ft (2m)) (RC-CORD6)		1

2. Optional Accessories

The accessories listed below are not included with the units, but may be necessary for installation. Contact Electrolux Home Products, Inc. at 1-888-360-8557 for further information.

Part	Shape	Part	Shape
Quick Connect Cord TWHQCCORD		3" (75mm) PVC Terminal TWHHORCONC	
3" (75mm) / 4" (100mm) Horizontal Hood Termination TWHHORHOOD		3" (75mm) / 4" (100mm) Vertical Rain Cap Termination TWHVERTCAP	
Neutralizer Kit TWHNEUTRAL			
Horizontal Installation Kit TWHHORKIT (Isolation Valves, Pressure Relief Valve, Horizontal Hood Termination, SV Conversion Kit (#SV-CK-3)		Vertical Installation Kit TWHVERTKIT (Isolation Valves, Pressure Relief Valve, Vertical Rain Cap Termination, SV Conversion Kit (#SV-CK-3)	

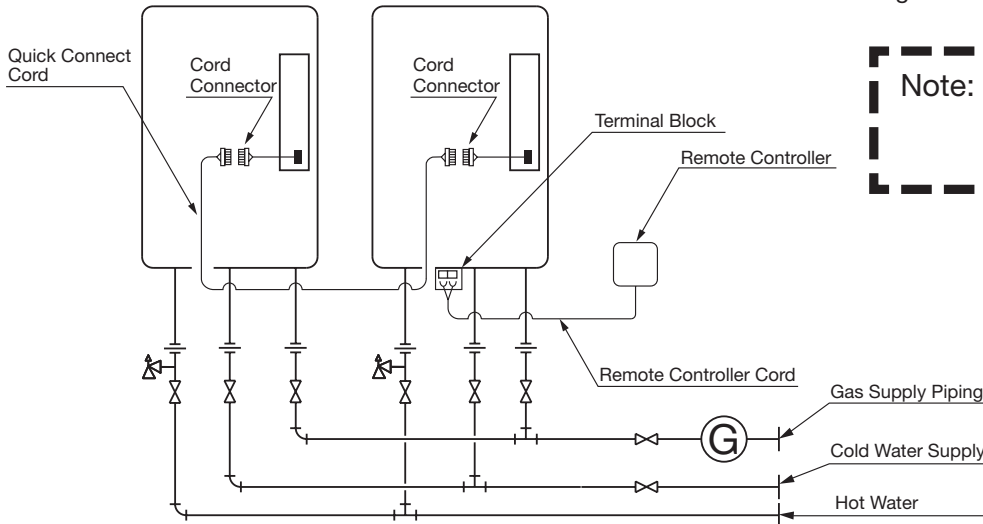
3. Quick Connect Multi System Installation

- The Quick Connect Multi System allows the installation of two units together utilizing only the Quick Connect Cord.

The Quick Connect Cord is 6 ft.(2m) long. Install the units 2-18" (50 - 457mm) apart from each other to ensure the cord will be able to reach between the units. (See Typical Plumbing diagram). (If the distance between the two units is too great, not only will the cord not be able to reach, but the water temperature may also become unstable because of the difference in pipe length between the two units).

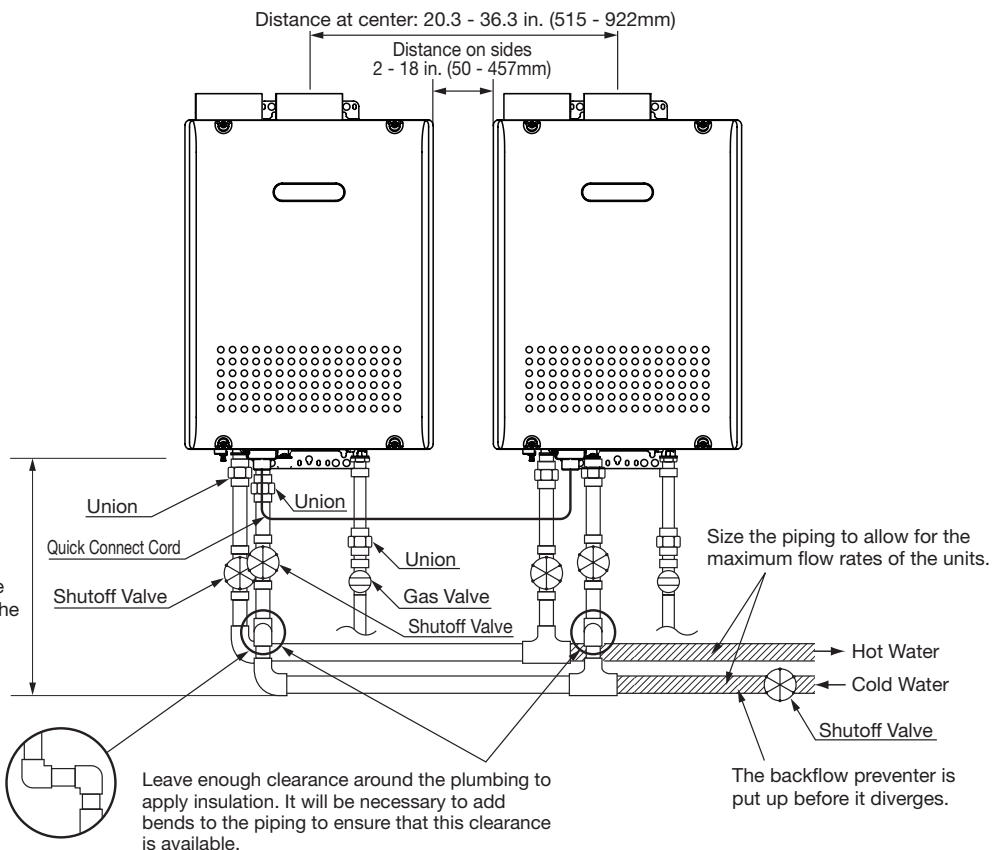
System Diagram

* When connecting two units, use only a single remote controller.



Note: Connect the remote controller to only one of the units.

Typical Plumbing



Make this distance as short as possible.
* The hot water temperature will become unstable as the pipe length increases.

Leave enough clearance around the plumbing to apply insulation. It will be necessary to add bends to the piping to ensure that this clearance is available.

The backflow preventer is put up before it diverges.

- Insulate the hot water piping to prevent heat loss. Insulate and apply heating materials to the cold water supply piping to prevent heat loss and freezing of pipes when exposed to excessively cold temperatures.

4. Before Installation

DANGER

Checkup

- Check the fixing brackets and vent pipe yearly for damage or wear. Replace if necessary.

WARNING

Precautions on Vent Pipe Replacement

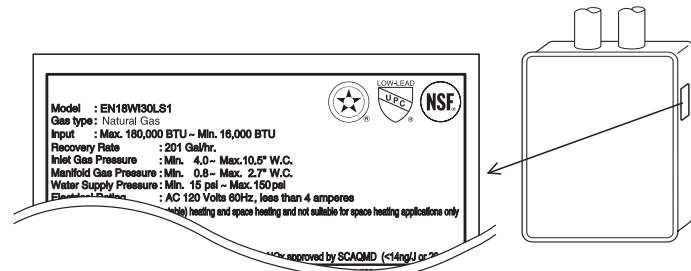
- The vent system will almost certainly need to be replaced when this appliance is being installed. Only use vent materials that are specified in this Installation Manual for use on this appliance. Refer to the "Vent Pipe Installation" section for details. If PVC, CPVC, or Category IV listed pipe is already installed, check for punctures, cracks, or blockages and consult with the vent pipe manufacturer before reusing. Improper venting may result in fires, property damage or exposure to Carbon Monoxide.

Snow Precaution

- If this product will be installed in an area where snow is known to accumulate, protect the vent termination from blockage by snow drifts or damage from snow falling off of roofs.

Check the Gas

- Check that the rating plate indicates the correct type of gas.
- Check that the gas supply line is sized for 180,000 Btuh.



Check the Power

- The power supply required is 120VAC, at 60Hz. Using the incorrect voltage may result in fire or electric shock.

Use Extreme Caution if Using With a Solar Pre-Heater

- Using this unit with a solar pre-heater can lead to unpredictable output temperatures and possibly scalding. If absolutely necessary, use mixing valves to ensure output temperatures do not get to scalding levels. Do not use a solar pre-heater with the quick-connect multi-system.

CAUTION

Do Not Use Equipment for Purposes Other Than Those Specified

- Do not use for other than increasing the temperature of the water supply, as unexpected accidents may occur as a result.

Check Water Supply Quality

- If the water supply is in excess of 12 grains per gallon (200 mg/L) of hardness, acidic or otherwise impure, treat the water with approved methods in order to ensure full warranty coverage.

5. Choosing Installation Site

* Locate the appliance in an area where leakage from the unit or connections will not result in damage to the area adjacent to the appliance or to the lower floors of the structure. When such locations cannot be avoided, it is recommended that a suitable drain pan, adequately drained, be installed under the appliance. The pan must not restrict combustion air flow.

DANGER

- Locate the vent terminal so that there are no obstacles around the termination and so that exhaust can't accumulate. Do not enclose the termination with corrugated metal or other materials.

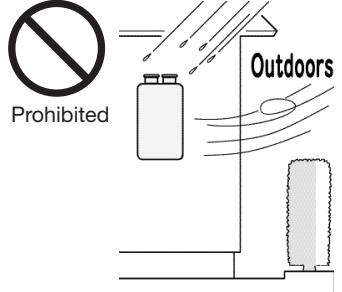
WARNING

- Avoid places where fires are common, such as those where gasoline, benzene and adhesives are handled, or places in which corrosive gases (ammonia, chlorine, sulfur, ethylene compounds, acids) are present.
Using the incorrect voltage may result in fire or cracking.
- Avoid installation in places where dust or debris will accumulate.
Dust may block the air-supply opening, causing the performance of the device fan to drop and incomplete combustion to occur as a result.
- Avoid installation in places where special chemical agents (e.g., hair spray or spray detergent) are used.
Ignition failures and malfunction may occur as a result.
- Carbon Monoxide Poisoning Hazard. Do not install this water heater in a mobile home, recreational vehicle or on a boat.



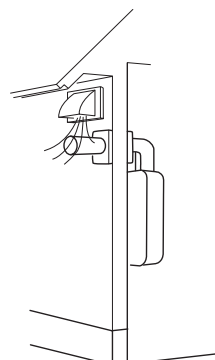
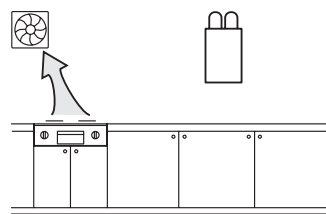
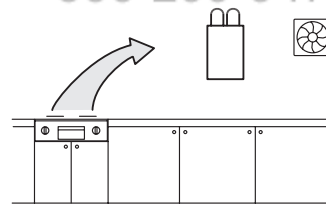
CAUTION

- The water heater is designed for indoor installation only. Never install it outdoors or in a bathroom, it may be damaged or a fire may be caused.
- Consult with the customer concerning the location of installation.
- Install the water heater in an area that allows for the proper clearances to combustible and noncombustible construction. Consult the rating plate on the appliance for proper clearances.
- Do not install the water heater in a place where it may be threatened by falling objects, such as under shelves.
- The water heater must be installed in a place where supply and exhaust pipes can be installed as directed.
- Do not install the water heater where the exhaust will blow on outer walls or material not resistant to heat. Also consider the surrounding trees and animals.
The heat and moisture from the water heater may cause discoloration of walls and resinous materials, or corrosion of aluminum materials.



CAUTION

- Avoid installation above gas ranges or stoves.
- Avoid installation between the kitchen fan and stove. If oily fumes or a large amount of steam are present in the installation location, take measures to prevent the fumes and steam from entering in the equipment.
- Install in a location where the exhaust gas flow will not be affected by fans or range hoods.
- Take care that noise and exhaust gas will not affect neighbors. Avoid installation on common walls as the unit will make some operational noises while it is running.
- Before installing, make sure that the exhaust flue termination will have the proper clearances according to the National Fuel Gas Code (ANSI Z223.1).



State of California: The water heater must be braced, anchored or strapped to avoid moving during an earthquake. Contact local utilities for code requirements in your area or call: Electrolux Home Products, Inc. at 1-888-360-8557 and request instructions.

The Commonwealth of Massachusetts: The water heater can be used for hot water only and not in a combination of domestic and space heating.

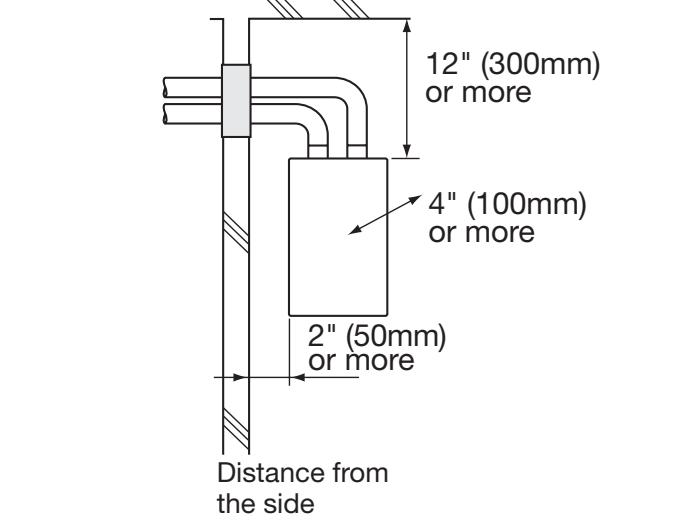
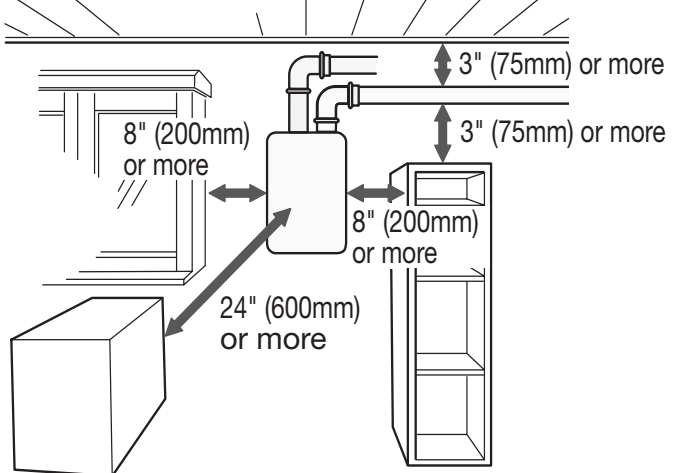
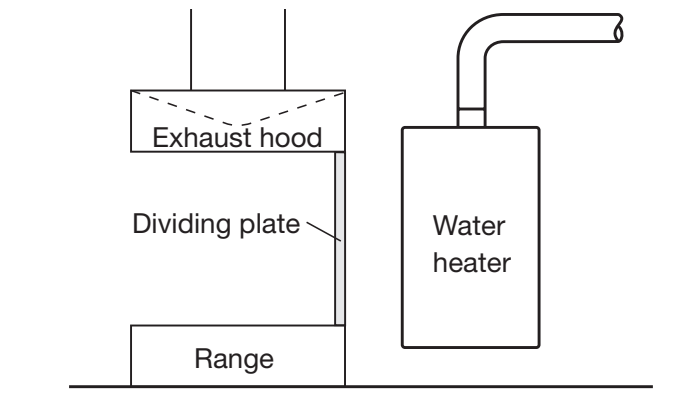
For Venting Manufacturers Requirements, call Electrolux Home Products, Inc. at 1-888-360-8557 or visit us at www.electroluxappliances.com.

6. Installation Clearances

WARNING

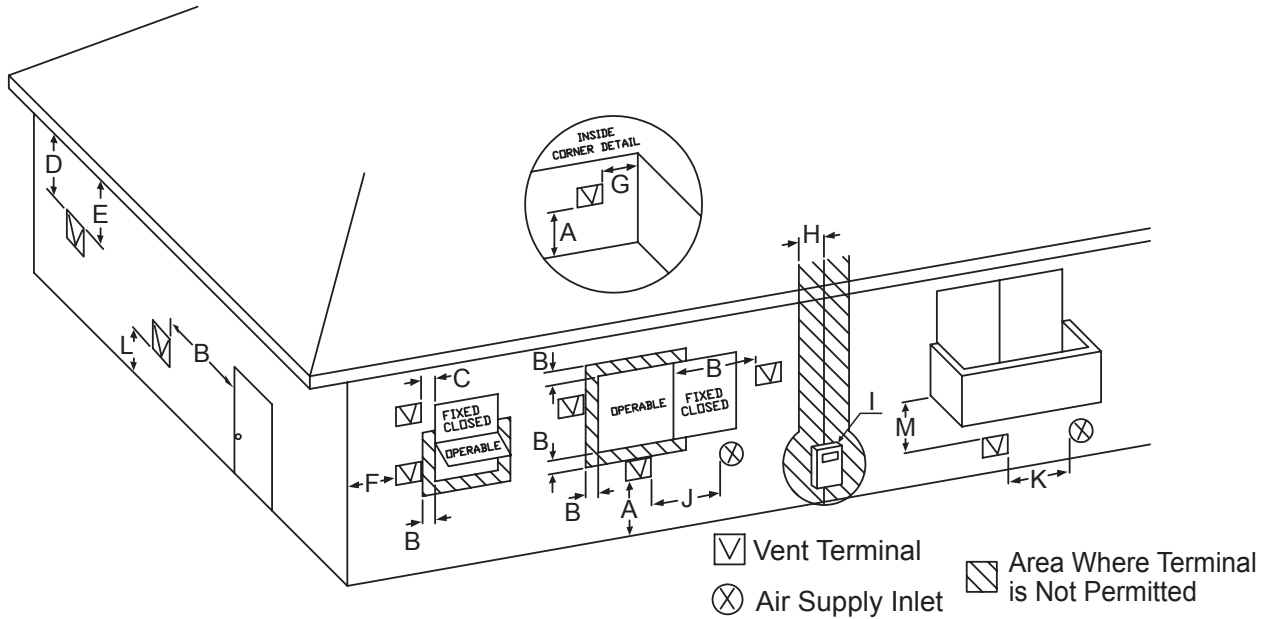
Before installing, check for the following:

Install in accordance with relevant building and mechanical codes, as well as any local, state or national regulations, or in the absence of local and state codes, to the National Fuel Gas Code ANSI Z223.1/NFPA 54 – latest edition.

Item	Check	Illustration
Distance from combustibles	<ul style="list-style-type: none"> Maintain the following clearances from both combustible and non-combustible materials. 	 <p style="text-align: center;">Distance from the side</p>
Securing of space for repair/inspection	<ul style="list-style-type: none"> If possible, leave 8" (200mm) or more on either side of the unit to facilitate inspection. If possible, leave 24" (600mm) or more in front of the unit to facilitate maintenance and service if necessary. If possible, leave 3" (75mm) or more above and below the vent pipe to facilitate inspection and repair if necessary. 	
Cooking Equipment	<p><When using indoor air for combustion></p> <ul style="list-style-type: none"> If the unit will be installed in the vicinity of a permanent kitchen range or stove that has the possibility of generating steam that contains fats or oils, use a *dividing plate or other measure to ensure that the unit is not exposed to air containing such impurities. <p>* The dividing plate should be of noncombustible material of a width greater than the water heater.</p>	

Clearance Requirements from Vent Terminations to Building Openings <When supplying combustion air from the outdoors (Direct Vent)>

* All clearance requirements are in accordance with ANSI Z21.10.3 and the National Fuel Gas Code, ANSI Z223.1.



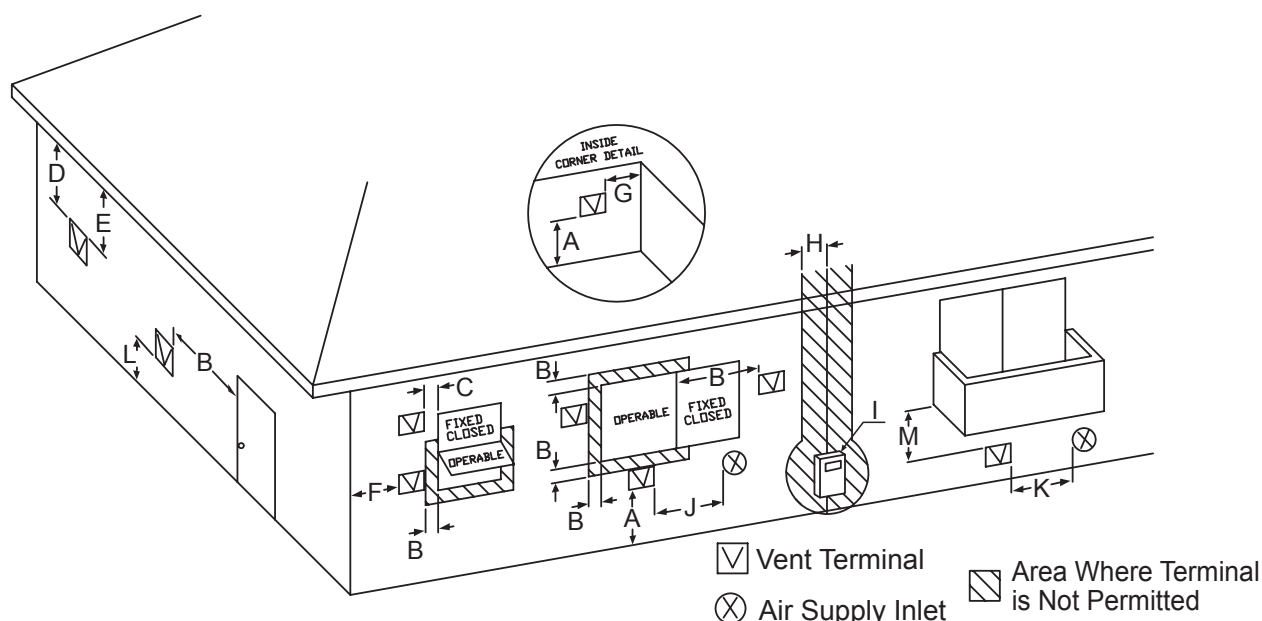
Ref	Description	US Direct Vent Installations ¹
A=	Clearance above grade, veranda, porch, deck, or balcony	12 in (30 cm)
B=	Clearance to window or door that may be opened	12 in (30 cm)
C=	Clearance to permanently closed window	*
D=	Vertical clearance to ventilated soffit located above the terminal within a horizontal distance of 2 feet (61 cm) from the center line of the terminal	*
E=	Clearance to unventilated soffit	*
F=	Clearance to outside corner	*
G=	Clearance to inside corner	*
H=	Clearance to each side of center line extended above meter/regulator assembly	*
I=	Clearance to service regulator vent outlet	*
J=	Clearance to nonmechanical air supply inlet to building or the combustion air inlet to any other appliance	12 in (30 cm)
K=	Clearance to a mechanical air supply inlet	3 ft (91 cm) above if within 10 ft (3 m) horizontally
L=	Clearance above paved sidewalk or paved driveway located on public property	*
M=	Clearance under veranda, porch, deck, or balcony	*

¹ In accordance with the current ANSI Z223.1 / NFPA 54 National Fuel Gas Code

* Clearance in accordance with local installation codes and the requirements of the gas supplier. Clearance to opposite wall is 24 inches (60 cm).

Clearance Requirements from Vent Terminations to Building Openings <When supplying combustion air from the indoors (Non-Direct Vent)>

* All clearance requirements are in accordance with ANSI Z21.10.3 and the National Fuel Gas Code, ANSI Z223.1.



Ref	Description	US Non-Direct Vent Installations ²
A=	Clearance above grade, veranda, porch, deck, or balcony	12 in (30 cm)
B=	Clearance to window or door that may be opened	4 ft (1.2 m) below or to side of opening; 1 ft (30 cm) above opening
C=	Clearance to permanently closed window	*
D=	Vertical clearance to ventilated soffit located above the terminal within a horizontal distance of 2 feet (61 cm) from the center line of the terminal	*
E=	Clearance to unventilated soffit	*
F=	Clearance to outside corner	*
G=	Clearance to inside corner	*
H=	Clearance to each side of center line extended above meter/regulator assembly	*
I=	Clearance to service regulator vent outlet	*
J=	Clearance to nonmechanical air supply inlet to building or the combustion air inlet to any other appliance	4 ft (1.2 m) below or to side of opening; 1 ft (30 cm) above opening
K=	Clearance to a mechanical air supply inlet	3 ft (91 cm) above if within 10 ft (3 m) horizontally
L=	Clearance above paved sidewalk or paved driveway located on public property	*
M=	Clearance under veranda, porch, deck, or balcony	*

¹ In accordance with the current ANSI Z223.1 / NFPA 54 National Fuel Gas Code


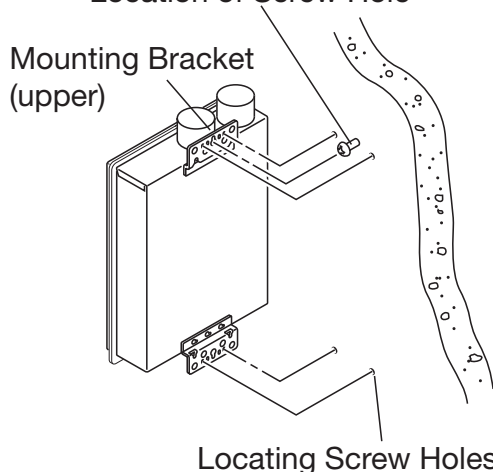
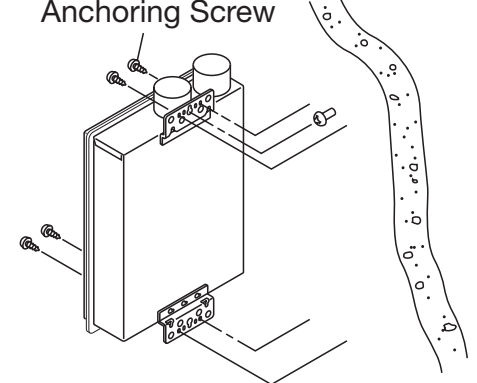
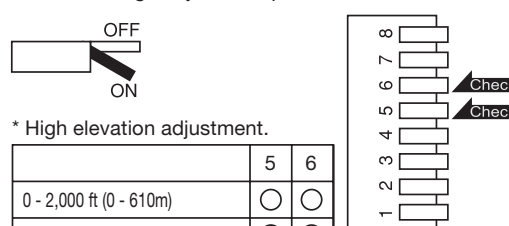
* Clearance in accordance with local installation codes and the requirements of the gas supplier. Clearance to opposite wall is 24 inches (60 cm).

7. Installation

Securing to the wall




- The weight of the device will be applied to the wall. If the strength of the wall is not sufficient, reinforcement must be done to prevent the transfer of vibration.
- Do not drop or apply unnecessary force to the device when installing. Internal parts may be damaged and may become highly dangerous.
- Install the unit on a vertical wall and ensure that it is level.

Item	Check	Illustration															
Locating Screw Holes	<div style="border: 2px solid black; padding: 5px; text-align: center;">  CAUTION </div> <ul style="list-style-type: none"> • When installing with bare hands, take caution to not inflict injury. • Be careful not to hit electrical wiring, gas, or water piping while drilling holes. <ol style="list-style-type: none"> 1. Drill a single screw hole, making sure to hit a stud. 2. Insert and tighten the screw and hang the unit by the upper wall mounting bracket. 3. Determine the positions for the remaining four screws (two for the top bracket and two for the bottom), and remove the unit. 	<p style="text-align: center;">Location of Screw Hole</p> 															
Mounting	<ol style="list-style-type: none"> 4. Drill holes for the remaining four screws. 5. Hang the unit again by the first screw, and then insert and tighten the remaining four screws. 6. Take waterproofing measures so that water does not enter the building from screws mounting the device. 	<p style="text-align: center;">Anchoring Screw</p> 															
Structure	<ul style="list-style-type: none"> • Make sure the unit is installed securely so that it will not fall or move due to vibrations or earthquakes. 																
Installations at Elevations Above 2,000 ft.	<ul style="list-style-type: none"> • Adjust the dip switches as illustrated in the table to the right if this water heater is installed at an altitude of 2000 ft. (610m) or higher. • Disconnect power to the water heater before changing the dip switches. Failure to perform this step will result in a "73" code displayed on the remote controller and a cease in operation. If this occurs, disconnect, then reconnect power to the water heater to reset the system. Note : Please refer to page 31 for the location of the dip switch bank. 	<p>* Do not change any other dipswitches.</p>  <p>* High elevation adjustment.</p> <table border="1" data-bbox="973 1881 1308 2072"> <thead> <tr> <th></th> <th>5</th> <th>6</th> </tr> </thead> <tbody> <tr> <td>0 - 2,000 ft (0 - 610m)</td> <td style="text-align: center;">○</td> <td style="text-align: center;">○</td> </tr> <tr> <td>2,001 - 4,000 ft (611 - 1,220m)</td> <td style="text-align: center;">●</td> <td style="text-align: center;">○</td> </tr> <tr> <td>4,001 - 6,000 ft (1,221 - 1,830m)</td> <td style="text-align: center;">○</td> <td style="text-align: center;">●</td> </tr> <tr> <td>6,001 - 8,000 ft (1,831 - 2,440m)</td> <td style="text-align: center;">●</td> <td style="text-align: center;">●</td> </tr> </tbody> </table> <p>ON= ● OFF= ○</p>		5	6	0 - 2,000 ft (0 - 610m)	○	○	2,001 - 4,000 ft (611 - 1,220m)	●	○	4,001 - 6,000 ft (1,221 - 1,830m)	○	●	6,001 - 8,000 ft (1,831 - 2,440m)	●	●
	5	6															
0 - 2,000 ft (0 - 610m)	○	○															
2,001 - 4,000 ft (611 - 1,220m)	●	○															
4,001 - 6,000 ft (1,221 - 1,830m)	○	●															
6,001 - 8,000 ft (1,831 - 2,440m)	●	●															

Filling the condensate trap with water

The condensate trap can be filled before connecting the vent pipe.

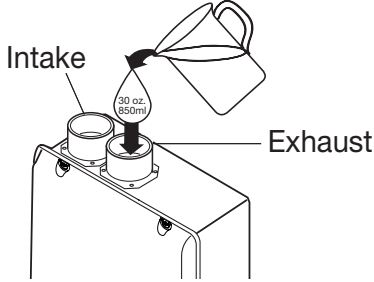
Filling the condensate trap before vent pipe installation.



DANGER Prior to initial start up, make sure that you fill the condensate trap with water. This is to prevent dangerous exhaust gases from entering the building. Failure to fill the condensate trap could result in severe personal injury or death.

Please follow one of the procedures described below to ensure that the condensate trap is filled with water.

- 1) Fill the condensate trap by pouring approx. 30 oz.(850ml) of water into the exhaust accessory on the top of the appliance as illustrated below.



Or, if the vent pipe has already been installed:

- 2) After installing the drain pipe, make sure that the area around the appliance is well ventilated; open a window or a door if necessary. Then, operate the unit and verify that condensate is coming out of the drain pipe. (During normal use of the water heater, condensate will begin to discharge from the drain pipe within 15 minutes of use. However, depending on the season and/or installation site conditions, it may take longer.)

Note: The condensate discharged from the water heater has a pH level of approximately 2-3. If required by local code, the condensate must be neutralized prior to disposal into the sewer system. Refer to pages 27-28 for additional details.

8. Vent Pipe Installation

WARNING



CARBON MONOXIDE POISONING
Follow all vent system requirements in accordance with relevant local or state regulation, or, in the absence of local or state code, in the U.S. to the National Fuel Gas Code ANSI Z233.1/NFPA 54 – latest edition.

General Requirements

- Under normal conditions, this appliance will not produce an exhaust flue temperature in excess of 149°F (65°C) and schedule 40 PVC pipe may be used as the vent material. If required by local code, schedule 40 or 80 CPVC may also be used on this appliance. Refer to page 14 for additional requirements.
- Make sure the vent system is gas tight and will not leak.
- Support the vent pipe with hangers at regular intervals as specified by these instructions or the instructions of the vent manufacturer.
- Do not common vent or connect more than one appliance to this venting system.
- The total vent length including horizontal & vertical vent runs should be no less than 3' (0.9m).
- Do not store hazardous or flammable substances near the vent termination and check that the termination is not blocked in any way.
- Steam or condensed water may come out from the vent termination. Select the location for the termination so as to prevent injury or property damage.
- If snow is expected to accumulate, take care the end of the pipe is not covered with snow or hit by falling lumps of snow.

Maximum Vent Lengths

- This appliance has been designed to be vented with either 3" (75mm) or 4" (100mm) PVC or CPVC pipe.
Do not exceed the following maximum vent lengths:

Pipe diameter	3" (75mm)	4" (100mm)
No. of Elbows	Max. Straight Vent Length*	
6	24' (7.2m)	24' (7.2m)
5	30' (9.0m)	30' (9.0m)
4	35' (10.8m)	35' (10.8m)
3	41' (12.6m)	41' (12.6m)
2	47 (14.4m)	47 (14.4m)
1	53' (16.2m)	53' (16.2m)

* Not including the termination.

- Maintain the same vent pipe diameter from the heater flue to the vent termination. The exhaust and intake pipes must be the same vent pipe diameter.

Clearances

PVC or CPVC has been approved for use on this appliance with zero clearance to combustibles.

Maximum Vent Length Adjustment Dipswitches

800-299-9470

The unit can be adjusted to accommodate longer vent runs; refer to the below table to find the maximum vent length based on the number of elbows. Adjust the dip switches according to the vent condition noted in the tables below.

Note: By default, the unit has been set to the "short length" condition. When adjusting the dip switches for longer vent runs, the BTUH input of the appliance will be reduced by up to 5%.

- Disconnect power to the water heater before changing the dip switches. Failure to perform this step will result in a "73" code displayed on the remote controller and a cease in operation. If this occurs, disconnect, then reconnect power to the water heater to reset the system.
Note : Please refer to page 31 for the location of the dip switch bank.

[Maximum Vent Length Example]

- Two 90° elbows, maximum length = 18 ft. (5.4m)
(with dip switches set at "short length" condition)
- Two 90° elbows, maximum length = 47 ft. (14.4m)
(with dip switches set at "long length" condition)

<Maximum Vent Length Configurations>

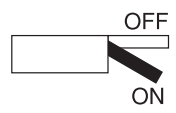
Vent length			Elbows						
ft	m	Number of pieces**	0	1	2	3	4	5	6
0	0.00	0	① ③	① ③	① ③	① ③	① ③	② ④	② ④
3	0.90	1	① ③	① ③	① ③	① ③	① ③	② ④	② ④
6	1.80	2	① ③	① ③	① ③	① ③	① ③	② ④	② ④
9	2.70	3	① ③	① ③	① ③	① ③	② ④	② ④	② ④
12	3.60	4	① ③	① ③	① ③	① ③	② ④	② ④	② ④
15	4.50	5	① ③	① ③	① ③	② ④	② ④	② ④	② ④
18	5.40	6	① ③	① ③	① ③	② ④	② ④	② ④	② ④
21	6.30	7	① ③	① ③	② ④	② ④	② ④	② ④	② ④
24	7.20	8	① ③	① ③	② ④	② ④	② ④	② ④	② ④
27	8.10	9	① ③	② ④	② ④	② ④	② ④	② ④	
30	9.00	10	① ③	② ④	② ④	② ④	② ④	② ④	
32	9.90	11	② ④	② ④	② ④	② ④	② ④		
35	10.80	12	② ④	② ④	② ④	② ④	② ④		
38	11.70	13	② ④	② ④	② ④	② ④			
41	12.60	14	② ④	② ④	② ④	② ④			
44	13.50	15	② ④	② ④	② ④				
47	14.40	16	② ④	② ④	② ④				
50	15.30	17	② ④	② ④					
53	16.20	18	② ④	② ④					
56	17.10	19	② ④						
59	18.00	20	② ④						

① Short length using 3" (75mm) pipe	③ Short length using 4" (100mm) pipe
② Long length using 3" (75mm) pipe	④ Long length using 4" (100mm) pipe

**Table assumes straight vent pieces are 3' (0.9m) each. Shorter or longer vent pieces may also be used up to the maximum allowed vent length.

The power must be unplugged when adjusting the dip switches to switch the airflow amount.

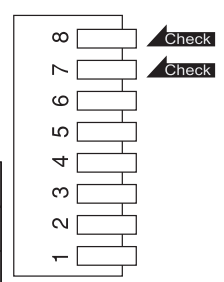
* Do not change any other dipswitches.



* Vent length condition.

	7	8
① Short length using 3" (75mm) pipe	○	○
② Long length using 3" (75mm) pipe	●	○
③ Short length using 4" (100mm) pipe	○	●
④ Long length using 4" (100mm) pipe	●	●

ON= ● OFF= ○




Venting With PVC or CPVC

This appliance can be vented with non cellular core plastic pipe materials as specified in the below table.

Item	Material	United States
Exhaust Vent/Air Intake	Schedule 40 PVC	ANSI/ASTM D1785
	PVC-DWV	ANSI/ASTM D2665
	Schedule 40 CPVC	ANSI/ASTM F441
Pipe Cement/Primer	PVC	ANSI/ASTM D2564
	CPVC	ANSI/ASTM F493
Note: Do Not Use Cellular Foam Core Pipe		

PVC/CPVC Installation Instructions

- Use only solid PVC or CPVC schedule 40 pipe. Cellular foam core piping is not allowed.
- 3" or 4" schedule 80 pipe may also be used on this appliance, however the BTUH input of the appliance will be reduced by up to 5%.
- Follow all general venting guidelines as outlined on this page.
- PVC or CPVC pipe has been approved for use on this appliance with zero clearance to combustibles.
- The pipe shall be installed so that the first 3' (0.9m) of pipe from the appliance flue outlet is readily accessible for visual inspection.
- When preparing and assembling the pipe, follow instructions as provided by the pipe manufacturer. In general, the following practices must be observed:
 - o Squarely cut all pieces of pipe.
 - o Remove all burrs and debris from joints and fittings.
 - o All joints must be properly cleaned, primed, and cemented. Use only cement and primer approved for use with the pipe material as outlined in the above table.



WARNING

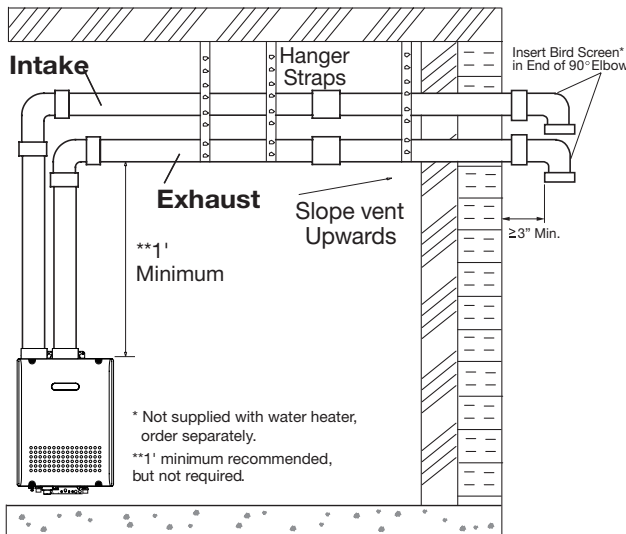
CARBON MONOXIDE POISONING

Failure to properly seal the vent system could cause flue products to enter the living space.

- All piping must be fully supported. Use pipe hangers at a minimum of 3' (0.9m) intervals. Do not use the water heater to support the vent piping.
- When attaching the piping to the water heater, use the appropriate primer and cement to ensure a proper seal.
- A bird screen must be installed on the vent terminations if they are not already part of the vent termination assembly to prevent debris or animals from entering the piping. These screens are not supplied with the water heater and must be purchased separately.

Vent Pipe Installation

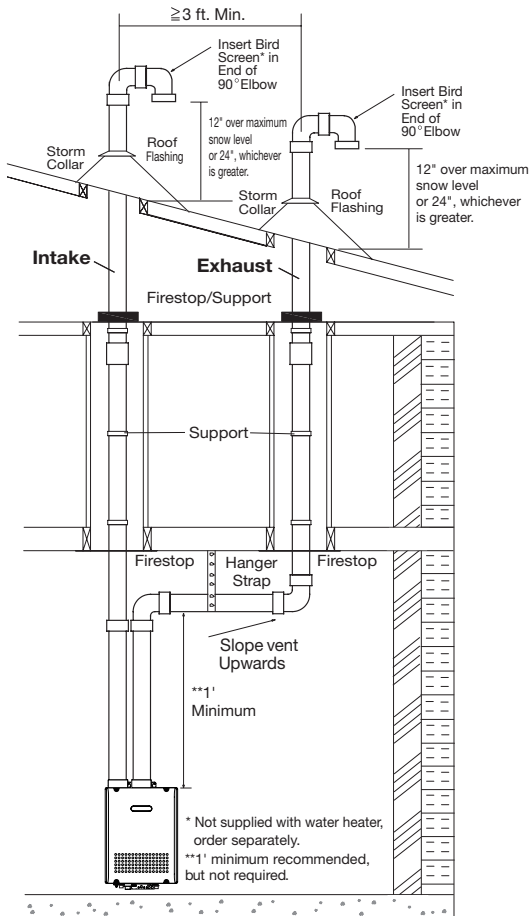
Horizontal Vent Termination- PVC/CPVC Materials Only



When choosing intake and exhaust terminations, you must use the same type of elbow (i.e. both 90° elbows). This will help with proper combustion by putting both terminations in the same pressure zone.

- As illustrated on the left, make sure to keep a distance of 3' (0.9m) or wider between the intake and exhaust when installing the vent piping.
* If 3' (0.9m) distance between Intake and Exhaust cannot be ensured, the installation can be carried out only in the installation method shown in page 17.
- The TWHHORHOOD termination may be used in place of elbows as the horizontal vent terminations. It is not necessary to use bird screens with the TWHHORHOOD termination. See page 17 for more info.
- Terminate at least 12" (300mm) above grade or above snow line.
- Terminate at least 7' (2.1m) above a public walkway, 6' (1.8m) from the combustion air intake of any appliance, and 3' (0.9m) from any other building opening, gas utility meter, service regulator etc.
- Terminate at least 3' (0.9m) above any forced air inlet within 10' (3m) , 1' (0.3m) below, 1' (0.3m) horizontally from or 1' (0.3m) above any door, window, or gravity air inlet into any building per National Fuel Gas Code ANSI Z223.1/NFPA 54.
- Slope the horizontal vent 1/4" upwards for every 12" (300mm) toward the termination.
- Use a condensation drain if necessary.
- In the Commonwealth of Massachusetts a carbon monoxide detector is required for all side wall horizontally vented gas fuel equipment. Please refer to Technical Bulletin TB 010606 for full installation instructions.

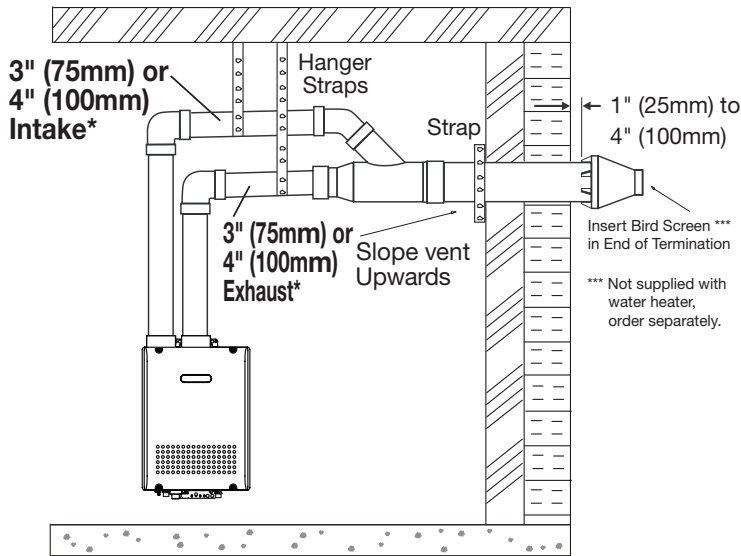
Vertical Vent Termination- PVC/CPVC Materials Only



When choosing intake and exhaust terminations, you must use the same type of elbow (i.e. both 90° elbows). This will help with proper combustion by putting both terminations in the same pressure zone.

- As illustrated on the left, make sure to keep a distance of 3' (0.9m) or wider between the intake and exhaust when installing the vent piping.
- The TWHVERTCAP termination may be used in place of elbows as the vertical vent termination. It is not necessary to use bird screens with the TWHVERTCAP termination.
- Terminate at least 6' (1.8m) from the combustion air intake of any appliance, and 3' (0.9m) from any other building opening, gas utility meter, service regulator etc.
- Enclose exterior vent systems below the roof line to limit condensation and protect against mechanical failure.
- When the vent penetrates a floor or ceiling and is not running in a fire rated shaft, a firestop and support is required.
- When the vent termination is located not less than 8' (2.4m) from a vertical wall or similar obstruction, terminate above the roof at least 2' (0.6m), but not more than 6' (1.87m), in accordance with the National Fuel Gas Code ANSI Z223.1/NFPA 54.
- Provide vertical support every 3' (0.9m) or as required by the vent pipe manufacturer's instructions.
- A short horizontal section is recommended to prevent debris from falling into the water heater.
- When using a horizontal section, slope the horizontal vent 1/4" upwards for every 12" (300mm) toward the termination to drain condensate.

Horizontal Vent Termination- 3" (75mm) Concentric PVC/CPVC Termination



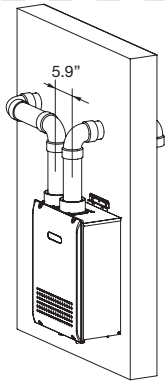
* 4" (100mm) pipe requires the use of a reducing coupling just prior to the termination.

- The concentric termination TWHHORCONC may be shortened, but not lengthened from its original factory supplied length. The concentric termination may only be used for horizontal terminations.
- 3" (75mm) or 4" (100mm) PVC or CPVC pipe may be used with the concentric termination. Maintain the same vent pipe diameter from the water heater flue to the termination.
- When using 4" (100mm) pipe, it will be necessary to use 4" (100mm) x 3" (75mm) reducing couplings and a short section of 3" (75mm) pipe to connect to the termination. Use no more than a 6" (150mm) section of pipe to make the connection between the reducing couplings and the termination.
- There must be a 1" (25mm) to 4" (100mm) clearance between the outside wall and the air intake section of the termination as illustrated on the left.
- Install a securing strap to prevent movement of the termination.
- Terminate at least 12" (300mm) above grade or above snow line.
- Terminate at least 7' (2.1m) above a public walkway, 6' (1.8m) from the combustion air intake of any appliance, and 3' (0.9m) from any other building opening, gas utility meter, service regulator etc.
- Terminate at least 3' (0.9m) above any forced air inlet within 10' (3m), 1' (0.3m) below, 1' (0.3m) horizontally from or 1' (0.3m) above any door, window, or gravity air inlet into any building per National Fuel Gas Code ANSI Z223.1/NFPA 54.
- Slope the horizontal vent 1/4" upwards for every 12" (300mm).
- Use a condensation drain if necessary.
- In the Commonwealth of Massachusetts a carbon monoxide detector is required for all side wall horizontally vented gas fuel equipment. Please refer to Technical Bulletin TB 010606 for full installation instructions.

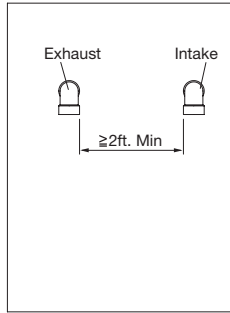
Vent Pipe Installation

Horizontal Vent Termination- PVC/CPVC Materials Only

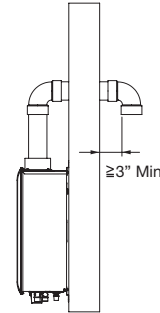
Do Not Use TWHORHOOD as a vent termination unless there is at least 3ft. (0.9m) or more distance between the intake pipe and exhaust pipe. Installations where 3ft (0.9m) distance cannot be met, use 90° elbows as the vent terminations as shown in the illustrations below.



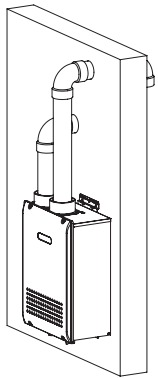
Interior View



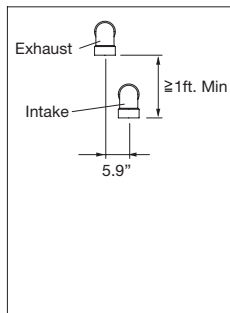
Exterior View



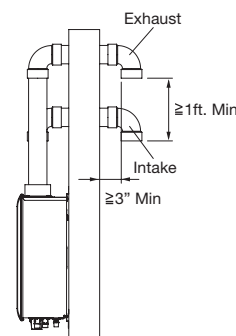
- Intake and exhaust should face the same direction. Intake and exhaust should keep the same pressure zone.
- Insert the bird screen. 90° elbow vertical setting (downward).
- Ensure at least 3ft (0.9m) or more distance between the near edge of the air intake pipe or exhaust pipe to the inside corner of a wall.
- Ensure at least 2ft (0.6m) or more distance between intake pipe and exhaust pipe. The distance is measured at inside of pipe to inner dimension.



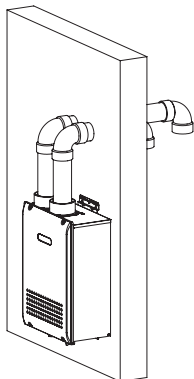
Interior View



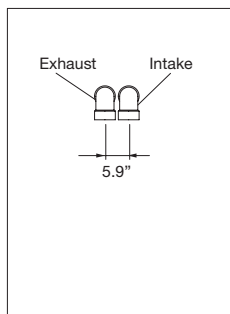
Exterior View



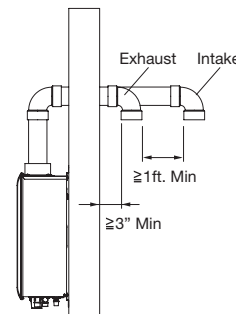
- Intake and exhaust should face the same direction. Intake and exhaust should keep the same pressure zone.
- Insert the bird screen. 90° elbow vertical setting (downward).
- Ensure at least 3ft (0.9m) or more distance between edge of air intake pipe or exhaust pipe and corner wall.
- Upper side is exhaust, lower side is intake. The reverse connection is not allowed.
- Ensure at least 1ft (0.3m) or more distance between intake pipe and exhaust pipe. The distance is measured at the outlets of intake port (terminal) and exhaust port (terminal).



Interior View



Exterior View



- Intake and exhaust should face the same direction. Intake and exhaust should keep the same pressure zone.
- Insert the bird screen. 90° elbow vertical setting (downward).
- Ensure at least 3ft (0.9m) or more distance between edge of air intake pipe or exhaust pipe and corner wall.
- The side distant from wall is intake, the side near the wall is exhaust. The reverse connection is not allowed.
- Ensure at least 1ft (0.3m) or more distance between intake pipe and exhaust pipe. The distance is measured at inside of pipe to inner dimension.



WARNING

- If the distance between the air inlet and exhaust vent terminations is too short, the water heater will draw in the exhaust gases through the intake. There is a risk of inadequate combustion air for the water heater, increasing Carbon Monoxide (CO) emissions and noise due to vibration.
- Termination elbows must be oriented vertically, pointing directly downward. Attempts to prevent exhaust air from entering the air inlet by angling termination elbows in directions other than directly downward will increase the risk of freezing.
- Reversing the air intake and exhaust pipes is not allowed. Carbon Monoxide (CO) emissions and noise due to vibration will increase.

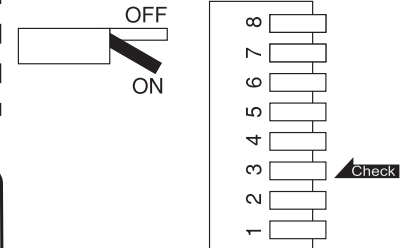
Vent Pipe Installation (When supplying combustion air from the indoors (SV, non-direct vent))

⚠ DANGER

When installing this water heater in an area with a large amount of lint such as a commercial Laundromat, direct-vent ("-DV") system must be used. The "-SV" configuration (using an SV conversion kit) is prohibited.

- Disconnect power and turn ON dip switch 3 if combustion air will be supplied from the indoors as illustrated to the right. Refer to page 31 for the location of the dip switch bank.
- SV Conversion kit #SV-CK-3 is required for the air intake. The SV Conversion Kit #SV-CK-3 is contained within both the Horizontal Installation Kit (TWHHORKIT) and the Vertical Installation Kit (TWHVERTKIT).

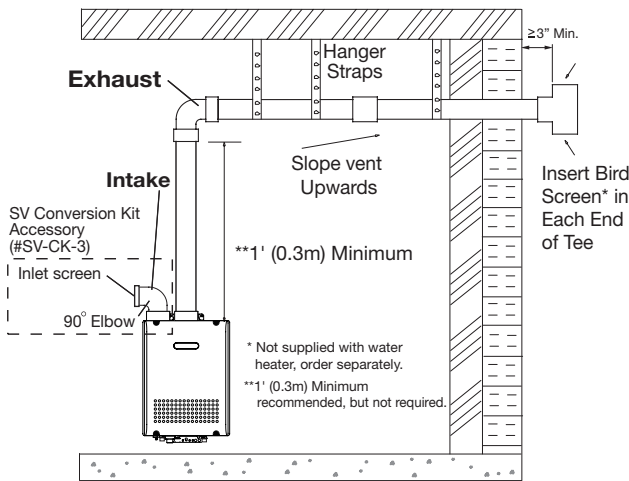
* Dip switch No.3 is turned on.



⚠ WARNING

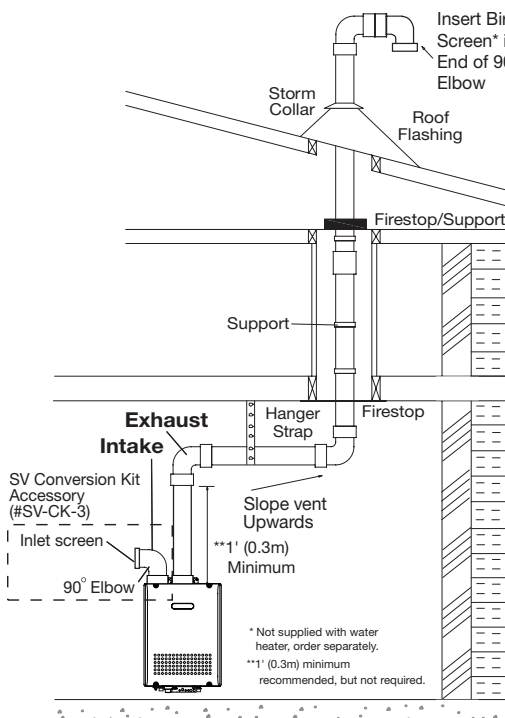
Failure to perform the above 2 steps could result in a fire or explosion causing property damage, personal injury or death. Refer to the instructions provided with the conversion kit for additional details.

Horizontal Vent Termination- PVC/CPVC Materials Only



- A tee, 90° elbow, or the TWHHORHOOD termination may be used for the vent termination. It is not necessary to use bird screens with the TWHHORHOOD termination.
- Terminate at least 12" (300mm) above grade or above snow line.
- Terminate at least 7' (2.1m) above a public walkway, 6' (1.8m) from the combustion air intake of any appliance, and 3' (0.9m) from any other building opening, gas utility meter, service regulator etc.
- Terminate at least 3' (0.9m) above any forced air inlet within 10' (3m) , 4' (1.2m) below, 4' (1.2m) horizontally from or 1' (0.3m) above any door, window, or gravity air inlet into any building per National Fuel Gas Code ANSI Z223.1/NFPA 54.
- Slope the horizontal vent 1/4" upwards for every 12" (300mm) toward the termination.
- Use a condensation drain if necessary.
- In the Commonwealth of Massachusetts a carbon monoxide detector is required for all side wall horizontally vented gas fuel equipment. Please refer to Technical Bulletin TB 010606 for full installation instructions.

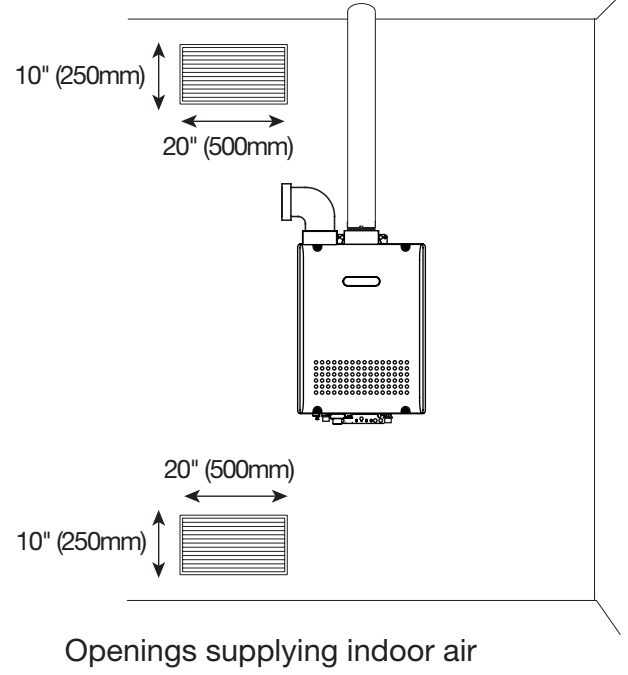
Vertical Vent Termination- PVC/CPVC Materials Only



- The TWHVERTCAP termination may be used in place of elbows as the vertical vent termination.
- Terminate at least 6' (1.8m) from the combustion air intake of any appliance, and 3' (0.9m) from any other building opening, gas utility meter, service regulator etc.
- Enclose exterior vent systems below the roof line to limit condensation and protect against mechanical failure.
- When the vent penetrates a floor or ceiling and is not running in a fire rated shaft, a firestop and support is required.
- When the vent termination is located not less than 8' (2.4m) from a vertical wall or similar obstruction, terminate above the roof at least 2' (0.6m), but not more than 6' (1.87m), in accordance with the National Fuel Gas Code ANSI Z223.1/NFPA 54.
- Provide vertical support every 3' (0.9m) or as required by the vent pipe manufacturer's instructions.
- A short horizontal section is recommended to prevent debris from falling into the water heater.
- When using a horizontal section, slope the horizontal vent 1/4" upwards for every 12" (300mm) toward the termination to drain condensate.

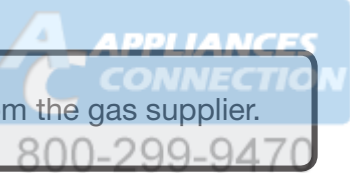
Combustion Air Supply combustion air to the units as per the National Fuel Gas Code, ANSI Z223.1.

- Provide two permanent openings to allow circulation of combustion air.
- Make each opening 199 square inches if they provide indoor air, and 100 square inches for outdoor air.
- If the unit is installed in a mechanical closet, provide a 24" (600mm) clearance in front of the unit to the door.
- If combustion air will be provided through a duct, size the duct to provide 60 cubic feet of fresh air per minute.



9. Gas Piping

Follow the instructions from the gas supplier.



CAUTION

The guidelines and examples we have provided in this manual section are for reference only. The sizing and installation of the gas system for this water heater, as with any gas appliance, is the sole responsibility of the installer. The installer must be professionally trained to do such work and must always follow all local and national codes and regulations. Gas line sizing calculations must be performed for every installation. Please contact Electrolux Home Products, Inc. at 1-888-360-8557 if you have any questions or concerns.

Gas Type

The gas type indicated on the water heater rating plate (NG or LP) must match the type of gas being supplied to the water heater.

Gas Conversions

If the gas type supplied does not match the gas type on the rating plate, obtain a replacement unit with the proper gas type. If a gas type conversion must be made, there are conversion kits available for some models. [The conversion kit shall be installed by an Electrolux authorized installer/servicer in accordance with the manufacturer's instructions and all applicable codes and requirements of the authority having jurisdiction. The Electrolux authorized installer/servicer is responsible for the proper installation of this kit. Improper installation of this kit will void the warranty.]

Meter

The gas meter must be sized properly for the water heater and other gas appliances to operate properly. Select a gas meter capable of supplying the entire btuh demand of all gas appliances in the building.

CAUTION

Regulators

Ensure that all gas regulators used are operating properly and providing gas pressures within the specified range of the water heater being installed. Excess gas inlet pressure may cause serious accidents.

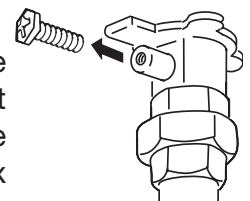
WARNING

Pressure

Check the gas supply pressure immediately upstream at a location provided by the gas company. Supplied gas pressure must be within the limits shown in the specifications section with all gas appliances operating. The inlet gas pressure must be within the range specified. This is for the purposes of input adjustment. Low gas pressure may cause a loss of flame or ignition failure at other appliances in the home, which may result in unburned gas in the home. Serious accidents such as fire or explosion may result.

Measuring Gas Pressure

In order to check the gas supply pressure to the unit, a tap is provided on the gas inlet. Remove the **9/32" hex head/Philips screw** from the tap, and connect a manometer using a silicon tube. Open up at least 2 fixtures and hold in the maximum manifold pressure button on the circuit board. Please call Electrolux Home Products, Inc. for details.



NOTE* When checking the supply pressure, make sure to have all other gas appliances turned on and running.


WARNING
Pressure Test

The appliance and its gas connections must be leak tested before placing the appliance in operation. The appliance must be isolated from the gas supply piping system by closing its individual manual shutoff valve during any pressure testing of the gas supply piping system at test pressures equal to or less than 1/2 psig (3.5 kPa). We do not recommend pressure testing in excess of 1/2 psig (3.5kPa). If it must be done, the appliance and its individual shutoff valve must be completely disconnected from the gas supply piping system during the test process.

Pipe Sizing/Flexible Connectors

A gas shutoff valve must be installed on the supply line. Gas flex lines are not recommended unless the minimum inside diameter is 3/4" or greater and the rated capacity of the connector is equal to or greater than the BTU capacity of the water heater. Gas piping shall be in accordance with local utility company requirements and/or in the absence of local codes, use the latest edition of National Fuel Gas Code (NFPA54GC), ANSI Z223.1. Size the gas line according to total btuh demand of the building and length from the meter or regulator so that the following supply pressures are available even at maximum demand.

Natural Gas Supply Pressure
Min 4" WC
Max 10.5" WC

LP Gas Supply Pressure
Min 8" WC
Max 14" WC

Reference Tools & Sample Calculations

CAUTION

The tables and samples below are for reference only. The professional sizing and installing the gas line should always run the appropriate calculations before all installations.

Which Table to Use

- For NG installations with the initial supply pressure at point of delivery (at the meter, for example) is less than 8" WC, use the 0.5" WC pressure drop table (Table 1).
- For NG installations with the initial supply pressure at point of delivery is greater than or equal to 8" WC, use the 3.0" pressure drop table (Table 2).
- For all LP installation use (Table 3)

The inlet pressure must be at least 5" WC for NG or 8" WC for LP for all appliances in the gas system. If the inlet gas pressure drops below 5" WC for NG or 8" WC for LP, the heater may continue to operate, but the other appliances in the house may experience flame loss or ignition failure, which can result in gas leakage into the home. Refer to the NFPA 54 for details.

Please contact Electrolux Home Products, Inc. for details. For corrugated stainless steel tubing (CSST) capacity tables, please consult with the manufacturer.

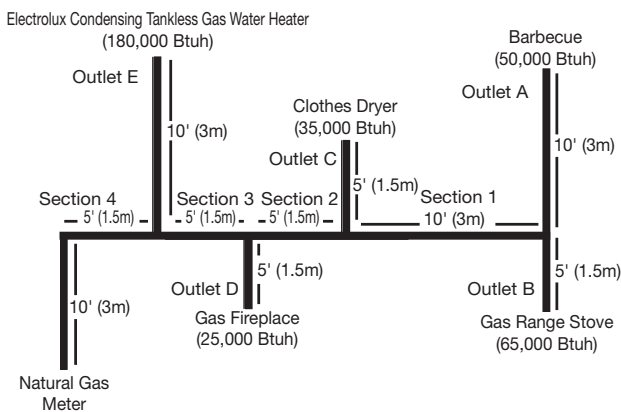
Table 1. For Less than 8" WC initial supply pressure

Maximum Natural Gas Delivery Capacity (0.5" Pressure Drop) [Schedule 40 Metallic Pipe]

Pipe Size	Length (including fittings)										
	10' (3m)	20' (6m)	30' (9m)	40' (12m)	50' (15m)	60' (18m)	70' (21m)	80' (24m)	90' (27m)	100' (30m)	125' (38m)
3/4"	360	247	199	170	151	137	126	117	110	104	92
1"	678	466	374	320	284	257	237	220	207	195	173
1 1/4"	1,390	957	768	657	583	528	486	452	424	400	355
1 1/2"	2,090	1,430	1,150	985	873	791	728	677	635	600	532
2"	4,020	2,760	2,220	1,900	1,680	1,520	1,400	1,300	1,220	1,160	1,020
2 1/2"	6,400	4,400	4,400	3,020	2,680	2,430	2,230	2,080	1,950	1,840	1,630
3"	11,300	7,780	7,780	5,350	4,740	4,290	3,950	3,760	3,450	3,260	2,890
4"	23,100	15,900	12,700	10,900	9,660	8,760	8,050	7,490	7,030	6,640	5,890

Values in Table are in Cubic Feet of Gas per Hour (0.60 Specific Gravity, 0.5" Pressure Drop, inlet pressure less than 2psi). Contact your gas supplier for BTU/Cubic Foot ratings. For simplification of your calculations, 1 Cubic Foot of Gas is approximately equivalent to 1000 BTU.

Sample Gas Line



Instructions

1. Size each outlet branch starting from the furthest using the Btuh required and the length from the meter.
2. Size each section of the main line using the length to the furthest outlet and the Btuh required by everything after that section.

Sample Calculation - (Using 0.5" WC Pressure Drop Table)

- Outlet A: 45' (13.5m) (Use 50' (15m)), 50,000 Btuh requires 1/2"
- Outlet B: 40' (12m), 65,000 Btuh requires 1/2"
- Section 1: 45' (13.5m) (Use 50' (15m)), 115,000 Btuh requires 3/4"
- Outlet C: 30' (9m), 35,000 Btuh requires 1/2"
- Section 2: 45' (13.5m) (Use 50' (15m)), 150,000 Btuh requires 3/4"
- Outlet D: 25' (7.5m) (Use 30' (9m)), 25,000 Btuh requires 1/2"
- Section 3: 45' (13.5m) (Use 50' (15m)), 175,000 Btuh requires 1"
- Outlet E: 25' (7.5m) (Use 30' (9m)), 180,000 Btuh requires 3/4"
- Section 4: 45' (13.5m) (Use 50' (15m)), 355,000 Btuh requires 1 1/4"

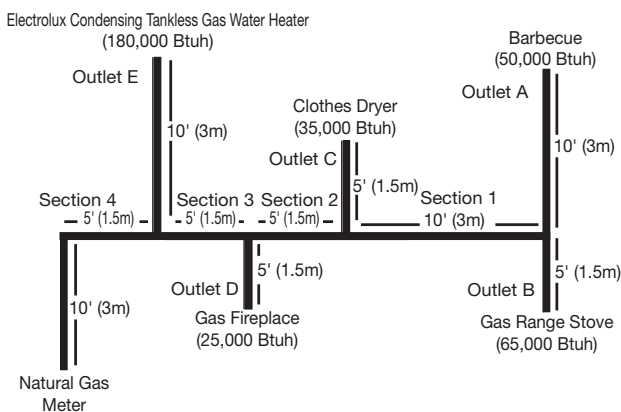
Table 2. For 8" WC – 10.5" WC initial supply pressure

Maximum Natural Gas Delivery Capacity (3.0" Pressure Drop) [Schedule 40 Metallic Pipe]

Pipe Size	Length (including fittings)										
	10' (3m)	20' (6m)	30' (9m)	40' (12m)	50' (15m)	60' (18m)	70' (21m)	80' (24m)	90' (27m)	100' (30m)	125' (38m)
1/2"	454	312	250	214	190	172	158	147	138	131	116
3/4"	949	652	524	448	397	360	331	308	289	273	242
1"	1,787	1,228	986	844	748	678	624	580	544	514	456
1 1/4"	3,669	2,522	2,025	1,733	1,536	1,392	1,280	1,191	1,118	1,056	936
1 1/2"	5,497	3,778	3,034	2,597	2,302	2,085	1,919	1,785	1,675	1,582	1,402
2"	10,588	7,277	5,844	5,001	4,433	4,016	3,695	3,437	3,225	3,046	2,700
2 1/2"	16,875	11,598	9,314	7,971	7,065	6,401	5,889	5,479	5,140	4,856	4,303
3"	29,832	20,503	16,465	14,092	12,489	11,316	10,411	9,865	9,087	8,584	7,608
4"	43,678	30,020	24,107	20,632	18,286	16,569	15,243	14,181	13,305	12,568	11,139

Values in Table are in Cubic Feet of Gas per Hour (0.60 Specific Gravity, 3.0" Pressure Drop, 8.0" WC or greater supply pressure, inlet pressure less than 2psi). Contact your gas supplier for BTU/Cubic Foot ratings. For simplification of your calculations, 1 Cubic Foot of Gas is approximately equivalent to 1000 BTU.

Sample Gas Line



Instructions

1. Size each outlet branch starting from the furthest using the Btuh required and the length from the meter.
2. Size each section of the main line using the length to the furthest outlet and the Btuh required by everything after that section.

Sample Calculation (Using 3.0" WC Pressure Drop Table)

- Outlet A: 45' (13.5m) (Use 50' (15m)), 50,000 Btuh requires 1/2"
- Outlet B: 40' (12m), 65,000 Btuh requires 1/2"
- Section 1: 45' (13.5m) (Use 50' (15m)), 115,000 Btuh requires 1/2"
- Outlet C: 30' (9m), 35,000 Btuh requires 1/2"
- Section 2: 45' (13.5m) (Use 50' (15m)), 150,000 Btuh requires 1/2"
- Outlet D: 25' (7.5m) (Use 30' (9m)), 25,000 Btuh requires 1/2"
- Section 3: 45' (13.5m) (Use 50' (15m)), 175,000 Btuh requires 1/2"
- Outlet E: 25' (7.5m) (Use 30' (9m)), 180,000 Btuh requires 1/2"
- Section 4: 45' (13.5m) (Use 50' (15m)), 355,000 Btuh requires 3/4"

Table 3. Maximum Undiluted Propane (LP) Delivery Capacity in Thousands of BtuH (0.5" WC Pressure Drop) [Schedule 40 Metallic Pipe]

Pipe Size	Length (including fittings)												
	10' (3m)	20' (6m)	30' (9m)	40' (12m)	50' (15m)	60' (18m)	70' (21m)	80' (24m)	90' (27m)	100' (30m)	125' (38m)	150' (45m)	200' (60m)
1/2"	275	189	152	129	114	103	96	89	83	78	69	63	55
3/4"	567	393	315	267	237	217	196	185	173	162	146	132	112
1"	1,071	732	590	504	448	409	378	346	322	307	275	252	213
1 1/4"	2,205	1,496	1,212	1,039	913	834	771	724	677	630	567	511	440
1 1/2"	3,307	2,299	1,858	1,559	1,417	1,275	1,181	1,086	1,023	976	866	787	675
2"	6,221	4,331	3,465	2,992	2,646	2,394	2,205	2,047	1,921	1,811	1,606	1,496	1,260

For reference only. Please consult gas pipe manufacturer for actual pipe capacities.



Final Check

When the installation is complete, verify that inlet gas pressure for the entire gas system does not drop below 5" WC for NG or 8" WC for LP at all appliances. This can be tested by turning on all gas burning appliances including the water heater, then check the inlet pressure at each appliance to verify all appliances are receiving a minimum of 5" WC for NG or 8" WC for LP. If all appliances are not receiving the minimum inlet pressure the gas piping system may need to be changed.

10. Water Piping

Installation and service must be performed by a qualified plumber. In the Commonwealth of Massachusetts, this product must be installed by a licensed plumber or gas fitter in accordance with the Massachusetts Plumbing and Fuel Gas Code 248 CMR Sections 2.00 and 5.00. Observe all applicable codes.

This appliance is suitable for combination potable water and space heating applications. It cannot be used for space heating applications only. Do not use this appliance if any part has been underwater. Immediately call a qualified service technician to inspect the appliance and replace any part of the control system and gas control which has been under water.

If the water heater is installed in a closed water supply system, such as one having a backflow preventer in the cold water supply line, means shall be provided to control thermal expansion. Contact the water supplier or a local plumbing inspector on how to control this situation.

A pressure relief valve must be installed near the hot water outlet that is rated in accordance with and complying with either The Standard for Relief Valves and Automatic Shutoff Devices for Hot Water Supply Systems, ANSI Z21.22, or The ANSI/ASME Boiler and Pressure Vessel Code, Section IV (Heating Boilers). This pressure relief valve must be capable of an hourly Btu rated temperature steam discharge of 180,000 Btuh. Multiple valves may be used. The pressure relief capacity must not exceed 150 psig. No valve shall be placed between the relief valve and the water heater. The relief valve must be installed such that the discharge will be conducted to a suitable place for disposal when relief occurs. No reducing coupling or other restriction may be installed in the discharge line. The discharge line must be installed to allow complete drainage of both the valve and the line. If this unit is installed with a separate storage vessel, the separate vessel must have its own temperature and pressure relief valve. This valve must also comply with The Standard for Relief Valves and Automatic Gas Shutoff Devices for Hot Water Supply Systems, ANSI Z21.22. (in the U.S. only). A temperature relief valve is not required, but if one is used, do not install the valve with the probe directly in the flow of water. This may cause unwarranted discharge of the valve.

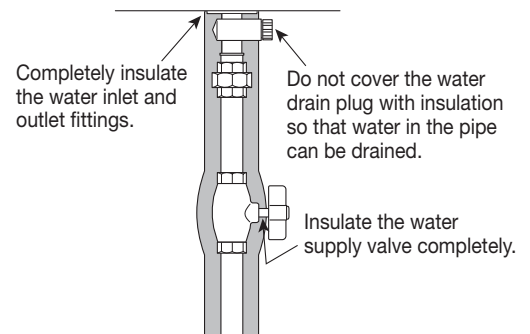
Piping and components connected to the water heater shall be suitable for use with potable water.

Toxic chemicals, such as those used for boiler treatment, shall not be introduced into the potable water.

A water heater used to supply potable water may not be connected to any heating system or components previously used with a nonpotable water heating appliance.

When water is required in one part of the system at a higher temperature than in the rest of the system, means such as a mixing valve shall be installed to temper the water to reduce the scald hazard.

- Flush water through the pipe to clean out metal powder, sand and dirt before connecting it.
- Perform the following insulation measures for prevention of freezing.
 - Take appropriate heat insulation measures (e.g., wrapping with heat insulation materials, using electric heaters) according to the climate of the region to prevent the pipe from freezing.
 - Make sure that there are no water leaks from the cold and hot water supply pipes, then insulate the pipes completely.
 - Be sure to also completely insulate the water supply valve and the cold and hot water connections on the water heater (refer to the figure on the right).
 - Do not cover the water drain plug with insulation so that water in the pipe can be drained. (Refer to the figure in the right.)
- Use a union coupling or flexible pipe for connecting the pipes to reduce the force applied to the piping.
- Do not use piping with a diameter smaller than the coupling.
- When feed water pressure is too high, insert a depressurizing valve, or take water hammer prevention measure.
- Avoid using joints as much as possible to keep the piping simple.
- Avoid piping in which an air holdup can occur.
- If installing the unit on a roof:
 - If the unit is installed on a roof to supply water to the levels below, make sure that the water pressure supplied to the unit does not drop below 29 psi. It may be necessary to install a pump system to ensure that the water pressure is maintained at this level.
 - Check the pressure before putting the unit into operation.
 - Failure to supply the proper pressure to the unit may result in noisy operation, shorter lifetime of the unit, and may cause the unit to shut down frequently.



Supply water piping

- Do not use PVC, iron, or any piping which has been treated with chromates, boiler seal or other chemicals.
- Mount a check valve and a shut off valve (near the inlet).
- In order for the client to use the water heater comfortably, 98.1 to 491 kPa (14 to 70 PSI) of pressure is needed from the water supply. Be sure to check the water pressure. If the water pressure is low, the water heater cannot perform to its full capability, and may become a source of trouble for the client.

Drain piping

- Expansion water may drop from the pressure relief valve and wet the floor. If necessary, provide drain piping or use a drain hose to remove the water.

Hot water piping

- Do not use lead, PVC, iron or any piping which has been treated with chromates, boiler seal or other chemicals.
- The longer the piping, the greater the heat loss. Try to make the piping as short as possible.
- Use mixing valves with low water resistance. Use shower heads with low pressure loss.
- If necessary, use a pump or other means to ensure that the supply water pressure to the inlet of the heater does not fall below 29 PSI when the maximum amount of water is being demanded. Also install a pressure meter on the inlet. If this is not done, local boiling will occur inside the water heater causing abnormal sounds and decreasing the durability of the heat exchanger.

Freeze Prevention

- Freezing is prevented within the device automatically unless the outside temperature without wind is below -30°F (-35°C).
 - * When combustion air is supplied from the indoors, the room temperature must be greater than 32°F (0°C) to prevent freezing and the room inside must not have negative pressure.
- If this model is installed in an area where the outside temperature can approach freezing conditions of -30°F (-35°C) or below, then additional freeze protection measures must be used. For temporary freeze protection measures, refer to the Use and Care Manual.
- The freeze prevention heaters will not prevent the plumbing external to the unit from freezing. Protect this plumbing with insulation, heat tape or electric heaters, solenoids, or pipe covers.
- In order for the freeze prevention heaters to operate, the water heater must have power at all times.

Water Treatment

If this water heater will be installed in an application where the supply water is hard, the water must be treated with a water softener or scale inhibitor. Refer to the below tables for suggested treatment and maintenance measures to be taken based on the water hardness level. Damage to the water heater as a result of water in excess of 12 gpg (200 mg/L) of hardness is not covered by the Electrolux Home Products, Inc. Warranty.

Note: Water softeners may be regulated by the local water jurisdiction, consult with the manufacturer for code, sizing, and installation guidelines; the below diagram is for reference only.

Residential Use Treatment Guidelines

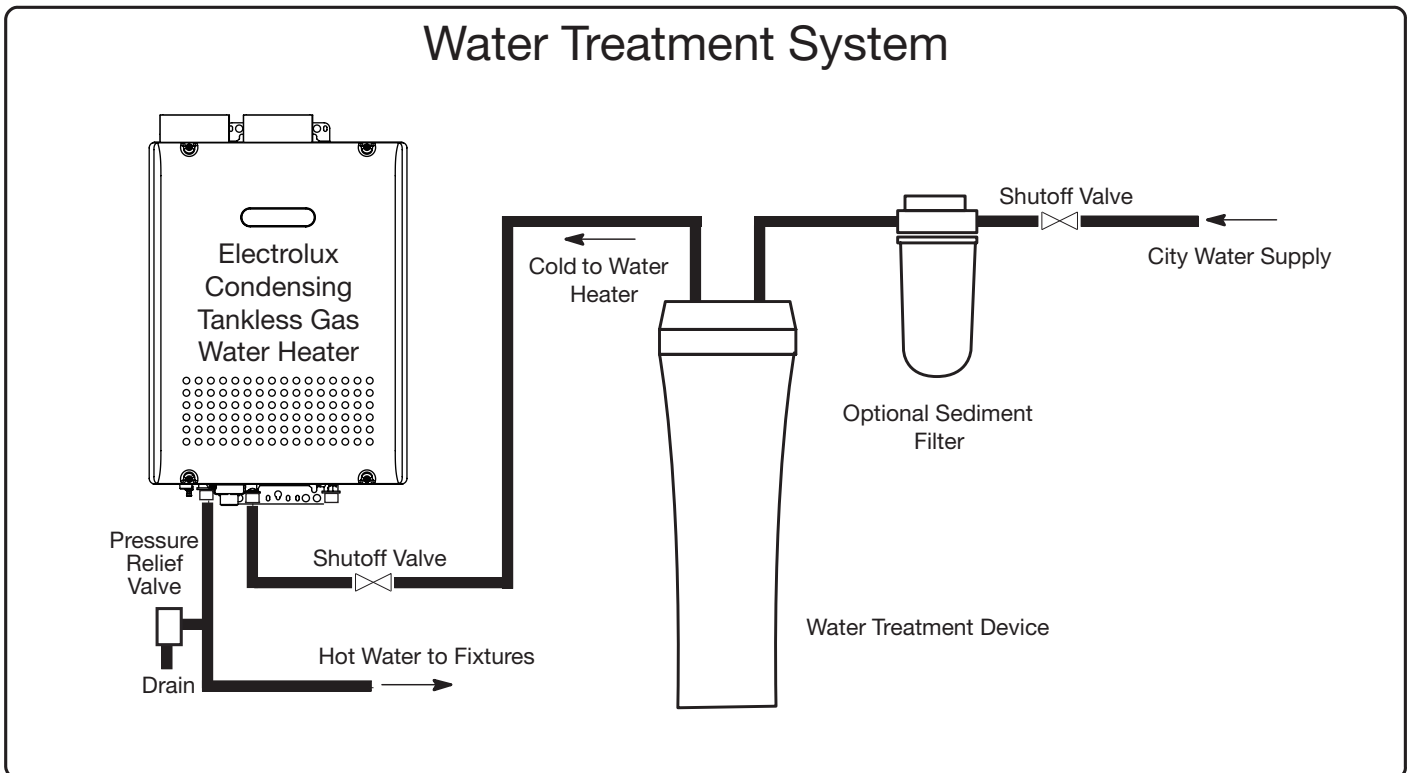
Type of Water	Hardness Level	Treatment Device	Flush Frequency*
Soft	0-1 gpg (0-17 mg/L)	None	None
Slightly Hard	1-3 gpg (17-51 mg/L)	None	None
Moderately Hard	3-7 gpg (51-120 mg/L)	Water Softener Scale Inhibitor	Once a Year**
Hard	7-10 gpg (120-171 mg/L)	Water Softener Scale Inhibitor	Once a Year**
Very Hard	10-14 gpg (171-239 mg/L)	Water Softener Scale Inhibitor	Treatment Required
Extremely Hard	> 14 gpg (> 239 mg/L)	Water Softener Scale Inhibitor	Treatment Required

Commercial Use Treatment Guidelines

Type of Water	Hardness Level	Treatment Device	Flush Frequency*
Soft	0-1 gpg (0-17 mg/L)	None	None
Slightly Hard	1-3 gpg (17-51 mg/L)	None	None
Moderately Hard	3-7 gpg (51-120 mg/L)	Water Softener Scale Inhibitor	Once a Year **
Hard	7-10 gpg (120-171 mg/L)	Water Softener Scale Inhibitor	Twice a Year **
Very Hard	10-14 gpg (171-239 mg/L)	Water Softener Scale Inhibitor	Treatment Required
Extremely Hard	> 14 gpg (> 239 mg/L)	Water Softener Scale Inhibitor	Treatment Required

* Install Isolation Valves to allow for flushing.
 ** Flushing is required if a water treatment device is not installed.

* Install Isolation Valves to allow for flushing.
 ** Flushing is required if a water treatment device is not installed.

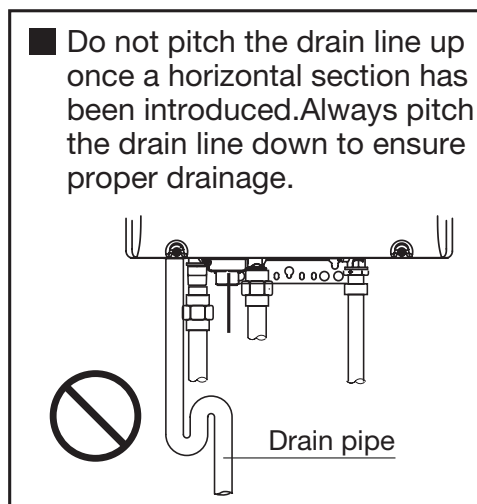
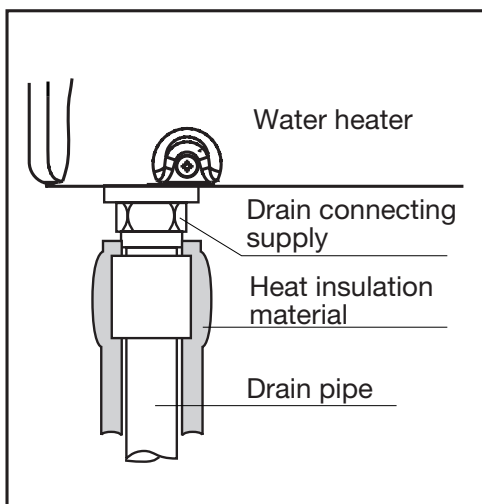


11. Condensate Piping

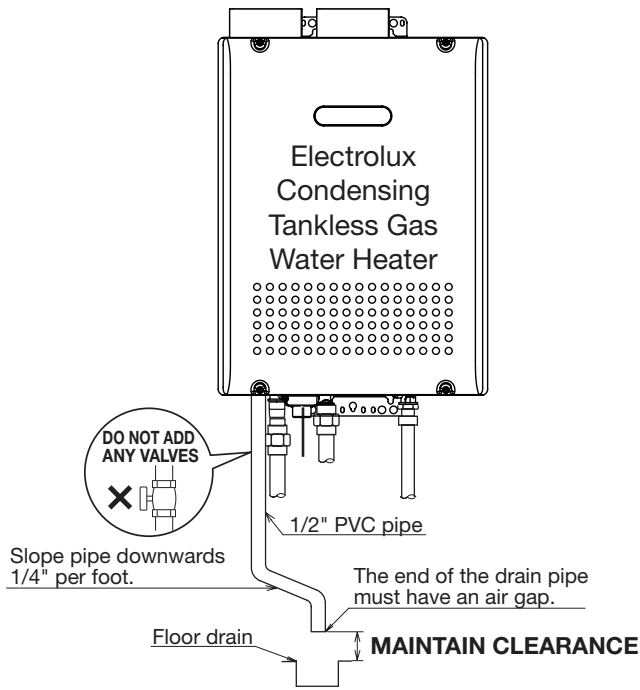
⚠ CAUTION

Due to the acidic nature of the condensate, be sure to properly drain and if necessary, treat the condensate prior to disposal. Damage caused by improperly handled condensate is not covered by the warranty.

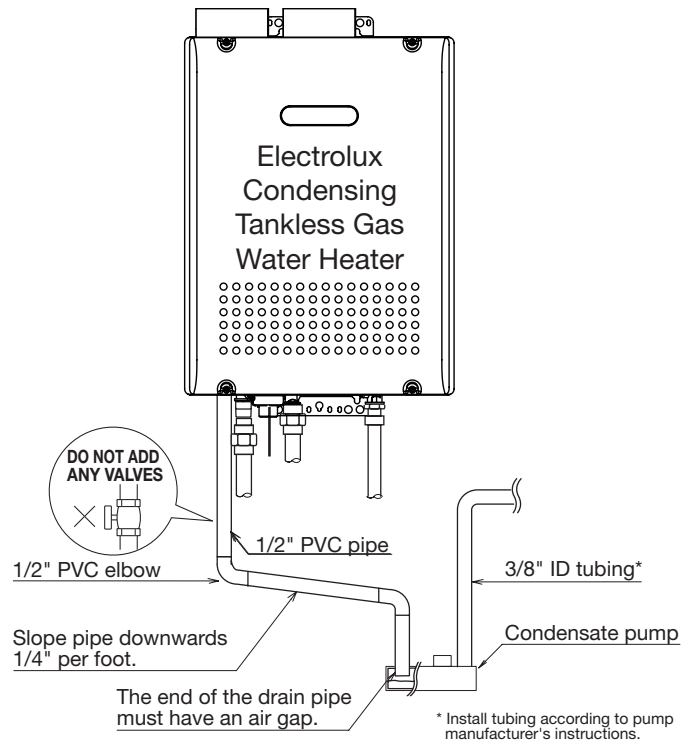
- This water heater is a high efficiency, fully condensing appliance which produces acidic condensate during operation. The water heater incorporates a collection and removal system which must be properly drained in order to ensure proper operation of this appliance.
- The pH level of the condensate is approximately 2-3. An external neutralizer must be installed on the drain piping prior to disposal when required by local code or when the condensate could cause damage.
- If an external neutralizer is installed, periodic replacement of the neutralizing agent will be required. Refer to the instructions supplied with the neutralizer for suggested replacement intervals.
- In order to drain the condensate, a 1/2" threaded fitting is provided at the base of the water heater. Do not reduce the size of this fitting or the drain piping to less than 1/2". In cold climates, do not drain the condensate to the outdoors. If the drain pipe freezes during cold weather, the pipe will not drain condensate and the unit will stop operating.
- Use plastic pipe, such as PVC, for the drain line. Do not use steel, black iron, or any other material which can corrode when placed into contact with acidic condensate.
- Keep the length of the drain pipe as short as possible. Long runs or applications where the nearest drain is above the water heater will require the use of a condensate pump. Size the pump to allow for a maximum condensate discharge of 2 GPH from the water heater.
- Horizontal runs must be sloped 1/4" per foot towards the drain or condensate pump. The condensate will be discharged by gravity force only. Make the drain pipe run as short as possible.
- The end of the drain pipe must not be submerged in water or blocked in any way. To ensure proper drainage, leave the end of the drain pipe open to the atmosphere. Do not have a trap. Also, make sure that there are no obstructions blocking the drain line from discharging condensate.
- Be sure to check that condensate is freely flowing from the drain piping after the system has been installed. Condensate will begin flowing out of the water heater within 15 minutes after operation has started.
- Take measures to prevent the condensate drain lines from freezing (insulation, heat tape, electric heaters, etc.).



Condensate piping to floor drain



Condensate piping with pump

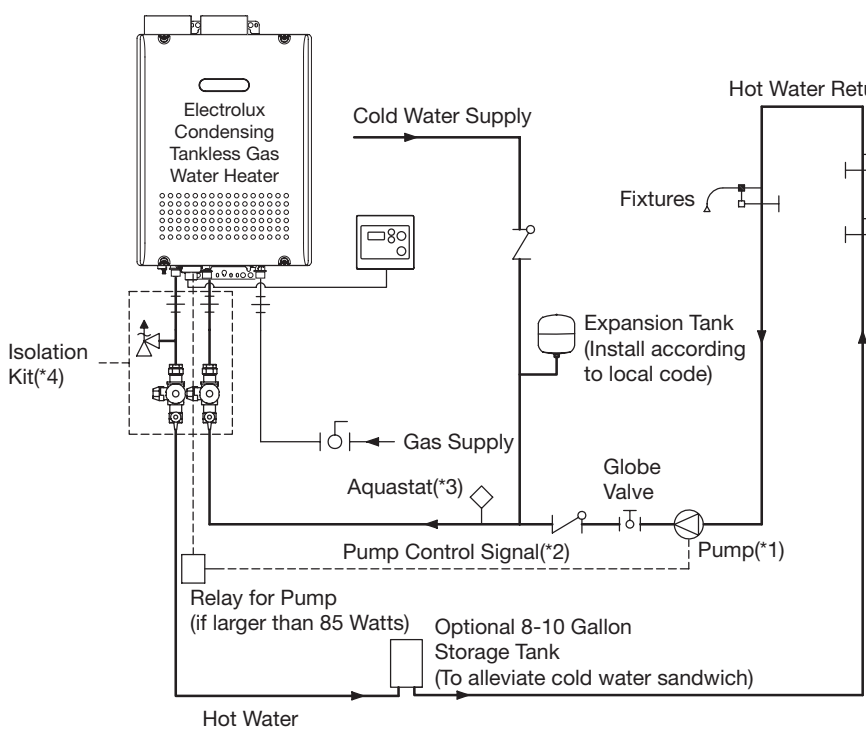


Note:

If the drain line becomes clogged or frozen, condensate will back-up into the water heater and a "29" error code will flash on the remote controller, ceasing operation. If this occurs, clear the clog or freeze so that condensate can freely flow. Be sure to slope the drain pipe, use the appropriate size pipe, allow the proper clearances, and apply freeze prevention measures (when necessary) to prevent the drain line from clogging or freezing.

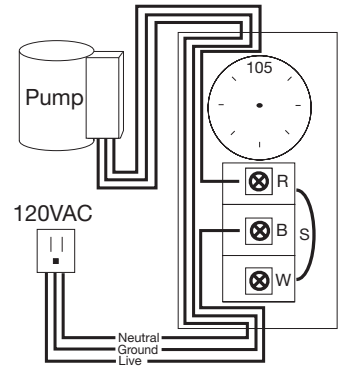
12. Plumbing Applications

Recirculation System



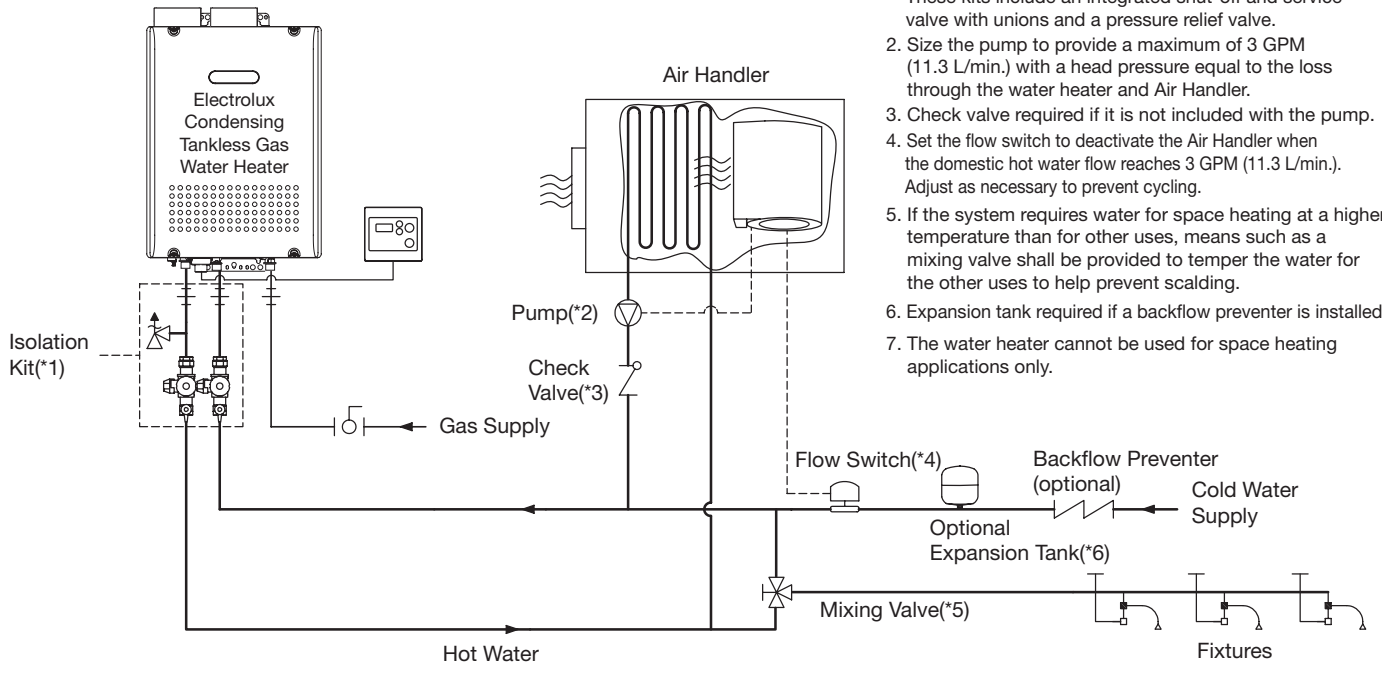
Notes:

1. Size the pump to provide a maximum of 2 GPM (7.5 L/min.) through the system at 10 ft (3m) of head plus piping losses. Adjust the flow using a globe valve and verify the flow rate with the maintenance monitors.
2. Pump Control Signal is the preferred method to control the recirculation pump. For pumps larger than 85W, a relay connection must be used. If the Pump Control Signal is not used, an Aquastat may be used to control the pump.
3. Use an Aquastat if the water heater is not controlling the pump. Set the Aquastat to 10°F (5°C) below the set output temperature.
4. Electrolux recommends the use of an Isolation Kit with the installation. These kits include an integrated shut-off and service valve with unions and a pressure relief valve.



Aquastat Wiring
Use Honeywell Aquastat (Model L6006A or L6006C)

Combination Potable Water and Space Heating System



Notes:

1. Electrolux recommends the use of an Isolation Kit with the installation. These kits include an integrated shut-off and service valve with unions and a pressure relief valve.
2. Size the pump to provide a maximum of 3 GPM (11.3 L/min.) with a head pressure equal to the loss through the water heater and Air Handler.
3. Check valve required if it is not included with the pump.
4. Set the flow switch to deactivate the Air Handler when the domestic hot water flow reaches 3 GPM (11.3 L/min.). Adjust as necessary to prevent cycling.
5. If the system requires water for space heating at a higher temperature than for other uses, means such as a mixing valve shall be provided to temper the water for the other uses to help prevent scalding.
6. Expansion tank required if a backflow preventer is installed.
7. The water heater cannot be used for space heating applications only.

13. Electrical Wiring

Consult a qualified electrician for the electrical work.



Disconnect Power

Do not connect electrical power to the unit until all electrical wiring has been completed.

This appliance must be electrically grounded in accordance with local codes, or in the absence of local codes, with the National Electrical Code, ANSI/NFPA 70.

Caution: Label all wires prior to disconnection when servicing controls. Wiring errors can cause improper and dangerous operation.

Verify proper operation after servicing.

Field wiring to be performed at time of appliance installation.

WARNING

Electrical Shock Hazard

Do not turn power on until electrical wiring is finished. Disconnect power before servicing. Failure to do so may result in death or serious injury from electrical shock.

- The electrical supply required by the water heater is 120VAC at 60 Hz. The power consumption may be up to 291W or higher if using optional accessories. Use an appropriate circuit.
- Do not disconnect the power supply when not in use. When the power is off, the freeze prevention in the water heater will not activate, resulting in possible freezing damage.

- Do not let the power cord contact the gas piping.

Tie the redundant power cord outside the water heater. Putting the redundant length of cord inside the water heater may cause electrical interference and faulty operation.

Ground

- To prevent electrical shock, provide a ground with resistance less than 100Ω . An electrician should do this work.

Do not connect the ground to the city water or gas piping. Do not tie the ground to a telephone line.

Breaker Installation

- Mount a device which shuts off the electrical path automatically (leakage breaker) when electrical leakage is detected.

CAUTION

Electrostatic discharge can affect electronic components. Take precautions to prevent electrostatic discharges from personnel or hand tools during the water heater installation and servicing to protect product's electronic control.

Remote Controller

* Remarks [125 °F / 55 °C]
 ↑ Celsius display mode
 ↑ Fahrenheit display mode

Install the remote controller according to the instructions in the Installation Guide (page 38).

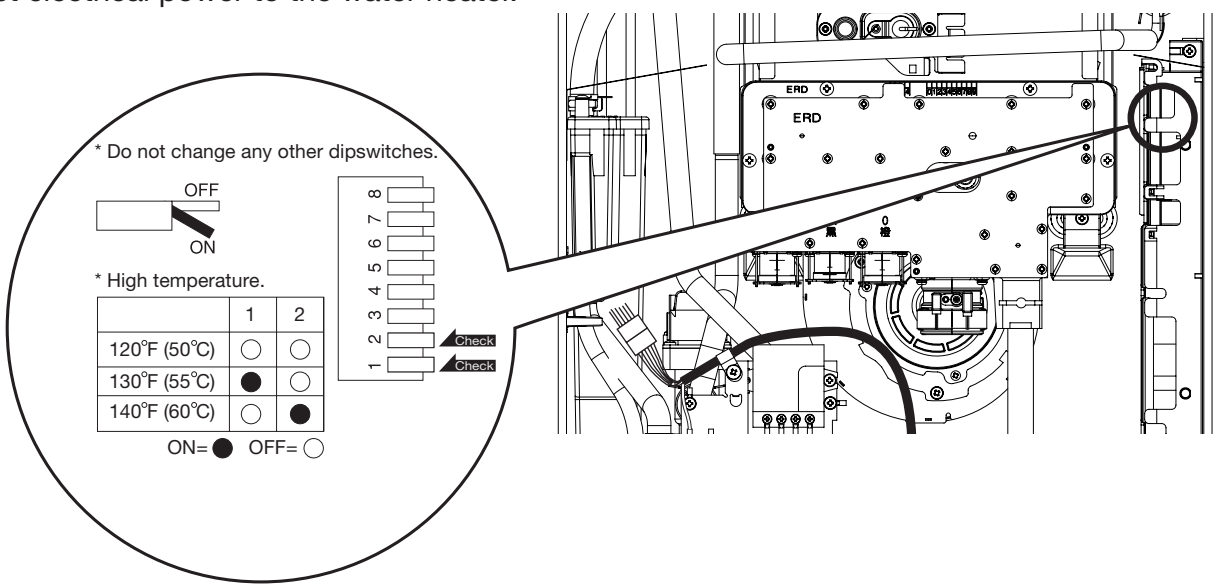
- * Only one remote controller can be connected to the water heater. A malfunction may occur if two or more remote controllers are connected.
- * The water heater has been factory set to allow a maximum temperature setting of [120 °F / 50 °C]. To access higher temperature settings through the remote controller, follow the below steps.

<When setting the maximum temperature to [125 -140 °F / 55 - 60 °C]>

1. Turn the water heater off by pressing the Power On/Off Button on the remote controller.
2. Press and hold the FLOW METER ALARM SET Button until a sound is heard (2 sec.) and [120 °F / 50 °C] appears on the display.
3. Set the upper limit of the hot-water supply temperature to [125 °F, 130 °F, 135 °F or 140 °F / 55 °C or 60 °C] using the UP and DOWN setting Buttons.
4. To put the water heater back into operation, press the Power On/Off Button on the remote controller. To keep the water heater off, let the unit sit for 30 sec. to return to the original display.

- This unit can be programmed so that it will default to one of three temperatures if the remote controller is removed [140 °F (60 °C), 130 °F (55 °C), 120 °F (50 °C)]. To change the default temperature, adjust the dip switches as described below. The default temperature is 120 °F (50 °C).

1. Disconnect electrical power to the water heater.
2. Remove the front cover of the water heater (4 screws).
3. Disconnect the remote controller. Adjust the dip switches as illustrated below.
4. Replace the front cover of the water heater (4 screws).
5. Reconnect electrical power to the water heater.



DANGER

- When changing the temperature, make sure to confirm with the customer that the temperature of the hot water will be very high and that there is a risk of scalding.
- Hot water heater temperatures over 125 °F (52 °C) can cause severe burns instantly or death from scalding.

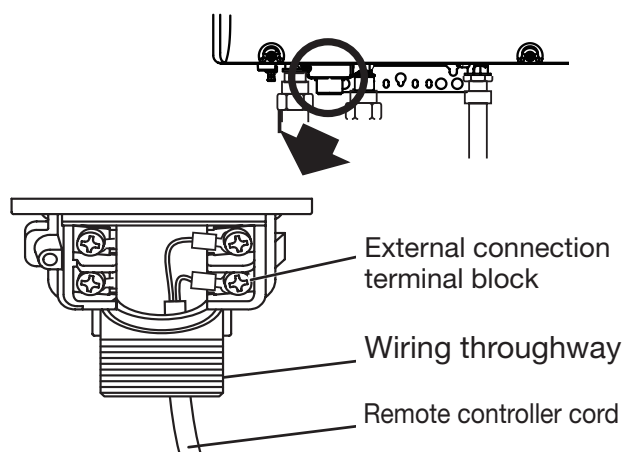
Connecting Remote Controller Cord to Unit

- Keep the remote controller cord away from the freeze prevention heaters in the unit.
- Tie the redundant cord outside the water heater. Do not put the extra length inside the equipment.
- The remote controller cord can be extended up to 300' (90m) with 18AWG wire.
- Use a Y type terminal with a resin sleeve. (Without the sleeve, the copper wire may corrode and cause problems).
- Be sure to hand tighten when screwing to the terminal block. Power tools may cause damage to the terminal block.

Remote controller cord

- For extensions, use 18AWG wire.
- Install according to the National Electrical Code and all applicable local codes.

1. Check to make sure that the remote controller cord has plenty of slack in order to reach the external connection terminal block.
2. Disconnect electrical power to the water heater.
3. Remove the single screw securing the terminal block cover and then remove the cover.
4. Pass the remote controller cord through the wiring throughway and connect the Y terminals at the end of the remote controller cord to the terminal block.
5. Replace the terminal block cover and install the screw previously removed in step 3.
6. Reconnect electrical power to the water heater.



Changing Other Features

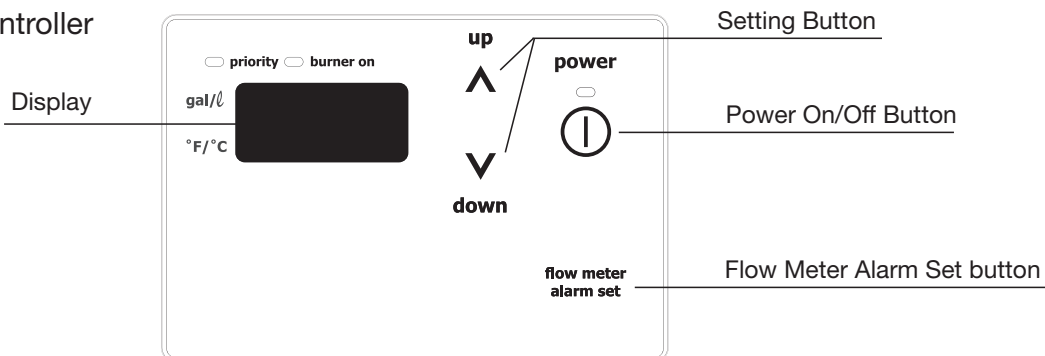
Adjusting the Temperature Display

Note: The setting must be done within the first 10 minutes of connecting electrical power to the water heater.

Table of Setting Items

Item No.	Item	Choices (factory defaults shaded)	
12	Celsius/Fahrenheit display mode.	°F (Fahrenheit)	°C (Celsius)

Remote Controller



Setting Procedure

1. Turn the water heater off by pressing the Power On/Off Button on the remote controller.
2. Disconnect, then reconnect electrical power to the water heater.
3. Press the Flow Meter Alarm Set Button and hold it in for 2 seconds or more.
4. Press the Flow Meter Alarm Set Button until the remote controller displays item number "12".
5. Press Setting Button "▲" for 5 seconds or more to change the display units to °F.
6. Press Setting Button "▼" for 5 seconds or more to change the display units to °C.
7. To confirm the setting, turn the water heater on by pressing the Power On/Off Button on the remote controller.

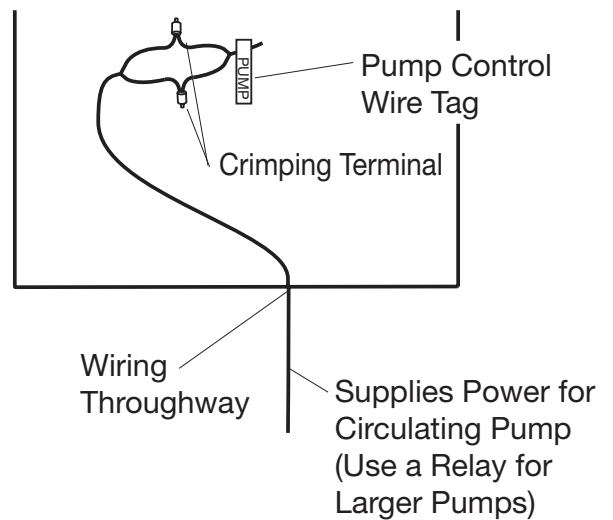
Pump Wiring

* This feature is not available when using the Quick Connect Multi System feature.

800-299-9470

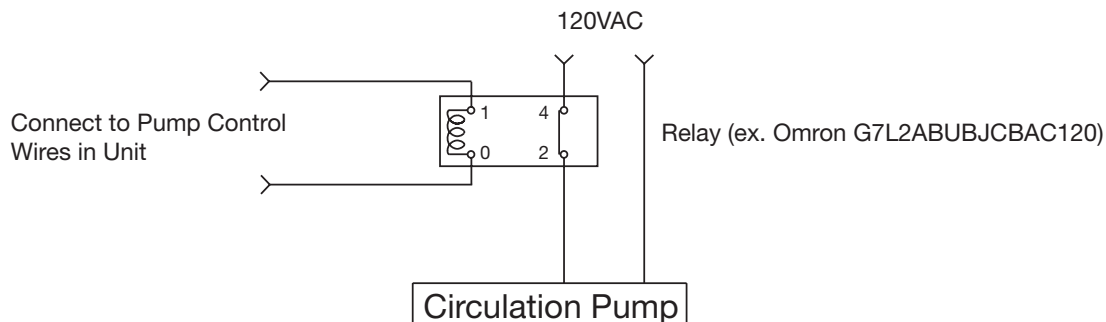
Connecting the pump control wire

1. Leave enough slack so that the pump control wires will stay connected if the unit is removed from the wall.
2. Remove the front cover of the heater (4 screws).
3. Cut off the connector at the end of the pump control wires.
4. Wire the pump control wires through the wiring throughway and connect them to the wiring inside the pump (this will be the power supply for the pump, do not also connect 120VAC to the pump).
If a large pump is being used (greater than 85W) use the voltage from these wires as the signal to close a normally open relay through which 120VAC will be supplied directly from a wall circuit to the pump.
5. Replace the front cover.



Relay connection with larger pumps (>85 W)

1. Locate and prepare the pump control wires as described above.
2. Choose a suitable installation location for the relay where it will be protected from moisture.
3. Connect the pump control wires from the heater to the signal input on the relay.
4. Cut one of the electrical supply leads and wire it across the open terminals of the relay.
5. Secure all connections and replace the front cover of the heater.



Connecting Quick Connect Cord-2

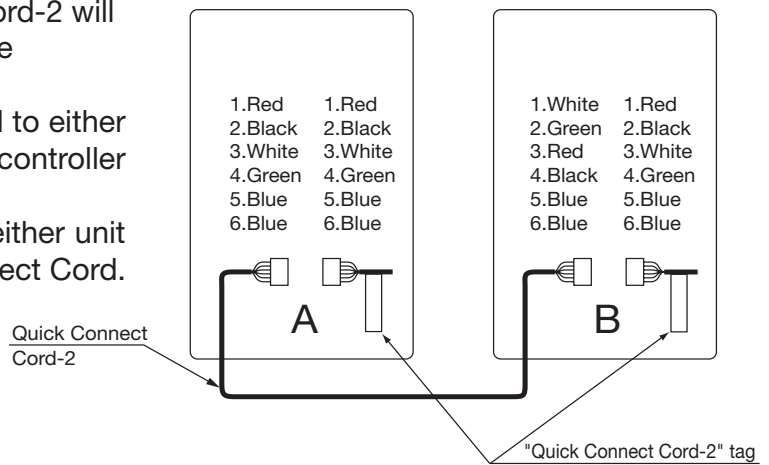
For Quick Connect Multi System Installation
use part TWHQCCORD only. (Sold Separately)

800-299-9470

Caution

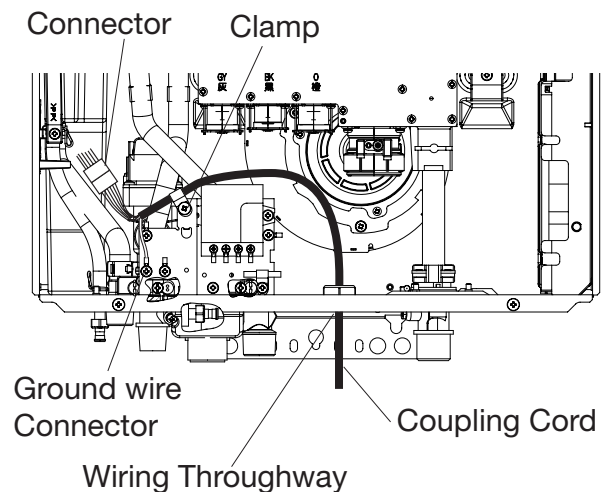
The wire coloring on the Quick Connect Cord-2 will not be the same as the wire coloring of the connection plug inside the unit.

- * The remote controller can be connected to either unit A or B. Do not connect a remote controller to both units.
- * Disconnect the remote controller from either unit A or B prior to installing the Quick Connect Cord.



Connecting the Quick Connect Cord to the two units.

1. Turn off the power.
2. Remove the front cover of the heater (4 screws).
3. Pass the Quick Connect Cord through the wiring throughway and into the unit.
4. Plug the connector on the Quick Connect Cord to the receptacle inside the unit.
5. Attach the ground wire of the Quick Connect Cord to the terminal block fixing plate.
(If the ground wire is not attached, electrical noise may cause problems).
6. Secure the Quick Connect Cord with a clamp.
7. Replace the front cover.



14. Maintenance

Periodically check the following to ensure proper operation of the water heater.

- The venting system must be examined periodically by a qualified service technician to check for any leaks or corrosion.
- The burner flame must be checked periodically for a proper blue color and consistency.
- If the flame does not appear normal, the burner may need to be cleaned.
- If the burner needs to be cleaned, it must be performed by a qualified service technician.
- Do not obstruct the flow of combustion and ventilation air.
- The pressure relief valve must be operated once a year to ensure that it is functioning properly and there is no obstruction. Turn the power off to the unit before opening the relief valve, and make sure that water draining out of the valve will not cause any damage.
- If the relief valve discharges periodically, it may be due to thermal expansion in a closed water system. Contact the water supplier or a local plumbing inspector on how to correct this situation. Do not plug the relief valve.
- See Use and Care Manual for further maintenance.

Warning: There is a scald potential if the output temperature is set too high.

Should overheating occur, or the gas supply fail to shut off, turn off the manual gas control valve to the appliance. Do not use this appliance if any part has been under water. Immediately call a qualified service technician to inspect the appliance and to replace any part of the control system and any gas control which has been under water.

Periodically check and clean the filter inside the cold water inlet of the unit.

15. Trial Operation

The installer should test operate the unit, explain to the customer how to use the unit, and give the owner this manual before leaving the installation.

- Preparation (1) Open a hot water fixture to confirm that water is available, and then close the fixture.
 - (2) Open the gas supply valve.
 - (3) Turn on the power supply. Using the remote controller, turn on the Power On/Off button (the Operation lamp will turn on).

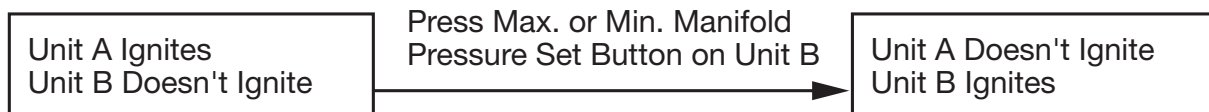
- (1) Open a hot water fixture and confirm that the Burner On lamp comes on, and that hot water is being produced. (If necessary, repeat until the air in the gas piping is bled out).
 - * White smoke may be noticed from the exhaust vent during cold weather. However, this is not a malfunction of the unit.
 - * If an "11" error code appears on the remote controller, turn the unit off and then back on again, and then open a hot water fixture again.
- (2) Change the temperature setting on the remote controller and check that the water temperature changes.

- If the water heater does not operate normally, refer to "Troubleshooting" in the Use and Care Manual.
- * After the trial operation, clean the filter in the cold water inlet.

<If installed with a quick connect multi-system>

- Turn the system power ON with the remote controller.
- Slowly open a hot water fixture and check that the units ignite sequentially. Check to see that the hot water temperature is the same as the temperature displayed on the remote controller. (*1)

* If both units do not ignite, switch which unit will ignite first by pressing the Max. or Min. Manifold Pressure Set Button on the circuit board. (*2)



* If an 11 or F11 error code flashes on the remote controller, hit the Power Button on the remote controller off and on 2 -3 times.

* If (*1) and (*2) cannot be done, the Quick Connect Cord may not be properly connected. Check that the cord is properly connected.


CAUTION
Handling after trial operation

- If the unit will not be used immediately, close off all gas and water shutoff valves, drain all of the water out of the unit and the plumbing system to prevent the unit and system from freezing, and bleed the gas out of the gas line.
Freezing is not covered by the warranty.


WARNING

A fire or explosion may result if these instructions are not followed, which may cause loss of life, personal injury or property damage.

Lighting Instructions

This water heater does not have a pilot. It is equipped with an ignition device that automatically lights the burner.

Do not try to light the burner by hand.

1. Read the safety information in the installation manual or on the front of the water heater.
2. Turn off all electrical power to the unit.
3. Do not attempt to light the burner by hand.
4. Turn the gas control manual valve (external to the unit) clockwise to the off position.
5. Wait five minutes to clear out any gas. If the smell of gas remains, stop, and follow the instructions on page 3 of Use and Care Manual.
6. Turn the gas control manual valve counterclockwise to the on position.
7. Turn on electric power to the unit.
8. The unit will now operate whenever hot water is called for. If the unit will not operate, follow the shutdown instructions and call a service technician.

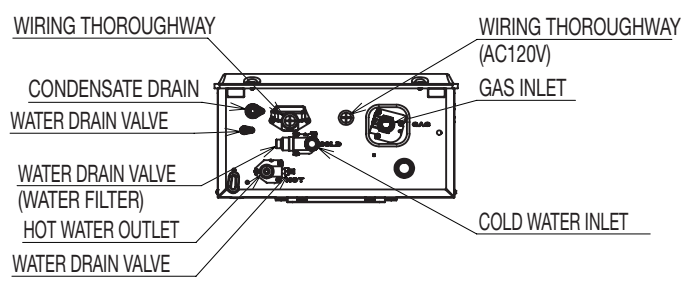
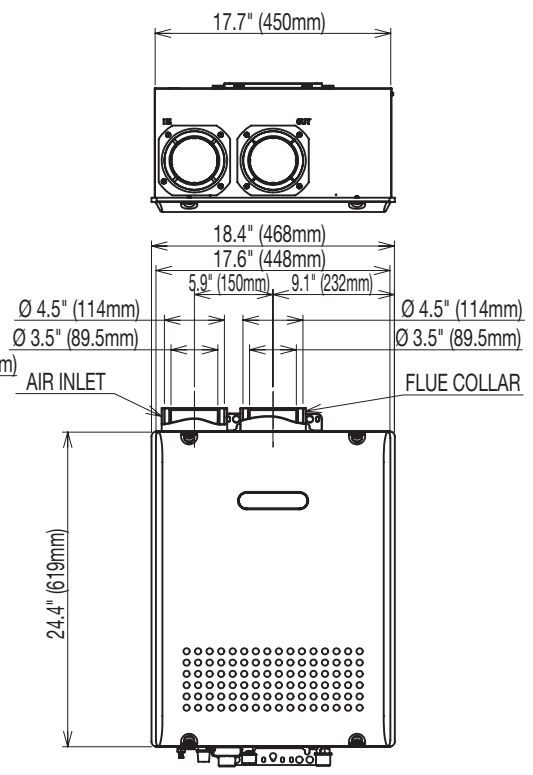
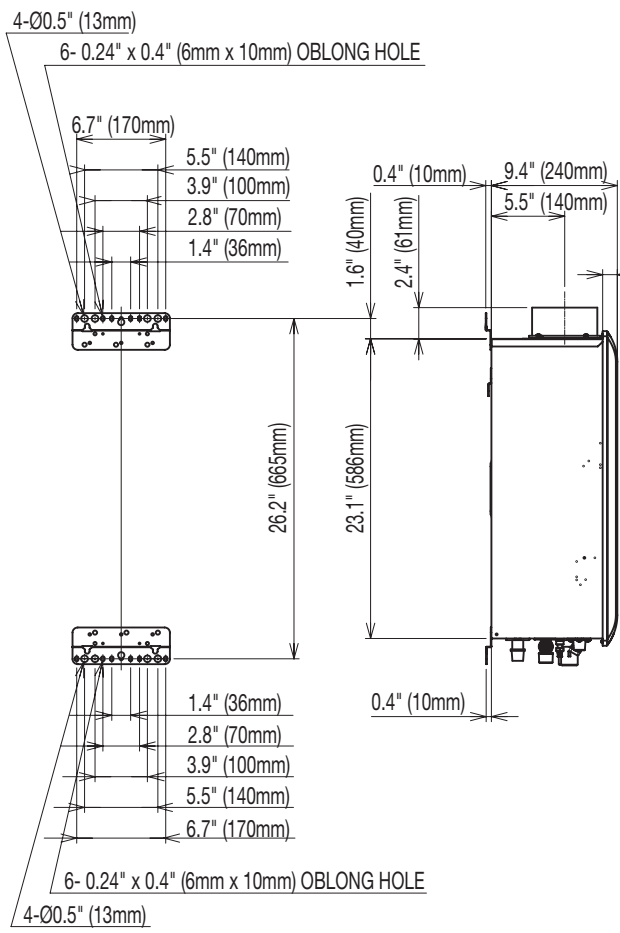
Shutdown Instructions

1. Stop any water demand.
2. Turn off electric power.
3. Turn the gas control manual valve clockwise to the off position.

Should overheating occur, or the gas supply fail to shut off, turn off the manual control valve to the appliance.

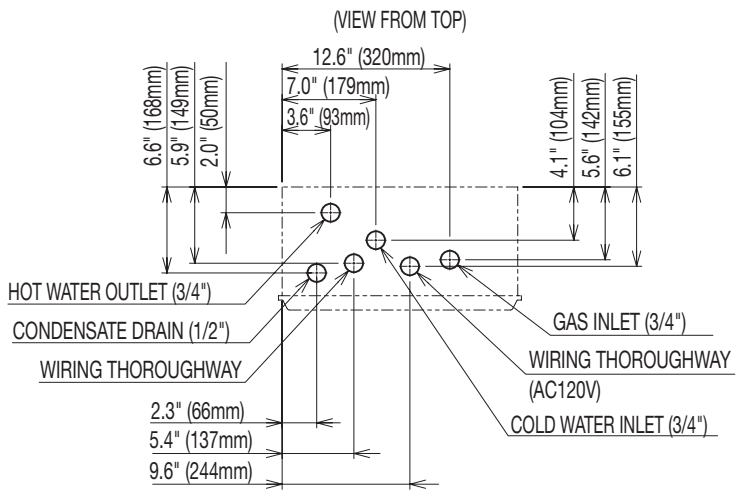
16. Dimensions

< inch (mm) >



HEIGHT OF EACH FITTING FROM BOTTOM OF CASE

	EN18WI30LS EP18WI30LS
CONDENSATE DRAIN	0.8" (20mm)
HOT WATER OUTLET	1.8" (45mm)
COLD WATER INLET	1.9" (49mm)
GAS INLET	2.2" (56mm)



For Installers: 800-299-9470

Read this installation guide carefully before carrying out installation.

Remote Controller

Installation Guide

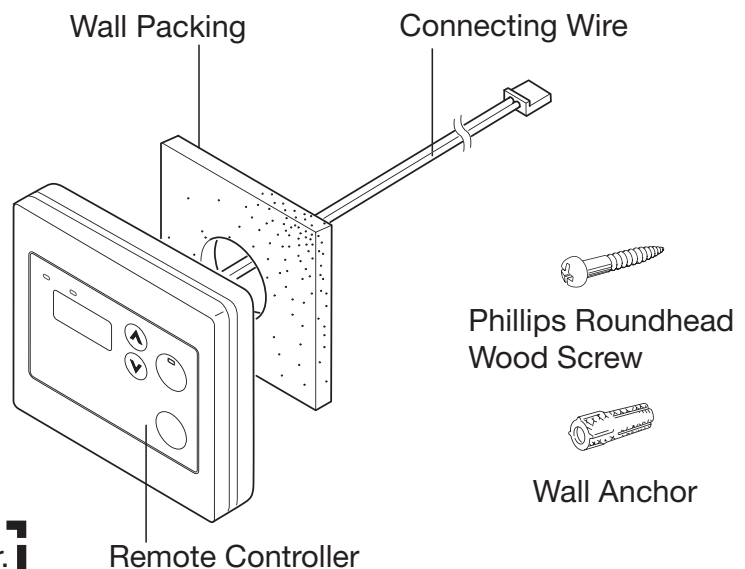
Electrolux Home Products, Inc.

Note

- Do not connect power to the water heater before the remote controller has been properly installed.
- Recommended installation location of the remote controller is in a bathroom.

Included Parts List

Part Name	Quantity
Remote Controller	1
Wall Packing	1
Phillips Roundhead Wood Screw	2
Wall Anchor	2



Do not disassemble the remote controller.

Notes on the Installation Location

- The remote should be installed in an easily accessible location.
- Avoid installing in a place where water or steam can come into contact with the controller.
- Avoid locations where special chemical agents (e.g., benzene, fatty and oily detergents) are used.
- Avoid outdoor installation, or installation in an indoor location where it will be exposed to direct sunlight.

Connection of Remote Controller Cord

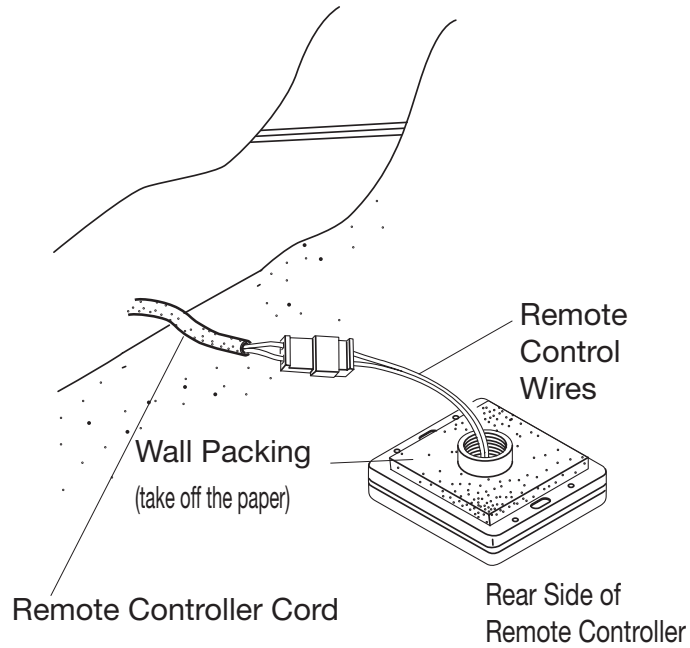
White Connector → To Remote Controller

Y-shaped terminals (two-core) → To Water Heater

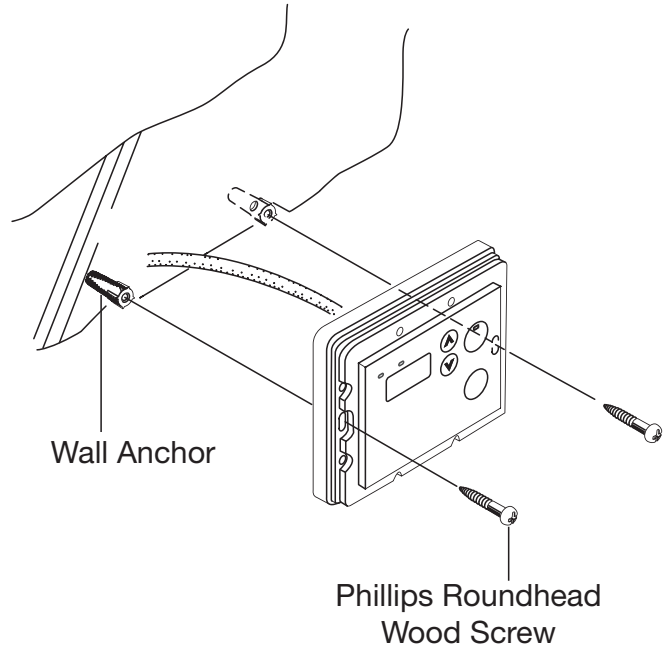
- * Confirm the connection with the labels at both ends of the remote controller cord.
- The remote controller cord can be extended up to 300 ft (90m). by splicing the cord and using 18 gauge wire to extend the cord to the appropriate length.

Installation

1. Apply Wall Packing to the rear side of the remote controller.
2. Connect the remote controller wires to the separate remote controller cord.



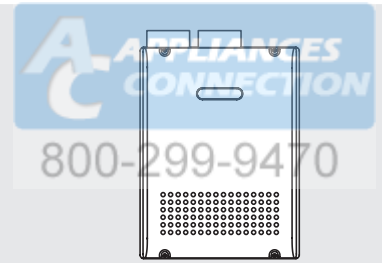
3. Remove the cover of the remote control, mark the location of the screw holes, and drill holes for the wall anchors.
4. Insert the wall anchors, screw the remote control to the wall and replace the cover.







Thinking of you
Electrolux



EN CONDENSING TANKLESS GAS WATER HEATER
SP CALENTADOR A GAS TIPO CONDENSADO

Installation Manual
Manual de Instalación

SBB800S-1
Rev. 09/13

5995615126 Septiembre 2013



SBB800S



800-299-9470

Manual de Instalación



APPLIANCES
Thinking of you
Electrolux
800-299-9470

CALENTADOR A GAS TIPO CONDENSADO

EN18WI30LS
EP18WI30LS

Los peligros potenciales de accidentes durante la instalación y el uso se dividen en las siguientes tres categorías. Respete cuidadosamente estas advertencias, que son esenciales para su seguridad.



PELIGRO

PELIGRO indica una situación inminente de peligro que, si no se evita, causará la muerte o lesiones graves.



ADVERTENCIA

ADVERTENCIA indica una situación potencialmente peligrosa que, si no se evita, podría causar la muerte o lesiones graves.



PRECAUCIÓN

PRECAUCIÓN indica una situación potencialmente peligrosa que, si no se evita, puede provocar lesiones leves o moderadas.

ADVERTENCIA: Si la información contenida en este manual no se sigue con exactitud, se puede provocar un incendio o una explosión causando daños materiales, lesiones personales o la muerte.



Prohibido



Desconectar
Alimentación



Tierra



Asegúrese de
hacerlo



PRECAUCIÓN

Peticiones a los instaladores

- Para utilizar el calentador de agua con seguridad, lea este manual de instalación cuidadosamente, y siga las instrucciones de instalación.
- Los fallos y daños causados por trabajos erróneos o realizados sin seguir las instrucciones de este manual no están cubiertos por la garantía.
- Al terminar, compruebe que la instalación se ha realizado correctamente según este Manual de Instalación.
- Después de terminar la instalación, coloque este Manual de Instalación en una bolsa plástica y fíjelo al lado del calentador de agua (o dentro de la cubierta de la tubería o de la caja empotrable, si procede), o entrégueselo al cliente para que lo utilice en futuras referencias. También, asegúrese de llenar todos los elementos necesarios en la tarjeta del registro/garantía y entregársela al cliente junto con el Manual de Uso y Cuidado.



Low NOx
Aprobado por
SCAQMD
14 ng/J or 20 ppm
(Solo Gas Natural)

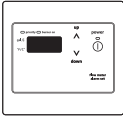
PARA USO EN APLICACIONES RESIDENCIALES EN LOS ESTADOS UNIDOS SOLAMENTE. NO DISEÑADO PARA EL USO EN CANADÁ O MÉXICO.

La instalación debe cumplir con los códigos locales, o en ausencia de códigos locales, con el Código Nacional de Gas Combustible, ANSI Z223.1/NFPA 54 - última edición.

Electrolux Home Products, Inc. se reserva el derecho de discontinuar, o cambiar en cualquier momento, los diseños y/o especificaciones de sus productos sin previo aviso.


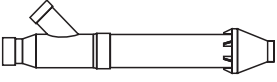


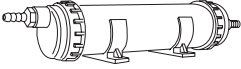
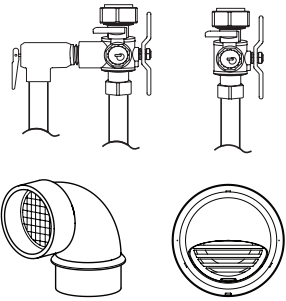
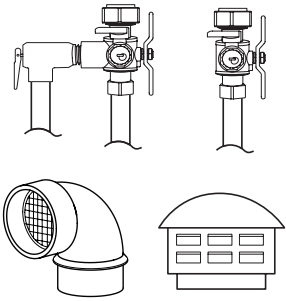
1. Accesorios Incluidos

Los siguientes accesorios están incluidos con la unidad. Compruebe los componentes que faltan antes de comenzar la instalación.

Pieza	Forma	Cantidad	Pieza	Forma	Cantidad
Tornillo de fijación		5	Manual de Uso y Cuidado. Garantía, Manual de Instalación (este documento)		1 cada uno
Control Remoto (ver página 31)		1	Cable del Control Remoto (6 pies (2m)) (RC-CORD6)		1

2. Accesorios Opcionales

Los accesorios indicados a continuación no se incluyen con las unidades, pero pueden ser necesarios para la instalación. Póngase en contacto con Electrolux Home Products, Inc. en el 1-888-360-8557 para más información.

Pieza	Forma	Pieza	Forma
Cable de Conexión Rápida TWHQCCORD		3" (75mm) Terminal PVC TWHHORCONC	
3" (75mm) / 4" (100mm) Terminación de capucha Horizontal TWHHORHOOD		3" (75 mm) / 4" (100 mm) Terminación del capuchón de lluvia vertical TWHVERTCAP	
Kit de Neutralizador TWHNEUTRAL			
Kit de instalación horizontal TWHHORKIT (Válvulas aisladoras, Válvula de liberación de presión, Terminación de la capucha horizontal, Kit de conversión SV (#SV-CK-3))		Kit de instalación vertical TWHVERTKIT (Válvulas aisladoras, Válvula de liberación de presión, Terminación del capuchón de lluvia vertical, Kit de conversión SV (#SV-CK-3))	

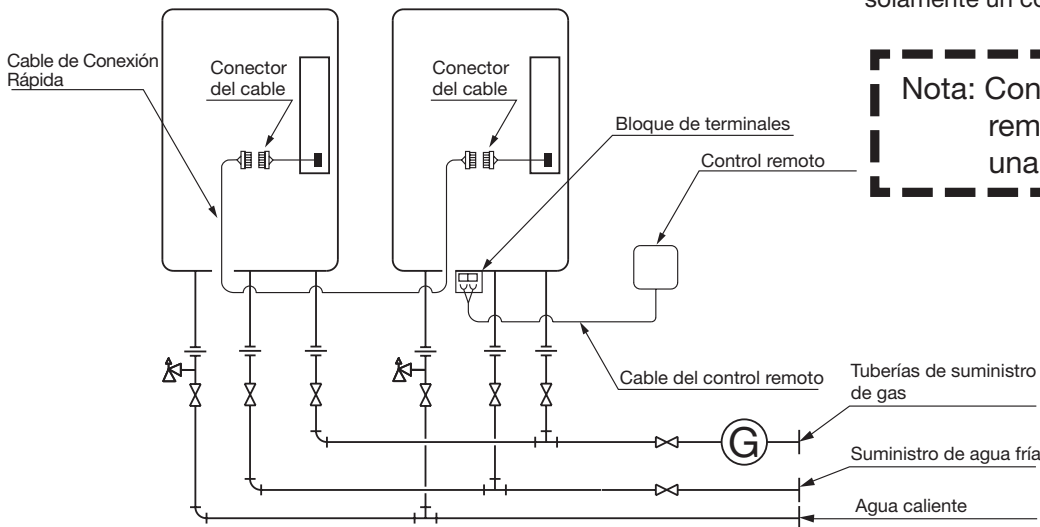
3. Instalación del Multi-sistema de Conexión Rápida

- El multi-sistema de Conexión Rápida permite la instalación de dos unidades juntas usando solamente el cable de conexión rápida.

El cable de conexión rápida tiene 6 pies.(2m) de largo. Instale las unidades a 2-18" (50 - 457mm) de distancia una de otra para asegurar que el cable se extienda por ambas unidades. (Véa el diagrama Plomería).
(Si la distancia entre las dos unidades es demasiado grande, no sólo el cable no alcanzará, sino que la temperatura del agua también puede volverse inestable debido a la diferencia en la longitud de tubería entre las dos unidades).

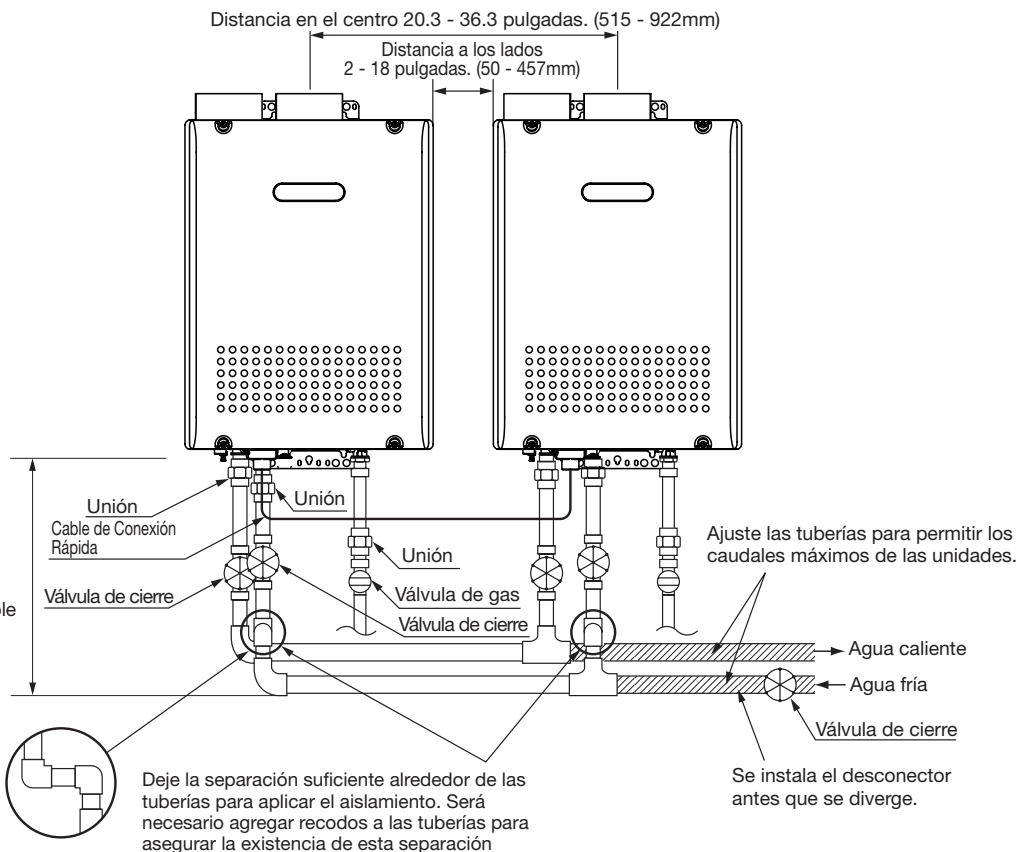
Diagrama del Sistema

* Al conectar dos unidades, utilice solamente un control remoto.



Nota: Conecte el control remoto solamente a una de las unidades.

Diagrama de plomería



Haga esta distancia lo más corta posible.
* La temperatura del agua caliente se volverá inestable a medida que aumenta la longitud de la tubería.

Deje la separación suficiente alrededor de las tuberías para aplicar el aislamiento. Será necesario agregar recodos a las tuberías para asegurar la existencia de esta separación

Se instala el desconector antes que se diverge.

- Aíse las tuberías de agua caliente para evitar la pérdida de calor. Aíse y aplique materiales de la calefacción a la tubería de agua fría para evitar la pérdida de calor y el congelamiento de las tuberías cuando se expongan a temperaturas excesivamente frías.

4. Antes de la Instalación

PELIGRO

Chequeo

- Verifique anualmente los daños y el desgaste de los soportes de fijación y la tubería de ventilación. Cámbielos si es necesario.

ADVERTENCIA:

Precauciones para cambiar la tubería de ventilación

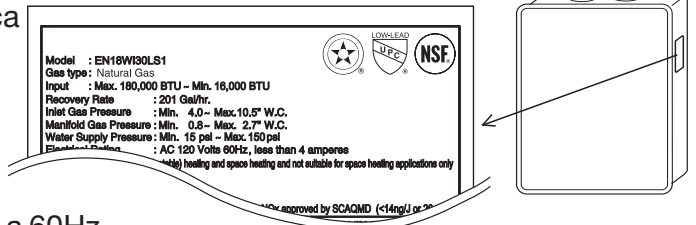
- El sistema de ventilación seguramente tendrá que ser cambiado cuando se instale este aparato. Utilice únicamente los materiales de ventilación que se especifican en este Manual de Instalación para el uso de este aparato. Consulte la sección "Instalación de la Tubería de Ventilación" para más detalles. Si el PVC, CPVC, o la tubería indicada en la Categoría IV ya está instalada, busque pinchazos, grietas, o bloqueos y consulte con el fabricante de la tubería de ventilación antes de reutilizarla. Una ventilación inadecuada puede provocar incendios, daños a la propiedad o la exposición al monóxido de carbono.

Precauciones para la nieve

- Si este producto es instalado en un área donde se conoce que la nieve se acumula, proteja la terminación de la ventilación de la obstrucción por la acumulación de nieve o el daño de la nieve que cae de los techos.

Comprobación del gas

- Compruebe que la placa de características indica el tipo correcto de gas.
- Compruebe que la línea de suministro de gas esté dimensionada para 180,000 Btuh.



Comprobación de la alimentación

- La fuente de alimentación requerida es 120VAC, a 60Hz. El uso de voltaje incorrecto puede provocar incendios o descargas eléctricas.

Tenga mucho cuidado si se utiliza con un precalentador solar

- El uso de esta unidad con un precalentador solar puede dar lugar a temperaturas de salida imprevisibles y posiblemente quemaduras. Si fuese absolutamente necesario, use válvulas mezcladoras para garantizar que las temperaturas de salida no alcancen niveles de quemaduras. No utilice un precalentador solar con el multi-sistema de conexión rápida.

PRECAUCIÓN

No Utilice el equipo para fines distintos de los especificados

- No lo utilice con fines distintos a aumentar la temperatura del suministro de agua, ya que pueden ocurrir accidentes inesperados.

Compruebe la calidad del suministro de agua

- Si el suministro de agua es superior a 12 granos por galón (200 mg/L) de dureza, acidez o impureza, debe tratar el agua con métodos aprobados para asegurar la cobertura completa de la garantía.

5. Elección del lugar de instalación

* Ubique el aparato en un área donde las fugas desde la unidad o las conexiones no provoquen daños a la zona adyacente al aparato o a los pisos inferiores de la estructura. Cuando no se pueden evitar estas ubicaciones, se recomienda instalar debajo del aparato un recipiente de drenaje apropiado, drenado adecuadamente. El recipiente no debe reducir el flujo de aire de combustión.

PELIGRO

- Coloque el terminal de ventilación para que no haya obstáculos alrededor de la terminación y para que no se acumulen gases de escape. No envuelva la terminación con metal corrugado u otros materiales.

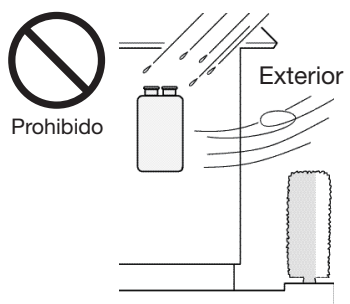
ADVERTENCIA:

- Evite los lugares donde son comunes los incendios, como aquellos en los que se usa gasolina, benceno y adhesivos, o lugares en que hay gases corrosivos (amoníaco, cloro, azufre, compuestos de etileno, ácidos).
El uso de voltaje incorrecto puede provocar incendios o grietas.
- Evite la instalación en lugares donde se acumule el polvo o los desechos. El polvo puede bloquear la apertura del suministro de aire, provocando la reducción del rendimiento del ventilador y por consiguiente una combustión incompleta.
- Evite la instalación en lugares donde se utilizan agentes químicos especiales (por ejemplo, laca para el cabello o detergente spray). Como resultado pueden producirse fallos del encendido y averías.
- Peligro de intoxicación por monóxido de carbono. No instale este calentador de agua en una caravana, en vehículos de recreo o en un barco.



PRECAUCIÓN

- El calentador de agua está diseñado para instalación solamente en interiores. Nunca lo instale en el exterior o en el baño, puede dañarse o puede producirse un incendio.
- Consulte con el cliente acerca de la ubicación de la instalación.
- Instale el calentador de agua en un área que permita las separaciones apropiadas para la construcción combustible e incombustible. Consulte la placa de características del aparato para las separaciones apropiadas.
- No instale el calentador de agua en un lugar donde pueda verse en peligro por caída de objetos, tales como bajo estantes.
- El calentador de agua debe instalarse en un lugar donde las tuberías de suministro y escape puedan instalarse como se indica.
- No instale el calentador de agua donde los gases de escape impacten en paredes exteriores o en materiales no resistentes al calor. También tenga en cuenta los árboles y los animales circundantes.
El calor y la humedad del calentador de agua pueden causar la decoloración de paredes y de materiales resinosos, o la corrosión de los materiales de aluminio.

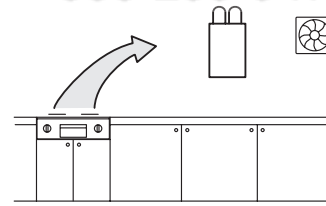


⚠ PRECAUCIÓN

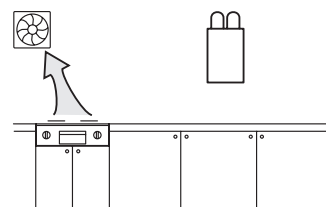
- Evite la instalación sobre encimeras de gas o estufas.
- Evite la instalación entre el ventilador de la cocina y la estufa. Si hay humo aceitoso o una gran cantidad de vapor en el lugar de instalación, tome medidas para evitar que el humo y el vapor se introduzcan en el equipo.
- Haga la instalación en una ubicación donde el flujo del gas de escape no se vea afectado por ventiladores o campanas extractoras.
- Trate de que el ruido y el gas de escape no afecten a los vecinos. Evite la instalación en paredes comunes pues la unidad hará algunos ruidos operacionales cuando esté en funcionamiento.
- Antes de hacer la instalación, cerciórese de que la terminación de la chimenea de escape tendrá las separaciones apropiadas según el Código Nacional de Gas Combustible (ANSI Z223.1).



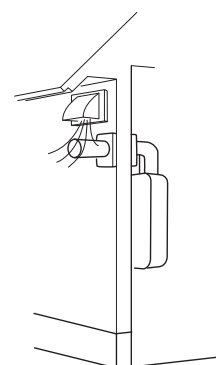
Prohibido



Asegúrese de hacerlo



Prohibido



Estado de California: El calentador de agua debe estar asegurado, anclado o atado con correa para evitar los movimientos durante un terremoto. Póngase en contacto con los servicios locales para conocer los requisitos de código en su área o llame a: Electrolux Home Products, Inc. al 1-888-360-8557 y pida instrucciones.

Mancomunidad de Massachusetts: El calentador de agua se puede utilizar solamente para agua caliente y no en una combinación del agua doméstica y la calefacción.

Para información sobre los requisitos de los fabricantes de ventilación, llame a Electrolux Home Products, Inc. al 1-888-360-8557 o visítenos en www.electroluxappliances.com.

6. Separaciones en la instalación

⚠️ ADVERTENCIA:

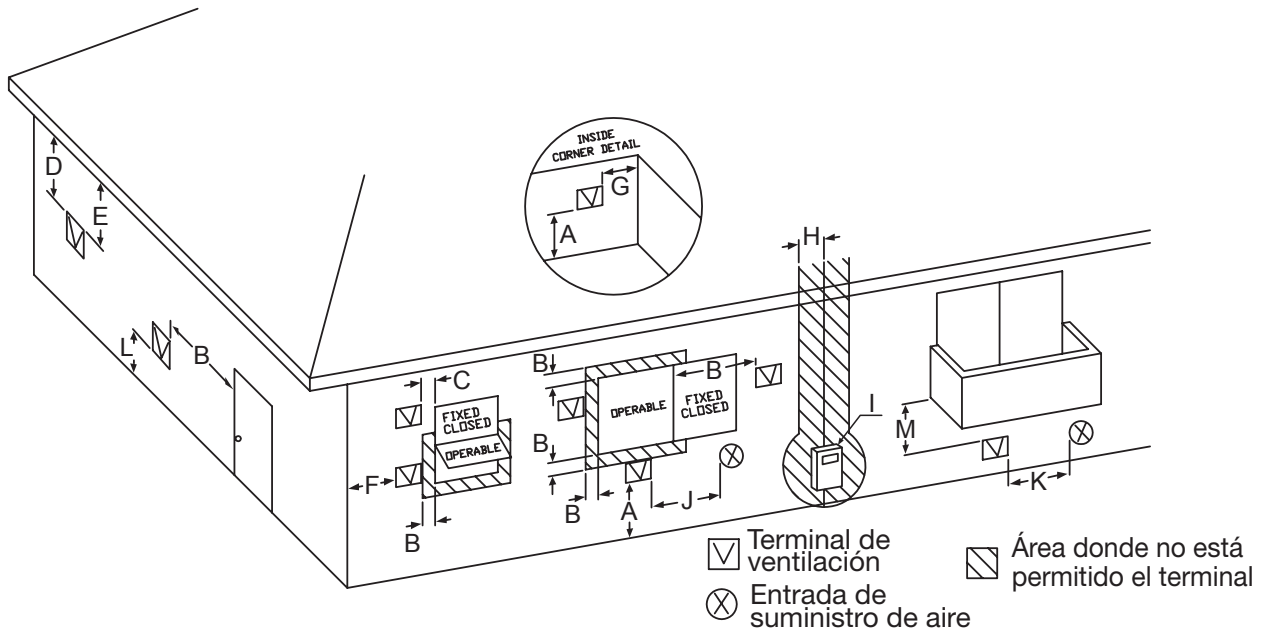
Antes de hacer la instalación, compruebe lo siguiente:

Haga la instalación de acuerdo con los códigos de construcción y mecánicos correspondientes, así como los reglamentos locales, estatales o nacionales, o en ausencia de códigos locales y estatales, según el Código Nacional de Gas Combustible ANSI Z223.1/NFPA 54 – última edición.

Dato	Comprobar	Ilustración
Distancia desde los combustibles	<ul style="list-style-type: none"> Mantenga las siguientes separaciones para los materiales combustibles e incombustibles 	
Garantizar espacio para reparación/inspección	<ul style="list-style-type: none"> Si es posible, deje 8" (200mm) o más a cualquier lado de la unidad para facilitar la inspección. Si es posible, deje 24" (600mm) o más al frente de la unidad para facilitar el mantenimiento y la reparación si fuera necesario. Si es posible, deje 3" (75mm) o más por encima y por debajo de la tubería de ventilación para facilitar la inspección y la reparación si fuera necesario. 	
Aparatos de cocina	<p><Cuando se utiliza aire interior para la combustión></p> <ul style="list-style-type: none"> Si la unidad se instala cerca de una cocina fija o estufa que tiene la posibilidad de generar vapor que contiene grasas o aceites, utilice la *placa divisoria u otra medida para garantizar que la unidad no está expuesta al aire que contiene tales impurezas. <p>* La placa divisoria debe ser de un material incombustible con una anchura mayor que el calentador de agua.</p>	

Requisitos de separación desde las terminaciones de ventilación hasta los canales.
<Al suministrar aire de combustión desde el exterior (Respiradero directo)>

* Todos los requisitos de separación cumplen las normas ANSI Z21.10.3 y el Código Nacional de Gas Combustible, ANSI Z223.1.



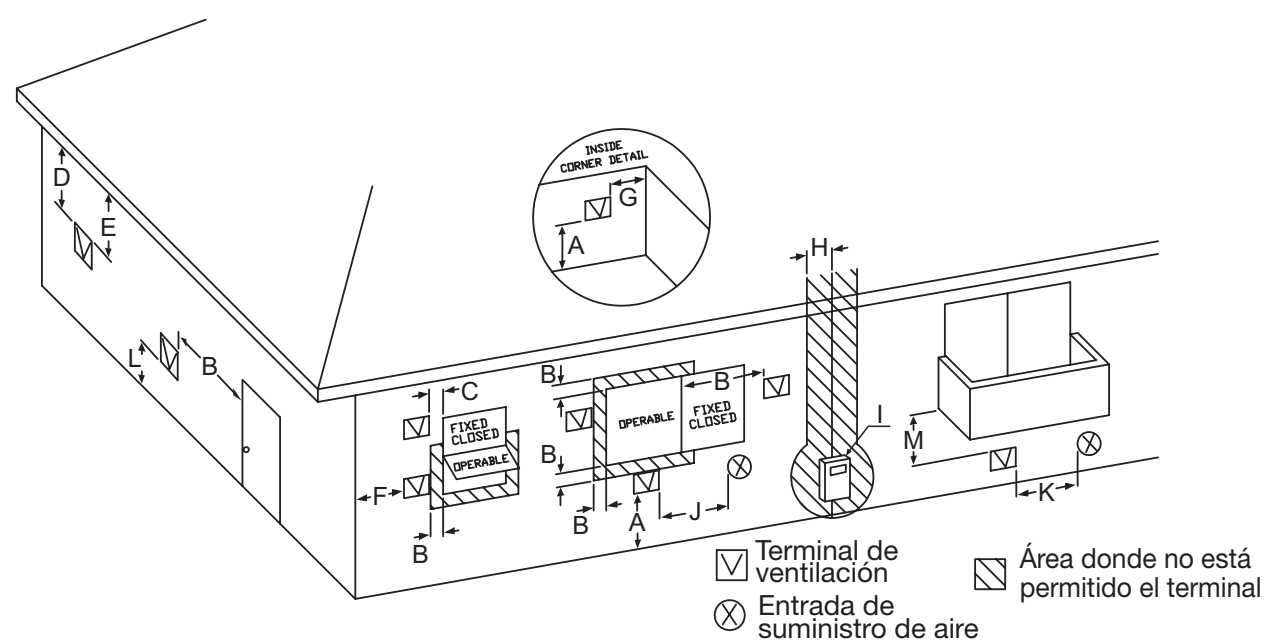
Ref	Separación	Instalaciones de respiradero directas US ¹
A=	Holgura por encima de desnivel, veranda, porche, cubierta o balcón	12 pulgadas (30 cm)
B=	Holgura hasta la ventana o puerta que podría abrirse	12 pulgadas (30 cm)
C=	Holgura para cerrar la ventana de forma permanente	*
D=	Holgura vertical para el plafón de ventilado situado encima del terminal dentro de una distancia horizontal de 2 pies (61 centímetros) desde la línea central del terminal	*
E=	Holgura hacia el plafón no ventilado	*
F=	Holgura hacia la esquina exterior	*
G=	Holgura de la esquina interior	*
H=	Holgura a cada lado de la línea central extendida por encima del conjunto del contador/regulador	*
I=	Holgura hacia la salida del respiradero del regulador de servicio	*
J=	Holgura hacia la entrada de suministro de aire no mecánico al edificio o la entrada de aire de combustión a cualquier otro aparato	12 pulgadas (30 cm)
K=	Holgura hacia una entrada de suministro de aire mecánico	3 pies (91 cm) por encima si está dentro de 10 pies (3 m)
L=	Holgura sobre la acera pavimentada o entrada pavimentada ubicada en propiedad pública	*
M=	Holgura por debajo de una veranda, porche, cubierta o balcón	*

¹ En conformidad con la norma vigente del Código de Gas Combustible Nacional ANSI Z223.1 / NFPA 54

* Holgura de acuerdo con los códigos de instalación locales y los requisitos del proveedor de gas. La holgura hacia el muro contrario es de 24 pulgadas (60 cm).

Requisitos de separación desde las terminaciones de ventilación hasta los canales. <Al suministrar aire de combustión desde el interior (Respiradero indirecto)>

* Todos los requisitos de separación cumplen las normas ANSI Z21.10.3 y el Código Nacional de Gas Combustible, ANSI Z223.1.



Ref	Separación	Instalaciones de respiraderos indirectas US ¹
A=	Holgura por encima de desnivel, veranda, porche, cubierta o balcón	12 pulgadas (30 cm)
B=	Holgura hasta la ventana o puerta que podría abrirse	4 pies (1.2 m) más abajo o hacia el lado de apertura; 1 pie (30 cm) por encima de la apertura
C=	Holgura para cerrar la ventana de forma permanente	*
D=	Holgura vertical para el plafón de ventilado situado encima del terminal dentro de una distancia horizontal de 2 pies (61 centímetros) desde la línea central del terminal	*
E=	Holgura hacia el plafón no ventilado	*
F=	Holgura hacia la esquina exterior	*
G=	Holgura de la esquina interior	*
H=	Holgura a cada lado de la línea central extendida por encima del conjunto del contador/regulador	*
I=	Holgura hacia la salida del respiradero del regulador de servicio	*
J=	Holgura hacia la entrada de suministro de aire no mecánico al edificio o la entrada de aire de combustión a cualquier otro aparato	4 pies (1,2 m) más abajo o hacia el lado de apertura; 1 pie (30 cm) por encima de la apertura
K=	Holgura hacia una entrada de suministro de aire mecánico	3 pies (91 cm) por encima si está dentro de 10 pies (3 m) horizontalmente
L=	Holgura sobre la acera pavimentada o entrada pavimentada ubicada en propiedad pública	*
M=	Holgura por debajo de una veranda, porche, cubierta o balcón	*

¹ En conformidad con la norma vigente del Código de Gas Combustible Nacional ANSI Z223.1 / NFPA 54


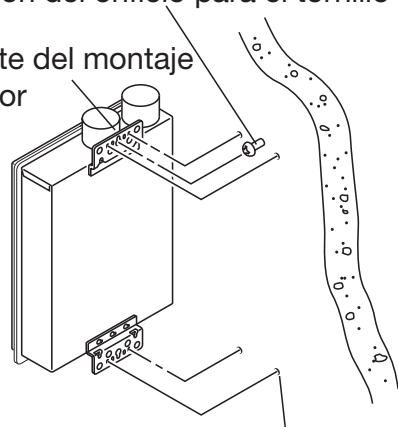
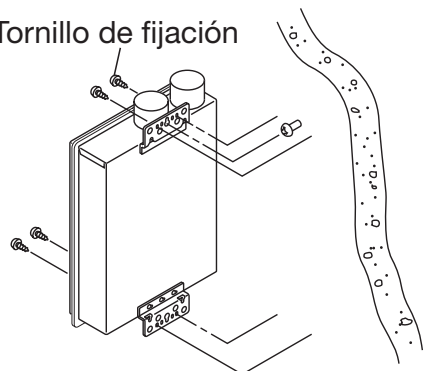
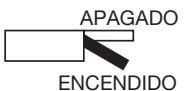
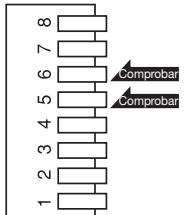
* Holgura de acuerdo con los códigos de instalación locales y los requisitos del proveedor de gas. La holgura hacia el muro contrario es de 24 pulgadas (60 cm).

7. Instalación

Fijación en la pared




- El peso del dispositivo será aplicado a la pared. Si la resistencia de la pared no es suficiente, se debe reforzar para prevenir la transferencia de vibraciones
- No deje el dispositivo descolgado ni le aplique fuerza innecesaria cuando lo instale. Las piezas internas se pueden dañar y pueden llegar a ser altamente peligrosas.
- Instale la unidad en una pared vertical y asegúrese de que esté bien nivelado.

Dato	Comprobar	Ilustración															
Colocación de los orificios para tornillos	<div style="border: 2px solid black; padding: 5px; text-align: center;">  PRECAUCIÓN </div> <ul style="list-style-type: none"> • Cuando haga la instalación con las manos desnudas, tome precauciones para no lesionarse. • Tenga cuidado de no golpear el cableado eléctrico, las tuberías de gas o de agua cuando taladre los orificios <ol style="list-style-type: none"> 1. Taladre un solo orificio para el tornillo asegurándose de perforar un travesaño. 2. Introduzca y apriete el tornillo y cuelgue la unidad por el soporte de montaje superior. 3. Determine las posiciones para los cuatro tornillos restantes (dos para el soporte superior y dos para el inferior), y quite la unidad. 	<p>Ubicación del orificio para el tornillo</p>  <p>Colocación de los orificios para tornillos</p>															
Montaje	<ol style="list-style-type: none"> 4. Taladre los orificios para los cuatro tornillos restantes. 5. Vuelva a colgar la unidad por el primer tornillo y a continuación introduzca y apriete los cuatro tornillos restantes. 6. Tome medidas de impermeabilización de modo que el agua no entre en el inmueble a través de los tornillos de montaje del dispositivo. 	<p>Tornillo de fijación</p> 															
Estructura	<ul style="list-style-type: none"> • Cerciórese de que la unidad esté instalada de forma segura de modo que no se caiga o se mueva a causa de vibraciones o terremotos. 																
Instalaciones en elevaciones sobre los 2,000 pies.	<ul style="list-style-type: none"> • Si este calentador de agua se instala a una altura de 2000 pies (610 m) o superior, ajuste los interruptores dip como se ilustra en la tabla a la derecha. • Desconecte la alimentación del calentador de agua antes de cambiar los interruptores dip. No realizar este paso puede provocar que aparezca un código "73" en el control remoto y se detenga el funcionamiento. Si esto ocurre, desconecte y vuelva a conectar el calentador de agua para restablecer el sistema. Nota: Consulte la página 31 para la ubicación del banco de interruptores dip. 	<p>* No cambie ninguno de los interruptores.</p> <p>  </p> <p>* Ajuste de elevación alta.</p> <table border="1" data-bbox="981 1881 1316 2072"> <thead> <tr> <th></th> <th>5</th> <th>6</th> </tr> </thead> <tbody> <tr> <td>0 - 2,000 pies (0 - 610m)</td> <td style="text-align: center;">○</td> <td style="text-align: center;">○</td> </tr> <tr> <td>2,001 - 4,000 pies (611 - 1,220m)</td> <td style="text-align: center;">●</td> <td style="text-align: center;">○</td> </tr> <tr> <td>4,001 - 6,000 pies (1,221 - 1,830m)</td> <td style="text-align: center;">○</td> <td style="text-align: center;">●</td> </tr> <tr> <td>6,001 - 8,000 pies (1,831 - 2,440m)</td> <td style="text-align: center;">●</td> <td style="text-align: center;">●</td> </tr> </tbody> </table> <p>ENCENDIDO=● APAGADO=○</p> 		5	6	0 - 2,000 pies (0 - 610m)	○	○	2,001 - 4,000 pies (611 - 1,220m)	●	○	4,001 - 6,000 pies (1,221 - 1,830m)	○	●	6,001 - 8,000 pies (1,831 - 2,440m)	●	●
	5	6															
0 - 2,000 pies (0 - 610m)	○	○															
2,001 - 4,000 pies (611 - 1,220m)	●	○															
4,001 - 6,000 pies (1,221 - 1,830m)	○	●															
6,001 - 8,000 pies (1,831 - 2,440m)	●	●															

Llenado del purgador de condensado con agua

El purgador de condensado se puede llenar antes de conectar la tubería de ventilación.

Llenado del purgador de condensado antes de la instalación de la tubería de ventilación.

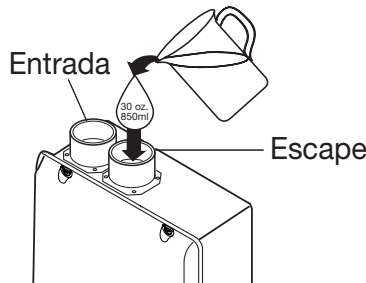


PELIGRO

Antes del arranque inicial, cerciórese de llenar el purgador de condensado con agua.
 Esto es para evitar que gases de escape peligrosos entren en el inmueble.
 No llenar el purgador de condensado puede provocar lesiones personales graves o la muerte.

Siga uno de los procedimientos descritos a continuación para asegurar que el purgador de condensado esté lleno de agua.

- 1) Llene el purgador de condensado vertiendo aproximadamente 30 onzas (850ml) de agua en el accesorio de escape en la parte superior del aparato como se ilustra a continuación.



O, si ya se ha instalado la tubería de ventilación:

- 2) Después de instalar la tubería de desagüe, cerciórese de que el área alrededor del aparato esté bien Ventilada; si es necesario, abra una ventana o una puerta.

A continuación, ponga la unidad en funcionamiento y verifique que el condensado está saliendo por la tubería de desagüe.

(Durante el uso normal del calentador de agua, el condensado comenzará a descargar por la tubería de desagüe a los 15 minutos de uso. Sin embargo, dependiendo de la temporada y las condiciones del lugar de instalación, puede tardar más).

Nota: El condensado descargado del calentador de agua tiene un nivel del pH de aproximadamente 2-3.

Si es requerido por el código local, el condensado debe ser neutralizado antes de la eliminación en el sistema de alcantarillado. Consulte las páginas 27-28 para más detalles.

8. Instalación de la Tubería de Ventilación

ADVERTENCIA:



INTOXICACIÓN POR MONÓXIDO DE CARBONO
 Siga todos los requisitos de sistema de ventilación según la normativa local o estatal o, en ausencia de código local o estatal, en los Estados Unidos el Código Nacional de Gas Combustible ANSI Z233.1/NFPA 54 – última edición.

Requisitos Generales

- Bajo condiciones normales, este aparato no producirá una temperatura en la chimenea de escape mayor de 149°F (65°C) y la tubería PVC cedula 40 puede usarse como material de ventilación. Si es requerido por el código local, las tuberías CPVC cedulas 40 u 80 también se pueden usar en este aparato. Consulte la página 14 para conocer los requisitos adicionales.
- Cerciórese de que el sistema de ventilación sea hermético a gas y que no tenga fugas.
- Asegure la tubería de ventilación con soportes a intervalos regulares según se especifica en estas instrucciones o las instrucciones del fabricante.
- No utilice ventilación compartida o conecte más de un aparato a este sistema de ventilación.
- La longitud total de la ventilación incluyendo las conexiones horizontales y verticales no debe ser menor de 3' (0.9m).
- No almacene sustancias peligrosas o inflamables cerca de la terminación de la ventilación y compruebe que no esté bloqueada.
- La terminación de la ventilación puede expulsar vapor o agua condensada. Seleccione la ubicación para la terminación de modo que se eviten lesiones o daños materiales.
- Si se pronostica acumulación de nieve, asegúrese de que el extremo de la tubería no esté cubierta de nieve o golpeada por trozos de nieve.

Longitudes máximas de ventilación

- Este aparato ha sido diseñado para ventilarse con 3" (75 mm) o 4" (100 mm) de tubería de PVC o CPVC. No exceda las siguientes longitudes máximas de ventilación:

Diámetro de la tubería	3" (75mm)	4" (100mm)
Nº. de codos	Longitud máx. de ventilación recta*	
6	24' (7.2m)	24' (7.2m)
5	30' (9.0m)	30' (9.0m)
4	35' (10.8m)	35' (10.8m)
3	41' (12.6m)	41' (12.6m)
2	47' (14.4m)	47' (14.4m)
1	53' (16.2m)	53' (16.2m)

* Sin incluir la terminación.

- Mantenga el mismo diámetro de la tubería de ventilación desde la chimenea hasta la terminación de la ventilación. Las tuberías de escape y entrada deben tener el mismo diámetro que la tubería de ventilación.

Separaciones

El PVC o CPVC ha sido aprobado para el uso en este aparato con separación cero a los combustibles.

Interruptores de ajustes de longitudes máximas de ventilación

La unidad se puede ajustar para acomodar conexiones de ventilación más largas; consulte la siguiente tabla para ver la longitud máxima de ventilación basada en la cantidad de codos. Ajuste los interruptores dip según la condición de la ventilación indicada en las siguientes tablas.

Nota: La unidad viene configurada por defecto en la condición "longitud corta". Cuando se ajusten los interruptores dip para conexiones de ventilación más largas, la entrada de BTUH del aparato se reducirá hasta un 5%.

- Desconecte la alimentación del calentador de agua antes de cambiar los interruptores dip. No realizar este paso puede provocar que aparezca un código "73" en el control remoto y se detenga el funcionamiento. Si esto ocurre, desconecte y vuelva a conectar el calentador de agua para restablecer el sistema.

Nota: Consulte la página 31 para la ubicación del banco de interruptores dip.

[Ejemplo de longitudes máximas de ventilación]

- Dos codos de 90°, longitud máxima = 18 pies. (5.4m)
(con dos interruptores dip ajustados en la condición "longitud corta")
- Dos codos de 90°, longitud máxima = 18 pies. (14.4m)
(con dos interruptores dip ajustados en la condición "longitud larga")

<Configuraciones de longitudes máximas de ventilación>

Longitud de ventilación			Codos						
pies	m	Cantidad de piezas**	0	1	2	3	4	5	6
0	0.00	0	① ③	① ③	① ③	① ③	① ③	② ④	② ④
3	0.90	1	① ③	① ③	① ③	① ③	① ③	② ④	② ④
6	1.80	2	① ③	① ③	① ③	① ③	① ③	② ④	② ④
9	2.70	3	① ③	① ③	① ③	① ③	② ④	② ④	② ④
12	3.60	4	① ③	① ③	① ③	① ③	② ④	② ④	② ④
15	4.50	5	① ③	① ③	① ③	② ④	② ④	② ④	② ④
18	5.40	6	① ③	① ③	① ③	② ④	② ④	② ④	② ④
21	6.30	7	① ③	① ③	② ④	② ④	② ④	② ④	② ④
24	7.20	8	① ③	① ③	② ④	② ④	② ④	② ④	② ④
27	8.10	9	① ③	② ④	② ④	② ④	② ④	② ④	
30	9.00	10	① ③	② ④	② ④	② ④	② ④	② ④	
32	9.90	11	② ④	② ④	② ④	② ④	② ④		
35	10.80	12	② ④	② ④	② ④	② ④	② ④		
38	11.70	13	② ④	② ④	② ④	② ④			
41	12.60	14	② ④	② ④	② ④	② ④			
44	13.50	15	② ④	② ④	② ④				
47	14.40	16	② ④	② ④	② ④				
50	15.30	17	② ④	② ④					
53	16.20	18	② ④	② ④					
56	17.10	19	② ④						
59	18.00	20	② ④						

* No cambie ninguno de los interruptores.




① Longitud corta usando una tubería de 3" (75mm)	③ Longitud corta usando una tubería de 4" (100mm)
② Longitud larga usando una tubería de 3" (75mm)	④ Longitud larga usando una tubería de 4" (100mm)

**En la tabla se asume que las piezas rectas de ventilación son de 3' (0.9m) cada una. También se pueden usar piezas de ventilación más cortas o más largas hasta la longitud máxima permitida.

* Condición de longitud de ventilación.

	7	8
① Longitud corta usando una tubería de 3" (75mm)	○	○
② Longitud larga usando una tubería de 3" (75mm)	●	○
③ Longitud corta usando una tubería de 4" (100mm)	○	●
④ Longitud larga usando una tubería de 4" (100mm)	●	●

ENCENDIDO= ● APAGADO= ○



La alimentación debe estar desconectada cuando se ajusten los interruptores dip para cambiar la cantidad de flujo de aire.

Ventilación con PVC o CPVC.

Este aparato se puede ventilar con materiales de tubería plástica de base no celular como se especifica en la siguiente tabla.

Artículo	Material	Estados Unidos
Escape/entrada de aire	PVC cedula 40	ANSI/ASTM D1785
	PVC-DWV	ANSI/ASTM D2665
	CPVC cedula 40	ANSI/ASTM F441
Cemento/base de la tubería	PVC	ANSI/ASTM D2564
	CPVC	ANSI/ASTM F493

Nota: No use tuberías de base de espuma celular

Instrucciones de instalación de PVC/CPVC

- Use solamente tuberías sólidas PVC o CPVC cedula 40 La tubería de base de espuma celular no está permitida.
- La tubería cedula 80 de 3" o 4" también se puede usar en este aparato, sin embargo la entrada BTUH del aparato se reducirá en un 5%.
- Siga normas generales de ventilación según se describe en esta página.
- El PVC o CPVC ha sido aprobado para el uso en este aparato con separación cero a los combustibles.
- La tubería se instalará de forma tal que las primeras 3' (0.9m) de chimenea queden accesibles para la inspección visual.
- Cuando prepare y ensamble la tubería, siga las instrucciones suministradas por el fabricante. En general, se deben cumplir las siguientes prácticas:
 - o Corte en ángulo recto todas las piezas de tubería.
 - o Quite las rebabas y desechos de las juntas y accesorios.
 - o Todas las juntas se deben limpiar, cebar y cementar adecuadamente. Solamente use cemento y base aprobados para su uso en tuberías según se describe en la tabla anterior.



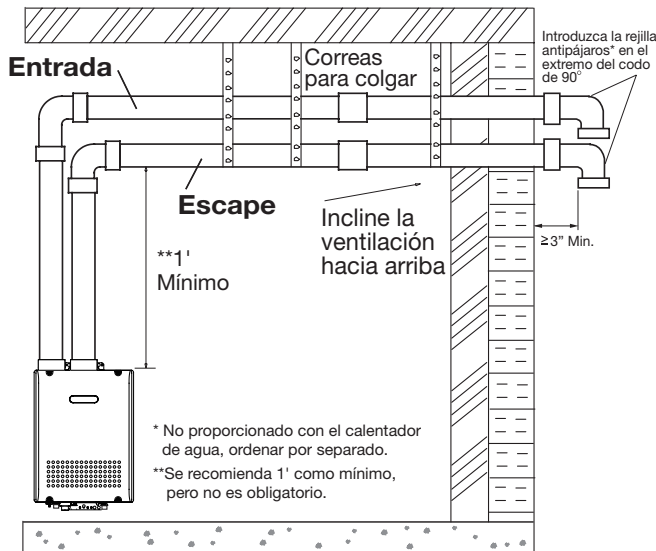
ADVERTENCIA

INTOXICACIÓN POR MONÓXIDO DE CARBONO
 No sellar adecuadamente el sistema de ventilación puede provocar que los productos de la chimenea entren en la vivienda.

- Todas las tuberías deben estar totalmente aseguradas. Use soportes a intervalos mínimos de 3' (0.9m). No use el calentador de agua para asegurar las tuberías de ventilación.
- Cuando fije las tuberías al calentador de agua, use la base y el cemento adecuados para asegurar un sellado bien sellado.
- Debe instalarse una rejilla antipájaros en las terminaciones del respiradero si es que no forma ya parte del conjunto de terminación del respiradero para evitar que la suciedad o los animales penetren en la tubería. Estas rejillas no se proporcionan con el calentador de agua y se deben comprar por separado.

Instalación de la tubería de ventilación

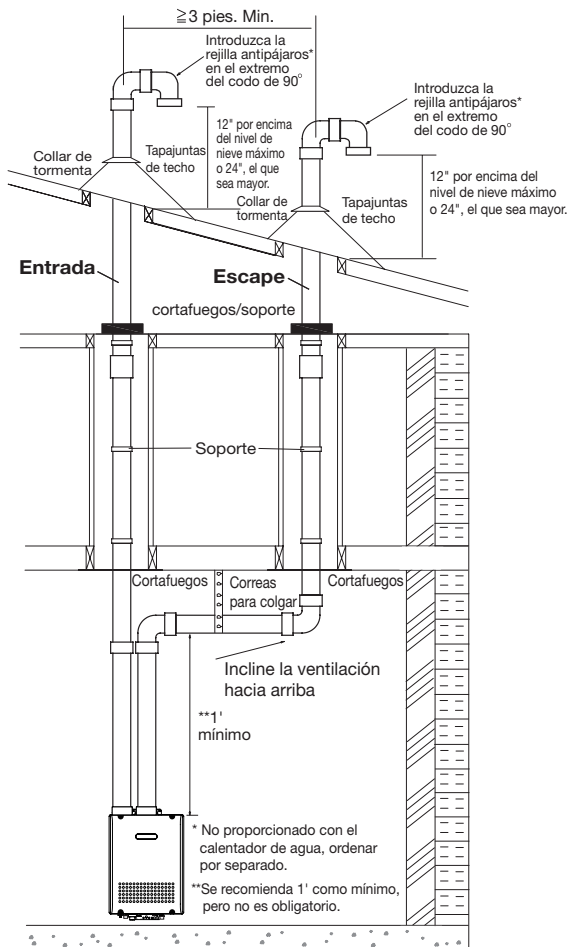
Terminación de la ventilación horizontal- solo materiales PVC/CPVC



Cuando elija las terminaciones de entrada y escape, debe usar el mismo tipo de codo (es decir dos codos de 90°). Esto ayuda a obtener una combustión apropiada poniendo ambas terminaciones en la misma zona de presión.

- Como se ilustra a la izquierda, cerciórese de mantener una distancia de 3' (0.9m) o más entre la entrada y el escape cuando instale las tuberías de ventilación.
* Si no puede asegurarse una distancia de 3' (0.9 m) entre la admisión y el escape, la instalación puede realizarse únicamente siguiendo el método de instalación que aparece en la página 17.
- La terminación TWHHORHOOD puede utilizarse en lugar de los codos como terminaciones del respiradero horizontales. No es necesario utilizar rejillas antipájaros con la terminación TWHHORHOOD. Vea página 17 para más información.
- Hacer la terminación el menos a 12" (300mm) por encima del nivel del piso o por encima de la línea de nieve.
- Hacer la terminación al menos a 7' (2.1m) por encima de vías públicas, a 6' (1.8m) de la entrada de aire de combustión de cualquier aparato y a 3' (0.9m) de otros canales, del contador de gas, regulador de reparación, etc.
- Hacer la terminación el menos a 3' (0.9m) por encima de cualquier entrada de aire forzado dentro de 10' (3m) , 1' (0.3m) por debajo, 1' (0.3m) horizontalmente o a 1' (0.3m) por encima de cualquier puerta, ventana o entrada de aire por gravedad en cualquier inmueble según el Código Nacional de Gas Combustible ANSI Z233.1/NFPA 54.
- Incline la ventilación horizontal 1/4" hacia arriba cada 12" (300mm) en dirección de la terminación.
- Use un desagüe de condensación si es necesario.
- En la Mancomunidad de Massachusetts es obligatorio utilizar un detector de monóxido de carbono para todos los equipos de gas con ventilación horizontal. Consulte el boletín técnico TB 010606 para conocer todas las instrucciones de instalación.

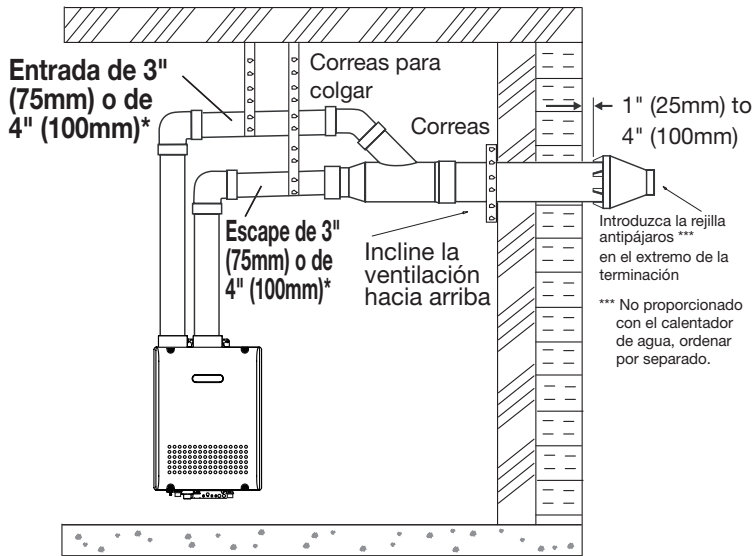
Terminación de la ventilación vertical- solo materiales PVC/CPVC



Cuando elija las terminaciones de entrada y escape, debe usar el mismo tipo de codo (es decir dos codos de 90°). Esto ayuda a obtener una combustión apropiada poniendo ambas terminaciones en la misma zona de presión.

- Como se ilustra a la izquierda, cerciórese de mantener una distancia de 3' (0.9m) o más entre la entrada y el escape cuando instale las tuberías de ventilación.
- La terminación TWHVERTCAP puede utilizarse en lugar de los codos como terminación del respiradero vertical. No es necesario utilizar rejillas antipájaros con la terminación TWHVERTCAP.
- Hacer la terminación al menos a 6' (1.8m) de la entrada de aire de combustión de cualquier aparato y a 3' (0.9m) de otros canales, del contador de gas, regulador de servicio, etc.
- Coloque los sistemas de ventilación externa debajo de la línea del techo para limitar la condensación y proteger contra fallos mecánicos.
- Cuando la ventilación entra en un piso o techo y no atraviesa un conducto a prueba de incendios, es obligatorio poner un cortafuegos y un soporte.
- Cuando la terminación de la ventilación está ubicada a no menos de 8' (2.4m) de la pared vertical u otra obstrucción, haga la terminación por encima del techo al menos a 2' (0.6m), pero no más de 6' (1.87m), según el Código Nacional de Gas Combustible ANSI Z233.1/NFPA 54.
- Coloque soportes verticales cada 3' (0.9m) o a la distancia indicada en las instrucciones de fabricante de la tubería de ventilación.
- Se recomienda una pequeña sección horizontal para evitar que los desechos caigan en el calentador de agua.
- Cuando use una sección horizontal, incline la ventilación horizontal 1/4" hacia arriba cada 12" (300mm) en dirección de la terminación del desagüe.

Terminación de la ventilación horizontal - 3" (75m) Terminación concéntrica PVC/CPVC



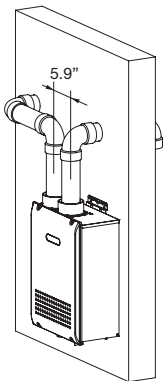
* En la tubería de 4" (100mm) es necesario usar un cople de reducción justo antes de la terminación.

- La terminación concéntrica TWHHORCONC podría acortarse pero no alargarse con respecto a su longitud original suministrada de fábrica. La terminación concéntrica solo puede usarse en terminaciones horizontales.
- La tubería de PVC o CPVC de 3" (75mm) o 4" (100mm) se puede usar en terminaciones concéntricas. Mantenga el mismo diámetro de la tubería de ventilación desde la chimenea hasta la terminación.
- Cuando use una tubería de 4" (100mm), será necesario usar coples de reducción de 4" (100mm) x 3" (75mm) y una pequeña sección de tubería de 3" (75mm) para conectar la terminación. Use una sección de tubería de no más de 6" (150mm) para hacer la conexión entre los coples de reducción y la terminación.
- Debe haber una separación de 1" (25mm) a 4" (100mm) entre la pared exterior y la sección de entrada de aire en la terminación como se ilustra a la izquierda.
- Instale una correa de seguridad para evitar movimientos en la terminación.
- Hacer la terminación el menos a 12" (300mm) por encima del nivel del piso o por encima de la línea de nieve.
- Hacer la terminación al menos a 7' (2.1m) por encima de vías públicas, a 6' (1.8m) de la entrada de aire de combustión de cualquier aparato y a 3' (0.9m) de otros canales, del contador de gas, regulador de servicio, etc.
- Hacer la terminación el menos a 3' (0.9m) por encima de cualquier entrada de aire forzado dentro de 10' (3m) , 1' (0.3m) por debajo, 1' (0.3m) horizontalmente o a 1' (0.3m) por encima de cualquier puerta, ventana o entrada de aire por gravedad en cualquier inmueble según el Código Nacional de Gas Combustible ANSI Z233.1/NFPA 54.
- Incline la ventilación horizontal 1/4" hacia arriba cada 12" (300mm).
- Use un desagüe de condensación si es necesario.
- En la Mancomunidad de Massachusetts es obligatorio utilizar un detector de monóxido de carbono para todos los equipos de gas con ventilación horizontal. Consulte el boletín técnico TB 010606 para conocer todas las instrucciones de instalación.

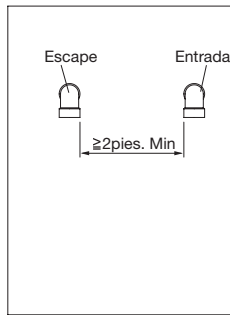
Instalación de la tubería de ventilación

Terminación de la ventilación horizontal- solo materiales PVC/CPVC

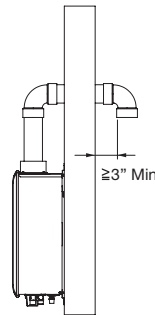
No utilice TWHORHOOD como una terminación del respiradero a menos que haya 3 pies. (0.9 m) o más de distancia entre el tubo de admisión y el tubo de escape.
Las instalaciones donde no puedan cumplirse 3 pies (0.9 m) de distancia, use codos de 90° como terminaciones del respiradero tal y como se muestra en las siguientes ilustraciones.



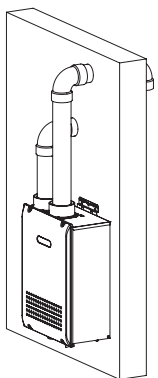
Vista interior



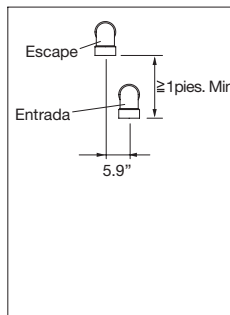
Vista exterior



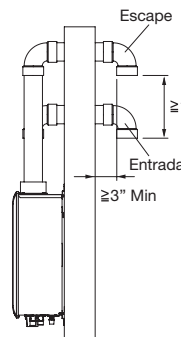
- La entrada y el escape deben estar orientados en la misma dirección. La entrada y el escape deben mantener la misma zona de presión.
- Introduzca la rejilla antipájaros. A 90° del ajuste vertical del codo (hacia abajo).
- Asegúrese que haya una distancia de al menos 3 pies (0.9m) o más entre el borde cercano de la tubería de entrada de aire o de la tubería de escape hasta el interior de la esquina de la pared.
- Asegúrese que haya una distancia de al menos 2 pies (0.6m) o más entre la tubería de entrada y la de escape. La distancia se mide por dentro de la tubería para la dimensión interna.



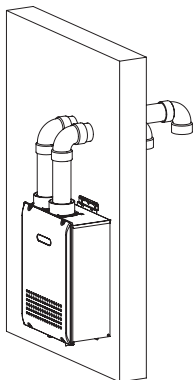
Vista interior



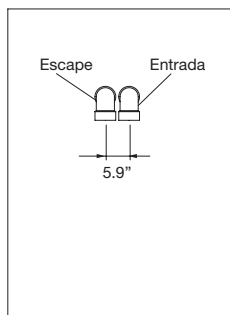
Vista exterior



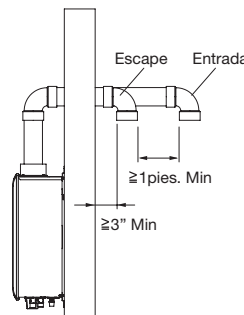
- La entrada y el escape deben estar orientados en la misma dirección. La entrada y el escape deben mantener la misma zona de presión.
- Introduzca la rejilla antipájaros. A 90° del ajuste vertical del codo (hacia abajo).
- Asegúrese que haya una distancia de al menos 3 pies (0.9m) o más entre el borde de la tubería de entrada de aire o la tubería de escape y la esquina de la pared.
- Arriba está el escape y debajo la entrada. La conexión a la inversa no está permitida.
- Asegúrese que haya una distancia de al menos 1 pie (0.3m) o más entre la tubería de entrada y la de escape. La distancia se mide en las salidas del puerto de entrada (terminal) y del puerto de escape (terminal).



Vista interior



Vista exterior



- La entrada y el escape deben estar orientados en la misma dirección. La entrada y el escape deben mantener la misma zona de presión.
- Introduzca la rejilla antipájaros. A 90° del ajuste vertical del codo (hacia abajo).
- Asegúrese que haya una distancia de al menos 3 pies (0.9m) o más entre el borde de la tubería de entrada de aire o la tubería de escape y la esquina de la pared.
- El lado alejado de la pared es la entrada, el lado cerca de la pared es el escape. La conexión a la inversa no está permitida.
- Asegúrese que haya una distancia de al menos 1 pie (0.3m) o más entre la tubería de entrada y la de escape. La distancia se mide por dentro de la tubería para la dimensión interna.



ADVERTENCIA

- Si la distancia entre las terminaciones de entrada de aire y el escape es muy corta, el calentador de agua atraerá los gases de escape a través de la entrada. Hay riesgos de entrada de aire de combustión en el calentador de agua, aumentando las emisiones de Monóxido de Carbono (CO) y de ruido debido a la vibración.
- Los codos de terminación deben estar orientados verticalmente, apuntando directamente hacia abajo. Intentar evitar que el aire de escape se introduzca por la entrada de aire cambiando de posición los codos de terminación aumentará el riesgo de congelación.
- No está permitido invertir las tuberías de entrada de aire y escape. Aumentarán las emisiones de Monóxido de Carbono (CO) y el ruido debido a la vibración.

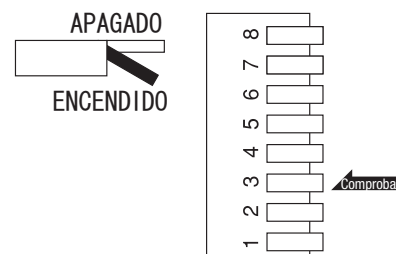
Instalación de la tubería de ventilación (cuando se suministra aire de combustión desde interiores (SV, ventilación indirecta))

PELIGRO

Al instalar este calentador de agua en un área con mucha pelusa, como por ejemplo en una lavandería comercial, deberá utilizarse el sistema de respiradero directo ("DV"). La configuración "-SV" (usando un kit de conversión SV) está prohibida.

- Desconecte la alimentación y encienda el interruptor dip 3 si se va a suministrar aire de combustión desde interiores como se ilustra a la derecha. Consulte la página 31 para la ubicación del banco de interruptores dip.
- El kit de conversión SV #SV-CK-3 es necesario para la entrada de aire. El kit de conversión SV #SV-CK-3 se encuentra tanto en el kit de instalación horizontal (TWHHORKIT) como en el kit de instalación vertical (TWHVERTKIT).

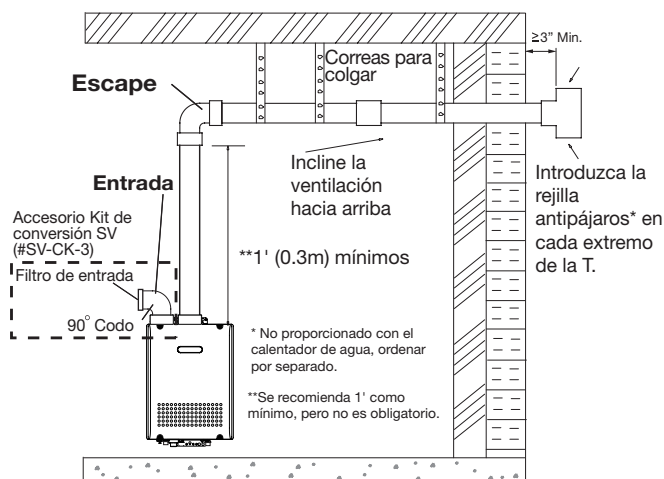
* Interruptor dip No.3 está encendido.



ADVERTENCIA

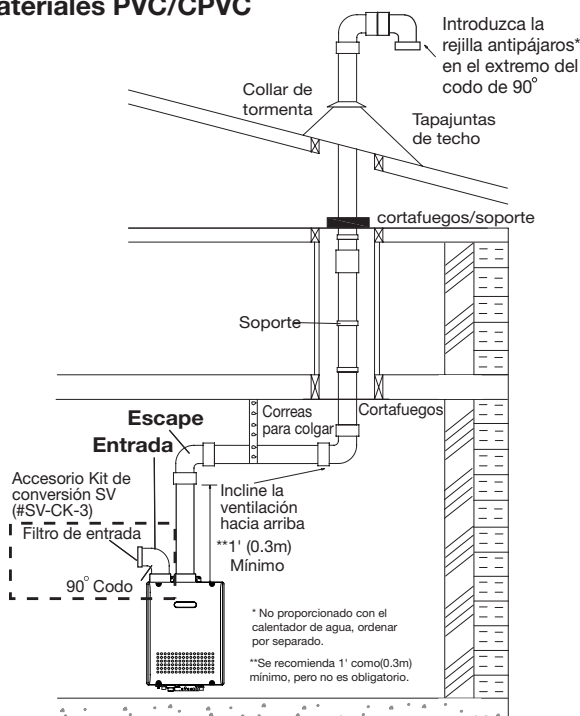
No realizar los 2 pasos anteriores puede provocar un incendio o explosión causado daños materiales, lesiones personales o la muerte. consulte las instrucciones proporcionadas con el kit de conversión para más detalles.

Terminación de la ventilación horizontal- solo materiales PVC/CPVC



- Un soporte, un codo de 90°, o la terminación TWHHORHOOD podría utilizarse para la terminación del respiradero. No es necesario utilizar rejillas antipájaros con la terminación TWHHORHOOD.
- Hacer la terminación el menos a 12" (300mm) por encima del nivel del piso o por encima de la línea de nieve.
- Hacer la terminación al menos a 7' (2.1m) por encima de vías públicas, a 6' (1.8m) de la entrada de aire de combustión de cualquier aparato y a 3' (0.9m) de otros canales, contador de gas, regulador de servicio, etc.
- Hacer la terminación el menos a 3' (0.9m) por encima de cualquier entrada de aire forzado dentro de 10' (3m) , 4' (1.2m) por debajo, 4' (1.2m) horizontalmente o a 1' (0.3m) por encima de cualquier puerta, ventana o entrada de aire por gravedad en cualquier inmueble según el Código Nacional de Gas Combustible ANSI Z233.1/NFPA 54.
- Incline la ventilación horizontal 1/4" hacia arriba cada 12" (300mm) en dirección de la terminación.
- Use un desagüe de condensación si es necesario.
- En la Mancomunidad de Massachusetts es obligatorio utilizar un detector de monóxido de carbono para todos los equipos de gas con ventilación horizontal. Consulte el boletín técnico TB 010606 para conocer todas las instrucciones de instalación.

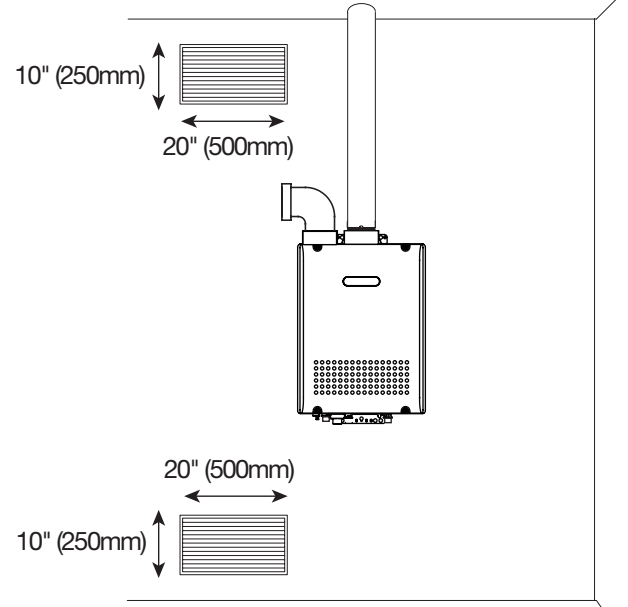
Terminación de la ventilación vertical- solo materiales PVC/CPVC



- La terminación TWHVERTCAP podría utilizarse en lugar de los codos como terminación del respiradero vertical.
- Hacer la terminación al menos a 6' (1.8m) de la entrada de aire de combustión de cualquier aparato y a 3' (0.9m) de otros canales, contador de gas, regulador de servicio, etc.
- Coloque los sistemas de ventilación externa debajo de la línea del techo para limitar la condensación y proteger contra fallos mecánicos.
- Cuando la ventilación entra en un piso o techo y no atraviesa un conducto a prueba de incendios, es obligatorio poner un cortafuegos y un soporte.
- Cuando la terminación de la ventilación está ubicada a no menos de 8' (2.4m) de la pared vertical u otra obstrucción, haga la terminación por encima del techo al menos a 2' (0.6m), pero no más de 6' (1.87m), según el Código Nacional de Gas Combustible ANSI Z233.1/NFPA 54.
- Coloque soportes verticales cada 3' (0.9m) o a la distancia indicada en las instrucciones del fabricante de la tubería de ventilación.
- Se recomienda una pequeña sección horizontal para evitar que los desechos caigan en el calentador de agua.
- Cuando use una sección horizontal, incline la ventilación horizontal 1/4" hacia arriba cada 12" (300mm) en dirección de la terminación del desagüe.

Aire de combustión Suministre aire de combustión a las unidades según el Código Nacional de Gas Combustible, ANSI cZ223.1.

- Habilite dos canales permanentes para permitir la circulación del aire de combustión.
- Haga cada canal de 199 pulgadas cuadradas si suministran aire de interiores, y de 100 pulgadas cuadradas para aire exterior.
- Si la unidad está instalada en un armario mecánico, deje una separación de 24" (600mm) desde el frente de la unidad hasta la puerta.
- Si se va a suministrar el aire de combustión a través de un conducto, ajústelo para proporcionar 60 pies cúbicos de aire fresco por minuto.



Canales que suministran aire interior

9. Tuberías de gas

Siga las instrucciones de su proveedor de gas.



⚠ PRECAUCIÓN

Las pautas y ejemplos que hemos proporcionado en esta sección del manual son sólo de referencia. La calibración y la instalación del sistema de gas para este calentador de agua, al igual que con otros aparatos de gas, es responsabilidad exclusiva del instalador. El instalador debe estar capacitado profesionalmente para realizar dichas tareas y siempre debe cumplir con las regulaciones y normas locales y nacionales. Los cálculos del dimensionamiento de la línea de gas deben realizarse para cada instalación. Póngase en contacto con Electrolux Home Products, Inc. en 1-888-360-8557 si tiene alguna pregunta o duda.

Tipo de gas

El tipo de gas indicado en la placa de características del calefactor de agua (NG o LP) debe coincidir con el tipo de gas suministrado al calentador de agua.

Conversiones de gas

Si el tipo de gas suministrado no coincide con el tipo de gas en la placa de características, solicite el reemplazo de la unidad con el tipo correcto de gas. Si debe realizarse una conversión del tipo de gas, existen kits de conversión disponibles para algunos modelos. [El kit de conversión debe ser instalado por un instalador/técnico de mantenimiento de Electrolux en conformidad con las instrucciones del fabricante y todos los códigos y requisitos aplicables de la autoridad que tenga jurisdicción. El instalador/técnico de mantenimiento autorizado de Electrolux es el responsable de la correcta instalación de este kit. La instalación incorrecta de este equipo invalidará la garantía.

Contador

El contador de gas debe adaptarse adecuadamente para el calentador de agua y otros aparatos de gas para su correcto funcionamiento. Seleccione un contador de gas capaz de suministrar toda la demanda de bthU de todos los aparatos de gas del edificio.

⚠ PRECAUCIÓN

Reguladores

Asegúrese de que todos los reguladores de gas utilizados funcionan bien y ofrecen presiones de gas dentro de los intervalos especificados por el calentador de agua instalado.

El exceso de presión de entrada de gas puede provocar accidentes graves.

⚠ ADVERTENCIA:

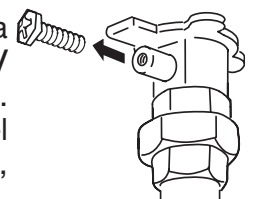
Presión

Compruebe la presión del suministro de gas inmediatamente en secuencia ascendente en una ubicación suministrada por la compañía de gas. La presión de gas suministrada debe estar dentro de los límites indicados en el apartado de especificaciones con todos los aparatos de gas en funcionamiento. La presión de gas de entrada debe estar dentro del intervalo especificado. Esto es para fines de ajuste de entrada.

La presión baja de gas puede provocar una pérdida de llama o fallos de encendido en otros aparatos de la casa, lo que puede producir gas no quemado en el hogar. Podrían producirse serios accidentes, como por ejemplo un incendio o explosión.

Medición de la presión de gas

Para comprobar la presión del suministro de gas en la unidad, se proporciona un grifo en la entrada de gas. Retire el tornillo **9/32" de cabeza hexagonal/tornillo Philips** del grifo y conecte un manómetro mediante un tubo de silicona. Abra al menos 2 elementos y mantenga pulsado el botón de presión máxima del colector de botón en la placa de circuito. Llame a Electrolux Home Products, Inc. para más información.



NOTA* Al comprobar la presión de suministro, asegúrese de que todos los demás aparatos de gas se encuentran encendidos y en funcionamiento.

ADVERTENCIA:

Prueba de presión

Debe comprobarse la existencia de fugas en el aparato y en sus conexiones antes de colocar el aparato en funcionamiento. El aparato debe estar aislado del sistema de tubos de suministro de gas mediante la válvula de cierre manual individual durante cualquier prueba de presión del suministro de gas en el sistema de tubos a presiones de prueba iguales o inferiores a 1/2 psi (3,5 kPa). No recomendamos pruebas de presión que sobrepasen los 1/2 psi (3,5 kPa). Si es necesario hacerlo, el aparato y su válvula de cierre individual deben estar completamente desconectados del sistema de tubos de suministro de gas durante el proceso de la prueba.

Dimensionamiento de tubo/Conectores flexibles

Una válvula de cierre de gas debe ser instalada en la línea de suministro. Las líneas de gas flexibles no se recomiendan a menos que el diámetro interior mínimo sea de 3/4" o superior y la capacidad nominal del conector sea igual o superior a la capacidad BTU del calentador de agua. La tubería de gas debe estar en conformidad con los requisitos de la empresa de servicios local y/o en ausencia de estos códigos, utilice la última edición del código de gas combustible (NFPA54GC), ANSI Z223.1. Cree la línea de gas de acuerdo con la demanda total del edificio y de longitud desde el contador o regulador de tal modo que las siguientes presiones de suministro estén disponible incluso bajo demanda máxima.

Presión de suministro de gas natural

Mín. 4" WC

Máx. 10.5" WC

Presión de suministro de gas LP

Mín. 8" WC

Máx. 14" WC

Herramientas de referencia y cálculos de muestra

PRECAUCIÓN

Las tablas y las muestras siguientes son solo de referencia. El profesional que dimensione e instale la línea de gas debe siempre realizar los cálculos adecuados antes de toda instalación.

Qué tabla utilizar

- Para instalaciones NG con la presión de suministro inicial en el punto de entrega (en el contador, por ejemplo) es menor de 8" WC, use la tabla de caída de presión 0.5" WC (Tabla 1).
- Para instalaciones de GN con la presión de suministro inicial en el punto de entrega mayor o igual a 8" WC, use la tabla de caída de presión 3.0" WC (Tabla 2).
- Para todas las instalaciones de LP utilice (Tabla 3)

La presión de entrada debe ser de al menos 5" WC para GN u 8" WC para todos los aparatos del sistema de gas. Si la entrada de presión de gas cae por debajo de los 5" WC para GN u 8" WC para LP, el calentador podría continuar funcionando, pero los demás aparatos del hogar podrían experimentar una pérdida de llama o fallos en la ignición, lo que puede resultar en fugas de gas en el hogar. Consulte NFPA 54 para más detalles.

Póngase en contacto con Electrolux Home Products, Inc. para más información. Para tablas de capacidad de tubos de acero inoxidable corrugado (CSST), póngase en contacto con el fabricante.

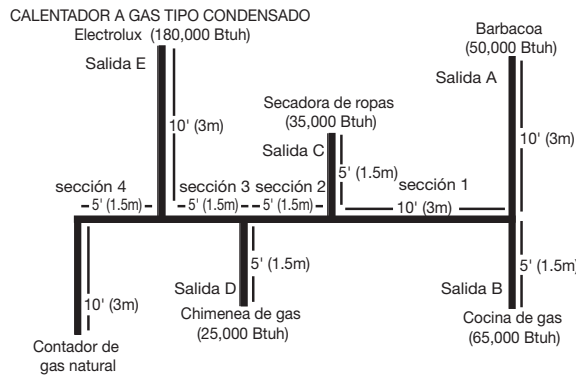
Tabla 1. Para menos de 8" WC de presión de suministro inicial

Capacidad máxima de entrega de gas natural (caída de presión de 0.5") [Schedule 40 Metallic Pipe]

Tamaño de la tubería	Longitud (incluyendo accesorios)										
	10' (3m)	20' (6m)	30' (9m)	40' (12m)	50' (15m)	60' (18m)	70' (21m)	80' (24m)	90' (27m)	100' (30m)	125' (38m)
3/4"	360	247	199	170	151	137	126	117	110	104	92
1"	678	466	374	320	284	257	237	220	207	195	173
1 1/4"	1,390	957	768	657	583	528	486	452	424	400	355
1 1/2"	2,090	1,430	1,150	985	873	791	728	677	635	600	532
2"	4,020	2,760	2,220	1,900	1,680	1,520	1,400	1,300	1,220	1,160	1,020
2 1/2"	6,400	4,400	4,400	3,020	2,680	2,430	2,230	2,080	1,950	1,840	1,630
3"	11,300	7,780	7,780	5,350	4,740	4,290	3,950	3,760	3,450	3,260	2,890
4"	23,100	15,900	12,700	10,900	9,660	8,760	8,050	7,490	7,030	6,640	5,890

Los valores de la tabla están en pies cúbicos de gas por hora (gravedad específica 0.60, caída de presión 0.5", presión de entrada de menos de 2psi). Póngase en contacto con su proveedor para clasificaciones BTU/Pies cúbicos. Para simplificar sus cálculos, 1 pie cúbico de gas es equivalente a aproximadamente 1,000 BTU.

Ejemplo de línea de gas



Instrucciones

1. Ajuste cada ramal de salida comenzando por el más alejado usando el Btuh requerido y la longitud desde el contador.
2. Ajuste cada sección de la línea principal usando la longitud hasta la salida más alejada y el Btuh requerido en esa sección.

Ejemplo de cálculo (Usar La tabla de trago de presión de 0.5" WC)

- Salida A: 45' (13.5m) (Use 50' (15m)), 50,000 Btuh requires 1/2"
- Salida B: 40' (12m), 65,000 Btuh requires 1/2"
- Sección 1: 45' (13.5m) (Use 50' (15m)), 115,000 Btuh requires 3/4"
- Salida C: 30' (9m), 35,000 Btuh requires 1/2"
- Sección 2: 45' (13.5m) (Use 50' (15m)), 150,000 Btuh requires 3/4"
- Salida D: 25' (7.5m) (Use 30' (9m)), 25,000 Btuh requires 1/2"
- Sección 3: 45' (13.5m) (Use 50' (15m)), 175,000 Btuh requires 1"
- Salida E: 25' (7.5m) (Use 30' (9m)), 180,000 Btuh requires 3/4"
- Sección 4: 45' (13.5m) (Use 50' (15m)), 355,000 Btuh requires 1-1/4"

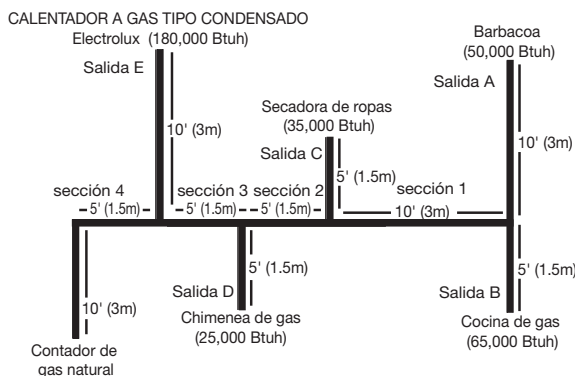
Tabla 2. Para 8" WC – 10.5" WC de presión de suministro inicial

Capacidad máxima de entrega de gas natural (caída de presión de 3.0") [Schedule 40 Metallic Pipe]

Tamaño de la tubería	Longitud (incluyendo accesorios)										
	10' (3m)	20' (6m)	30' (9m)	40' (12m)	50' (15m)	60' (18m)	70' (21m)	80' (24m)	90' (27m)	100' (30m)	125' (38m)
1/2"	454	312	250	214	190	172	158	147	138	131	116
3/4"	949	652	524	448	397	360	331	308	289	273	242
1"	1,787	1,228	986	844	748	678	624	580	544	514	456
1 1/4"	3,669	2,522	2,025	1,733	1,536	1,392	1,280	1,191	1,118	1,056	936
1 1/2"	5,497	3,778	3,034	2,597	2,302	2,085	1,919	1,785	1,675	1,582	1,402
2"	10,588	7,277	5,844	5,001	4,433	4,016	3,695	3,437	3,225	3,046	2,700
2 1/2"	16,875	11,598	9,314	7,971	7,065	6,401	5,889	5,479	5,140	4,856	4,303
3"	29,832	20,503	16,465	14,092	12,489	11,316	10,411	9,865	9,087	8,584	7,608
4"	43,678	30,020	24,107	20,632	18,286	16,569	15,243	14,181	13,305	12,568	11,139

Los valores de la tabla están en pies cúbicos de gas por hora (gravedad específica 0.60, caída de presión 3.0", 8.0" WC o presión de suministro mayor, presión de entrada de menos de 2psi). Póngase en contacto con su proveedor para clasificaciones BTU/Pies cúbicos. Para simplificar sus cálculos, 1 pie cúbico de gas es equivalente a aproximadamente 1,000 BTU.

Ejemplo de línea de gas



Instrucciones

1. Ajuste cada ramal de salida comenzando por el más alejado usando el Btuh requerido y la longitud desde el contador.
2. Ajuste cada sección de la línea principal usando la longitud hasta la salida más alejada y el Btuh requerido en esa sección.

Ejemplo de cálculo (Usar La tabla de trago de presión de 3.0" WC)

- Salida A: 45' (13.5m) (Use 50' (15m)), 50,000 Btuh requires 1/2"
- Salida B: 40' (12m), 65,000 Btuh requires 1/2"
- Sección 1: 45' (13.5m) (Use 50' (15m)), 115,000 Btuh requires 1/2"
- Salida C: 30' (9m), 35,000 Btuh requires 1/2"
- Sección 2: 45' (13.5m) (Use 50' (15m)), 150,000 Btuh requires 1/2"
- Salida D: 25' (7.5m) (Use 30' (9m)), 25,000 Btuh requires 1/2"
- Sección 3: 45' (13.5m) (Use 50' (15m)), 175,000 Btuh requires 1/2"
- Salida E: 25' (7.5m) (Use 30' (9m)), 180,000 Btuh requires 1/2"
- Sección 4: 45' (13.5m) (Use 50' (15m)), 355,000 Btuh requires 3/4"

Tabla 3. Propano sin diluir máximo (PL) capacidad de entrega en miles de BtuH (caída de presión 0.5" WC) [Schedule 40 Metallic Pipe]

Tamaño de la tubería	Longitud (incluyendo accesorios)												
	10' (3m)	20' (6m)	30' (9m)	40' (12m)	50' (15m)	60' (18m)	70' (21m)	80' (24m)	90' (27m)	100' (30m)	125' (38m)	150' (45m)	200' (60m)
1/2"	275	189	152	129	114	103	96	89	83	78	69	63	55
3/4"	567	393	315	267	237	217	196	185	173	162	146	132	112
1"	1,071	732	590	504	448	409	378	346	322	307	275	252	213
1 1/4"	2,205	1,496	1,212	1039	913	834	771	724	677	630	567	511	440
1 1/2"	3,307	2,299	1,858	1,559	1,417	1,275	1,181	1,086	1,023	976	866	787	675
2"	6,221	4,331	3,465	2,992	2,646	2,394	2,205	2,047	1,921	1,811	1,606	1,496	1,260

Sólo para referencia. Consulte con el fabricante del tubo de gas para las capacidades reales del tubo.

 **ADVERTENCIA:**

Comprobación final

Una vez completada la instalación, verifique que la entrada de presión de gas de todo el sistema de gas no baje de 5" WC para GN u 8" WC para LP en todos los aparatos. Esto se puede comprobar encendiendo todos los aparatos de gas de combustión, incluyendo el calentador de agua y, a continuación, compruebe la presión de entrada en cada aparato para verificar que todos los aparatos estén recibiendo un mínimo de 5" WC para GN u 8" WC para LP. Si todos los aparatos no están recibiendo la presión de entrada mínima podría ser necesario cambiar el sistema de la tubería de gas.

10. Tuberías de agua

La instalación y las reparaciones deben ser realizadas por un plomero calificado. En la Mancomunidad de Massachusetts, este producto lo debe instalar un plomero o instalador de gas certificado según el código de plomería y gas combustible de Massachusetts 248 CMR Secciones 2.00 y 5.00. Respete todos los códigos aplicables



Este aparato está diseñado para la combinación de agua potable y calefacción. No se puede usar solamente como calefacción. No utilice este aparato si alguna de sus partes ha estado bajo el agua. Llame inmediatamente a un técnico calificado para inspeccionar el aparato y cambie cualquier pieza del sistema de control y ajuste de gas que haya estado bajo el agua.

Si el calentador de agua se encuentra instalado en un sistema cerrado de suministro de agua, como por ejemplo uno que tenga un desconector en la línea de suministro de agua fría, se deben proporcionar los medios para controlar la expansión térmica. Póngase en contacto con el proveedor de agua o un inspector local de fontanería para conocer cómo controlar esta situación.

Se puede instalar una válvula de alivio de presión cerca de la salida de agua caliente que tenga capacidad y cumpla con las normas para válvulas de alivio y dispositivos de cierre automático para los sistemas de suministro de agua caliente, ANSI Z21.22, o el Código de Calderas y Recipientes a Presión ANSI/ASME, sección IV (calderas de calefacción). La válvula de alivio de presión debe ser capaz de sostener temperaturas de descarga de vapor de 180,000 Btuh. Se pueden usar varias válvulas. La capacidad de alivio de presión no debe exceder los 150 psig. No se debe colocar ninguna válvula entre la válvula de alivio y el calentador de agua. La válvula de alivio se debe instalar de forma tal que la descarga sea enviada a un lugar adecuado para su eliminación cuando se produzca el alivio. No se debe instalar un acoplamiento de reducción u otra restricción en la línea de descarga. La línea de descarga se debe instalar de forma tal que permita un desagüe completo de la válvula y la tubería. Si esta unidad se instala con un depósito independiente, deberá tener su propia válvula de alivio de temperatura y presión. Esta válvula también debe cumplir con las normas para válvulas de alivio y dispositivos de cierre automático para los sistemas de suministro de agua caliente, ANSI Z21.22 (en Estados Unidos solamente). La válvula de alivio de temperatura no es obligatoria, pero si se usa alguna, no la instale con la sonda directamente en el flujo de agua. Esto puede provocar una descarga innecesaria de la válvula.

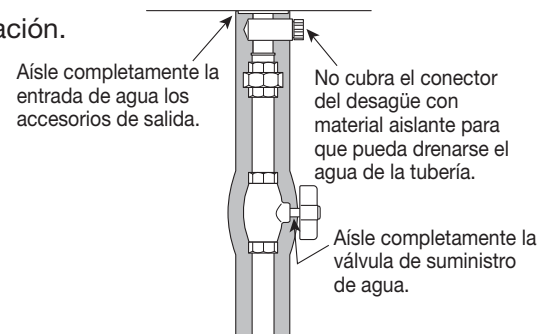
Las tuberías y sus componentes conectados al calentador de agua deben ser apropiados para su uso con agua potable.

Productos químicos como los utilizados en el tratamiento del agua de calderas no se introducirán en el agua potable.

Un calentador de agua usado para suministrar agua potable probablemente no se pueda conectar a ningún sistema o componentes de calefacción usados anteriormente con algún calentador de agua no potable.

Cuando alguna parte del sistema necesita el agua a una temperatura superior que en el resto del sistema, se deben instalar medios como la válvula mezcladora para suavizar el agua y reducir el peligro de quemaduras.

- Descargue el agua a través de la tubería para limpiar el polvo de metal, la arena y la suciedad antes de conectarla.
- Ejecute las siguientes medidas de aislamiento para prevenir la congelación.
 - Tome las medidas adecuadas de aislamiento de calor (por ejemplo, envolver con materiales de aislamiento térmico, uso de calentadores eléctricos) según el clima de la región para evitar que se congelen las tuberías.
 - Cerciórese de que no haya fugas de agua de las tuberías de suministro de agua fría y caliente, y aisle completamente las tuberías.
 - También asegúrese de aislar completamente la válvula de suministro de agua y las conexiones de agua fría y caliente en el calentador de agua (Consulte la figura a la derecha).
 - No cubra el conector del desagüe con material aislante para que pueda drenarse el agua de la tubería. (Consulte la figura a la derecha.)
- Use una unión de acoplamiento o tubería flexible para hacer la conexión y reducir la fuerza aplicada a las tuberías.
- No use tuberías con un diámetro menor que el acoplamiento.
- Cuando la presión del agua de alimentación es muy alta, introduzca una válvula de purga, o tome medidas de prevención del golpe de ariete.
- Evite el uso de juntas en la medida de lo posible para mantener el sistema de tuberías simple.
- Evite que en el sistema de tuberías se produzca una retención de aire.
- Si se instala la unidad en el techo:
 - Si la unidad se instala en el techo para suministrar agua a niveles inferiores, asegúrese de que la presión de agua suministrada a la unidad no sea menor que 29 psi. Podría ser necesario instalar un sistema de bombeo para asegurar que la presión de agua se mantenga a este nivel.
 - Compruebe la presión antes de poner la unidad en funcionamiento.
 - No suministrar la presión adecuada a la unidad, puede provocar que el funcionamiento sea ruidoso, que el tiempo de vida útil sea más corto y que la unidad se apague con frecuencia.



Tuberías de suministro de agua

- No use PVC, hierro o tubería que haya sido tratada con cromatos, sello de caldera u otras sustancias químicas.
- Monte una válvula de retención y una de cierre (cerca de la entrada).
- Para que el cliente use el calentador de agua cómodamente se necesita de 98.1 a 491 kPa (14 a 70 PSI) de presión del suministro de agua.
Asegúrese de comprobar la presión del agua. Si la presión del agua es baja, el calentador de agua no puede funcionar a toda su capacidad, y puede convertirse en una fuente de problemas para el cliente.

Tuberías de desagüe

- El agua de expansión puede caer de la válvula de alivio de presión y mojar el piso.
Si es necesario, coloque tuberías de desagüe o use una manguera de desagüe para quitar el agua.

Tuberías de agua caliente 800-299-9470

- No use PVC, hierro o tubería que haya sido tratada con cromatos, sello de caldera u otras sustancias químicas.
- Cuanto más larga sean las tuberías, mayor pérdida de calor. Trate de hacer el sistema de tuberías lo más corto posible.
- Use válvulas mezcladoras con poca resistencia al agua. Use cabezas de ducha con pérdida de presión baja.
- Si es necesario, use una bomba u otro medio para asegurar que la presión de suministro de agua a la entrada del calentador no baje a menos de 29 PSI en el momento de demanda máxima de agua. También instale un contador de presión en la entrada. Si esto no se hace, se producirá una ebullición local dentro del calentador de agua provocando sonidos anormales y reduciendo la durabilidad del intercambiador de calor.

Prevención de congelación

- La congelación se previene automáticamente dentro del aparato a menos que la temperatura exterior sin viento esté por debajo de -30°F (-35°C).
* Cuando el aire de combustión se suministra desde interiores, la temperatura ambiente debe estar por encima de 32°F (0°C) para evitar el congelamiento y el espacio no debe tener presión negativa.
- Si este modelo se instala en un área donde la temperatura exterior puede acercarse a las condiciones de congelación de -30°F (-35°C) o menos, entonces se deben proporcionar medidas de protección adicionales. Para conocer las medidas de protección contra congelación, consulte el manual de uso y cuidado.
- Los calentadores de prevención contra congelación no evitan que las tuberías externas de la unidad se congelen.
Proteja estas tuberías con aislamiento, cinta térmica, solenoides o cubiertas de tuberías.
- Para que los calentadores de prevención contra congelación funcionen, el calentador de agua debe estar conectado a la alimentación a todo momento.

Tratamiento del agua

Si este calentador de agua se va a instalar en una conexión donde el agua que se suministra es dura, se debe tratar el agua con suavizador de agua o inhibidor de incrustaciones. Consulte las siguientes tablas para las medidas de tratamiento y mantenimiento que se deben tomar según el nivel de dureza del agua. Los daños en el calentador de agua provocados agua con una dureza por encima de 12 gpg (200 mg/L) no están cubiertos en la garantía de Electrolux Home Products, Inc.

Nota: Los suavizadores de agua pueden estar regulados por la jurisdicción local de agua, consulte con el fabricante los códigos, mediciones y normas de instalación ; el siguiente diagrama es solo como referencia.

Normas de tratamiento para uso residencial

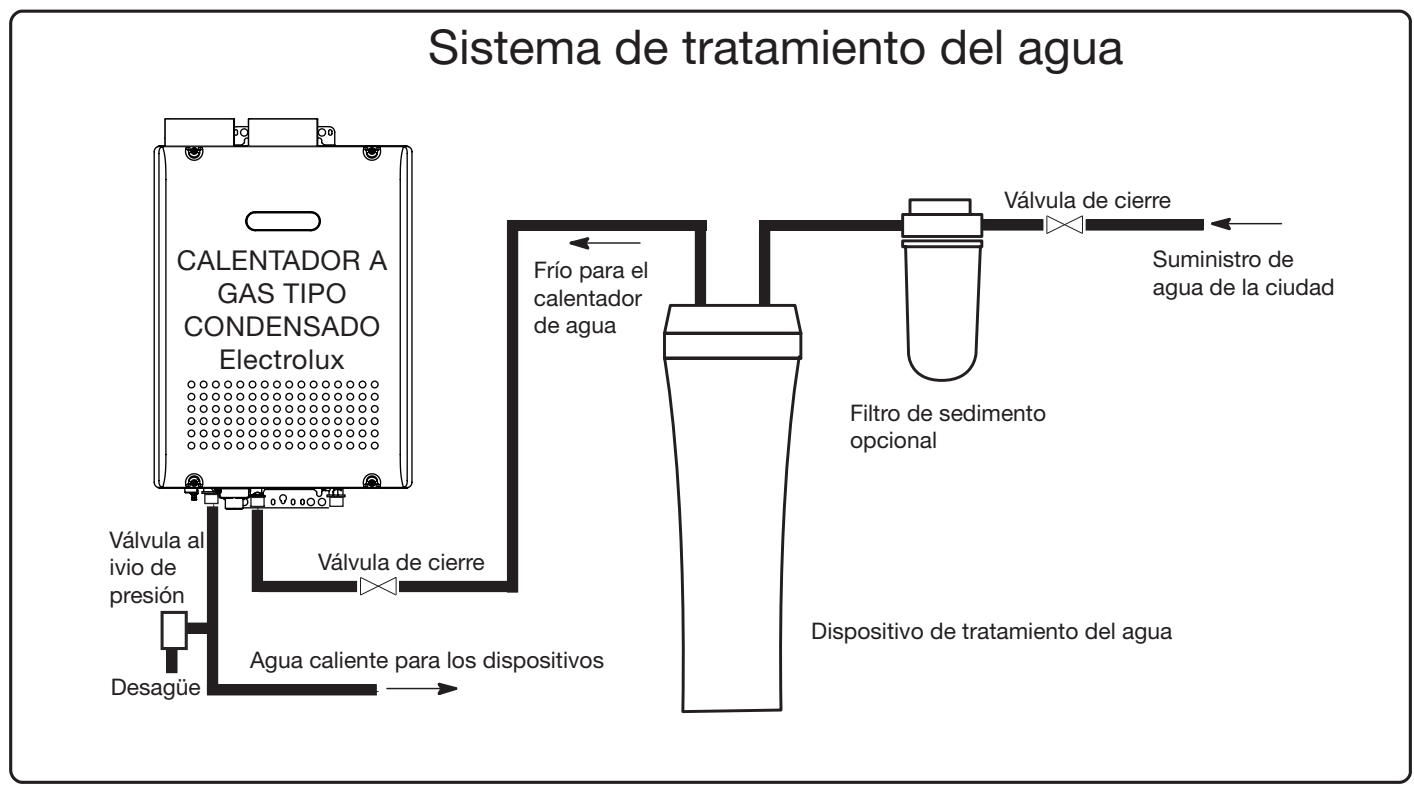
Tipo de agua	Nivel de dureza	Dispositivo de tratamiento	Frecuencia de vaciado*
Suave	0-1 gpg (0-17 mg/L)	Ninguno	Ninguno
Ligeramente dura	1-3 gpg (17-51 mg/L)	Ninguno	Ninguno
Moderadamente dura	3-7 gpg (51-120 mg/L)	Inhibidor de descalcificación	Una vez al año**
Dura	7-10 gpg (120-171 mg/L)	Inhibidor de descalcificación	Una vez al año**
Muy dura	10-14 gpg (171-239 mg/L)	Inhibidor de descalcificación	Tratamiento requerido
Extremadamente dura	> 14 gpg (> 239 mg/L)	Inhibidor de descalcificación	Tratamiento requerido

Normas de tratamiento para uso comercial

Tipo de agua	Nivel de dureza	Dispositivo de tratamiento	Frecuencia de vaciado*
Suave	0-1 gpg (0-17 mg/L)	Ninguno	Ninguno
Ligeramente dura	1-3 gpg (17-51 mg/L)	Ninguno	Ninguno
Moderadamente dura	3-7 gpg (51-120 mg/L)	Inhibidor de descalcificación	Una vez al año**
Dura	7-10 gpg (120-171 mg/L)	Inhibidor de descalcificación	Dos veces al año**
Muy dura	10-14 gpg (171-239 mg/L)	Inhibidor de descalcificación	Tratamiento requerido
Extremadamente dura	> 14 gpg (> 239 mg/L)	Inhibidor de descalcificación	Tratamiento requerido

* Instale válvulas de aislamiento para permitir el vaciado.
 ** El vaciado es obligatorio si no se instala un dispositivo para el tratamiento del agua.

* Instale válvulas de aislamiento para permitir el vaciado.
 ** El vaciado es obligatorio si no se instala un dispositivo para el tratamiento del agua.

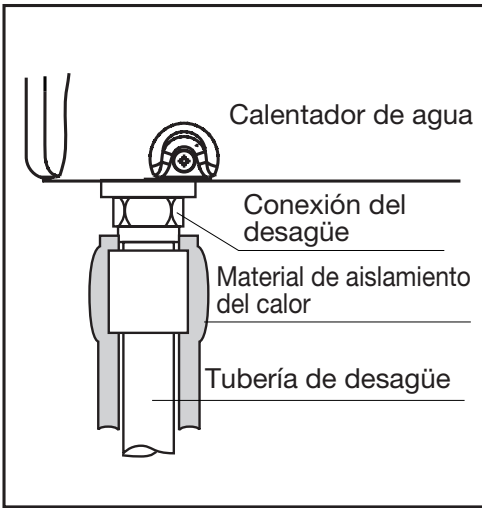


11. Tuberías de condensado

PRECAUCIÓN

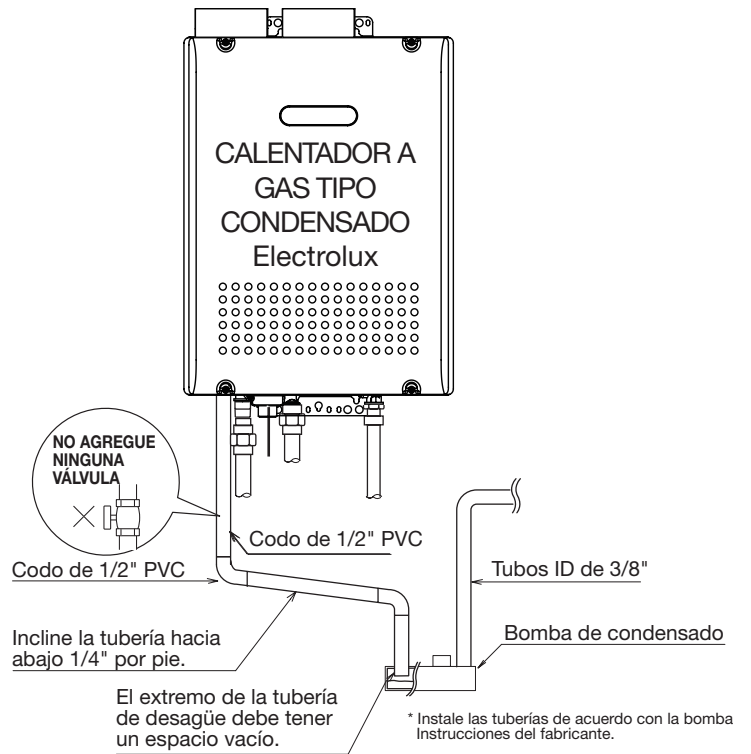
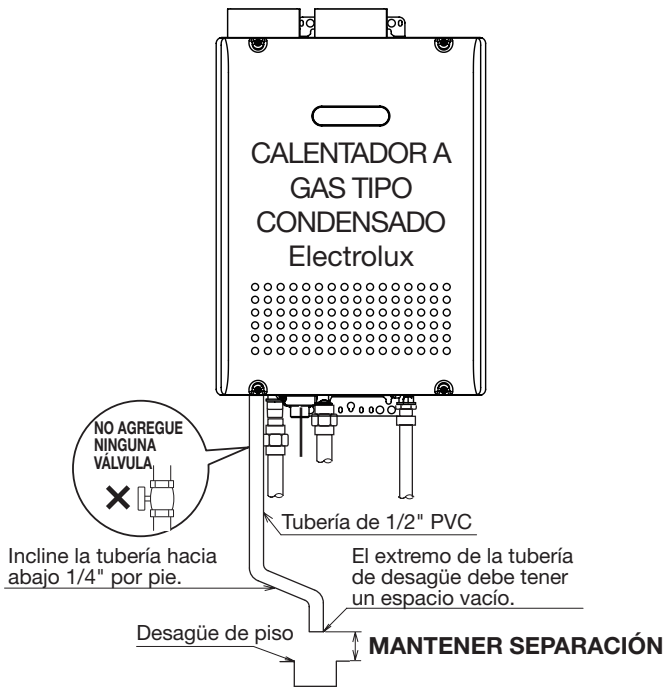
Debido al carácter ácido del condensado, asegúrese de drenar adecuadamente y si es necesario, tratar el condensado antes de su eliminación. Los daños causados por el uso incorrecto del condensado no están cubiertos en la garantía.

- Este calentador de agua es un aparato de alta eficacia con condensación total que produce condensado ácido durante el funcionamiento. El calentador de agua incorpora un sistema de recogida y eliminación que debe drenarse adecuadamente para asegurar su funcionamiento correcto.
- El nivel de pH del condensado es de aproximadamente 2-3. Se debe instalar un neutralizador externo en las tuberías de desagüe cuando el código local lo exija o cuando el condensado pueda provocar daños.
- Si se instala un neutralizador externo, será necesario cambiar periódicamente el agente neutralizante. Consulte las instrucciones proporcionadas con el neutralizador para conocer los intervalos de cambio.
- Para drenar el condensado, se proporciona una conexión con rosca de 1/2" en la base del calentador de agua.
No reduzca el tamaño de este accesorio o de las tuberías de desagüe a menos de 1/2".
En climas fríos, no drene el condensado hacia el exterior. Si la tubería de desagüe se congela con el agua fría, la tubería no drenará el condensado y la unidad dejará de funcionar.
- Use tuberías plásticas, como la PVC, para la línea de desagüe. No use acero, hierro negro u otro material que pueda corroerse cuando se ponga en contacto con el condensado ácido
- Mantenga la longitud de la tubería de desagüe lo más corta posible. En tramos largos o conexiones donde el desagüe más cercano esté por encima del calentador de agua será necesario usar una bomba de condensado. Ajuste la bomba para permitir una descarga de condensado máximo de 2 GPM desde el calentador de agua.
- Los tramos horizontales se deben inclinar 1/4" por pie en dirección a la bomba de desagüe o condensado. El condensado se descargará solamente por gravedad. Haga el tramo de la tubería de desagüe lo más corto posible.
- El extremo de la tubería de desagüe no debe estar sumergido en agua o bloqueado de ninguna forma. Para asegurar un drenaje correcto, deje el extremo de la tubería de desagüe abierto al exterior. No tiene un sifón. También asegúrese de que no haya obstrucciones bloqueando la descarga de condensado en la línea de desagüe.
- Asegúrese de comprobar que el condensado fluye libremente por la tubería de desagüe cuando el sistema se haya instalado. El condensado comenzará a salir del calentador de agua a los 15 minutos de funcionamiento.
- Tome medidas para evitar que las líneas de desagüe se congelen (aislamiento, cinta térmica, calentadores eléctricos, etc.).



Tuberías de condensado para el desagüe de piso.

Tuberías de condensado con bomba

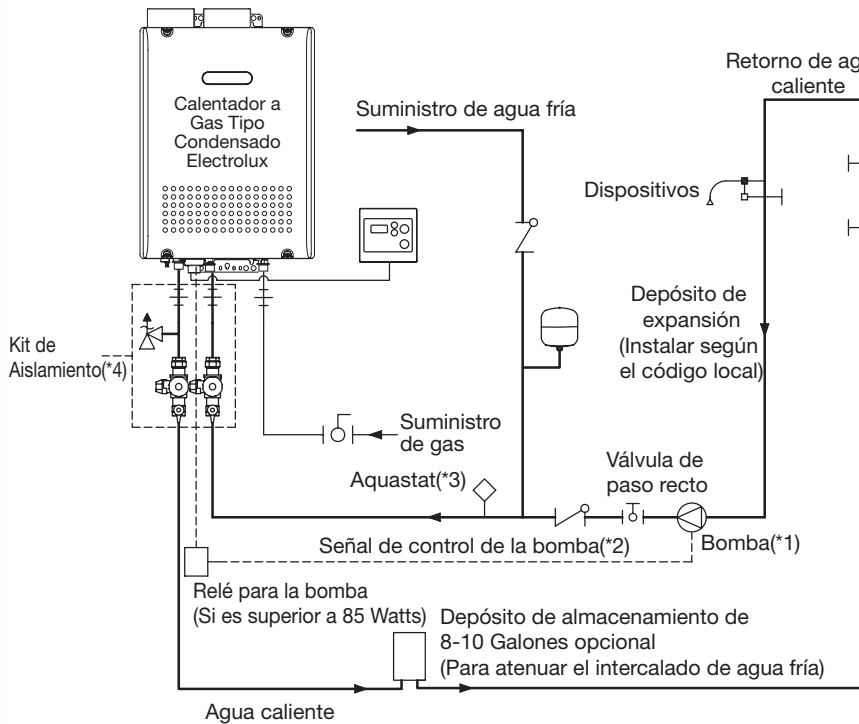


Nota:

Si la línea de drenaje se obstruye o se congela, el condensado regresará al calentador de agua y aparecerá parpadeando el código de error "29" en el control remoto y se detendrá el funcionamiento. Si esto sucede, quite la obstrucción o congelación para que el condensado pueda fluir libremente. Asegúrese de inclinar la tubería de desagüe, use la tubería con la longitud correcta, deje la separación adecuada, y aplique medidas de prevención contra congelación (si es necesario) para evitar que la tubería de desagüe se obstruya o congele.

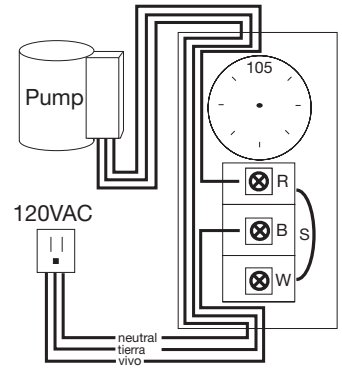
12. Conexiones de las tuberías

Sistema de recirculación



Notas:

1. Ajuste la bomba para proporcionar un máximo de 2 GPM (7.5 L/min.) a través del sistema a 10 pies (3m) a las pérdidas de presión. Ajuste el flujo usando una válvula de paso recto y verifique el caudal con los monitores de mantenimiento.
2. El método preferido para controlar la recirculación de la bomba es la señal de control de la bomba. Se debe usar una conexión de relé en bombas superiores a 85W Si no se usa la señal de control de la bomba, se puede usar un Aquastat para controlar la bomba.
3. Use el Aquastat si el calentador de agua no controla la bomba. Ajuste el Aquastat a 10°F (5°C) por debajo de la temperatura de salida.
4. Electrolux recomienda el uso de un Kit de Aislamiento con la instalación. Estos kits incluyen una válvula de cierre y reparación integrada con las uniones y una válvula alivio de presión.

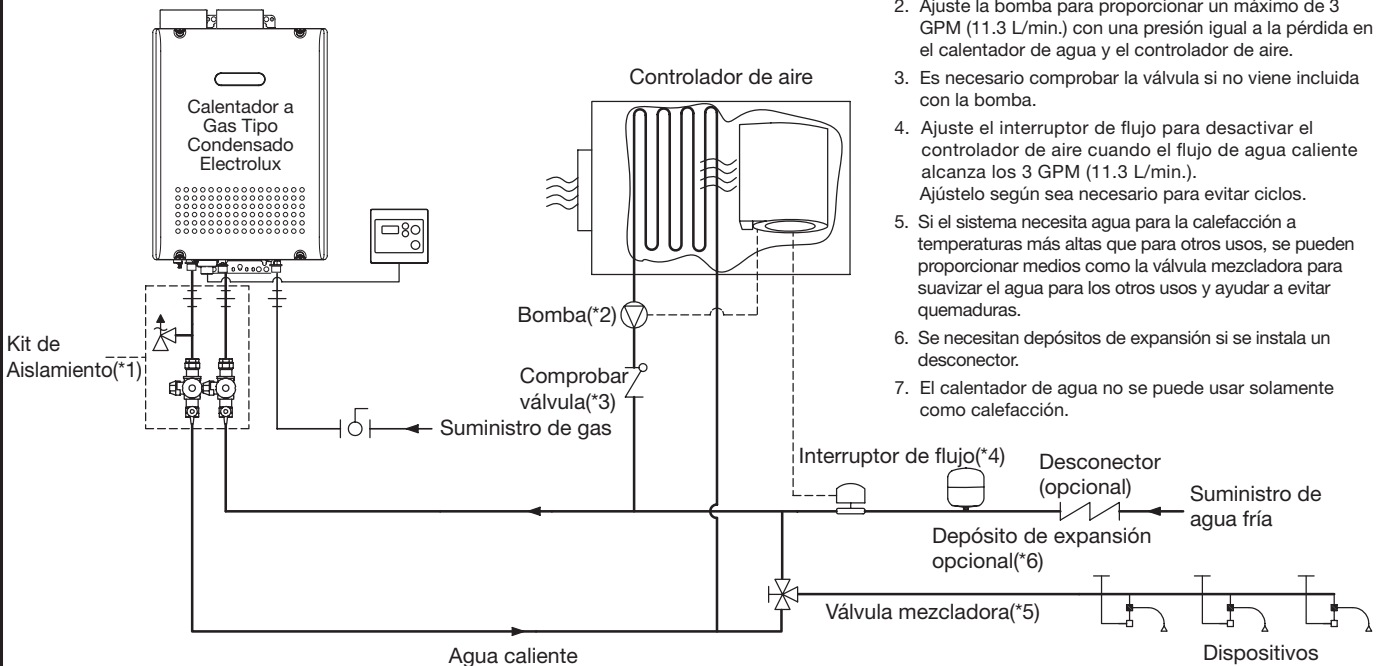


Cableado de Aquastat
Use el Aquastat Honeywell
(Modelo L6006A o L6006C)

Sistema de combinación de agua potable y calefacción

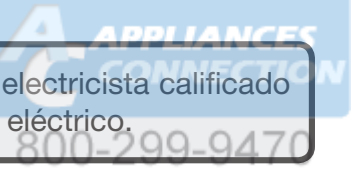
Notas:

1. Electrolux recomienda el uso de un Kit de Aislamiento con la instalación. Estos kits incluyen una válvula de cierre y reparación integrada con las uniones y una válvula alivio de presión.
2. Ajuste la bomba para proporcionar un máximo de 3 GPM (11.3 L/min.) con una presión igual a la pérdida en el calentador de agua y el controlador de aire.
3. Es necesario comprobar la válvula si no viene incluida con la bomba.
4. Ajuste el interruptor de flujo para desactivar el controlador de aire cuando el flujo de agua caliente alcanza los 3 GPM (11.3 L/min.). Ajustelo según sea necesario para evitar ciclos.
5. Si el sistema necesita agua para la calefacción a temperaturas más altas que para otros usos, se pueden proporcionar medios como la válvula mezcladora para suavizar el agua para los otros usos y ayudar a evitar quemaduras.
6. Se necesitan depósitos de expansión si se instala un desconector.
7. El calentador de agua no se puede usar solamente como calefacción.



13. Cableado eléctrico

Consulte a un electricista calificado para el trabajo eléctrico.



Desconecte la alimentación

No conecte la la fuente de alimentación a la unidad hasta que se haya completado todo el cableado eléctrico.

Este aparato debe estar conectado a tierra según los códigos locales, o en su ausencia, con el Código Eléctrico Nacional, ANSI/NFPA 70

Precaución: Marque todos los cables antes de desconectarlos cuando se le haga mantenimiento. Los errores en el cableado pueden provocar funcionamientos incorrectos y peligrosos.

Después del mantenimiento, verifique que el funcionamiento sea correcto.

Cableado de campo que se debe realizar en el momento de la instalación del aparato.



ADVERTENCIA:

Peligro de descarga eléctrica

No encienda el aparato hasta que no haya terminado el cableado eléctrico. Desconecte la alimentación antes del mantenimiento.

Si no lo hace puede provocar la muerte o lesiones graves por descarga eléctrica.

- El suministro eléctrico que necesita el calentador de agua es de 120VAC a 60 Hz.

El consumo eléctrico puede ser de hasta 291W o mayor si se usan accesorios opcionales.

Use un circuito adecuado.

- No desconecte la alimentación cuando no se esté usando. Cuando está apagado no se activa la prevención contra congelación lo que puede provocar posibles daños de congelación.

- No permita que el cable eléctrico haga contacto con las tuberías de gas.

Amarre el cable sobrante por fuera del calentador de agua. Si pone el cable sobrante dentro del calentador de agua puede provocar interferencias eléctricas y un funcionamiento defectuoso.

Tierra

- Para evitar descargas eléctricas, proporcione una tierra con una resistencia menor que 100Ω . Este trabajo debe realizarlo un electricista.

No conecte la tierra al suministro de agua de la ciudad ni a las tuberías de gas. No amarre la tierra a una línea telefónica.

Instalación del disyuntor

- Conecte un dispositivo que desconecte automáticamente la corriente (interruptor diferencial) cuando se detecte una fuga eléctrica.



PRECAUCIÓN

La descarga electrostática puede afectar componentes eléctricos. Tome precauciones para prevenir descargas electrostáticas de personas o herramientas durante la instalación y el mantenimiento del calentador de agua para Proteger el control electrónico del producto.

Control remoto

* Comentarios [125 °F / 55 °C]
 ↑ modo de visualización en Celsius
 ↑ modo de visualización en Ferenheit

Instale el control remoto según las instrucciones de la Guía de Instalación (página 38).

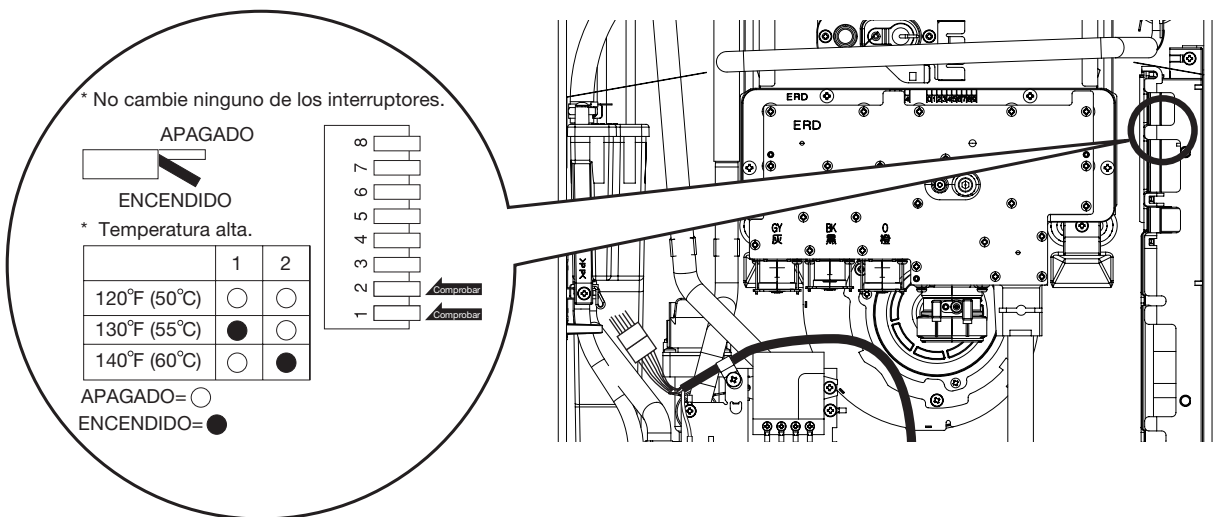
- * Solo se puede conectar un control remoto al calentador de agua. La conexión de dos o más controles remotos pueden provocar averías.
- * El calentador de agua tiene un ajuste de fábrica que permite un ajuste de temperatura máxima de [120 °F / 50 °C]. Para acceder a temperaturas más altas a través del control remoto, siga los siguientes pasos.

<Para ajustar la temperatura máxima a [125 -140 °F / 55 - 60 °C]>

1. Apague el calentador de agua presionando el botón de Encendido/Apagado del control remoto.
2. Mantenga presionado el botón AJUSTE ALARMA DEL FLUJO hasta que escuche un sonido (2 sec.) y vea en la pantalla [120 °F / 50 °C].
3. Ajuste el límite superior de la temperatura del suministro de agua caliente a [125 °F, 130 °F, 135 °F o 140 °F / 55 °C o 60 °C] usando los botones ARRIBA y ABAJO.
4. Para volver a encender el calentador de agua, presione el botón de Encendido/Apagado del control remoto. Para mantener apagado el calentador de agua, deje reposar la unidad por 30 seg. para regresar a la pantalla original.

• Esta unidad se puede programar para que tenga una de estas tres temperaturas por defecto si se quita el control remoto [140 °F (60 °C), 130 °F (55 °C), 120 °F (50 °C)]. Para cambiar la temperatura predeterminada, ajuste los interruptores dip como se describe a continuación. La temperatura por defecto es 120 °F (50 °C).

1. Desconecte la alimentación del calentador de agua.
2. Quite la cubierta frontal del calentador de agua (4 tornillos).
3. Desconecte el control remoto. Ajuste los interruptores dip como se ilustra a continuación.
4. Vuelva a colocar la cubierta frontal del calentador de agua (4 tornillos).
5. Vuelva a conectar la alimentación del calentador de agua.



⚠ PELIGRO

- Cuando cambie la temperatura, cerciőrese de confirmar con el cliente que la temperatura del agua caliente ser muy alta y hay riesgo de quemaduras.
- Las temepaturas de agua caliente por encima de 125 °F (52 °C) pueden provocar quemaduras graves instantneamente o la muerte por quemaduras.

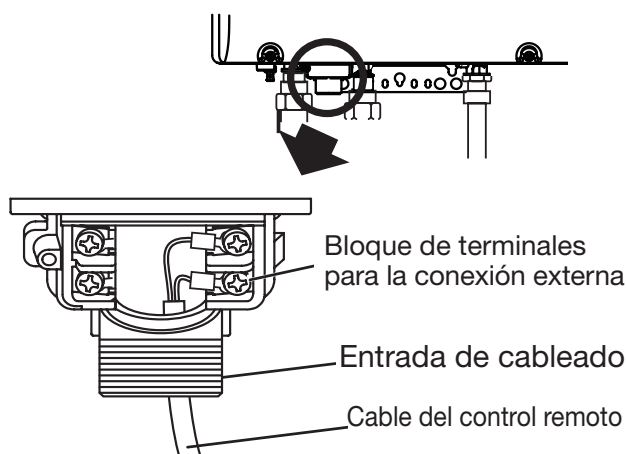
Conexión del cable del control remoto a la unidad

- Mantenga el cable del control remoto alejados de los calentadores de prevención contra congelación de la unidad.
- Amarre el cable sobrante por fuera del calentador de agua. No ponga el cable sobrante dentro del equipo.
- El cable del control remoto se puede extender hasta 300' (90m) con un cable AWG 18.
- Use un terminal tipo Y con un tubo de resina. (Sin el tubo, el cable de cobre se puede corroer y causar problemas).
- Asegúrese de apretar con la mano cuando lo atornille al bloque de terminales. Las herramientas eléctricas pueden provocar daños al bloque de terminales.

Cable del control remoto

- Para extensiones, use un cable 18AWG.
- Haga la instalación según el Código Eléctrico Nacional y todos los códigos locales aplicables.

1. Compruebe que el cable del control remoto tiene longitud suficiente como para llegar al bloque de terminales para la conexión externa.
2. Desconecte la alimentación del calentador de agua.
3. Quite el tornillo que asegura la cubierta del bloque de terminales y retírela.
4. Pase el cable del control remoto a través de la entrada del cableado y conecte los terminales Y del extremo del cable del control remoto al bloque de terminales.
5. Vuelva a colocar la cubierta del bloque de terminales y ponga el tornillo que ha quitado en el paso 3.
6. Vuelva a conectar la alimentación del calentador de agua.



Modificación de otras características

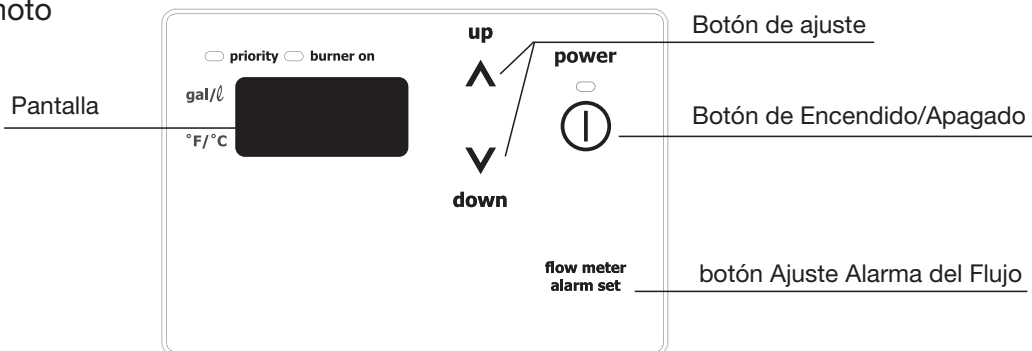
Ajuste de la pantalla de temperatura

Nota: Se debe hacer el ajuste en los primeros 10 minutos después de conectar la alimentación del calentador de agua.

Tabla de elementos de ajustes

Número de elemento.	Elemento	Opciones (ajuste de fábrica sombreado)	
12	modo de visualización en Ferenheit	°F (Fahrenheit)	°C (Celsius)

Control remoto



Procedimiento de ajustes

1. Apague el calentador de agua presionando el botón de Encendido/Apagado del control remoto.
2. Desconecte y vuelva a conectar la alimentación del calentador de agua.
3. Mantenga presionado por 2 segundos o más el botón Ajuste Alarma del Flujo
4. Presione el botón Ajuste Alarma del Flujo hasta que el control remoto muestre el elemento "12".
5. Mantenga presionado durante 5 segundos o más el botón de ajuste "▲" para cambiar las unidades a °F.
6. Mantenga presionado durante 5 segundos o más el botón de ajuste "▼" para cambiar las unidades a °C.
7. Para confirmar el ajuste, encienda el calentador de agua presionando el botón de Encendido/Apagado del control remoto.

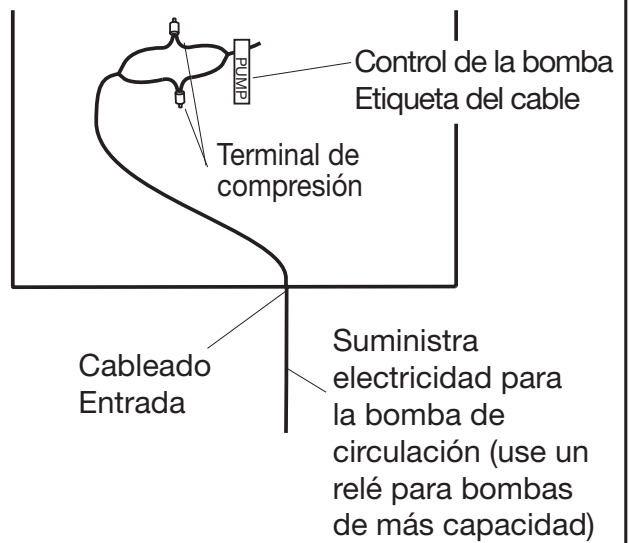
Cableado de la bomba

* Esta característica no está disponible cuando se usa el Multi-sistema de Conexión Rápida.

800-299-9470

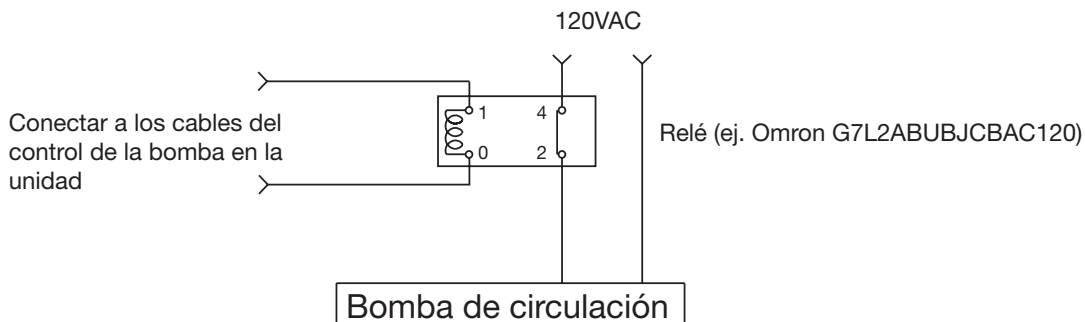
Conexión del cable de control de la bomba

1. Deje cable suficiente para que el control de la bomba permanezca conectado si la unidad se quita de la pared.
2. Quite la cubierta frontal del calentador (4 tornillos).
3. Desenchufe el conector que está en el extremo de los cables del control de la bomba.
4. Pase los cables del control de la bomba a través de la entrada de cableado y conéctelos a la conexión eléctrica dentro de la bomba (esta será la alimentación para la bomba, no adicione una conexión de 120VAC a la bomba).
Si se usa una bomba de gran capacidad (mayor que 85W) use el voltaje de estos cables como señal para cerrar un relé abierto a través del cual se suministrarán 120VAC directamente desde un circuito de pared hasta la bomba.
5. Vuelva a colocar la cubierta frontal.



Conexión de relé en bombas de más capacidad (>85 W)

1. Ubique y prepare los cables del control de la bomba como se describe a continuación.
2. Elija un lugar cómodo para la instalación del relé donde esté protegido de la humedad.
3. Conecte los cables de control de la bomba desde el calentador hasta la señal de entrada en el relé.
4. Corte uno de los cables del suministro eléctrico y páselo a través de las terminales abiertas del relé.
5. Asegure todas las conexiones y vuelva a colocar la cubierta frontal del calentador.



Instalación del cable de conexión rápida -2

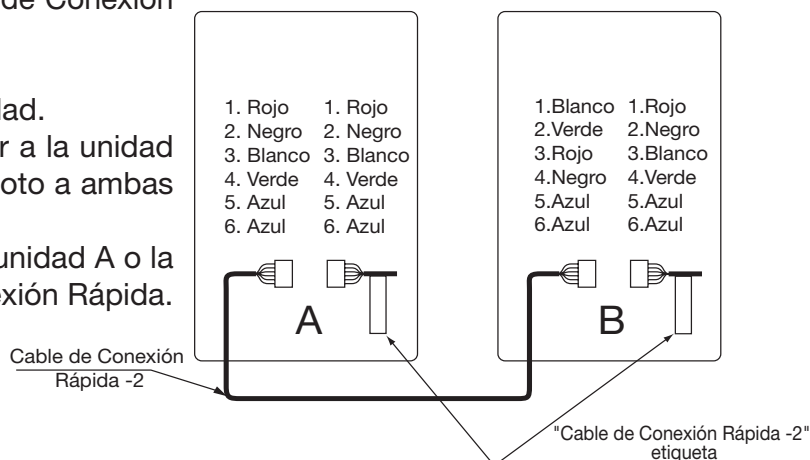
Para Instalaciones Multi-sistema de Conexión Rápida use solamente la pieza TWHQCCORD. (Vendida por separado)

Precaución

Los colores de los cables en el Cable de Conexión Rápida-2 no serán iguales a los del enchufe de conexión dentro de la unidad.

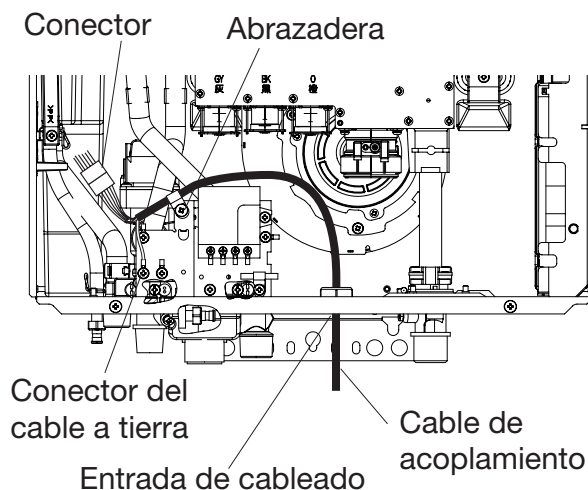
* El control remoto se puede conectar a la unidad A o la B. No conecte un control remoto a ambas unidades.

* Desconecte el control remoto de la unidad A o la B antes de instalar el Cable de Conexión Rápida.



Instalación del cable de conexión rápida a las dos unidades.

1. Apague el aparato.
2. Quite la cubierta frontal del calentador (4 tornillos).
3. Pase el Cable de Conexión Rápida a través de la entrada de cableado y hacia adentro de la unidad.
4. Enchufe el conector del Cable de Conexión Rápida al tomacorriente que está dentro de la unidad.
5. Fije el cable a tierra del Cable de Conexión Rápida a la placa de fijación del bloque de terminales. (Si el cable a tierra no está fijado, el ruido eléctrico puede causar problemas).
6. Asegure el Cable de Conexión Rápida con una abrazadera.
7. Vuelva a colocar la cubierta frontal.



14. Mantenimiento

Compruebe periódicamente lo siguiente para asegurar el funcionamiento adecuado del calentador de agua

- El sistema de ventilación debe ser examinado periódicamente por un técnico calificado para buscar fugas o corrosión.
- La llama del quemador se debe comprobar periódicamente para asegurar que mantenga el color azul y la consistencia.
- Si la llama no parece normal, es posible que sea necesario limpiar el quemador.
- Si es necesario limpiar el quemador, la limpieza debe hacerla un técnico calificado.
- No obstruya el flujo del aire de combustión y ventilación.
- La válvula de alivio de presión se debe utilizar al menos una vez al año para asegurar que funciona correctamente y que no hay obstrucciones. Apague la unidad antes de abrir la válvula de alivio, y cerciórese de que el drenaje del agua hacia afuera de la válvula no provoque ningún daño.
- Si la válvula de alivio se descarga periódicamente, puede ser debido a la expansión termal en un sistema cerrado de agua. Póngase en contacto con el proveedor de agua o un inspector local de fontanería para conocer cómo corregir esta situación.
No conecte la válvula de alivio.
- Consulte el manual de uso y cuidado para más instrucciones de mantenimiento.

Advertencia: Existe un alto riesgo de quemaduras si la temperatura de salida está ajustada en alto.

En caso de sobrecalentamiento, o si el suministro de gas no se detiene, cierre la válvula manual de control de gas del aparato. No utilice este aparato si alguna de sus partes ha estado bajo el agua. Llame inmediatamente a un técnico calificado para inspeccionar el aparato y cambie cualquier pieza del sistema de control y del control de gas que haya estado bajo el agua..

Compruebe periódicamente y limpie el filtro dentro de la entrada de agua fría de la unidad.

15. Prueba de funcionamiento

El instalador debe comprobar al funcionamiento de la unidad, explicar al cliente como usarla, y dar al dueño este manual antes de concluir la instalación.

- Preparación(1) Abra el componente de agua caliente para confirmar que hay agua, y cierre el componente.
 - (2) Abra la válvula de suministro de gas.
 - (3) Encienda el aparato. Usando el control remoto, encienda el aparato a través del Botón de Encendido/Apagado (se encenderá el indicador de funcionamiento)

- (1) Abra el componente de agua caliente y confirme que se enciende el indicador de Quemador Encendido, y que empieza a salir agua caliente. (Si es necesario, repita esta acción hasta que salga todo el aire de la tubería de gas).
 - * Se podrá ver humo blanco salir por el escape cuando el clima es frío. Sin embargo, esto no es un fallo de la unidad.
 - * Si aparece un código de error "11" en el control remoto, apague la unidad y vuelva a encenderla, y vuelva a abrir el componente de agua caliente.
- (2) Cambie el ajuste de temperatura en el control remoto y compruebe que la temperatura del agua cambia.

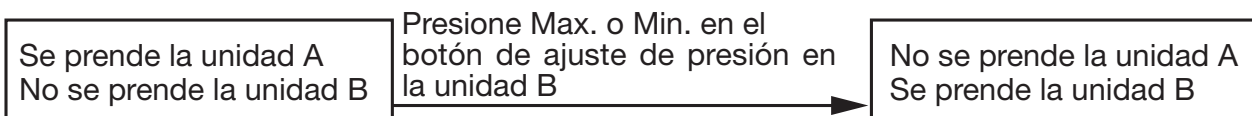
• Si el calentador no funciona normalmente, consulte la sección de "Solución de problemas" en el Manual de Uso y Cuidado.

* Después de la prueba de funcionamiento, limpie el filtro en la entrada de agua fría.

<Si se instala con un multi-sistema de conexión rápida>

- Encienda el sistema con el control remoto.
- Abra lentamente un componente de agua caliente y compruebe que las unidades se prenden secuencialmente. Compruebe que la temperatura del agua caliente es la misma que la temperatura que aparece en la pantalla del control remoto. (*1)

* Si no se prenden ambas unidades, marque la unidad que se prenderá primero presionando Max. o Min. en el botón de ajuste de presión de la placa de circuitos. (*2)



* Si aparece parpadeando un código de error 11 o F11 en el control remoto, presione el botón de encendido/apagado 2 ó 3 veces.

* Si no se puede ejecutar (*1) y (*2), es posible que el Cable de Conexión Rápida no esté bien conectado. Compruebe que el cable esté conectado correctamente.


PRECAUCIÓN
Manejo después de la prueba de funcionamiento

Si la unidad no se va utilizar inmediatamente, cierre todas las válvulas de gas y agua, drene toda el agua hacia afuera de la unidad y del sistema de tuberías para evitar que la unidad y el sistema se congelen, y vacíe la línea de gas.

El congelamiento no está cubierto en la garantía


ADVERTENCIA:

Si estas instrucciones no se siguen pueden ocurrir incendios o explosiones, que pueden causar la pérdida de vidas, lesiones personales o daños materiales.

Instrucciones de encendido

Este calentador de agua no cuenta con un piloto. Está equipado con un dispositivo de encendido que prende el quemador automáticamente.

No trate de prender el quemador con las manos.

1. Lea la información de seguridad en el manual de instalación o en la parte frontal del calentador de agua.
2. Desconecte la alimentación de la unidad
3. No intente prender el quemador con las manos.
4. Gire la válvula manual de control de gas (externa a la unidad) en el sentido de las agujas del reloj a la posición de cerrada.
5. Espere 5 minutos para que salga todo el gas. Si se mantiene el olor a gas, deténgase y siga las instrucciones de la página 3 del Manual de Uso y Cuidado.
6. Gire la válvula manual de control de gas en sentido contrario a las agujas del reloj a la posición de abierta.
7. Conecte la alimentación de la unidad
8. Ahora la unidad funcionará siempre que se abra una llave de agua caliente. Si la unidad no funciona, siga las instrucciones de apagado y llame a un técnico de mantenimiento.

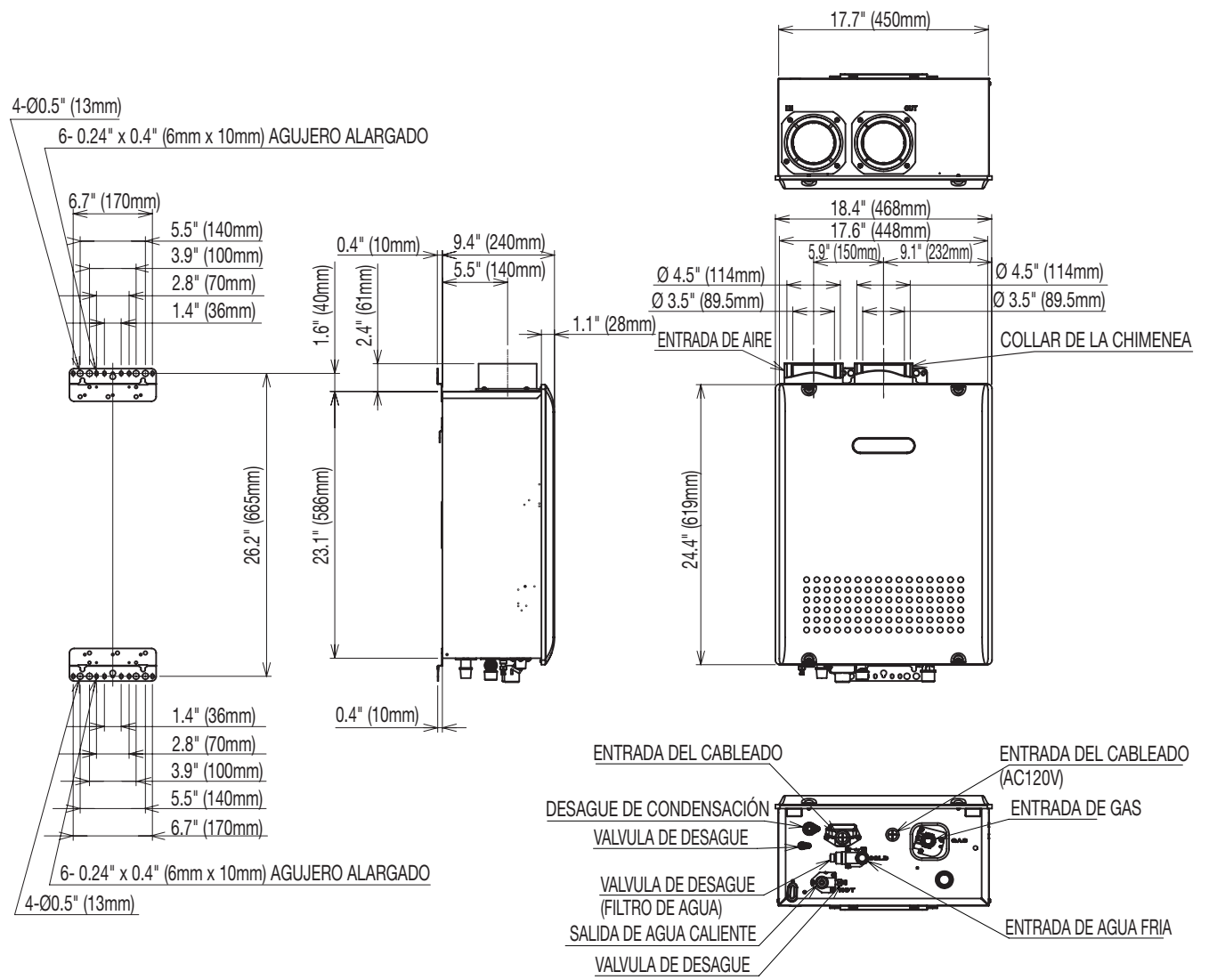
Instrucciones de apagado

1. Detenga la demanda de agua.
2. Apague el aparato.
3. Gire la válvula manual de control de gas en el sentido de las agujas del reloj a la posición de cerrada.

En caso de sobrecalentamiento, o si el suministro de gas no se detiene, cierre la válvula manual de control de gas del aparato.

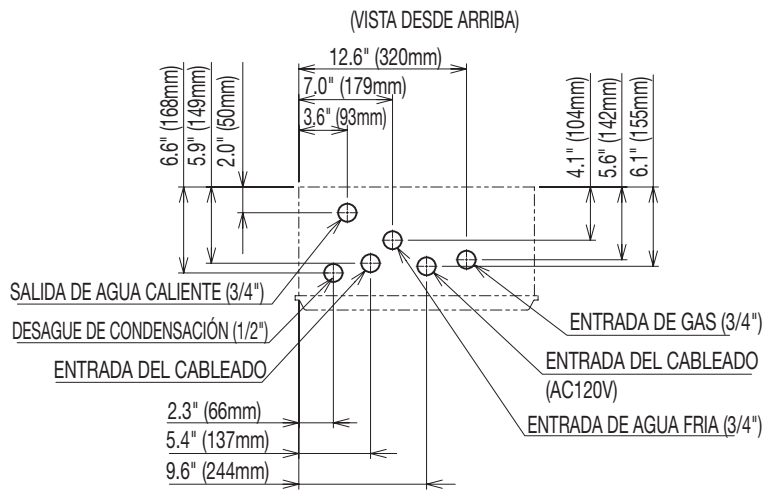
16. Dimensiones

< pulgada (mm) >



ALTURA DE CADA ACCESORIO DESDE EL FONDO DE LA CAJA

	EN18WI30LS EP18WI30LS
DESAGUE DE CONDENSACIÓN	0.8" (20mm)
SALIDA DE AGUA CALIENTE	1.8" (45mm)
ENTRADA DE AGUA FRIA	1.9" (49mm)
ENTRADA DE GAS	2.2" (56mm)



Control remoto

Para instaladores: 1-800-299-9470

Lea la guía de instalación cuidadosamente antes de hacer la instalación.

Guía de instalación

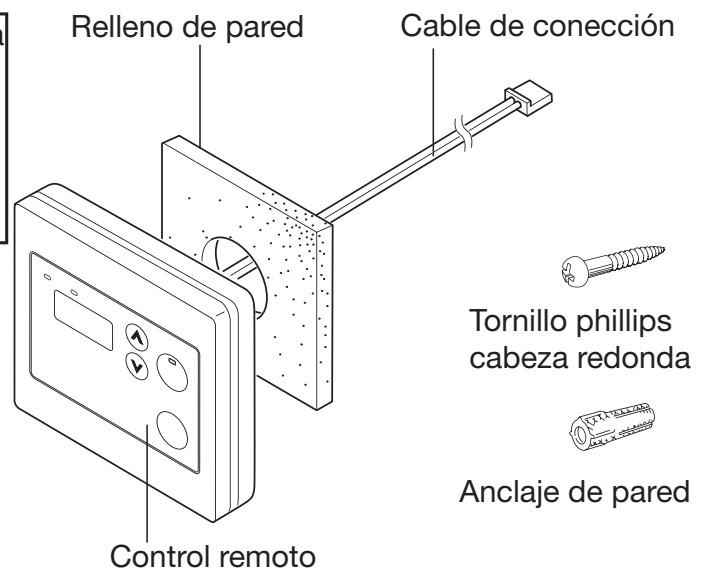
Electrolux Home Products, Inc.

Nota

No conecte la la fuente de alimentación al calentador hasta que no se haya instalado correctamente el control remoto. La ubicación de instalación recomendada para el control remoto es el cuarto de baño.

Listado de piezas incluidas

Nombre de la pieza	Cantidad
Control remoto	1
Relleno de pared	1
Tornillo phillips cabeza redonda	2
Anclaje de pared	2



No desmonte el control remoto

Notas sobre el lugar de instalación

- El remoto se debe instalar en un lugar de fácil acceso.
- Evite hacer la instalación en un lugar donde el agua o el vapor puedan entrar en contacto con el control.
- Evite lugares donde se usen agentes químicos especiales (por ejemplo, benceno, detergentes grasos y oleaginosos).
- Evite la instalación en exteriores, o instalaciones en interiores donde pueda estar expuesto a la luz solar.

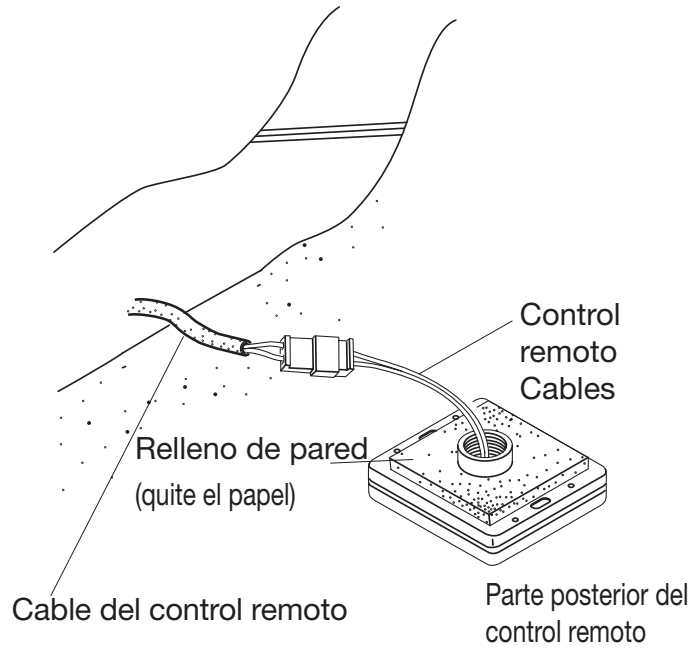
Conexión del cable del control remoto

- Conector blanco → Para el control remoto
- Terminales Y (dos núcleos) → Para el calentador de agua

- * Confirme la conexión con las etiquetas a ambos extremos del cable del control remoto.
- El cable del control remoto se puede extender hasta 300 pies (90m). empalmándolo y usando un cable calibre 18 para extenderlo hasta la longitud adecuada.

Instalación

1. Aplique relleno de pared a la parte posterior del control remoto.
2. Conecte los cables del control remoto al cable de otro control remoto.



3. Quite la cubierta del control remoto, marque la ubicación de los orificios para tornillos, y taladre los orificios para el anclaje de pared.
4. Introduzca el anclaje de pared, atornille el control remoto a la pared y vuelva a colocar la cubierta.

