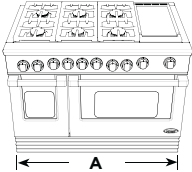




## Gas Ranges Product Dimensions

RGU-48, RGU-36, RGU-30  
RGV-48, RGV-36, RGV-30

**RGU-48, RGV48**



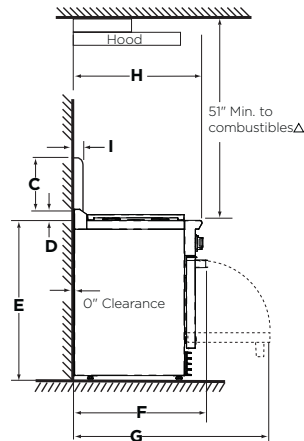
**RGU-36, RGV-36**



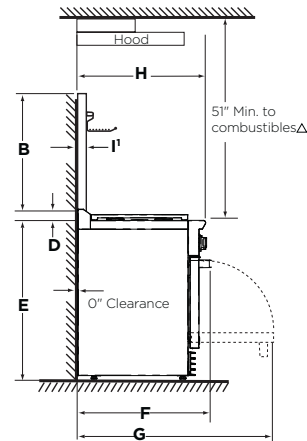
**RGU-30, RGV-30**



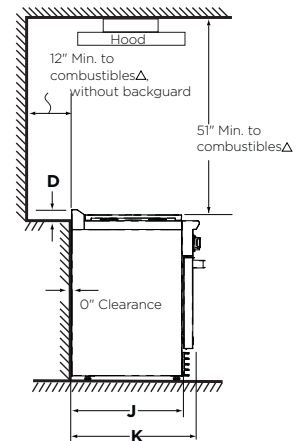
**Standard Installation:**  
using the appropriate range mount  
Standard backguard model: BGRU2-1548,  
BGRU2-1536, BGRU2-1530



**Full Backguard Installation:**  
using the appropriate wall mount Full  
backguard model: BGRU-3048,  
BGRU-3036, or BGRU-3030



**Island Installation:**  
using the integral island trim only



Δ As defined in the "National Fuel Gas Code" (ANSI Z223.1, latest edition).  
The horizontal surfaces of the cooktop trim must not be below countertop level.

**Important!**  
If using the island trim only, a 12" clearance is required between the back of the range and a combustible surface (above the cooking surface). If the clearance is less than 12", the back wall must be non-combustible and made of heat-resistant material.

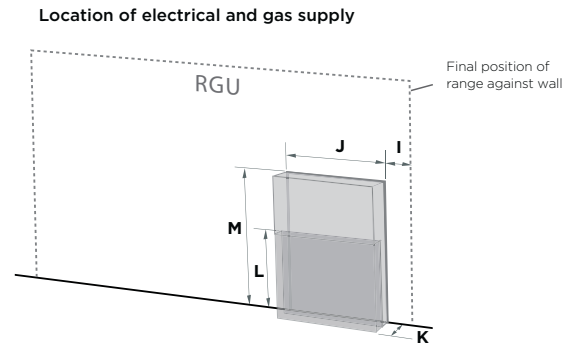
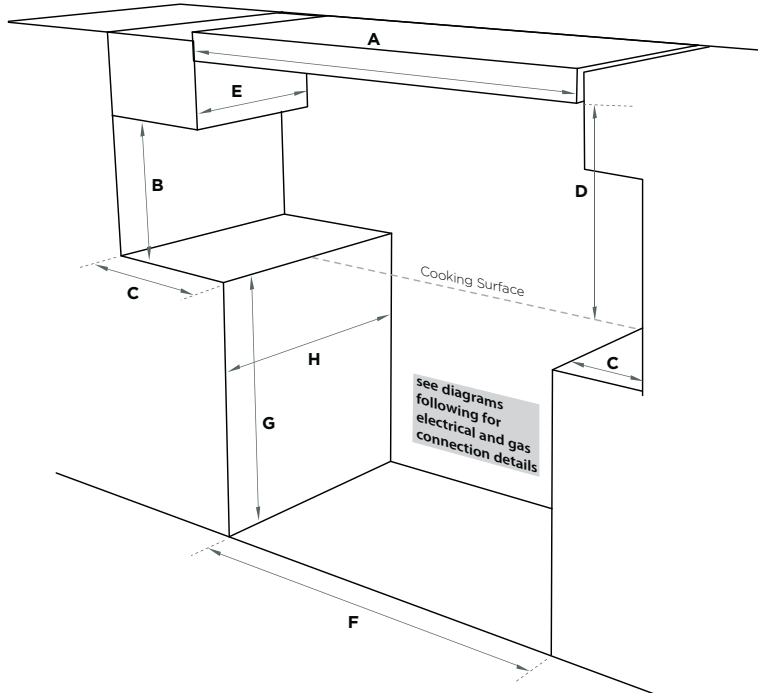
### Product Dimensions (inches)

	<b>RGU-48 RGV-48</b>	<b>RGU-36 RGV-36</b>	<b>RGU-30 RGV-30</b>
<b>A</b> Width of product	47 - 7/8"	35 - 7/8"	29 - 7/8"
<b>B</b> Height of full backguard	26 - 1/2"	26 - 1/2"	26 - 1/2"
<b>C</b> Height of standard backguard	11 - 13/32"	11 - 13/32"	11 - 13/32"
<b>D</b> Height of integral island trim	3 - 1/2"	3 - 1/2"	3 - 1/2"
<b>E</b> Height of product (from floor to cooktop trim, excluding grates and island trim)	min. 35 - 3/4" max. 36 - 3/4"	min. 35 - 3/4" max. 36 - 3/4"	min. 35 - 3/4" max. 36 - 3/4"
<b>F</b> Maximum depth from wall to front of product (including handle)	30 - 1/4"	30 - 1/4"	30 - 1/4"
<b>G</b> Maximum depth from wall to front of product with door open	46 - 11/16"	46 - 11/16"	46 - 11/16"
<b>H</b> Maximum depth from wall to front of product (excl. handle and knobs)	29"	29"	29"
<b>I</b> Depth of standard backguard	13/16"	13/16"	13/16"
<b>I'</b> Depth of full backguard	1 - 5/16"	1 - 5/16"	1 - 5/16"
<b>J</b> Depth from wall to front of range side panel	25"	25"	25"
<b>K</b> Depth of product from wall to oven door front (excl. handle)	27 - 1/2"	27 - 1/2"	27 - 1/2"



## Gas Ranges Cabinetry Dimensions

RGU-48, RGU-36, RGU-30  
RGV-48, RGV-36, RGV-30



### Cabinetry Dimensions (inches)

	RGU-48 RGV-48	RGU-36 RGV-36	RGU-30 RGV-30
<b>A</b> Minimum width of ventilation hood installed above range	48"	36"	30"
<b>B</b> Minimum vertical distance between countertop and cabinet extending above counter	18"	18"	18"
<b>C</b> Minimum clearance from left and right edge of range to nearest vertical combustible surface	12"	12"	12"
<b>D</b> Minimum clearance from cooking surface to: - combustible surface centered above the cooking surface - non-combustible surface centered above the cooking surface	51" 30"	51" 30"	51" 30"
<b>E</b> Maximum overall depth of overhead cabinetry	13"	13"	13"
<b>F</b> Width of cabinetry opening	48"	36"	30"
<b>G</b> Maximum height from floor to countertop: - with range levelling legs fully retracted - with range levelling legs fully extended	35 - 3/4" 36 - 3/4"	35 - 3/4" 36 - 3/4"	35 - 3/4" 36 - 3/4"
<b>H</b> Maximum depth from wall to cabinet front	25"	25"	25"
<b>I</b> Distance from right edge of range to supply area	1 - 1/2"	1 - 1/2"	1 - 1/2"
<b>J</b> Width of supply areas	6"	6"	6"
<b>K</b> Depth of supply areas (i.e. maximum protrusion of gas connection from wall)	2"	2"	2"
<b>L</b> Height of gas supply area (from floor)	12"	12"	12"
<b>M</b> Height of electrical supply area (from floor)	19"	19"	19"