

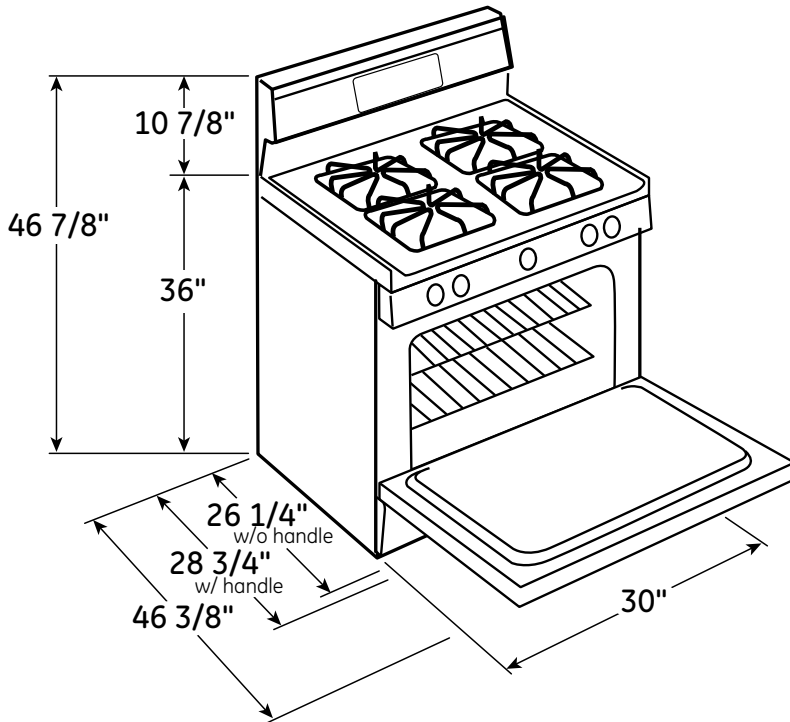
# RGB780REH

## Hotpoint® 30" Free-Standing Gas Range

### Dimensions and Installation Information (in inches)

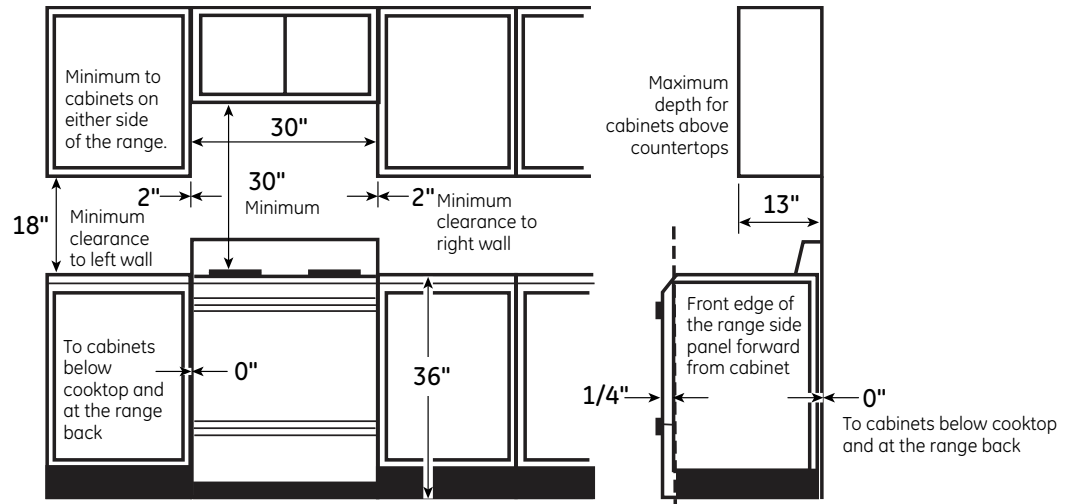
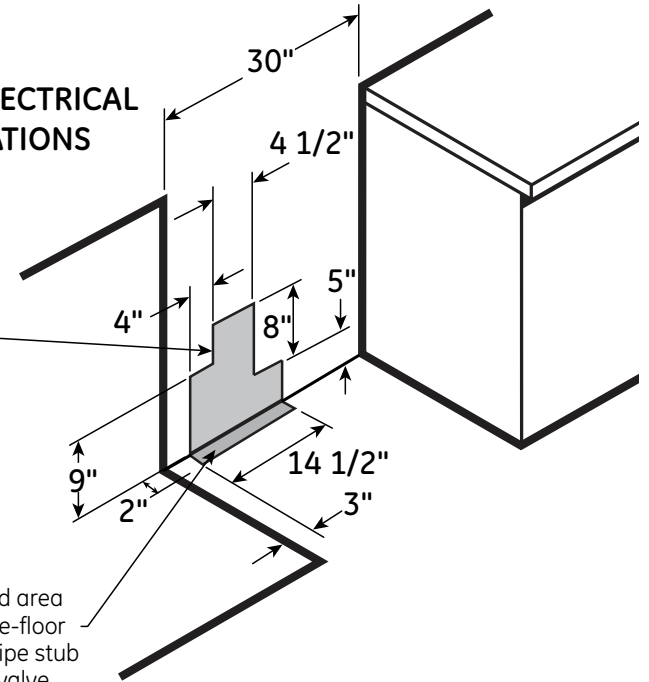
**Electrical Rating:** 120V, 60Hz, 5A

**Installation Information:** Before installing, consult installation instructions packed with product for current dimensional data.



### GAS PIPE AND ELECTRICAL OUTLET LOCATIONS

Recommended area for 120V outlet on rear wall and area for through-the-wall connection of pipe stub and shut-off valve.



imagination at work

For answers to your Monogram® or GE® appliance questions, visit our website at [geappliances.com](http://geappliances.com) or call GE Answer Center® service, 800.626.2000.



All GE ranges are equipped with an Anti-Tip device. The installation of this device is an important, required step in the installation of the range.



Specification Created 6/14

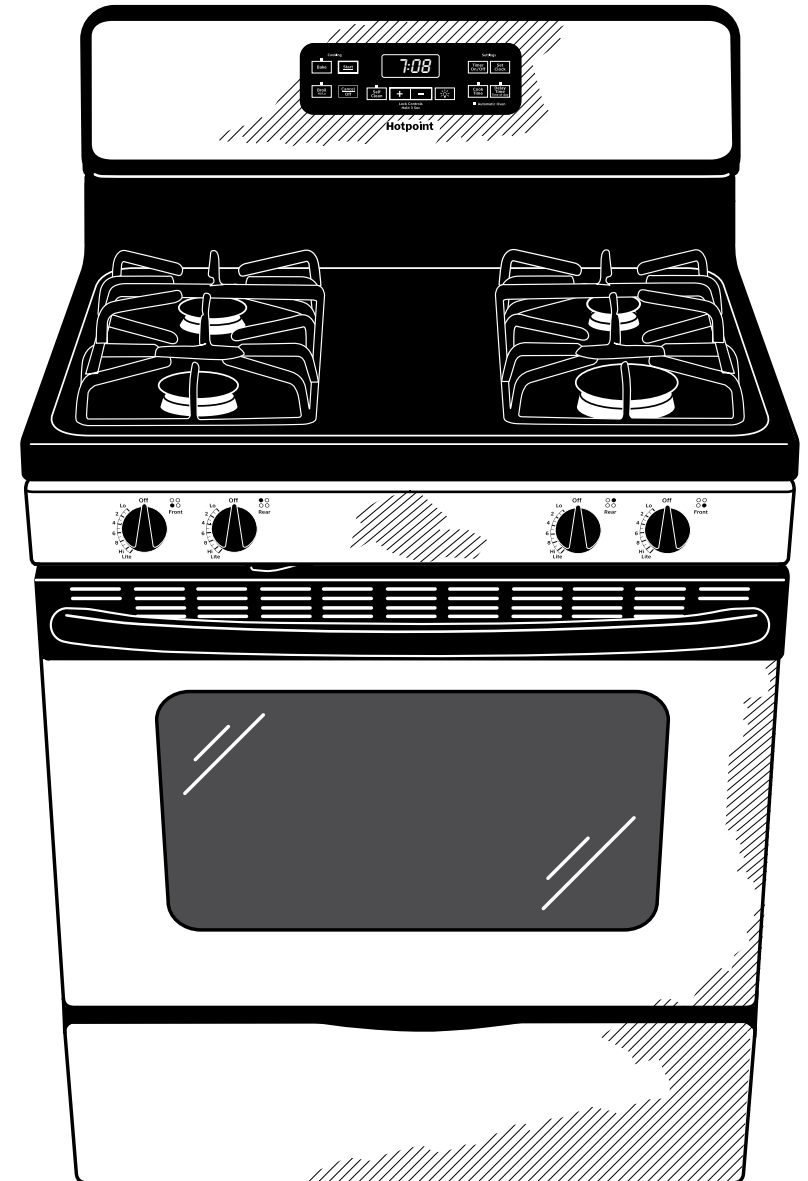
430169

# RGB780REH

## Hotpoint® 30" Free-Standing Gas Range

### Features and Benefits

- Self-Clean Oven - Cleans the oven cavity without the need for scrubbing
- 4.8 cu. ft. Oven Capacity - Enough room to cook an entire meal at once
- Sealed Cooktop Burners - Contains spills and make cleaning quick and easy
- Simmer Burner - Provides low, even heat distribution for delicate foods and sauces
- 12,500 BTU Burner - Quickly produces high heat
- Heavy Steel Grates - Heavy-duty steel grates deliver the highest level of cooktop performance
- In-Oven Broil - Healthy meals are hassle-free with in-oven broiling
- Two Oven Racks - Durable to securely hold any cookware
- Electronic Pilotless Ignition - Provides reliable burner ignition operation, eliminating the need for a standing pilot
- Model RGB780REHSS - Stainless steel



imagination at work