

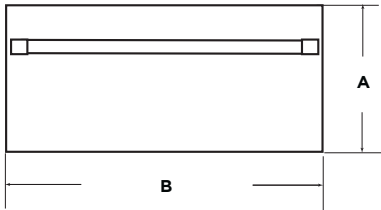


## Warming Drawer Product Dimensions

WDU-30 & WDUI  
WDV-30 & WDWI-30

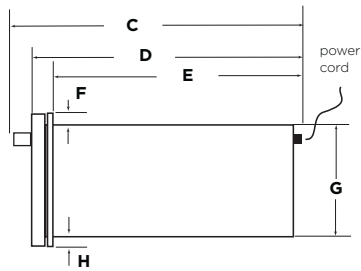
### Warming Drawer Dimensions

Front View



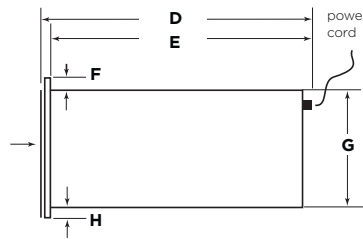
### WDU-30, WDV-30 Dimensions

Side View



### WDUI-30, WDWI-30 Dimensions

Side View



Drawer front face for attachment of custom panel - see template provided with unit

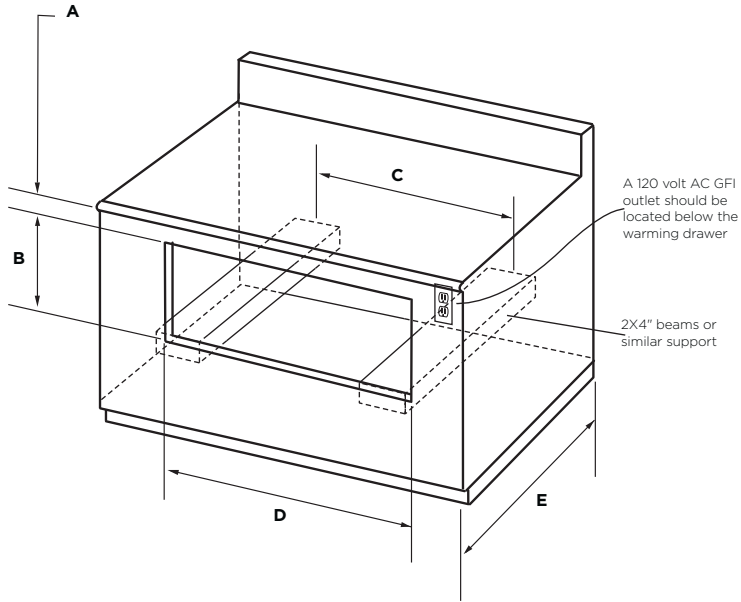
### Product Dimensions (inches)

	WDU-30 WDV-30	WDUI WDVI-30
<b>A</b> Overall height of warming drawer	10 - 1/2"	10 - 1/2"
<b>B</b> Overall width of warming drawer	29 - 1/16"	29 - 1/16"
<b>C</b> Overall depth of warming drawer with handle	28 - 3/16"	
<b>D</b> Overall depth of warming drawer to drawer front face	25 - 1/16"	24 - 1/8"
<b>E</b> Depth of drawer chassis from face of cabinet	23 - 1/2"	23 - 1/2"
<b>F</b> Height from top of chassis to top of face frame	1/2"	1/2"
<b>G</b> Height of drawer chassis	9 - 3/4"	9 - 3/4"
<b>H</b> Height from bottom of face frame to bottom of chassis	1/4"	1/4"



## Warming Drawer Cabinetry Dimensions

WDU-30 & WDUI  
WDV-30 & WDVI-30



### Cabinetry Dimensions (inches)

	<b>WDU-30 WDUI WDV-30 &amp; WDVI-30</b>
<b>A</b> Minimum height from top edge of cavity cutout to bottom of countertop	1 - 1/2"
<b>B</b> Height of cabinet front cutout	10" +/- 1/16"
<b>C</b> Distance between centers of support beams	20"
<b>D</b> Width of cabinet front cutout	25 - 3/4" +/- 1/16"
<b>E</b> Minimum depth of cabinet	24"