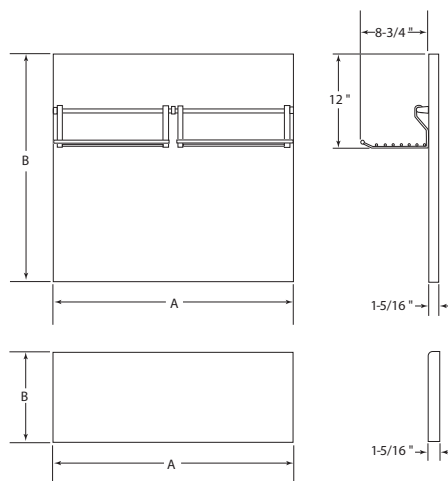




BGS-3048 48" Backguard (as shown)

Stainless steel back guards are the perfect solution to finish off your kitchen design. Available for ranges (Models BGS) and professional cooktops (Models BGC).



Models		A	B	Rack (13-5/8") QTY.	Rack (16-5/8") QTY.
Range Models	BGS-1230	29-7/8"	10-1/8"	—	—
	BGS-3030	29-7/8"	28-1/8"	2	—
	BGS-1236	35-7/8"	10-1/8"	—	—
	BGS-3036	35-7/8"	28-1/8"	—	2
	BGS-1248	47-7/8"	10-1/8"	—	—
	BGS-3048	47-7/8"	28-1/8"	2	1
Professional Cooktop Models	BGC-1236	35-7/8"	12"	—	—
	BGC-3036	35-7/8"	30"	—	2
	BGC-1248	47-7/8"	12"	—	—
	BGC-3048	47-7/8"	30"	2	1