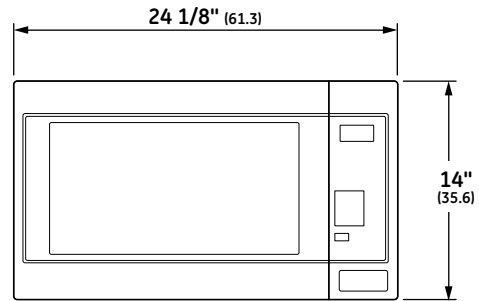




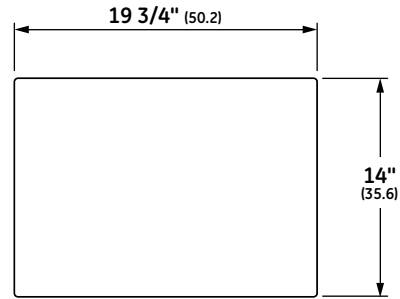
OVERALL DIMENSIONS

SPECIFICATIONS

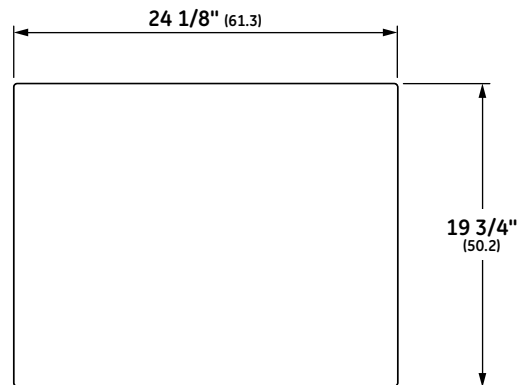
Overall Width	24 1/8" (61.3 cm)
Overall Height	14" (35.6 cm)
Overall Depth	19 3/4" (50.2 cm)
Interior Capacity	2.2 cu. ft. (.06 cu. m)
Watts	1100
Volts/ Hertz/ Amps	120V/ 60 Hz / 13.9A
Power Cord	39" cord with 3-prong plug
Shipping Weight	53 lbs (24 kg)



FRONT VIEW



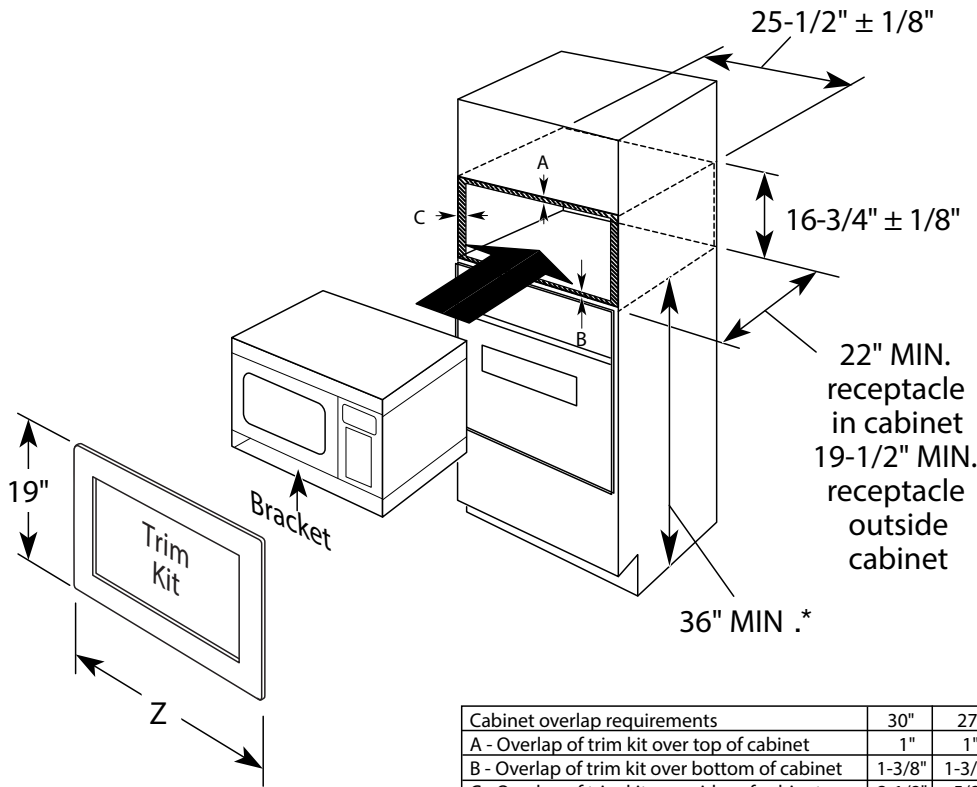
SIDE VIEW



TOP VIEW

Dimensions in parentheses are in centimeters unless otherwise noted. Actual product dimensions may vary due to manufacturing tolerances.

OPTIONAL ACCESSORY TRIM KITS INSTALLATION
(ADDITIONAL COST)



*For ADA compliance, the microwave must be installed no higher than 36-1/4".

Cabinet overlap requirements	30"	27"
A - Overlap of trim kit over top of cabinet	1"	1"
B - Overlap of trim kit over bottom of cabinet	1-3/8"	1-3/8"
C - Overlap of trim kit over sides of cabinet	2-1/8"	5/8"

Note:
Allow an additional inch of clearance beyond trim frame on all sides

Accessory Trim Kits	Z	Max Height	Trim Kits
30"	29-3/4"	19"	JX2130SH
27"	26-5/8"	19"	JX2127SH

NOTES

For a custom built-in appearance, trim kits allow built-in installation of the countertop microwave oven into a wall or cabinet alone and are UL approved for installation over a GE single electric wall oven. These kits should not be installed over a gas wall oven.

120V, 60-cycle, grounded power receptacle location optional on back within cabinet opening.

This information is not intended to be used for installing unit described. Before installing, consult installation instructions packed with the product/kit for current dimensional data.

FEATURES AND BENEFITS

2.2 cu.ft. capacity – 1100 watts (IEC-705 test procedure)

Sensor cooking controls automatically adjust time and power

Optional built-in trim kit allows custom appearance and built-in convenience

Weight and time defrost automatically sets the optimal defrosting time and power level after you enter weight of food

Extra-large 16" turntable rotates food throughout the cycle and accommodates large cookware

Instant On controls offer one-touch instant operation

Control lockout helps prevent accidental activation

Add 30 Seconds button adds 30 seconds of microwave cooking time

Kitchen Timer helps keep you on track by the minute

