

USE AND CARE MANUAL

DISTINCTIVE[®] WALL OVEN

Models: DTO127, DTO130, DTO130, DTO230,
DTOV127, DTOV130, DTOV130, DTOV230



*Style and color varies,
model DTO230S shown*

Table of Contents

Important Safety Instructions	1
Operating Your Oven	5
Care and Cleaning	14
Before You Call for Service.....	18
Warranty and Service	20
Français.....	21

Important Safety Instructions

INSTALLER: LEAVE THESE INSTRUCTIONS WITH THE APPLIANCE.

CUSTOMER: READ THIS USE AND CARE MANUAL COMPLETELY BEFORE USING THIS APPLIANCE. SAVE IT FOR FUTURE REFERENCE.

For service and warranty information see page 20.

If you have any questions, call:

Dacor Customer Service
(800) 793-0093 (U.S.A. and Canada)
Monday — Friday 6:00 A.M. to 5:00 P.M. Pacific Time

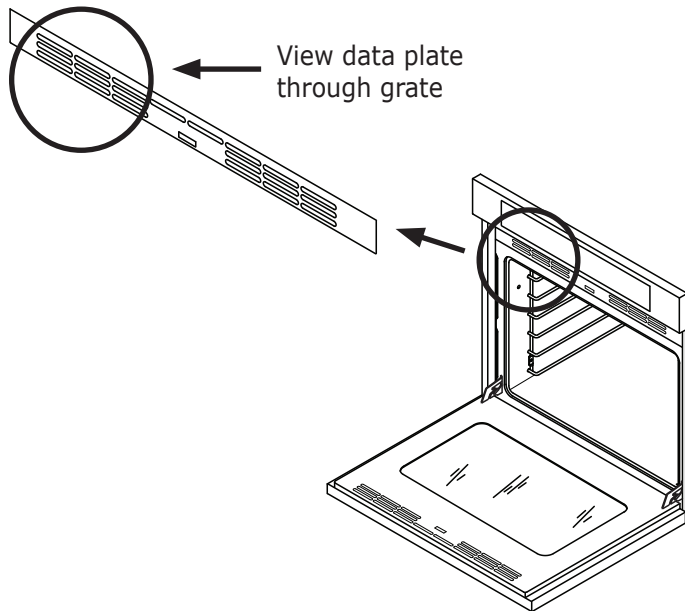
Web site: www.dacor.com

Have the complete model and serial number for your appliance available. The numbers are found on the appliance data label, located inside the grill, below the control panel. Open the door to expose the grill. On double ovens, the label is located behind the top grill. Write these numbers below for future reference.

Model number _____

Serial number _____

Date of purchase _____



Since Dacor continuously improves the quality and performance of our products, we may need to make changes to the appliance without updating this manual.

Visit www.dacor.com to download the latest version of this manual.

Important Information About Safety Instructions

The **Important Safety Instructions** and warnings in this manual cannot cover all possible problems and conditions that can occur. Use common sense and caution when installing, maintaining or operating this appliance.

Always contact the Dacor Customer Service Team about problems or conditions that you don't understand.

Safety Symbols and Labels

DANGER

Immediate hazards that **WILL** result in severe personal injury or death.

WARNING

Hazards or unsafe actions that **COULD** result in severe personal injury or death.

CAUTION

Hazards or unsafe actions that **COULD** result in minor personal injury or property damage.

DANGER

IMPORTANT: To avoid the possibility of explosion or fire, do not store or use combustible, flammable or explosive vapors and liquids (such as gasoline) inside or in the vicinity of this or any other appliance. Keep items that could explode, such as aerosol cans away from the oven. Do not store flammable or explosive materials in adjacent cabinets or areas.

WARNING

WARNING - NEVER use this appliance as a space heater to heat or warm the room. Doing so may result in overheating of the appliance.

WARNING

WARNING - NEVER cover any slots, holes or passages in the oven bottom or cover an entire rack with materials such as aluminum foil. Doing so blocks air flow through the oven causing a fire hazard.

State of California Proposition 65 Warnings:

WARNING: This product contains one or more chemicals known to the State of California to cause cancer.

WARNING: This product contains one or more chemicals known to the State of California to cause birth defects or other reproductive harm.

READ AND SAVE THESE INSTRUCTIONS

Important Safety Instructions

General Safety Precautions

To reduce the risk of fire, electric shock, serious injury or death when using your oven, follow basic safety precautions, including the following:

WARNING

- If you receive a damaged product, immediately contact your dealer or builder. Do not install or use a damaged appliance.
- Make sure that the oven has been properly installed and grounded by a qualified installer according to the accompanying installation instructions. Have the installer show you the location of the circuit breaker panel or fuse box so that you know where and how to turn off power to the oven.
- Do not install, repair or replace any part of the oven unless specifically recommended in the literature accompanying it. A qualified service technician must perform all other service.
- Before performing any type of service, make sure that power to the oven is turned off at the circuit breaker panel or fuse box.
- Only use the oven for cooking tasks expected of a home appliance as outlined in this manual. This oven is not intended for commercial use.
- **DO NOT TOUCH THE SURFACES OF THE OVEN DURING OR IMMEDIATELY AFTER USE.**
- Make sure individuals who use the oven are able to operate it properly.
- Never allow anyone, including children to sit, stand or climb on any part of the oven including the door. Doing so may cause tipping, damage, serious injury or death.
- Do not leave children alone or unattended in the area around the oven. Do not allow children to play with the controls, pull on the handle(s) or touch other parts of the oven.
- Do not store items of interest to children above the oven. Children could be burned or injured while climbing on the appliance.
- Do not tamper with the controls.
- To prevent the oven from tipping forward and to provide a stable installation, make sure the oven is secured to the cabinet according to the accompanying installation instructions.
- Do not heat unopened food containers such as baby food jars and cans. Pressure build up may cause the container to burst and cause injury.
- Do not use water on grease fires. A violent steam explosion may result. Smother any flames with a lid, cookie sheet or flat tray. Use baking soda or a foam extinguisher to extinguish flaming grease. Be careful to avoid getting burned.
- Keep flammable items, such as paper, cardboard, plastic and cloth away from and out of the oven. Do not allow pot holders to touch hot surfaces.

WARNING

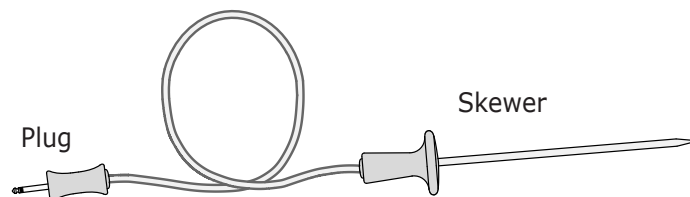
- Do not wear loose or hanging apparel while using the oven. Do not allow clothing to come into contact with the interior of the oven and surrounding areas during and immediately after use.
- Do not use towels or bulky cloth as pot holders.
- Do not use the oven for storage.
- Clean and maintain the oven regularly as instructed in this manual. Keep the entire oven free of grease that could catch fire.
- Do not touch the outside surfaces of the oven during the self-clean cycle. They will be hot.
- Use cookware only for its intended purpose. Check the manufacturer's recommendations before use to determine if a utensil is suitable for use in an oven. Certain types of glass, ceramic and earthenware are not suitable for use in the oven. Personal injury or damage may result from the improper use of cookware.
- Exercise caution when opening the oven door. Let hot air or steam escape before looking or reaching inside.
- Use extreme caution if adding water to food in the oven. The steam can cause serious burns or scalds.
- Use only dry pot holders when removing food and cookware from the oven. Wet pot holders can cause steam burns.
- For your safety, do not use the oven to cook without the convection filter installed. When the filter is not installed, the spinning fan blades at the back of the oven are exposed.
- Do not allow food to sit in the oven for more than one hour before or after cooking. Eating spoiled food can result in food poisoning.
- Do not leave objects, such as aluminum foil, the meat probe or cookie sheets on the bottom of the oven. Do not allow the broil element on the ceiling of the oven chamber to be covered up. Do not line the oven with aluminum foil or other materials. Doing so may cause the oven or the items in it to overheat, creating a fire hazard or causing property damage.
- Non-stick coatings, when heated, can be harmful to birds. Remove birds to a separate, well-ventilated room during cooking.

Getting to Know Your Oven

Parts of the Oven

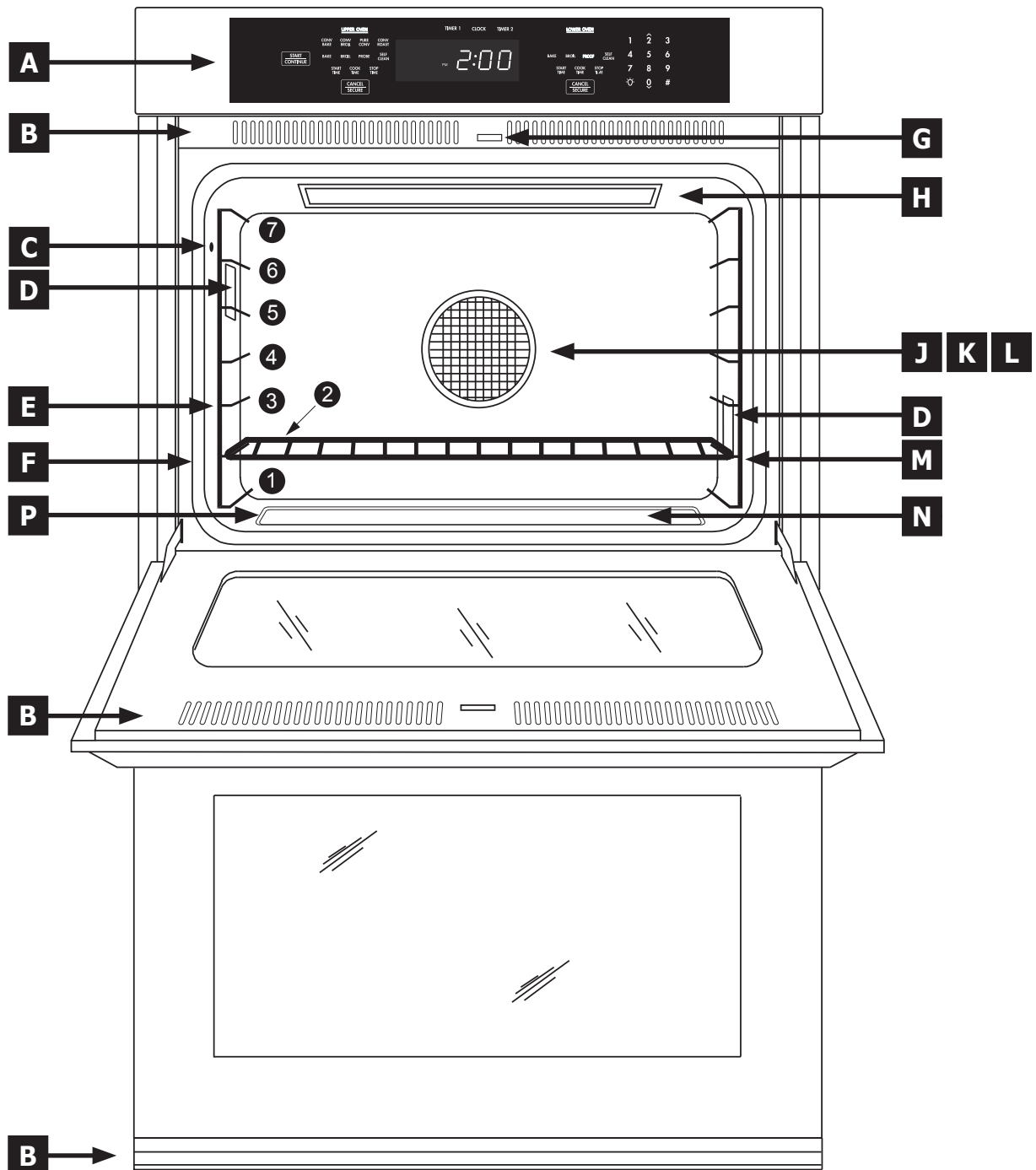
A Control panel	Your oven's control panel consists of touch keys and a display. Use the control panel to control all the oven's features (sometimes called modes).
B Air intake/Exhaust slots	The oven draws air in through the intake slots to cool its internal parts. The air comes out through the exhaust slot at the bottom of the oven. Do not block or cover the air intake or exhaust slots.
C Meat probe connector	When you use the meat probe, insert the skewer into the meat and plug the other end into this connector. See the Using the Meat Probe section on page 11 for proper operation. On double ovens, only the upper oven is equipped with a meat probe connector.
D Oven lights	There are two oven lights inside the oven chamber so that you can easily see the food inside. Touch the light key on the control panel to turn them on. The bulbs are 120 volt, 20 watt, halogen.
E Rack supports	There are seven sets of rack supports inside each oven chamber. They support the adjustable oven racks. They are numbered from the bottom up.
F Door gasket	The door gasket prevents heat from escaping when the door is closed.
G Self-clean latch	The self-clean latch automatically locks the oven door during the self-clean cycle. The door latches for your safety. There are very high temperatures inside the oven during the self-clean cycle.
H Broil element	The broil element is located on the ceiling of the oven chamber. It is the source of top heat.
J Convection fan*	The convection fan blows heated air into the oven chamber during the convection cooking process. The convection filter covers it.
K Convection element*	The convection element heats the air that is blown into the oven chamber by the convection fan during the convection cooking process. The convection filter covers it.
L Convection filter*	The convection filter covers the convection fan. It helps prevent the transfer of taste from one food to another when you are cooking a whole meal. It also keeps the oven cleaner and covers the moving fan blades for safety purposes.
M Oven rack	Your oven comes with a set of standard racks and a GlideRack™ oven rack and a set of standard racks. The total number of racks depends on the model.
N Bake element	Hidden below the floor of the oven chamber is the bake element. It is the source of bottom heat.
P Recessed Oven Cell Bottom	The recessed oven bottom is designed to allow a 30 minute oven steam clean. See page 16 for instructions.

* On double oven models, only the upper oven is equipped for convection cooking.



Meat Probe

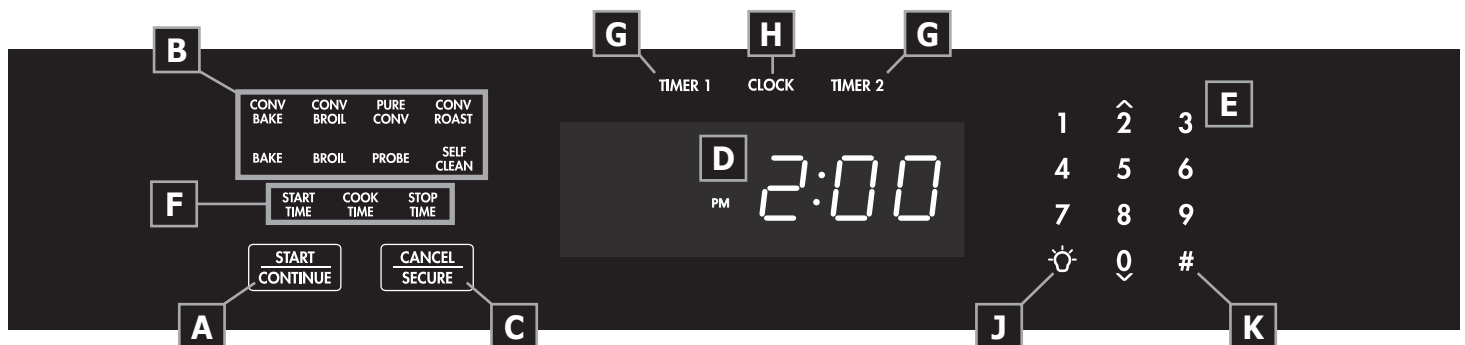
Getting to Know Your Oven



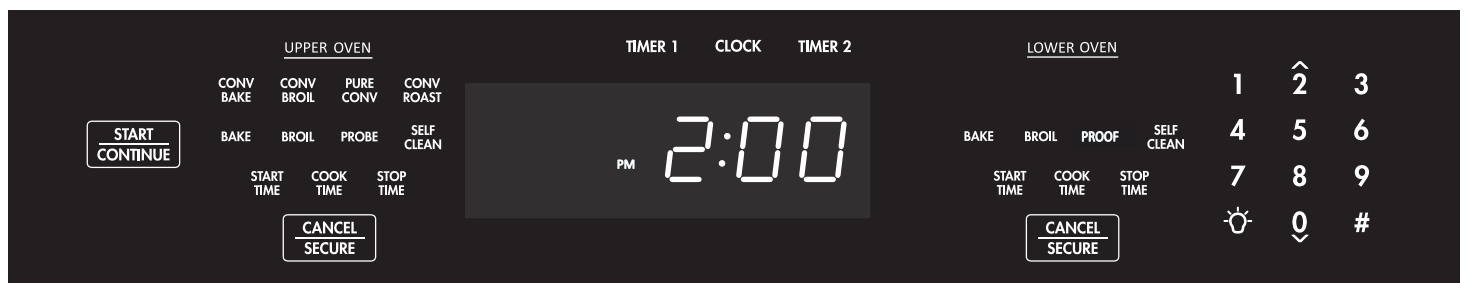
Getting to Know Your Oven

Control Panel Layout

- A START/CONTINUE key** When you use the various features (or modes) on your oven, select the cooking mode first, then touch the **START** key. Also, use the **START** key to start the timers.
- B Cooking mode keypad** Select the type of cooking you want to perform by touching one of the cooking mode keys. Also includes the **Self-clean** and **PROBE** keys, and on double ovens, the **PROOF** key. Double ovens have two cooking mode keypads, one for the upper oven and one for the lower.
- C CANCEL · SECURE key** Use this key to turn off your oven. This key sets all temperature settings back to zero and turns off any features (except the timer) that are currently in use. It also activates the lock-out feature. On double ovens, there is a **CANCEL · SECURE** key for each oven.
- D Display** The control panel display provides various types of information about the oven, including the current time (once the clock is set), the current cook settings and the cooking temperature. See below for the symbols that appear on the display.
- E Number keypad** When you want to set the temperature, cook time or the time, use the number keypad.
- F Delay timed cooking keys** Use these keys to set the oven to turn on or off automatically at a later time. On double ovens, there is a set of delay timed cooking keys for each oven. See page 10 for instructions.
- G TIMER keys** Use the **TIMER 1** and **TIMER 2** keys to time an event. The two timers operate separately from each other. You can use them even if the oven is not in use. They do not turn the oven on or off. See page 10 for instructions.
- H CLOCK key** Use this key to set the clock. See page 5 for details.
- J Light key** Located on the number keypad. If you need to turn the oven lights on or off, touch the light key.
- K Sabbath key (#)** Use this key to start Sabbath mode. See page 13 for details.



Control Panel - Single Oven



Control Panel - Double Oven

Operating Your Oven

Control Panel Settings

Setting the Clock

1. Touch the **CLOCK** key. The colon between the minutes and seconds on the time display will begin to flash.
2. Enter the current time on the number keypad before the colon stops flashing. For example: For 12:08, touch 1-2-0-8 on the keypad. Touching the # key changes the **AM-PM** indicator.
3. Touch **START**.



IMPORTANT

- The clock cannot be set during delay timed cooking, if one of the timers is in use or if self-clean or Sabbath mode is active.
- After a power failure, the time on the display may flash, indicating that the time may not be correct.
- After touching the clock key, you must enter the time and touch **START** soon afterward. If you wait longer than six seconds between touching keys, the display will go back to the original setting.

24/12 Hour Clock (Military Time)

The oven is set to 12-hour (non-military) time at the factory. 24 hour time is also known as military time.

1:36 PM = 13:36 military time.

If you want to switch the clock to 24 hour time or switch from military back to regular time:

1. Touch and hold the **CLOCK** key for six seconds. The display will indicate the mode the clock is currently set to, **12 Hr** or **24 Hr**.
2. Touch the # key to change the clock mode. To leave the setting as is, do not touch any keys.
3. Touch **CANCEL · SECURE** to return to the main display. If you have set the clock to 24 hour time, the keypad will allow you to enter military time when setting the clock.

Setting the Temperature Scale

You can select the temperature scale (Fahrenheit or Celsius) the oven uses to display the cooking temperature. The oven is preset at the factory to Fahrenheit.

To change the temperature scale:

1. Touch and hold the **BROIL** key (under **UPPER OVEN** on double ovens) for six seconds.
2. The display will indicate the temperature scale the control panel is currently set to, **"F"** or **"C"**.
3. Touch the # key to change the temperature scale. To leave the setting as is, do not touch any keys.
4. Touch **CANCEL · SECURE**. The control panel is now set to the new temperature scale.

Turning the Control Panel "Beep" Off/On

The control panel beeps any time you touch any of the keys or when various error conditions exist. It also beeps when a timer is done counting down (page 10) or whenever the oven performs certain preset functions, for example, pre-heat is complete. The tone may be silenced so that it does not function under the above conditions.

To turn the control panel "beep" off (or on):

1. Touch and hold the **START TIME** key for six seconds, until "beep" appears on the display.
2. Touch the # key repeatedly to switch between "On" and "Off."
3. Touch **CANCEL · SECURE** when the desired mode appears on the display.

To change the control panel back to the previous mode, repeat the above steps.

Before You Cook...

- Dacor recommends turning the oven on for one hour at 500°F to burn off any residual oils used during the manufacturing process. Any of these oils left on the inner parts can cause an undesirable smell the first few times the oven is used.
- **PREHEAT:** When you use your oven to bake or roast, it preheats automatically. The preheat cycle rapidly brings the oven chamber up to the proper cooking temperature. It takes several minutes to preheat the oven. Preheat time depends on the temperature settings. The time may be longer depending on the type of electrical supply in your community. There is no preheat cycle for any of the broil modes.
- After you pull food out of the oven, it will continue to cook. This process is called "carry-over." The larger the portion of food, the longer it will cook. It is best to let the meat rest after it comes out of the oven for 10 to 15 minutes before carving. Doing so will allow the meat to retain its juices and make it easier to carve.



CAUTION

Do not allow acids (citrus juices, tomato sauces, etc.) to remain on the oven's surfaces. The porcelain finish may stain or pit.

Operating Your Oven

Racks

You may use either rack type on any level inside the oven.

WARNING

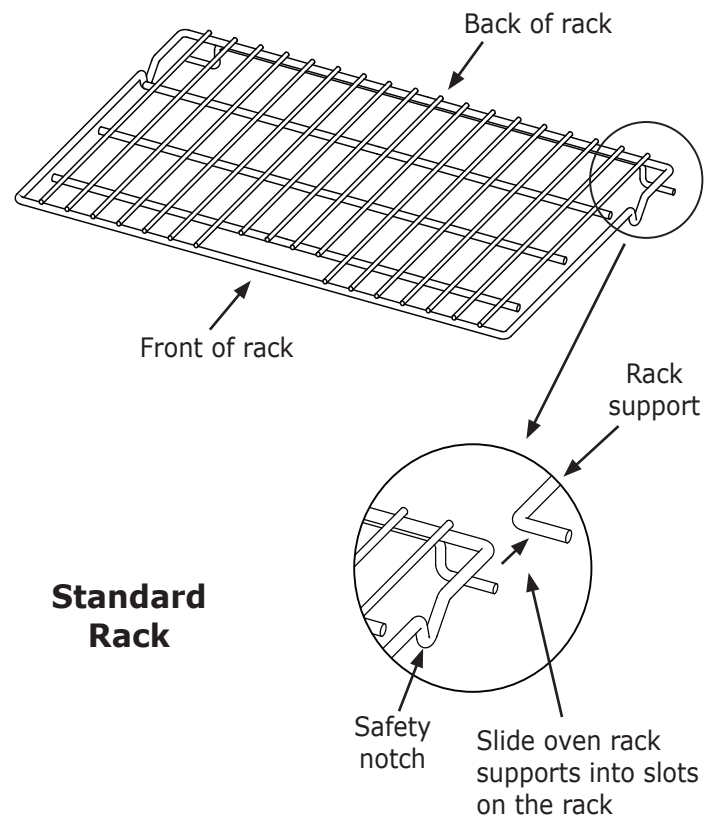
To reduce the chance of burns, position the oven racks when the oven is cool. If you must reposition a rack when the oven is hot, use pot holders.

To insert the standard oven racks..

1. Insert the end of the rack with the safety notches into the oven first.
2. Attach both sides of the rack to the rack supports in the oven as shown in the diagram below.
3. Begin to slide the rack in, and then, lift up so that the safety notches clear the ends of the rack supports.
4. Push the rack all the way in with both hands.

To remove the standard oven racks...

- If you want to remove an oven rack, grasp it with both hands and pull gently straight out toward you until it stops.
- To remove the rack completely, lift the front of the rack up about six inches and continue to pull it out. Lifting the rack releases the safety notches. The safety notches reduce the chances of a rack coming out of the oven accidentally.



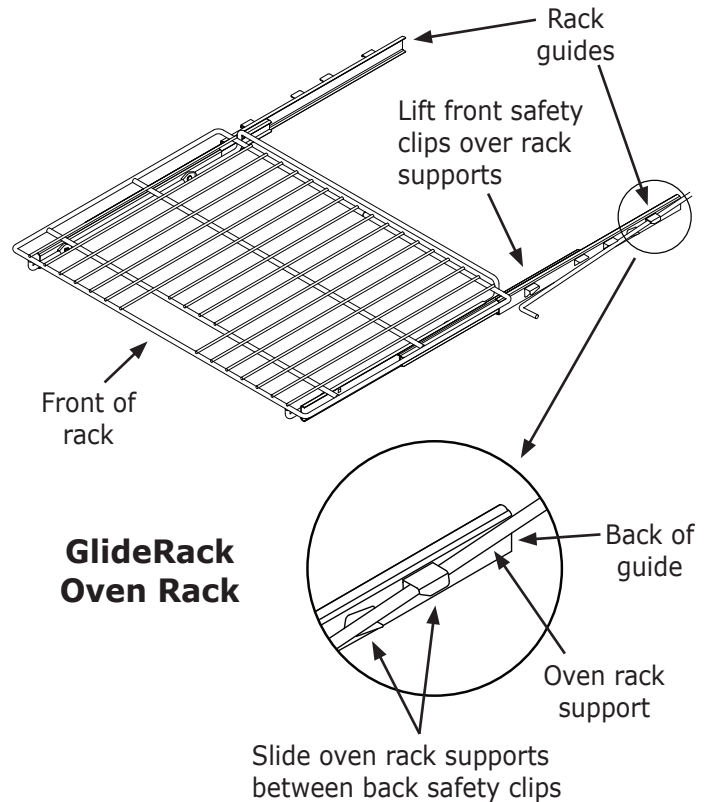
To insert a GlideRack™ oven rack...

You can pull a GlideRack oven rack out further than the standard racks and still support heavy pots and pans full of food. It is great for heavier foods and the optional Dacor baking stone.

1. Align both sets of safety clips (right and left) on the back of the rack guides with the oven rack supports as shown below. **NOTE:** The diagram below shows installation with the rack guides extended but, the rack may be installed with or without the guides extended, whichever is easier.
2. Begin to slide the rack in, lifting the front safety clips over the front of the oven rack supports.
3. Push the rack all the way in.
4. Grasp the rack in the center of the front and pull. The rack should come forward while the guides remain in place.

To remove a GlideRack oven rack...

- Grasp the rack with both hands and pull it gently straight out toward you until it stops.
- Lift up until the front safety clips just clear the front of the rack supports on the oven. Continue to pull out. Moving the end of the rack back and forth slightly, left to right, as you pull, will make it easier to remove.












Operating Your Oven

Starting Your Oven

1. Adjust the racks to the appropriate level.
2. Determine the best cooking mode for the type of food to be cooked.

Select from the following...

- **CONVECTION BAKE*** - A combination of the convection fan and a bottom heat source. Good for single rack items in a deep pan.  
- **CONVECTION BROIL*** - A combination of the convection fan and a top heat source. Good for items that do not need to be flipped, such as thinner cuts of meat, fish, and garlic bread.  
- **PURE CONVECTION™*** - Uses convection cooking only for even heat. Use for baked goods and multiple rack cooking. 
- **CONVECTION ROAST*** - Combines top and bottom heat sources with the convection fan. Best for rib roasts, turkeys, chickens, etc.  
- **BAKE** - Cooks with a bottom heat source only. Commonly used for basic recipes. 
- **BROIL** - Uses a top heat source alone. Use for grilling smaller cuts of meat or toasting bread. 

* Top oven only on double ovens.

IMPORTANT

The broil modes will not work when the meat probe is connected.

See page 8 for detailed descriptions of the various cooking modes.

3. Touch the key for the desired cooking mode. The preset (jump-in) temperature will appear on the display along with the symbol(s) for the selected cooking mode (see above). On double ovens, select the desired oven by touching the cooking mode key under **UPPER OVEN** or **LOWER OVEN** on the control panel.
4. To cook at the preset temperature, touch **START**. To cook at a different temperature enter it (for example 4-2-5) on the number keypad, then touch **START**. You can enter any temperature between 100°F (37°C) and 555°F (291°C). The suggested broil temperature is 555°F. Double ovens have only one **START** key. Use it to start both ovens.
5. If you are using Pure Convection or one of the bake or roast modes, "**PRE-**" for preheating, along with the current oven temperature will appear on the display until the oven reaches the set temperature. Once the oven reaches the set temperature (usually in 15 to 20 minutes), it will beep and "**PRE-**" will disappear. Carefully place your food in the oven. Excessive browning will occur if you put the food in during preheat.

Turning Off Your Oven

To turn the oven off, touch the **CANCEL · SECURE** key. On double ovens, touch the **CANCEL · SECURE** key under **UPPER OVEN** or **LOWER OVEN**.

NOTE

After you turn off the oven, the cooling fans may continue to run until the oven's internal parts have cooled down.

Changing the Temperature

To change to a different temperature while the oven is on:

1. Touch the key for the current cooking mode. Touch the key for the current cooking mode. The symbol for the current cooking mode appears on the display (for example **BAKE**).
2. Enter the temperature on the keypad (for example 3-7-5) and touch **CONTINUE**.

IMPORTANT

If you increase the temperature by 50°F (28°C) or more, the oven will go into preheat mode to raise the temperature rapidly to the new setting. "**PRE-**" will appear on the display. To prevent excessive browning Dacor recommends that you remove the food from the oven when "**PRE-**" appears on the display. If you lower the temperature, it is best to wait until the display indicates the new lower temperature before you insert the food in the oven as well.

Changing the Oven Cooking Mode

To change to a different cooking mode while the oven is on, for example to change from Convection Bake to Bake:

1. Touch the key for the new cooking mode, for example **BAKE**.
2. Touch **CONTINUE**.

Preset (Jump-in) Temperature Settings

Your oven has a preset "jump-in" temperature setting for each of the cooking modes to reduce the need to always enter the temperature. See the table below. See **Starting Your Oven** for directions on how to cook at the preset temperature.

Cooking Mode	Preset Temperature
Convection Bake	325°F (163°C)
Convection Broil	555°F (291°C)
Pure Convection	325°F (163°C)
Convection Roast	375°F (191°C)
Bake	350°F (177°C)
Broil	555°F (291°C)

Operating Your Oven

Lock-Out Feature

If you want to disable the keys on the control panel when the oven is not in use:

- Push and hold the **CANCEL · SECURE** key for about three seconds. The control panel keys will stop working and "OFF" will appear on the display. Only the **CANCEL · SECURE** and the oven light keys remain functional. On double ovens, touching either **CANCEL · SECURE** key locks the control panel for both ovens.
- To reactivate the control panel, touch and hold the **CANCEL · SECURE** key for three seconds.



NOTE

Using the lock-out feature turns off the timers if they are in use.

12 Hour Timer Feature

Your oven is equipped with a feature that automatically turns it off after 12 hours of continuous use. The 12 hour timer resets if you change the cooking temperature or cooking mode.

The oven ships from the factory with the 12 hour timer enabled.



NOTE

The 12 hour timer is disabled when the Sabbath feature is in use.

To disable or enable the 12 hour timer feature...

- With the oven off, push and hold the **TIMER 1** key for about ten seconds, until the control panel beeps and "12Hr" appears on the display. "ON" will appear on the display if the 12 hour timer is enabled.
- Push the **#** key to disable (or enable) the 12 hour timer.
- Push **CANCEL · SECURE** to save the changes and return to the clock display.

Understanding the Various Oven Modes

The three basic styles of cooking in an oven are:

Baking - The gentle cooking of dry goods such as cookies, cakes, soufflés, etc.

Roasting - The cooking of meats or vegetables over a period of time.

Broiling - Cooking with an intense heat for a short amount of time.

Bake

Uses only a heat source from below the food. This mode is the stand-by, non-convection mode. All baked items will turn out nicely in this mode.

Baking Tips

- For best results, use a single rack when using bake mode. For cooking on multiple racks, Dacor recommends using one of the convection modes.
- Follow your recipe's original cooking time and temperature.
- Do not open the oven door frequently during baking. Look through the oven door window to check the progress of baking whenever possible.
- Use the timers to determine baking time.
- Wait until the shortest recommended baking time before checking the food. For most baked goods, a wooden toothpick placed in the center should come clean when the food is done.

Your oven offers three convection cooking modes...

- **Pure Convection**
- **Convection Bake**
- **Convection Roast**

As a general rule, in the convection modes time is about 25% shorter. Set the timer 15 minutes before the shortest stated time and add more time if necessary.

For Pure Convection and Convection Bake modes...

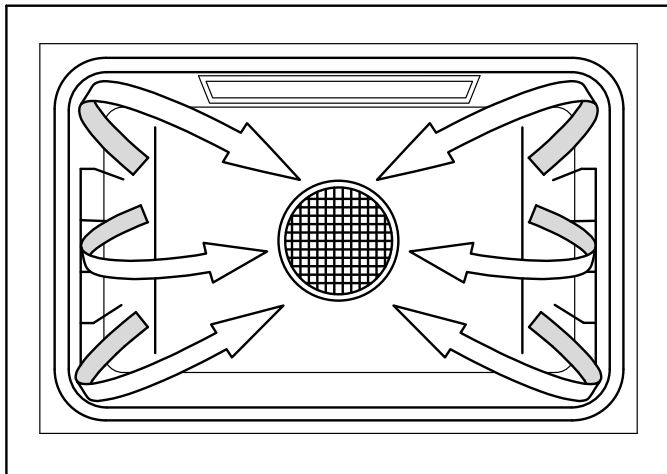
Some recipes, especially those that are homemade, may require adjustment and testing when converting from standard to convection baking. If you are unsure how to convert a recipe, begin by preparing the recipe using the standard bake settings.

If the food is not cooked to your satisfaction during this first convection trial, adjust one recipe variable at a time (such as cooking time, rack position, or temperature) and repeat the convection test. If necessary, continue adjusting one recipe variable at a time until you get satisfactory results.

Operating Your Oven

Pure Convection

The uniform air circulation provided by Pure Convection allows you to use more oven capacity at once. Use this mode for single rack baking, multiple rack baking, roasting and preparation of complete meals. Many foods, such as pizzas, cakes, cookies, biscuits, muffins, rolls and frozen convenience foods can be successfully prepared on two or three racks at a time. Pure Convection is also good for whole roasted duck, lamb shoulder and short leg of lamb.



For multiple rack baking...

- Typically, when baking on two racks with your oven, use rack positions #3 and #5 (counting from the bottom up). When baking on three racks, use rack positions #2, #4 and #6.
- When adapting a single rack recipe to multiple rack baking, it may be necessary to add to the baking time due to the extra bulk of the food in the oven.

Convection Bake

Use this mode for single rack baking. The combination of the convection fan and bottom heat source is best for fruit crisps, custard pies, double-crust fruit pies, quiches, yeast breads in a loaf pan and popovers. Also, items baked in a deep ceramic dish or earthenware clay pots are best in this mode. Most of these items cook in a deep pan and require browning on the top and bottom.

Convection Roast

Your oven's Convection Roast mode uses a combination of the convection fan and heat sources above and below the food. It is best for rib roasts, turkeys, chickens, etc.

Your oven offers two broil modes...

- **Broil**
- **Convection Broil**

WARNING

- Use the broil and convection broil modes only with the oven door completely closed.
- To avoid damage to the meat probe, remove it from the oven when using either of the broil modes. If the meat probe is connected the broil modes will not start. The meat probe symbol will flash when you attempt to start the oven in one of the broil modes with the meat probe connected.

Broiling is a quick, flavorful way to prepare many foods, including steaks, chicken, chops, hamburgers and fish.

Broil

Uses a top heat source. It is best for broiling smaller amounts of food.

Convection Broil

This mode uses a combination of the convection fan and a top heat source. It is best for items that do not need to be flipped such as, thinner cuts of meat, fish and garlic bread.

Broiling Tips

- To reduce the chance of overcooking, use rack positions 1 through 4. Results will vary based on the type of food being broiled and the rack position used.
- It is normal and necessary for some smoke to be present to give the food a broiled flavor.
- Setting the timer is recommended to time the broiling process.
- Always use a broiler pan and grill to provide drainage for excess fat and grease. Doing so will reduce spatter, smoke and flare-ups.
- Start with a room temperature broiler pan for even cooking.
- Use tongs or a spatula to turn and remove meats. Never pierce meat with a fork because the natural juices will escape.
- Broil food on the first side for a little more than half of the recommended time, then season and turn. Season the second side just before removing the food from the oven.

Operating Your Oven

Timers

WARNING

The timers on your oven do not turn the oven on or off. They are only for timing purposes. When you want to turn the oven off automatically, use the *Delay Timed Cooking Features*.

NOTE

Touching the **CANCEL · SECURE** key does **NOT** reset or stop the timers.

Your oven is equipped with two built-in timers...



- You can use both of them at the same time.
- You can time from 1 minute to 99 hours and 59 minutes.
- The timer symbol appears on the display when one or both of the timers is in use.

To use the timers on your oven...

1. Touch the **TIMER 1** or **TIMER 2** key.
2. Enter the hours and minutes to be timed on the keypad and touch **START**. To enter 11 hours, 30 minutes, touch 1-1-3-0. To time 25 minutes, touch 2-5. When you touch **START**, the time will appear on the display and begin to count down.

When the timer is done counting down, **0:00** will appear on the display. The timer number will flash on the display and the alarm (a beeping sound) will sound. The alarms for Timer 1 and Timer 2 have different patterns.

Timer	Alarm Pattern
①	1 second on, 1 second off, repeat
②	1 second on, 1 second off, 2 seconds on, 1 second off, repeat

When the alarm sounds, touch either **TIMER** key to stop the alarm. Touch **CLOCK** to return to the main display.

While a timer is running you can...

- Touch **CLOCK** to view the current time.
- Touch **TIMER 1** to view the time left on (or set) timer 1.
- Touch **TIMER 2** to view the time left on (or set) timer 2.

To change the amount of time on a timer...

1. Touch the **TIMER 1** or **TIMER 2** key.
2. Enter the new time on the keypad and touch **START**.

To stop a timer before time runs out...

1. Touch the **TIMER 1** or **TIMER 2** key twice. The timer will stop and the display will clear.
2. Touch **CLOCK** to return to the main display.

Delay Timed Cooking Features

If you want to set the oven to automatically turn itself on or off at a later time, you can use the delay timed features.

Things to Know About Delay Timed Cooking

- The delay timed options work for all of the various cook modes, except broil and convection broil.
- You may use the timers while using the delay timed features. The timers do not have an effect on any of the delay timed cooking options.
- The delay timed cycle can be canceled at any time by pushing **CANCEL · SECURE**.

WARNING

Food safety is an important consideration when using the delay timed features. To avoid potential sickness and the spoiling of food, take the following steps:

- Avoid using foods that will spoil while waiting for the oven to start cooking. Typical foods to avoid include: those containing eggs and dairy products, cream soups and cooked or uncooked meats, poultry and fish.
- Do not allow foods to remain in the oven after it turns completely off. When the temperature drops below 140°F (60°C), bacteria can develop (after hold mode).
- If cooking will not begin immediately, place only very cold or frozen food into the oven. Most unfrozen foods should never stand in the oven for more than two hours before cooking begins.

The Three Ways to Use Delay Timed Cooking

- Set the time the oven turns on (**START TIME**) and set it to turn off at a later time using either the **COOK TIME** key or the **STOP TIME** key.
- Set the **START TIME** only, then turn the oven off manually when you are done cooking.
- Turn the oven on manually and set it to turn off at a later time using either the **COOK TIME** key or the **STOP TIME** key.

About the 3 Delay Timed Settings

The delay timed cooking keys are:

- **START TIME**: The time the oven starts cooking
- **COOK TIME**: The amount of time the oven cooks before it goes into hold mode.
- **STOP TIME**: The clock time the oven turns off and goes into hold mode.

When you set 2 of the 3 above, the oven automatically calculates the third.

Operating Your Oven

About Hold Mode

- When you set the oven to stop cooking using the **COOK TIME** or **STOP TIME** keys, it will go into "hold" mode (**HLD** appears on the display) when it reaches the end of the cook time you have set. The oven will keep the temperature at 150°F (66°C) for two hours.
- Touch **CANCEL · SECURE** to turn the oven all the way off.
- To avoid sickness, do not allow foods to remain in the oven after it is off (after hold mode turns off).

Using Delay Timed Cooking



NOTE

Delay-timed cooking cannot be used in Sabbath mode.

1. Adjust the racks to the appropriate level.
2. Put the food in the oven.
3. Touch the key for the desired cooking mode (except Broil or Convection Broil).
4. Enter the desired cooking temperature on the number keypad.
5. If you want to turn the oven on immediately and turn off automatically at a later time, skip to step 8.
6. Touch the **START TIME** key.
7. Enter the time you want the oven to start on the keypad. For 12:35, touch 1-2-3-5. You may enter a time up to 22 hours and 59 minutes ahead of the present time. Touch **#** to change "AM" or "PM."
8. If you want to set the stop time or cooking duration, touch either the **STOP TIME** or **COOK TIME** key (otherwise skip to step 9). Using the **COOK TIME** key allows you to determine when the oven will stop cooking by entering the amount of time the oven is on. Using the **STOP TIME** key allows you to determine when the oven will stop cooking by entering the clock time. Using either key achieves the same result.
9. Touch **START**.
10. If you entered a **START TIME**, the oven will start at the start time entered.
11. If you entered a **COOK TIME** or **STOP TIME** the oven will cook until the time entered and then, go into hold mode.



IMPORTANT

The regular pre-heat feature (see page 5 for description) is disabled when using the Delay Timed Cooking features. The additional time required to reach the cooking temperature must be included in the amount of cooking time. The amount of cooking time required increases with the cooking temperature and the amount of food.

Other Things to Know About Delayed Timed Cooking

When the oven is in delay timed mode...

Push the **CLOCK** key to view the time.

Push the **START TIME** key to view the current start time setting.

Push the **STOP TIME** key to view the current stop time setting.

Push the **COOK TIME** key to view the current cook time setting.

Using the Meat Probe

When you cook foods like roasts and poultry, the internal temperature is the best way to tell when the food is properly cooked. Your oven's meat probe is an easy way to take the guesswork out of roasting. You can use it to cook food to the exact temperature you desire. The probe can be set from (38°C) to 200°F (93°C).



WARNING

- To avoid the possibility of burns, use hot pads to handle, connect and unplug the meat probe when the oven is hot.
- Use the handles to insert and remove the meat probe's skewer and to connect it to the oven. Pushing or pulling on either end of the cable could damage the meat probe. To avoid breaking the meat probe, make sure the food is completely defrosted before inserting the skewer.
- To prevent damage, never leave the meat probe inside the oven when it is not being used, especially during the self-clean cycle.
- Using a meat probe other than the one provided with your oven may result in damage to the probe and/or the oven.



NOTE

- The meat probe does not work with Broil or Convection Broil and Sabbath modes. Plug in the meat probe when using the above modes, the meat probe symbol will flash indicating an error.
- If the meat probe is accidentally disconnected after the **PROBE** key is touched, the meat probe symbol will flash and the error message "OPn" will appear on the display.


To use the meat probe...

1. Prepare the meat for cooking prior to setting the oven. Insert the meat probe skewer into the center of the meat. Make sure that the skewer is not inside any fatty portions of the meat and does not touch any bones. The point should rest in the thickest part of the meat. When you are cooking fowl, the tip of the skewer should rest toward the center of the bird.

continued...

Operating Your Oven

Using the Meat Probe (cont.)

- Before placing the meat in the oven and with the door closed, push the **BAKE, CONV BAKE, PURE CONV** or **CONV ROAST** key. The preset temperature will appear on the display. If you want to cook using a different oven temperature, enter it on the number keypad.
- Touch **START**.
- Allow the oven to preheat. Excessive browning may occur if the meat is placed in the oven during preheat mode (when "PRE-" appears on the display). Once the oven has preheated ("PRE-" disappears), put the meat in the oven using pot holders. Insert the meat probe plug into the connector inside the oven.
- Push the **PROBE** key. The preset probe temperature (160°F/71°C), as well as the probe symbol, will appear on the display. If you want to cook using a different probe temperature, enter it on the keypad. Use the **USDA Minimum Safe Cooking Temperature Chart** as a guideline for the type of meat you are cooking. 
- Touch **START**. If you do not touch **START**, Probe mode will not start.

When the meat probe is in use, the oven will automatically control the cooking time. The temperature on the display during cooking is the temperature measured inside the meat. The oven will continue to cook until the meat temperature reaches the temperature you have entered.

When the meat is done, the oven will go into hold mode. The temperature will reduce to 150°F (66°C) for two hours to keep the meat warm and safe for serving. To prevent sickness, do not allow foods to remain in the oven after it has turned off. Touch **CANCEL · SECURE** to cancel hold mode and turn the oven completely off.

To change the meat probe temperature during cooking...

- Touch **PROBE**. The current probe temperature will appear on the display.
- Enter the new temperature. The oven will automatically change to the new probe temperature. If you do not enter a temperature, the oven will continue to cook at the current setting.

To change the cooking mode during meat probe cooking...

- Touch the **CANCEL · SECURE** key.
- Touch the **BAKE, CONV BAKE, PURE CONV** or **CONV ROAST** key. If you want to cook using a temperature different than the preset oven temperature, enter it on the number keypad.
- Touch **CONTINUE**.

To cancel meat probe operation while the oven is cooking...

- Touch the **CANCEL · SECURE** key.

Important details about the meat probe:

- You must select the specific cooking mode (**BAKE, CONV BAKE, PURE CONV** or **CONV ROAST**) before you touch the **PROBE** key.
- When using the meat probe feature the preheat cycle is disabled. For best results, select the mode and allow the oven to preheat prior to starting the meat probe feature.
- The meat probe function will automatically cancel after 30 seconds if the meat probe is not connected. The meat probe symbol will flash on the display.
- The meat probe feature takes precedence over the delay timed cooking feature. The oven will continue to cook the meat until it reaches the selected meat probe temperature regardless of the **STOP TIME** or **COOK TIME** setting, then go into hold mode.

USDA Minimum Safe Internal Cooking Temperatures for Various Foods

Ground Meat and Meat Mixtures	
Beef, pork, veal, lamb	160°F (71°C)
Turkey, chicken	165°F (74°C)
Fresh Beef, Veal and Lamb	
Steaks, roasts, chops	145°F (63°C)
Poultry	
Chicken and turkey, whole (temperature taken in thigh)	165°F (74°C)
Poultry breasts, roast	165°F (74°C)
Poultry thighs, legs, wings	165°F (74°C)
Duck and goose	165°F (74°C)
Stuffing (cooked alone or in bird)	165°F (74°C)
Fresh Pork	
Fresh pork	160°F (71°C)
Ham	
Fresh (raw)	160°F (71°C)
Pre-cooked (reheat)	140°F (60°C)

NOTE: The minimum safe internal cooking temperatures are subject to change. There are changes in bacteria and the temperatures required to eradicate them. For the most current information, contact the USDA.

USDA Meat and Poultry Hot Line: Phone: (800) 535-4355
www.fsis.usda.gov

Operating Your Oven

Dehydrating/Defrosting

Your oven can be used to dehydrate or defrost foods at low heat settings in the Pure Convection mode.

WARNING

To avoid food poisoning, cook meats immediately after defrosting them.

To dehydrate or defrost foods

1. Adjust the racks to the appropriate level.
2. Place the food on the center of the oven rack. (If you are dehydrating, prepare food as recommended, then place it on a drying rack).
3. Touch the **PURE CONV** key.
4. To defrost meats, enter the temperature up to 150°F (66°C) on the keypad. To dehydrate, start by setting the temperature according to the table below. When dehydrating, you may need to experiment with higher temperatures.
5. Touch **START**.

Food Type	Dehydrating Temperature
Fruit	100°F (38°C)
Vegetables	125°F (52°C)
Meat	150°F (66°C)

Proofing

You can use your oven to proof yeasted doughs at a low and draft-free temperature using the Bake mode.

1. Touch the **BAKE** key*.
2. Enter the temperature of 100°F (38°C) on the keypad.
3. Touch **START**.
4. Place the dough in a greased bowl inside of the oven. Cover it with either a damp cloth or plastic wrap coated with a nonstick spray.
5. Turn on the oven lights.
6. Set the timer for the amount of rise time in the recipe.

* Double oven models have a **PROOF** key for the lower oven. In this case, you may touch it instead of the **BAKE** key. When using the **PROOF** key, the oven presets the temperature.

Sabbath Mode

The Sabbath mode on your oven complies with Jewish laws for use on the Sabbath and Holy Days. This feature allows the oven to perform two types of cooking, Bake and Pure Convection.

When the oven is set to Sabbath mode, it disables the following features:

- The oven lights
- All keys, except **CANCEL · SECURE**, **START** and the **0** and **2** keys on the number keypad.

NOTE

- “**Sab**” appears on the display when Sabbath mode is in operation.
- As with all other cooking modes, when setting the control panel for Sabbath operation all keys must be touched within 6 seconds of each other. Otherwise the control panel will automatically clear.
- On double oven models, you cannot use one oven in normal mode when the other oven is running in Sabbath mode.
- Sabbath mode will not work with the meat probe connected (the meat probe symbol will flash).
- Delay-timed cooking cannot be used in Sabbath mode.
- In the event of a power outage, the oven will return to Sabbath mode at the temperature it was last set to when power is restored.
- If one or both timers are running, the oven cancels timer operation when Sabbath mode is selected.
- You may want to use a rack thermometer to keep track of the oven temperature.

Setting Up the Sabbath Feature

1. Touch the **#** key.
2. Touch the **BAKE** or **PURE CONV** key. On double ovens, be sure to touch the **BAKE** or **PURE CONV** key for the oven you want to use.
3. Touch the **0** or **2** keys repeatedly if you want to change the pre-selected cooking temperature shown on the display.
4. Touch (only) the **START** key. The oven will go into Sabbath mode and cook using the method selected in step 2.

Things to Know about Sabbath Mode

- The **CANCEL · SECURE** key on your oven remains active so that you can turn off the Sabbath feature or turn off the oven. On double ovens, both **CANCEL · SECURE** keys remain active so you can turn off one oven and leave the other oven running.

continued...

Operating Your Oven

Things to Know about Sabbath Mode (cont.)

- On double ovens, you may repeat steps 2 - 4 to start the other oven. Double oven models are equipped for Pure Convection only in the upper oven.
- When the oven is cooking, touching the **2** key on the number keypad, then **START**, tells the oven to raise the temperature by 25°F (15°C). Touching the **0** key on the number keypad, then **START**, tells the oven to lower the temperature by 25°F (15°C). In compliance with Jewish law, the bake element will be adjusted randomly when these keys are touched and no changes will be seen on the display. On double ovens, you must touch the **BAKE** or **PURE CONV** key for the oven on which you want the temperature changed before touching the **0** or **2** key.

Adjusting the Oven Temperature

Even though your oven is adjusted at the factory to cook at the temperature shown on the display, it may cook faster or slower than your old oven.

WARNING

Do not adjust the probe or self-clean offset temperatures. The offset for the **PROBE** and **Self-clean** offsets must remain at 0 for proper and safe operation.

IMPORTANT: Do not measure the temperature inside the oven with a thermometer. Opening the door will cause an incorrect reading. Also, the temperature inside the oven will vary as the elements cycle on and off.

If you are not satisfied with the results from your oven, you can adjust the temperature offset as follows:

1. With the oven off, touch and hold the **0** and **#** keys on the number keypad at the same time. After about three seconds "**PASS**" will appear on the display.
2. Immediately enter **6428** on the number keypad, then **START**. "**SLCT**" (select) will appear on the display.
3. Touch the key for the cooking mode you want to change the offset for (**CONV BAKE, CONV BROIL, PURE CONV, CONV ROAST, BAKE** or **BROIL**).
The current offset temperature will appear on the display, for example "**00**", if you have not adjusted the temperature before.
4. Enter the amount you want to increase or decrease the temperature on the number keypad. To enter a minus sign, touch the **#** key after the number(s). A minus sign means that the oven will be cooler by the amount shown. When there is no sign in front of the number, the oven will be hotter by the amount shown. You may enter a number between 35°F or -35°F (18°C or -18°C). **NOTE:** "**Edit**" appears on the display when you start to enter the offset value.
5. Touch **START** to save the setting.
6. Repeat steps 3 to 5 above for any other cooking modes you need to offset.
7. Touch **CANCEL** to exit offset mode.

Care and Cleaning

WARNING

- Clean only the parts of the oven listed in this manual. Clean them only in the manner specified.
- To avoid dangerous fumes or damage to your oven's surfaces and accessories, use only the types of cleaning solutions specified in this manual.
- To avoid burns, turn off the oven(s) and make sure that all parts are cool before cleaning.
- To prevent damage, do not use abrasive or corrosive cleaners or applicators such as steel wool or scouring pads, on any part of the oven unless instructed to do so. Use only a sponge, soft cloth, fibrous or plastic brush or nylon cleaning pad for cleaning the surfaces of your oven.
- Do not use a steam cleaner to clean the oven. Steam could penetrate the electrical components and cause a short circuit.
- Do not try to remove heavy spills with a sharp object such as a knife or metal spatula. Sharp objects may scratch your oven's surfaces.

Your Oven's Self-clean Feature

About the Self-clean Cycle

- The oven will run better and produce better baked goods when it is clean. During self-cleaning, the oven is heated to very high temperatures which burn off any deposits on the surfaces of the oven. Self-cleaning eliminates the need for manual scrubbing of interior surfaces. The self-clean process takes about 2 1/2 hours.
- It is normal for the oven to emit smoke during the first few self-clean cycles. It is also normal for the oven to emit popping sounds during self-cleaning. These sounds are caused by the expansion and contraction of metal surfaces when the oven heats up and cools down.
- Self-clean mode will not function if the meat probe is connected.

Care and Cleaning

WARNING

- Always wipe up excess grease and other food spills with a damp cloth prior to using the self-clean cycle. Doing so will minimize smoke and increase efficiency. See the proper cleaning instructions on this page. Do not touch the outside surfaces of the oven during the self-clean cycle. They will be hot.
- Items left in the oven (including the racks) during self-cleaning will become damaged or damage the oven.

How to Use the Self-clean Feature

IMPORTANT

- On double ovens, the control panel will only allow one oven chamber to be self-cleaned at a time due to the amount of power consumed. Also, the double oven will not allow you to cook in one oven while the other is in self-clean mode.
- The oven lights do not operate while the oven is in self-clean mode to protect them from damage.
- Self-clean will not work with the meat probe connected (the meat probe symbol will flash).

1. Before self-cleaning the oven, remove the racks, the convection filter, all cookware (pots, pans, forks, etc.), the meat probe, foil and any other loose objects from the oven chamber. See page 17 for filter cleaning instructions.
2. Clean soil from the porcelain surfaces of the door outside of the door gasket. Rinse surfaces well with a solution of vinegar and water, then wipe dry. Heavily soiled areas may be cleaned with a non-scratching scouring pad.
3. Clean the door gasket by dabbing it with a solution of water and mild soap.



CAUTION

- Take extreme caution when cleaning the door gasket. Rubbing or displacing it may damage the tight door seal required for proper cooking and self-cleaning.
- Do not try to force the door open after it is locked. Damage to the door or latch may result.

4. Turn on kitchen fans or vents to help remove odors during the self-clean cycle.
5. Make sure the oven door is shut.
6. Touch the **Self-clean** key.
7. Touch the **START** key (located on the far left of the control panel).

The control panel automatically locks the oven door during self-cleaning. The latch prevents the door from being opened since the high interior oven temperatures can easily cause injury. If the door is not shut, an error message will appear on the display. To correct the problem, touch **CANCEL · SECURE** and wait approximately one minute, then close the door. When the door is properly closed, start the self-clean process again.

The display shows the self-clean cycle status:

- The clean symbol indicates that self-clean is in process. 
- The lock symbol indicates that the door is latched. 
- **"ON"** indicates that the heating elements are on.

If you want to stop the self-clean cycle, touch the **CANCEL · SECURE** key. Keep in mind that the oven door will remain locked until it is safe enough to open. The lock symbol will disappear from the display when the door lock is released. You will still need to exercise caution when the door lock is released because the inside of the oven may still be hot.

After the self-clean cycle is complete...

- The door latch will release when the inside has cooled down. The clean icon, lock icon and **"ON"** will disappear from the display. Exercise caution because the oven will still be hot at the time the door lock is released.
- Reinstall the convection filter and oven racks before using your oven.
- You may notice a powder ash residue in the bottom of the oven after self-cleaning. This condition is normal. Use a damp cloth or sponge to wipe up the residue after the oven cools down.

Self-cleaning Tips

- If any soil remains in the oven after the self-clean cycle is complete, you may repeat the cycle if you want.
- Self-clean the oven regularly to prevent excessive soil build-up. Doing so will make the self-clean cycle work better and reduce smoke and odors.

Setting the Oven to Self-clean at a Later Time

1. Prepare the oven for self-cleaning as instructed above. Observe all safety precautions and remove all items listed from inside the oven. Clean the door gasket and around the door as instructed.
2. Close the oven door.
3. Touch the **Self-clean** key.
4. Touch the **START TIME** key.

continued...

Care and Cleaning

Setting the Oven to Self-clean at a Later Time (cont.)

5. Enter the desired start time. For example, touch 1-2-3-0 for 12:30. You may enter a time up to 22 hours and 59 minutes ahead of the present time.
6. Touch **START**. When you touch **START**, "DELAY" will appear on the display and the oven door will lock. The oven will start to self-clean at the time selected.

When the oven is set to clean at a later time...

- If you want to view the time, push the **CLOCK** key.
- If the clock is displayed, you can push **START TIME** to check when the self-clean cycle will start.
- When the self-clean cycle starts, "DELAY" will disappear and "ON" will appear on the display.

To cancel the time delayed self-clean cycle...

- Touch **CANCEL/SECURE**.
- If the self-clean process has not started, allow about a minute for the door to unlock before attempting to use the oven.
- If the oven is in the middle of the self-clean process, the door will unlock when the oven has cooled down enough to open safely. The oven will still be hot (about 400°F/205°C).

Quick Steam Clean

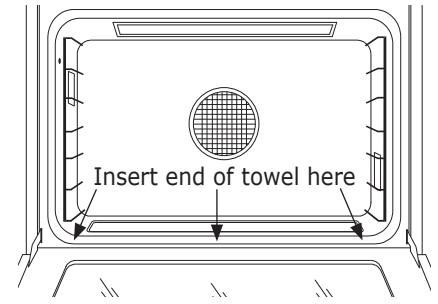
The steam clean process is a quick, simple way to clean light soil inside the oven. Steam cleaning allows you to save time and energy over the self-clean process, which should be used for heavier soil build up. Also on double ovens, unlike the self-clean process, the quick steam clean process may be performed on both ovens at the same time.

WARNING

- To avoid steam burns, do not pour water into the oven when it is hot.
- The water remaining inside the oven will still be hot to the touch when the door is opened after the process.
- Do not use a temperature higher than 185°F (85°C)

1. Remove the oven racks and all utensils from the oven.
2. Making sure the oven is cool, pour 1 1/2 cups of water (preferably distilled) into the recessed portion of the oven floor. For slightly heavier build up, you may mix a teaspoon of hand dishwashing soap into the water prior to pouring.

3. Fold a dish towel in half and insert the end (double thickness) between the door and the door gasket (right to left) to catch water that may dribble out during the process. Lay the rest of the towel just inside on the oven floor.



4. Close the oven door, touch the **BAKE** key, then set the oven to 185°F (85°C). Touch **START**.
5. Set the timer (see page 10) for 20 minutes.
6. When the timer beeps, touch **CANCEL · SECURE**. Wait 10 minutes before opening the door. When you open the door, there will usually be a large amount of steam, condensation and some water inside.
7. Using a soapy sponge, wipe down the inside of the door window first. Then carefully sponge out the remaining water from the inside of the oven.
8. Scrub the inside of the oven with the soapy sponge until grease and soil is removed from the surfaces inside. Lime deposits can be removed with a cloth soaked in vinegar.
9. Make sure all surfaces are dry after cleaning by wiping down the oven with paper towels. Leave the door partially open to allow any left over condensation to escape.

Repeat the process any time soil begins to build up inside.

Cleaning the Exterior

Control Panel

WARNING

Do not use abrasive cleaners or scrubbers on the control panel. They will permanently damage the finish.

To avoid accidentally turning the oven on while cleaning the control panel, activate the lock-out feature. Touch the **CANCEL · SECURE** key for six seconds. The lock-out feature disables the keys. When the control panel is locked, the word "OFF" appears on the display.

When you want to re-activate the control panel, touch **CANCEL · SECURE** for six seconds.

Clean the control panel with the soft side of a sponge dampened with a mild solution of detergent and warm water. Dry completely with a soft, lint-free cloth.

Care and Cleaning

Stainless Steel Surfaces

CAUTION

Always wipe stainless steel (silver colored) surfaces with the grain. To prevent scratching, do not use abrasive cleaners or scrubbers on stainless steel surfaces.

Using a soft cloth, clean metal surfaces with a mild solution of detergent and warm water. Rinse and dry with a soft, lint-free cloth.

Glass (Interior and Exterior)

Use a mild glass cleaner to remove finger prints on glass surfaces. You can also clean glass surfaces with Dacor Cooktop Cleaning Creme. Use it according to the directions on the package.

You may scrub the oven light lens with the rough side of a sponge and warm, soapy water. Be careful not to scratch the lens.

Cleaning the Interior

Convection Filter

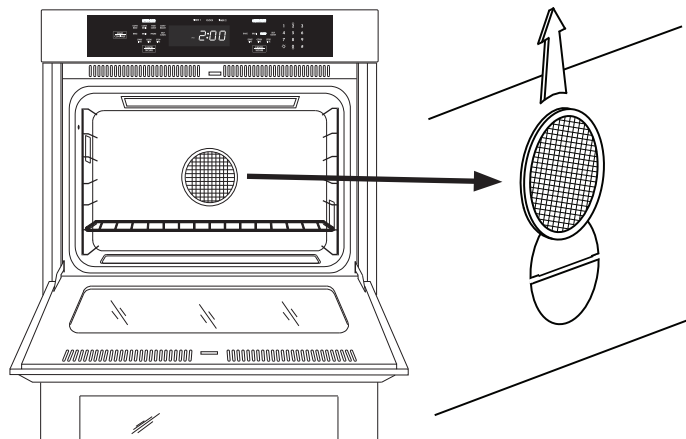
WARNING

For your safety and proper oven performance, re-install the filter before using the oven to cook. If you don't, the spinning fan blades at the back of the oven will be exposed.

The convection filter is located in the back of the oven chamber (upper chamber only on double ovens). Clean the filter regularly. If it becomes clogged, the oven's convection cooking modes will not work properly. You also need to remove the filter during the self-clean cycle.

Removing your oven's convection filter...

When the oven is cool, put your fingers around the edges of the filter and gently push up.

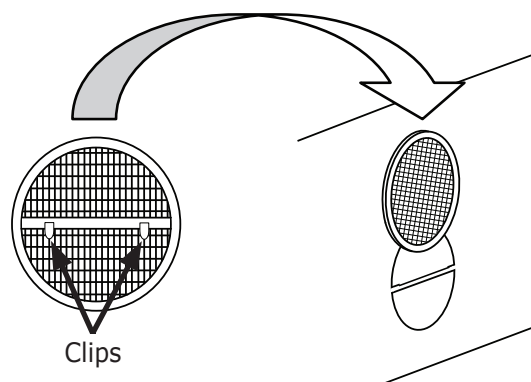


To clean the filter...

Soak it in hot, soapy water. Rinse well. You may also place it in a dishwasher on the top rack. Dry the filter before re-installing it.

Installing your oven's convection filter...

Carefully hook the metal clips on the back of the filter over the metal bar across the fan hole. Make sure it is centered over the hole. Be careful not to scratch the porcelain surfaces with the back of the filter.



Door Gasket (Seal)

WARNING

Take extreme caution when cleaning the door gasket. Rubbing or displacing it may damage the tight door seal required for proper cooking and self-cleaning.

Clean the door gasket by dabbing it with a solution of water and mild soap. Do not scrub it or it will become damaged.

Oven Racks

CAUTION

To prevent damage, do not self-clean the oven racks.

To clean the oven racks, apply a solution of detergent and hot water. When you need to clean heavy soil, use a scouring pad such as steel wool with plenty of water. You may also use a solution of one cup of ammonia to 2 gallons of water.

Meat Probe

WARNING

- To prevent damage, do not immerse the meat probe in water.
- The meat probe will not function properly if the plug the connects to the oven is wet.

The meat probe is constructed of silicone handles, a wire, a plug and a stainless steel skewer. To clean the skewer, use a scouring pad and hot, soapy water. When you clean the handles, wipe them with a soft sponge soaked with a solution of detergent and warm water. Dry thoroughly.

Care and Cleaning

Replacing the Light Bulbs

WARNING

- To prevent an electric shock hazard and/or personal injury, make certain that the oven and light bulb(s) are cool and that power to the oven has been turned off at the main power supply before replacing the light bulb(s).
- Always make sure the lens covers are in place when using the oven(s). The lens covers protect the light bulbs from breakage caused by high oven temperatures or mechanical shock.
- Replacing the lens cover without lining up the cutout with the light socket will damage the light fixture.
- Do not use a screwdriver to remove the lens.

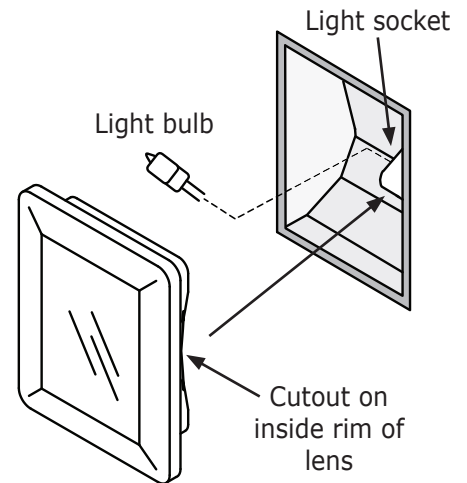
Light bulb replacement is considered to be a homeowner maintenance operation. If all the lights do not work, before replacing them, please consult the **Problem Solution Guide** on page 18.

IMPORTANT

Do not touch the replacement halogen light bulbs with your fingers. Halogen bulbs are sensitive to the oils from your hand. The oils from your hand will stick to the bulb and cause it to burn out faster than normal.

To replace the light bulbs...

1. Replace the light bulb only with Dacor part number 107112 (120 Volt 20 Watt). Visit www.everythingdacor.com for ordering information.
2. Turn off power to the oven at the circuit breaker panel or fuse box.
3. Hold your hand under the lens for support and gently pry it loose using a spatula or table knife. Pull the lens cover straight out.
4. Grasp the old bulb and pull it straight out of the socket.
5. Using a glove, insert the new bulb into the socket.
6. As you reinstall the lens cover, line up the cutout on the inside rim with the light socket. Gently press it into its original position.
7. Turn the power to the oven back on at the main power supply.
8. Reset the clock (see page 5).



Before You Call for Service

Problem Solution Guide

Problem	May Be Caused By	What to Do
Nothing works.	Oven not connected to power.	Have a licensed electrician connect oven to properly wired electrical connection.
	Power to oven is off.	Turn on power at circuit breaker or fuse box. Check for tripped breaker or blown fuse.
	Control panel locked.	Touch CANCEL · SECURE key for six seconds to reactivate control panel
	Power outage.	Contact power company
Oven will not heat.	Oven setting not correct.	Touch CANCEL · SECURE , then follow instructions in Operating the Oven section.
	Oven set for delay timed cooking.	Oven will turn on automatically at preset time. Touch CANCEL · SECURE to return to normal operation.
	Attempting to broil with the meat probe connected.	Broil and convection broil settings will not work when meat probe is connected. Disconnect meat probe.
Foods over or under cook.	Incorrect cooking time or temperature.	Follow instructions in Operating Your Oven section.

Before You Call for Service

Problem	May Be Caused By	What to Do
Foods over or under cook.	Incorrect cooking time or temperature.	Follow instructions in Operating Your Oven section.
Oven shuts off by itself after it has been on for 12 hours.	12 hour timer is on. Unit is set to turn off automatically after 12 hours of continuous use.	Turn off 12 hour timer. See page 8.
Oven does not self-clean.	Oven door not shut tightly.	Check for obstructions. Shut door tightly.
	Oven set for delay timed cleaning.	Oven will start to self-clean at preset time. Touch CANCEL · SECURE to return to normal operation.
	Oven not set properly.	Follow instructions in Care and Cleaning section.
	Meat probe connected.	Oven will not start self-clean cycle when meat probe is connected. Disconnect and remove meat probe.
Oven door will not open.	Oven is set to self-clean.	Check display. If lock symbol appears on display, oven door cannot be opened. Wait for oven to complete self-clean or touch CANCEL · SECURE . Door will unlock once oven has cooled.
Oven lights will not work.	Oven in self-clean mode.	Lights do not work when oven is in self-clean mode. See page 15.
	Oven in Sabbath mode.	Lights do not work when oven is in Sabbath mode. See page 13.
	Light bulbs burned out.	Replace light bulbs.
Oven lights will not turn off.	Light key is set to on.	Touch light key to turn lights off.
Sabbath mode does not work.	Meat probe connected.	Oven will not start Sabbath mode when meat probe is connected. Disconnect and remove meat probe.
Oven goes into hold mode too quickly after meat probe is connected.	Meat probe connector is still wet after cleaning.	Dry metal portion of the plug that connects to the oven using a soft dry rag.
Cooling fan continues to run after oven has been turned off.	Normal operation.	The cooling fan may run for a while after the oven is turned off, until the internal parts have cooled.
Time on display not correct.	Time of day not set.	Set time. See page 5.
	Power failure or power was turned off.	Reset time. See page 5.
Cannot set clock.	Oven in use. Clock cannot be set while oven is in use.	Turn off oven to set clock.
Time flashes on display.	Power failure or power turned off.	Reset time. See page 5.
Control panel does not "beep" when touching the keys on the control panel and when the timer runs down to zero.	Control panel tone ("beep") is set to off.	Turn control panel tone ("beep") on. See page 5.
Error code appears and stays on display, for example "U55."	An error code having a letter with a number following it that appears and stays on the display indicates a problem that cannot be resolved by the customer.	Call for service.

Warranty and Service

Getting Help

Before you request service:

1. Review the **Before You Call for Service** section of this manual (page 18).
2. Use the helpful tips found in our **Problem Solution Guide**.
3. Become familiar with the warranty terms and conditions of your product.
4. If none of these tips or suggestions resolves your problem, call our Customer Service center at the number below.

Dacor's Customer Service center is available
6:00 A.M. – 5:00 P.M. Pacific Time

For warranty repairs or questions and for Dacor Distinctive Service (DDS) in the US and Canada
Phone: (800) 793-0093, extension 2822

For non-warranty repairs or questions in the US and Canada
Phone: (800) 793-0093, extension 2813

Contact us through our web site at:

www.dacor.com/contact-us

Warranty

What Is Covered

CERTIFICATE OF WARRANTIES: DACOR OVENS

WITHIN THE FIFTY STATES OF THE U.S.A., THE DISTRICT OF COLUMBIA, AND CANADA:

FULL ONE-YEAR WARRANTY

The warranty applies only to the Dacor appliance sold to the first use purchaser, starting from the date of original retail purchase or closing date for new construction, whichever period is longer. Warranty is valid on products purchased brand new from a Dacor Authorized Dealer, or other seller authorized by Dacor.

If your Dacor product fails to function within one year of the original date of purchase, due to a defect in material or workmanship, Dacor will remedy it without charge to you.

All cosmetic damage (such as scratches on stainless steel, paint/porcelain blemishes, etc.) to the product or included accessories must be reported to Dacor within 60 days of the original purchase date to qualify for warranty coverage. Consumable parts such as filters and light bulbs are not covered and are the responsibility of the purchaser.

LIMITATIONS OF COVERAGE

Service will be provided by a Dacor designated service company during regular business hours. Please note service providers are independent entities and are not agents of Dacor.

Dealer display and model home display products with a production date greater than 5 years, products sold "As Is," and products installed for non-residential use, which include but are not limited to religious organizations, fire stations, bed & breakfast, and spas carry a one year parts warranty only. All delivery, installation, labor costs, and other service fees are the responsibility of the purchaser.

Warranty will be null and void on product that has altered, defaced, or missing serial numbers and tags or if non-ETL or non-CUL approved product is transported from the U.S.A.

The owner must provide proof of purchase or closing statement for new construction upon request. All Dacor products must be accessible for service.

OUTSIDE THE FIFTY STATES OF THE U.S.A., THE DISTRICT OF COLUMBIA, AND CANADA:

LIMITED FIRST YEAR WARRANTY

If your Dacor product fails to function within one year of the original date of purchase due to a defect in material or workmanship, Dacor will furnish a new part, F.O.B. factory to replace the defective part.

All delivery, installation, labor costs and other service fees are the responsibility of the purchaser.

What Is Not Covered

- Slight color variations may be noticed because of differences in painted parts, kitchen lighting, product placement and other factors; this warranty does not apply to color variation.
- Service calls to educate the customer on proper use and care of the product.
- Service fees for travel to islands and remote areas, which include but are not limited to, ferries, toll roads or other travel expenses.
- Consequential or incidental damage, including but not limited to food or medicine loss, time away from work or restaurant meals.
- Failure of the product when used for commercial, business, rental or any application other than for residential consumer use.
- Failure of the product caused by improper product installation.
- Replacement of house fuses, fuse boxes or resetting of circuit breakers.
- Damage to the product caused by accident, fire, flood, power interruption, power surges or other acts of God.
- Liability or responsibility for damage to surrounding property including cabinetry, floors, ceilings and other structures or objects around the product.
- Breakage, discoloration, or damage to glass, metal surfaces, plastic components, trim, paint or other cosmetic finish caused by improper usage, care, abuse or neglect.

Out of Warranty

Should you experience a service issue beyond the standard warranty period, please contact us. Dacor reviews each issue and customer concern to provide the best possible solution based on the circumstances.

THE REMEDIES PROVIDED IN THE ABOVE EXPRESS WARRANTIES ARE THE SOLE AND EXCLUSIVE REMEDIES. THEREFORE, NO OTHER EXPRESS WARRANTIES ARE MADE, AND OUTSIDE THE FIFTY STATES OF THE UNITED STATES, THE DISTRICT OF COLUMBIA AND CANADA, ALL IMPLIED WARRANTIES, INCLUDING BUT NOT LIMITED TO, ANY IMPLIED WARRANTY OF MERCHANTABILITY OR FITNESS FOR A PARTICULAR USE OR PURPOSE, ARE LIMITED IN DURATION TO ONE YEAR FROM THE DATE OF ORIGINAL PURCHASE. IN NO EVENT SHALL DACOR BE LIABLE FOR INCIDENTAL EXPENSE OR CONSEQUENTIAL DAMAGES. IN THE EVENT DACOR PREVAILS IN ANY LAWSUIT, DACOR SHALL BE ENTITLED TO REIMBURSEMENT OF ALL COSTS AND EXPENSES, INCLUDING ATTORNEY'S FEES, FROM THE DACOR CUSTOMER. NO WARRANTIES, EXPRESS OR IMPLIED, ARE MADE TO ANY BUYER FOR RESALE.

Some states do not allow limitations on how long an implied warranty lasts, or do not allow the exclusion or limitation of inconsequential damages, therefore the above limitations or exclusions may not apply to you. This warranty gives you specific legal rights, and you may also have other rights that vary from state to state.

FOUR MURAL

Modèles : DTO127, DTO130, DTO130, DTO230,
DTOV127, DTOV130, DTOV130, DTOV230



Le style varie, modèle illustré DTO230

Table des matières

Importantes instructions de sécurité.....	22
Caractéristiques	24
Utilisation.....	27
Entretien et nettoyage	36
Avant de demander une réparation	40
Garantie et service.....	42

Importantes instructions de sécurité

INSTALLATEUR : LEAVE THESE INSTRUCTIONS WITH THE APPLIANCE.

CUSTOMER: READ THIS USE AND CARE MANUAL COMPLETELY BEFORE USING THIS APPLIANCE. SAVE IT FOR FUTURE REFERENCE.

Pour plus de renseignements sur le service et la garantie, voir page 42.

Si vous avez des questions, appelez :

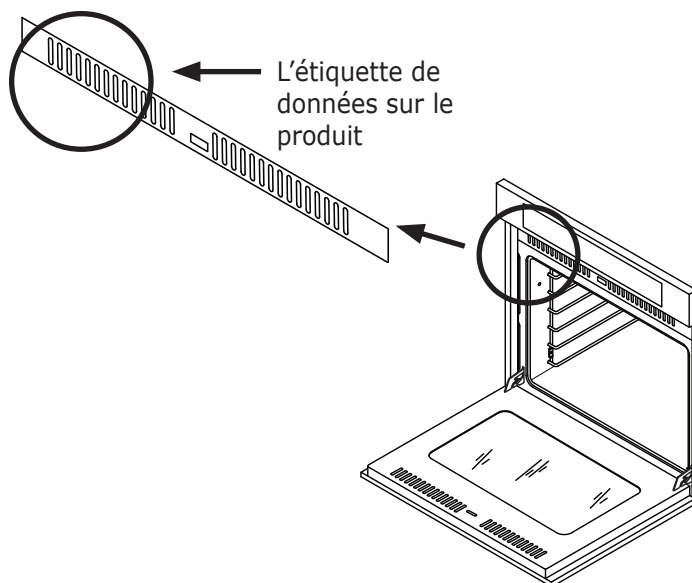
Équipe de service à la clientèle Dacor
Téléphone : (800) 793-0093 (É.-U. et Canada)
Du lundi au vendredi, de 6 h à 17 h, heure du Pacifique
Site web : www.dacor.com

Lors de la prise de contact, vous devrez communiquer le nom du modèle et le numéro de série de l'appareil. Notez ces numéros sur cette page pour les avoir sous la main. Le modèle et le numéro de série sont imprimés sur l'étiquette de données sur le produit. On peut le voir à travers le gril situé sous le tableau de commande. Ouvrir la porte pour exposer le gril. Sur les fours doubles, l'étiquette est située derrière le gril du haut.

Numéro de modèle _____

Numéro de série _____

Date d'achat _____



Dans notre effort continu d'améliorer la qualité et la performance de nos produits, il peut être nécessaire d'apporter des modifications à l'appareil sans révision de ce guide.

Se rendre au site www.dacor.com pour télécharger la dernière version du présent manuel.

Ce qui vous devez savoir instructions de sécurité

Instructions de sûreté d'avertissement et importantes apparaître en ce livre ne sont pas censés couvrir toutes les conditions possibles et situations qui peuvent se produire. Le bon sens, l'attention et le soin doivent être employés en installant, en maintenant ou en actionnant un appareil.

Entrez en contact avec toujours le fabricant au sujet des problèmes ou des conditions que vous ne comprenez pas.

Symboles de sûreté, mots et étiquettes

DANGER

Risques immédiats qui **RÉSULTERONT** en de graves blessures ou même la mort.

ADVERTISSEMENT

Risques ou pratiques non sûres, qui **POURRAIENT** résulter en de graves blessures ou même la mort.

MISE EN GARDE

Risques ou pratiques non sûres qui **POURRAIENT** résulter en des blessures mineures ou dégâts matériels.

DANGER

IMPORTANT : N'entreposez et n'utilisez pas d'essence ou autres vapeurs et liquides inflammables à proximité de cet appareil ou de tout autre appareil électroménager. Garder les articles qui pourraient exploser, comme les générateurs d'aérosol, éloignés des appareils ménagers. Ne pas entreposer de produits inflammables ou explosifs dans des armoires ou zones attenantes (ou au-dessus et au-dessous).

ADVERTISSEMENT

ADVERTISSEMENT : **NE JAMAIS** utiliser cet appareil comme dispositif de chauffage de la pièce. Le non-respect de cette instruction peut entraîner une surchauffe de l'appareil.

ADVERTISSEMENT

ADVERTISSEMENT : **NE JAMAIS** couvrir les fentes, les trous, les grilles ou les passages sur l'appareil ménager. Ne pas revêtir le four de papier d'aluminium ou d'un autre matériel. Le faire empêche l'air de circuler dans le châssis et peut causer un incendie.

Avertissements de la proposition 65 de l'État de Californie :

ADVERTISSEMENT : Ce produit contient au moins un produit chimique connu par l'État de Californie pour être à l'origine de cancers.

ADVERTISSEMENT : Ce produit contient au moins un produit chimique connu par l'État de Californie pour être à l'origine de malformations et autres déficiences de naissance.

LIRE ET CONSERVER CES DIRECTIVES

Importantes instructions de sécurité

Mesures de sécurité générales

Pour réduire le risque d'incendie, de choc électrique, de blessures ou de dommages lors de l'utilisation de cet appareil, il convient d'observer certaines précautions élémentaires dont les suivantes :

AVERTISSEMENT

- Si le produit reçu est endommagé, contactez immédiatement votre revendeur ou votre constructeur. Ne pas installer ou utiliser un appareil ménager endommagé.
- Assurez-vous que votre appareil est bien installé et mis à la terre par un installateur qualifié, conformément aux directives d'installation fournies. L'installateur doit montrer au client l'emplacement du tableau disjoncteurs ou du coffret de fusibles afin qu'il sache où il se trouve et comment couper l'alimentation vers l'appareil.
- Ne pas réparer ni remplacer toute pièce du four si ce n'est pas spécifiquement recommandé dans les instructions. Toute autre opération d'entretien ou de réparation doit être confiée à un technicien qualifié.
- Avant de réparer l'appareil, coupez le courant au tableau de distribution et bloquez le disjoncteur pour éviter que le courant ne soit accidentellement rétabli.
- N'utilisez cet appareil que pour l'usage auquel il est destiné, comme expliqué dans le présent manuel. Cet appareil ménager n'est pas destiné à l'utilisation commerciale ou de laboratoire.
- **NE PAS TOUCHER LES SURFACES CHAUDES DE L'APPAREIL MÉNAGER OU LES ZONES AVOISINANTES PENDANT OU IMMÉDIATEMENT APRÈS L'UTILISATION.**
- S'assurer que cet appareil ménager est uniquement utilisé par les personnes qui peuvent s'en servir correctement.
- Ne jamais laisser qui que ce soit, y compris les enfants, s'asseoir, se tenir debout ou grimper sur un appareil, qui pourrait entraîner le basculement, des dommages, des blessures graves ou la mort.
- Ne pas laisser les enfants ou les animaux domestiques seuls ou sans surveillance dans la zone autour de l'appareil ménager. Ne pas laisser les enfants jouer avec les commandes ou toucher d'autres parties de l'appareil ménager.
- Ne pas entreposer des articles intéressants pour les enfants sur l'appareil ou au-dessus de ce dernier. Les enfants pourraient se brûler ou se blesser s'ils grimpent sur l'appareil.
- Ne pas endommager les commandes.
- Afin de prévenir les blessures attribuables au basculement vers l'avant de l'appareil, fixer l'appareil à l'armoire à l'aide des vis de montage fournies.
- Ne pas chauffer des contenants d'aliments non ouverts, des pots de verre fermés ou des oeufs entiers. Ils peuvent exploser et causer des blessures.
- Ne pas utiliser d'eau pour éteindre un feu de graisse. Il peut y avoir une violente explosion de vapeur. Étouffer le feu ou les flammes ou utiliser des extincteurs polyvalents à produits chimiques secs ou un extincteur à mousse. Il faut éviter de se brûler.
- Garder les articles inflammables, comme le papier, le carton, le plastique et l'étoffe éloignés des surfaces chaudes. Ne pas placer produits inflammables à l'intérieur du four. Ne pas laisser les poignées toucher les surfaces chaudes.

AVERTISSEMENT

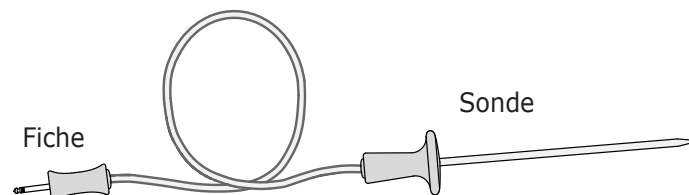
- Ne pas porter de vêtements amples ou libres pendant l'utilisation de cet appareil ménager. Ne pas laisser les vêtements, les poignées, les serviettes ou les chiffons entrer en contact avec les surfaces chaudes immédiatement après l'utilisation.
- Ne pas utiliser de serviettes ou de chiffons encombrants comme poignée.
- Ne pas utiliser le four pour l'entreposage.
- Nettoyer et entretenir correctement l'appareil ménager régulièrement en suivant les instructions figurant au mode d'emploi. Nettoyer souvent toutes les surfaces couvertes de graisse afin de prévenir les incendies provoqués par les graisses et maintenir le rendement.
- Ne pas toucher les surfaces extérieures de l'appareil ménager pendant le cycle d'autonettoyage. Elles seront chaudes.
- Utiliser seulement une batterie de cuisine pour l'utilisation prévue. Vérifier les recommandations du fabricant avant d'utiliser l'ustensile pour déterminer s'il peut être utilisé dans une four. Certains types de verre, de céramique et de terre cuite ne conviennent pas aux four. L'utilisation inappropriée de la batterie de cuisine peut causer des blessures ou des dommages.
- Exercer une grande prudence lors de l'ouverture de la porte. Laisser l'air chaud ou la vapeur s'échapper avant de regarder à l'intérieur.
- Il faut être très prudent si on ajoute de l'eau aux aliments chauds. La vapeur peut causer des brûlures graves.
- Utiliser seulement des mitaines sèches de four – Des mitaines de four mouillées ou humides sur des surfaces chaudes peuvent provoquer des brûlures provenant de la vapeur.
- Pour des raisons de sécurité et pour un bon rendement du four, ne pas utiliser le four pour la cuisson sans le filtre à convection installé. Lorsque le filtre n'est pas installé, les pales de ventilateur en rotation à l'arrière du four sont exposées.
- Ne pas laisser les aliments reposer pendant plus d'une heure avant ou après la cuisson. La consommation d'aliments avariés peut causer l'intoxication alimentaire.
- Ne pas laisser d'objets, comme du papier d'aluminium, la sonde thermique ou des plaques à biscuits au bas du four. Ne pas couvrir les éléments de grillage sur le plafond de la chambre de cuisson. Ne pas revêtir le four de papier d'aluminium ou d'un autre matériel. Cela pourrait causer la surchauffe du four ou des articles laissés à l'intérieur, ce qui crée un risque d'incendie ou cause des dommages.
- Les revêtements antiadhésifs, lorsqu'ils sont chauffés, peuvent nuire aux oiseaux. Déplacer les oiseaux à une salle séparée bien ventilée.

Caractéristiques

Les pièces du four

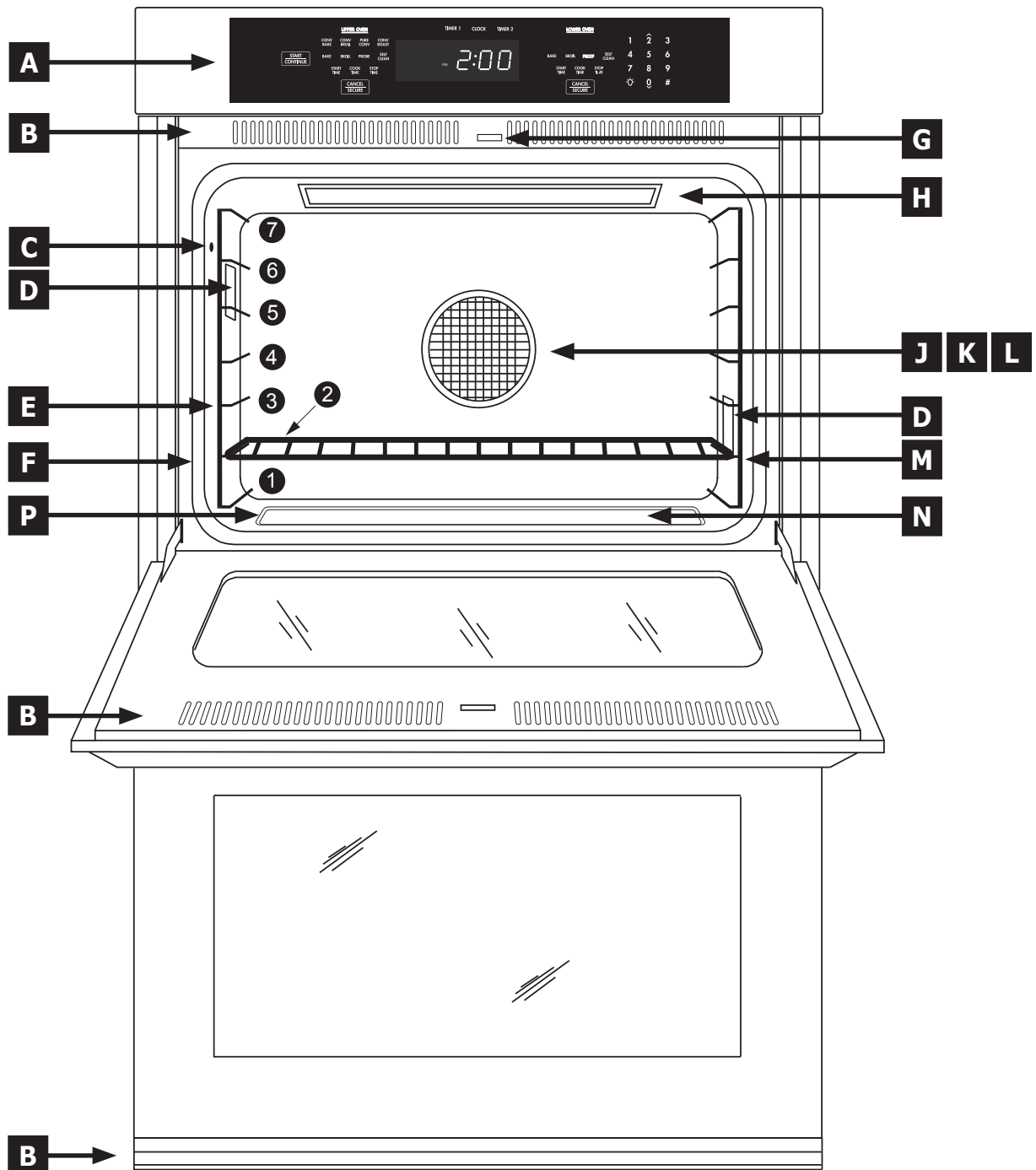
A	Tableau de commande	Le tableau de commande du four se compose de touches et d'un affichage. Utiliser le tableau de commande pour commander les fonctions du four (parfois appelées modes).
B	Évent du four	Le four aspire de l'air par des fentes d'admission pour refroidir ses pièces internes. L'air sort par la fente d'échappement au fond du four. Ne pas obstruer ou couvrir les fentes d'admission d'air ou d'échappement.
C	Prise du sonde thermique	Pendant l'utilisation de la sonde thermique, insérer l'aiguille dans la viande et brancher l'autre bout dans ce raccord. Voir la section Utilisation de la sonde thermique à la page 33 pour un fonctionnement convenable. Sur les fours doubles, seul le four supérieur est muni d'un raccord de sonde thermique.
D	Lampes du four	Des lumières se trouvent à l'intérieur de la chambre de cuisson afin de voir facilement les aliments à l'intérieur. Appuyer sur la touche de la lumière sur le tableau de commande pour les allumer. Les lumières utilisent des ampoules à halogène de 120 V, 20 Watt.
E	Supports des grilles	Chaque chambre de cuisson compte sept ensembles de supports de grille. Ils appuient les grilles du four ajustables. Les grilles sont numérotées, du bas au haut.
F	Joint de porte	Le joint d'étanchéité de la porte empêche la chaleur de s'échapper lorsque la porte est fermée.
G	Loquet autonettoyage	Le loquet d'autonettoyage verrouille automatiquement la porte du four pendant le cycle d'autonettoyage. La porte se verrouille pour des raisons de sécurité. Pendant le cycle d'autonettoyage, les températures sont très élevées à l'intérieur du four.
H	Éléments des grillage	L'élément des grillage se trouve au plafond de la chambre de cuisson. Il s'agit de la source de chaleur supérieure.
J	Ventilateur de convection*	Situé derrière le filtre de convection, le ventilateur de convection souffle de l'air chauffé dans la chambre de cuisson pendant le processus de cuisson par convection.
K	Élément de convection*	Situé derrière le filtre de convection, l'élément à convection réchauffe l'air soufflé dans la chambre de cuisson par le ventilateur de convection pendant le processus de cuisson par convection.
L	Filtre de convection*	Le filtre de convection couvre le ventilateur de convection. Il aide à prévenir le transfert d'une saveur d'un aliment à un autre pendant la cuisson d'un repas complet. Le filtre garde également le four plus propre et couvre les pales de ventilateur en rotation pour des raisons de sécurité.
M	Grille du four	Le four est vendu avec ensemble de grilles GlideRack ^{MC} et une grille standard pour chaque chambre de cuisson. Le nombre total de grilles dépend du modèle.
N	Élément de cuisson	Les éléments de cuisson sont cachés sous le plancher de la chambre de cuisson. Ils constituent la source de chaleur inférieure.
P	Fond de four renforcé	Le fond renforcé du four est conçu de façon à permettre un nettoyage à vapeur en 30 minutes. Voir page 38.

* Sur les fours doubles, seul le four supérieur est équipée pour cuisson par convection.



Sonde thermique

Caractéristiques



Caractéristiques

Tableau de commande

A Touche START (démarrage)	Pour utiliser les diverses fonctions (ou modes) du four, sélectionner premièrement le mode de cuisson. Appuyer ensuite sur la touche START (démarrage). De plus, utiliser la touche START pour démarrer les minuteries.
B Touches de modes de cuisson	Sélectionner le type de cuisson désiré en appuyant sur une des touches de modes de cuisson. Comprend également les touches Self-clean (autonettoyage) et PROBE (sonde), et sur les fours doubles, la touche PROOF (apprêt). Les fours doubles ont deux claviers de modes de cuisson, un pour le four supérieur et un pour le four inférieur.
C Touche CANCEL · SECURE (annuler/sécuriser)	Utiliser cette touche pour éteindre le four. Cette touche règle toutes les températures à zéro et éteint toutes les fonctions (sauf la minuterie) actuellement en usage. Elle active également la fonction verrouillage. Sur les fours doubles, il y a une touche CANCEL · SECURE (annuler/sécuriser) pour chaque four.
D Affichage	L'affichage du tableau de commande fournit divers types d'information concernant le four, dont l'heure actuelle (après le réglage de l'horloge), les réglages de cuisson actuels et les températures de cuisson.
E Touches numérique	Pour fixer la température, le temps de cuisson ou l'heure, utiliser les touches numérique.
F Touches de cuisson au démarrage différé	Utiliser ces touches régler le four pour qu'il se mette en marche ou s'arrête automatiquement plus tard. Sur les fours doubles, il y a un ensemble de touches de cuisson au démarrage différé pour chaque four. Voir page 32.
G Touches TIMER (minuterie)	Utiliser les touches TIMER 1 (minuterie 1) et TIMER 2 (minuterie 2) pour chronométrer une action. Les deux minuteries fonctionnent séparément l'une de l'autre. On peut utiliser les minuteries même si on n'utilise pas le four. Elles n'allument pas le four et elles ne l'éteignent pas. Voir page 32.
H Touche CLOCK (horloge)	Utiliser cette touche pour régler l'heure. Voir page 27
J Touche lampe	Situé sur les touches numérique. S'il faut allumer ou éteindre la lumière du four, appuyer sur la touche de la lampe.
K (#) Touche sabbat	Utiliser cette touche pour démarrer le mode sabbat. Voir page 35.

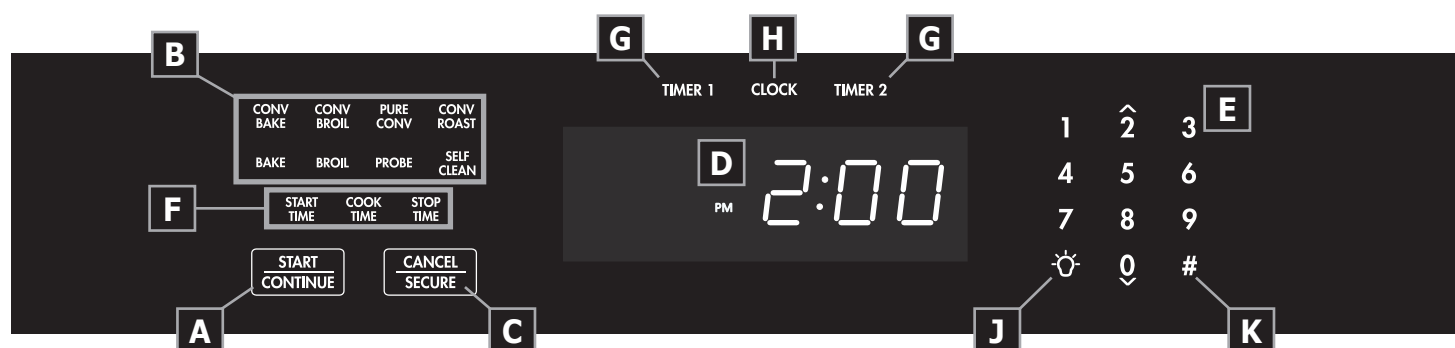


Tableau de commande - Four simple

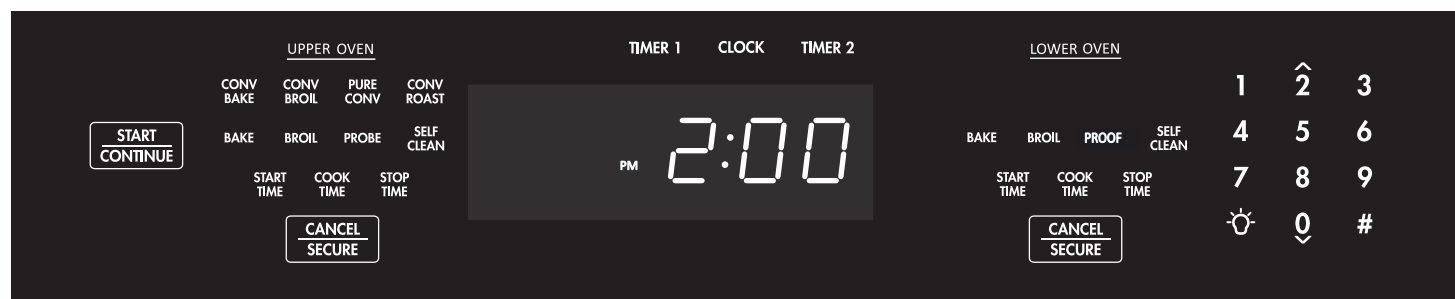


Tableau de commande - Four double

Utilisation

Réglages du tableau de commande

Réglage de l'horloge

1. Appuyer sur la touche **CLOCK** (horloge). Les deux points entre les minutes et les secondes sur l'affichage commenceront à clignoter.
2. Entrer l'heure actuelle sur les touches numérique avant que les deux points arrêtent de clignoter. Par exemple : pour 12 h 08, appuyer sur 1-2-0-8 sur les touches numérique. Appuyer sur la touche # change le témoin **AM-PM**.
3. Appuyer sur **START** (démarrer).



IMPORTANT

- L'horloge ne peut pas être réglée pendant la cuisson au démarrage différé, si une des minuteries est en cours d'utilisation, si le four est en mode d'autonettoyage ou si le mode sabbat est actif.
- Après une panne de courant, l'heure sur l'affichage peut clignoter, indiquant que l'heure peut ne pas être correcte.
- Après avoir appuyé sur la touche de l'horloge, il faut entrer l'heure et appuyer sur **START** (démarrer) juste après. S'il s'écoule plus de six secondes entre les touches, l'affichage retournera au réglage initial.

Horloge de 12/24 heures (temps militaire)

Le four est réglé pour l'horloge de 12 heures (non-militaire) à l'usine. Le temps de 24 heures est également connu sous le nom de temps militaire. 1:36 PM = 13 h 36 en temps militaire.

Si on souhaite changer l'horloge à un temps de 24 heures ou passer du temps militaire à l'heure ordinaire :

1. Appuyer et tenir la touche **CLOCK** (horloge) pendant six secondes. L'affichage indiquera le mode de l'horloge, **12 Hr** ou **24 Hr**.
2. Appuyer sur la touche # pour changer le mode de l'horloge. Pour laisser le réglage, n'appuyer sur aucune touche.
3. Appuyer sur la touche **CANCEL · SECURE** (annuler/sécuriser) pour retourner à l'affichage principal. Si l'horloge est réglée au temps de 24 heures, on peut entrer le temps militaire sur les touches numérique pendant le réglage de l'horloge.

Setting the Temperature Scale

On peut sélectionner l'échelle de température (échelle Fahrenheit ou Celsius) qu'utilise le four pour afficher la température de cuisson. Le four est pré-réglé à l'usine à l'échelle Fahrenheit.

Pour changer l'échelle de température :

1. Appuyer et tenir la touche **BROIL** (sous touche **UPPER OVEN** sur les fours doubles) pendant six secondes.
2. L'affichage indiquera l'échelle de température utilisée par le tableau de commande, "**F**" ou "**C**".
3. Appuyer sur la touche # pour changer l'échelle de température. Pour laisser le réglage, n'appuyer sur aucune touche.

4. Appuyer sur la touche **CANCEL · SECURE** (annuler/sécuriser). Le tableau de commande retournera à l'affichage initial de l'horloge, régler à la nouvelle échelle de température.

Mettre en marche/arrêter le timbre du tableau de commande

Le tableau de commande émet un timbre chaque fois qu'on appuie une touche ou lorsque diverses conditions d'erreur existent. Il émet également un timbre lorsqu'une minuterie a terminé son compte à rebours ou lorsque le four effectue certaines fonctions pré-réglées, par exemple le préchauffage est terminé. On peut étouffer la sonorité pour qu'elle ne fonctionne pas sous les conditions ci-dessus.

Pour étouffer le timbre du tableau de commande (ou le commencer) :

1. Appuyer et tenir la touche **START TIME** (heure de démarrage) pendant six secondes, jusqu'à ce que "beep" (timbre) apparaît sur l'affichage.
2. Appuyer à plusieurs reprises sur la touche # pour passer entre "**On**" et "**Off**".
3. Appuyer sur **CANCEL · SECURE** (annuler/sécuriser) lorsque le mode désiré apparaît sur l'affichage.

Pour retourner le tableau de commande au mode précédent, répéter les étapes susmentionnées.

Avant la cuisson

- Dacor recommande d'allumer le four à 500°F (260°C) pendant une heure afin de brûler les huiles résiduelles utilisées pendant le processus de fabrication. Les huiles laissées sur les pièces internes peuvent causer une odeur indésirable les premières fois qu'on utilise le four.
- **Préchauffage** : Lorsqu'on utilise le four pour la cuisson ou pour rôtir, il se préchauffe automatiquement. Le cycle de préchauffage réchauffe rapidement la chambre de cuisson à la bonne température pour la cuisson. Le préchauffage du four peut nécessiter plusieurs minutes. La durée du préchauffage dépend du réglage de température. La durée peut être plus longue selon le type d'alimentation de la collectivité. Il n'y a pas de cycle de préchauffage pour les modes de grillage.
- Après l'enlèvement des aliments du four, leur cuisson se poursuivra. Ce processus s'appelle "prolongement." Plus la portion d'aliment est grande, plus elle prendra de temps à cuire. Il est préférable de laisser reposer la viande de 10 à 15 minutes lorsqu'elle sort du four avant de la couper. Procéder ainsi permettra à la viande de garder ses jus et la rendra plus facile à couper.



MISE EN GARDE

Ne pas laisser les acides (jus d'agrumes, sauces tomates, etc.) sur les surfaces de l'appareil ménager. Les finitions peuvent se tacher ou se trouer.

Utilisation

Grilles

On peut utiliser l'un ou l'autre des types de grille sur n'importe quel niveau à l'intérieur du four.



AVERTISSEMENT

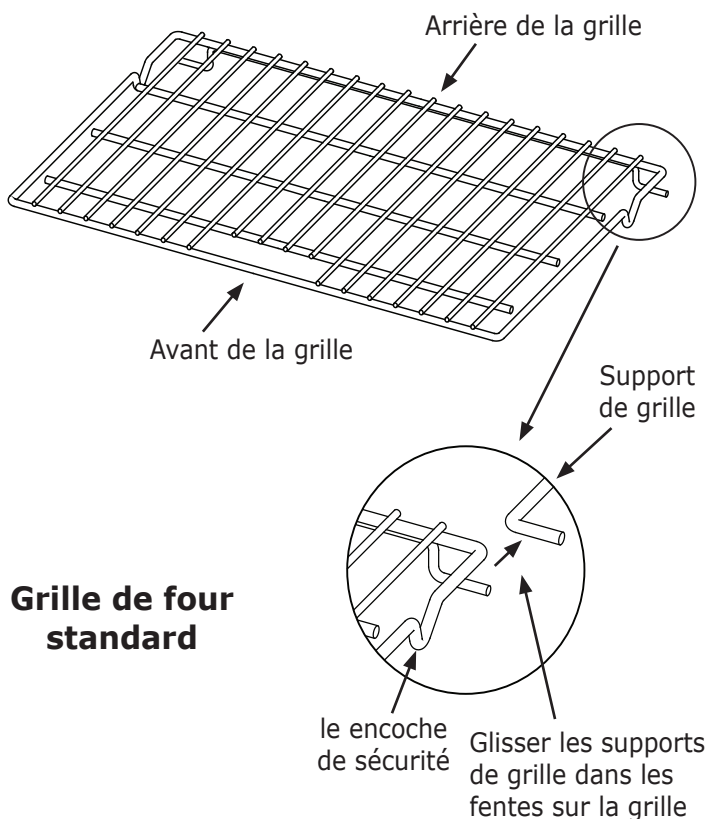
Pour réduire le risque de brûlure, positionner les grilles du four lorsque le four est froid. S'il faut repositionner une grille lorsque le four est chaud, utiliser des mitaines de four.

Pour insérer une grille de four standard...

1. Insérer d'abord le bout de la grille avec les encoches de sécurité dans le four.
2. Fixer les deux côtés de la grille aux supports de grille dans le four tel qu'illustré dans le schéma ci-dessous.
3. Commencer à glisser la grille, et la lever ensuite afin que les encoches de sécurité franchissent les bouts des supports de grille.
4. Pousser la grille complètement dans le four avec les deux mains.

Pour retirer une grille de four standard...

- Pour retirer une grille de four standard, la saisir des deux mains et la tirer soigneusement directement vers l'extérieur jusqu'à ce qu'elle s'arrête.
- Pour retirer complètement la grille, lever le devant de la grille d'environ six pouces et continuer de la tirer. Le fait de lever la grille libère les encoches de sécurité. Les encoches de sécurité empêchent la grille de sortir du four accidentellement.



Pour insérer une grille de four GlideRack...

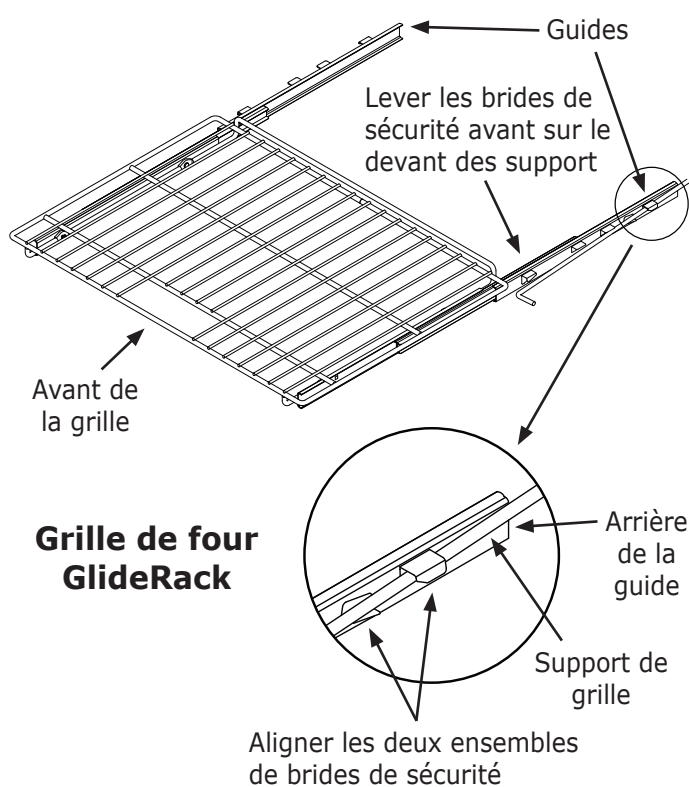
Le four est muni une grille de four GlideRack de Dacor. On peut sortir davantage la grille de four GlideRack que une grille de four standard et les grilles supportent toujours des marmites et des poêles lourdes remplies de nourriture.

1. Tenir la grille de four GlideRack avec les guides entièrement allongés à l'écart (voir le schéma ci-dessous).
2. Aligner les deux ensembles de brides de sécurité (droite et gauche) à l'arrière des guides avec les supports de grille du four tel qu'illustré.
3. Commencer à insérer la grille en la glissant. Lever les brides de sécurité avant sur le devant des supports de grille du four.
4. Pousser la grille jusqu'à l'arrière.
5. Saisir la grille dans le centre à l'avant et tirer. La grille devrait s'avancer alors que les guides demeurent en place.

IMPORTANT : Ne pas placer plus de 25 livres sur la grille du four GlideRack lorsqu'il est dans le plus bas position.

Pour retirer une grille de four GlideRack...

- Saisir la grille des deux mains et tirer soigneusement directement vers l'extérieur jusqu'à ce qu'elle s'arrête.
- Pour retirer complètement la grille, lever le devant de la grille d'environ six pouces et continuer de la tirer. Le fait de lever la grille libère les agrafes de sécurité. Les agrafes de sécurité empêchent la grille de sortir du four accidentellement.



Utilisation

Démarrage du four

1. Régler les grilles au niveau approprié.
2. Déterminer le meilleur mode de cuisson pour le type d'aliment à cuire.

Sélectionner à partir des modes suivants...

- **CONV BAKE** (Cuisson au four par convection)*  
: Une combinaison du ventilateur à convection et d'une source de chaleur inférieure. Cuisson idéale pour les articles sur une seule grille dans une plaque creuse.
- **CONV BROIL** (Grillage par convection)*  
: Une combinaison du ventilateur à convection et d'une source de chaleur supérieure. Cuisson idéale pour les aliments qui n'ont pas besoin d'être tournés, comme les coupes de viande plus minces, le poisson et le pain à l'ail.
- **PURE CONV** - (Convection Pure^{MC})* 
: Se sert de la cuisson à convection uniquement pour une chaleur uniforme. Utiliser ce mode pour les produits de boulangerie-pâtisserie et pour la cuisson à plusieurs grilles.
- **CONV ROAST** (Rôtissage par convection)*  
: Combine les sources de chaleur supérieures et inférieures au ventilateur de convection. Cuisson idéale pour les rosbifs de côte, les dindes, les poulets, etc.
- **BAKE** - (Cuisson au four) : Cuisson avec une source de chaleur inférieure uniquement. Couramment utilisé pour les recettes de base. 
- **BROIL** - (Grillage) : Cuisson avec une source de chaleur supérieure uniquement. À utiliser pour griller les plus petites coupes de viande ou pour griller du pain. 

* Seul le four supérieur sur les fours doubles.



IMPORTANT

Les modes de grillage ne fonctionneront pas lorsque la sonde thermique est branchée.

Voir page 30 pour des descriptions détaillées des divers modes de cuisson.

1. Appuyer sur la touche du mode de cuisson désiré. La température pré-réglée apparaîtra sur l'affichage de même que les symboles du mode de cuisson sélectionné (voir cidessus). Sur les fours doubles, sélectionner le four désiré en appuyant sur la touche du mode de cuisson sous **UPPER OVEN** (four supérieur) ou **LOWER OVEN** (four inférieur) sur le tableau de commande.
2. Pour la cuisson à la température pré-réglée, appuyer sur **START** (démarrer). Pour la cuisson à une différente température, entrer la température sur les touches numérique (par exemple 4-2-5), appuyer ensuite sur **START**. On peut entrer une température entre 100°F (38°C) et 555°F (291°C). La température de grillage suggérée est de 555°F. Les fours doubles ont seulement une touche **START**, sur le côté gauche du tableau de commande. Elle est utilisée pour démarrer les deux fours.
3. Si on utilise le mode convection pure ou un des modes de cuisson ou de rôtissage, "PRE-" pour le préchauffage, ainsi que la température actuelle du four, apparaîtra sur l'affichage jusqu'à ce que le four atteigne la température

fixée. Une fois que le four atteint la température fixée (habituellement de 15 à 20 minutes), il émettra un timbre et "PRE-" disparaîtra. Placer soigneusement les aliments dans le four. Un brunissement excessif se produira si on place les aliments dans le four pendant préchauffage.

Arrêt du four

Pour arrêter le four, appuyer sur la touche **CANCEL · SECURE** (annuler/sécuriser). Sur les fours doubles, appuyer sur la touche **CANCEL · SECURE** sous **UPPER OVEN** ou **LOWER OVEN**.



REMARQUE

Après l'arrêt du four, les ventilateurs peuvent continuer de fonctionner jusqu'à ce que les pièces internes du four se soient refroidies.

Changement de la température

Pour changer à une autre température pendant que le four est en marche :

1. Appuyer sur la touche du mode de cuisson actuel. Le mode de cuisson actuel apparaît sur l'affichage, par exemple **BAKE** (cuisson au four).
2. Entrer la température sur les touches numérique (par exemple 3-7-5) et appuyer sur **START** (démarrer).



IMPORTANT

Si on augmente la température d'au moins 50°F (28°C), le four passera au mode de préchauffage pour augmenter la température rapidement au nouveau réglage. "PRE-" apparaîtra sur l'affichage. Afin de prévenir le brunissement excessif, Dacor recommande d'enlever les aliments du four lorsque "PRE-" apparaît sur l'affichage.

Changement du mode de cuisson du four

Pour changer à un différent mode de cuisson pendant que le four est en marche :

1. Appuyer sur la touche du nouveau mode de cuisson, par exemple **BAKE** (cuisson du four).
2. Appuyer sur **START** (démarrer).

Réglages de température pré-réglés

Le four compte un réglage de température pré-réglé pour chaque mode de cuisson afin de réduire la nécessité de toujours entrer la température. Voir le tableau ci-dessous. Voir la section **Démarrage du four** pour des directions sur la cuisson à la température pré-réglée.

Mode de cuisson	Température pré-réglée
Cuisson au four par convection	325°F (163°C)
Grillage par convection	555°F (291°C)
Convection Pure	325°F (163°C)
Rôtissage par convection	375°F (191°C)
Cuisson au four	350°F (177°C)
Grillage	555°F (291°C)

Utilisation

Fonction de verrouillage

Pour désactiver les touches du tableau de commande lorsque le four n'est pas utilisé :

- Pousser et tenir la touche **CANCEL · SECURE** (annuler/ sécuriser) pendant environ six secondes. Les touches du tableau de commande arrêteront de fonctionner et "OFF" (arrêt) apparaîtra sur l'affichage. Seules les touches **CANCEL · SECURE** (annuler/ sécuriser) et des lumières fonctionneront. Sur les fours doubles, le fait d'appuyer sur l'une ou l'autre des touches **CANCEL · SECURE** verrouille le tableau de commande des deux fours.
- Pour réactiver le tableau de commande, appuyer et tenir la touche **CANCEL · SECURE** pendant six secondes.



REMARQUE

Le fait d'utiliser la fonction de verrouillage arrête les minuteries si elles sont en marche.

Fonction de minuterie de 12 heures

Le four est muni d'une fonction qui l'arrête automatiquement après 12 heures d'utilisation continue. La minuterie de 12 heures est réinitialisée lorsqu'on change la température de cuisson ou le mode de cuisson.

La fonction activée dès que l'appareil ménager est fabriqué.



REMARQUE

La minuterie de 12 heures est désactivée lorsque la fonction sabbat est utilisée.

Pour désactiver ou activer la minuterie de 12 heures...

- Tout en arrêtant le four, appuyer et tenir la touche **TIMER 1** pendant environ dix secondes, jusqu'à ce que le panneau de commande émette un timbre et que "12Hr" apparaisse sur l'affichage. "ON" (en marche) apparaîtra sur l'affichage si la minuterie de 12 heures est activée.
- Appuyer sur la touche # pour désactiver (ou activer) la minuterie de 12 heures
- Appuyer sur la touche **CANCEL · SECURE** (annuler/ sécuriser) pour sauvegarder les changements et retourner à l'horloge.

Comprendre les divers modes du four

Les trois styles de cuisson de base d'un four sont :

Cuisson au four - La cuisson douce des aliments secs comme les biscuits, les gâteaux, les soufflés, etc.

Rôtissage - La cuisson des viandes ou des légumes pendant un certain temps

Grillage - Cuisson avec une chaleur intense pendant une courte durée

Cuisson au four (BAKE)

Utilise uniquement une source de chaleur sous les aliments. Ce mode est le mode en veille, il n'est pas à convection. Tous les aliments cuiront bien dans ce mode.

Conseils pour la cuisson

- Suivre le temps et la température de cuisson initiales de la recette.
- Ne pas ouvrir la porte du four fréquemment pendant la cuisson. Dans la mesure du possible, regarder par la fenêtre de la porte du four pour vérifier la cuisson.
- Utiliser les minuteries pour déterminer le temps de cuisson.
- Utiliser la position de la grille la plus basse.
- Attendre jusqu'au temps de cuisson le plus court avant de vérifier les aliments. Pour la plupart des produits de boulangerie- pâtisserie, le fait qu'un cure-dent en bois placé au centre du plat sort propre est un signe que ce plat est prêt.

Le four offre trois modes de cuisson par convection...

- **Convection Pure (PURE CONV)**
- **Cuisson au four par convection (CONV BAKE)**
- **Rôtissage par convection (CONV ROAST)**

En règle générale, dans les modes de cuisson par convection, la durée est environ 25 % plus courte. Régler la minuterie 15 minutes avant le temps le plus court indiqué et ajouter plus de temps au besoin.

Pour les modes de convection pure et de cuisson par convection...

Certaines recettes, surtout celles qui sont faites maison, peuvent nécessiter des rajustements et des essais pendant la conversion de la cuisson standard à la cuisson par convection. Si on est incertain sur la façon de convertir une recette, commencer par préparer la recette à l'aide des réglages de cuisson standard.

Si les aliments ne sont pas cuits convenablement pendant ce premier essai de la cuisson par convection, rajuster une variable de la recette à la fois (comme le temps de cuisson, la position de la grille ou la température) et répéter l'essai de la cuisson par convection. Au besoin, continuer de rajuster une variable de la recette à la fois jusqu'à l'obtention de résultats satisfaisants.

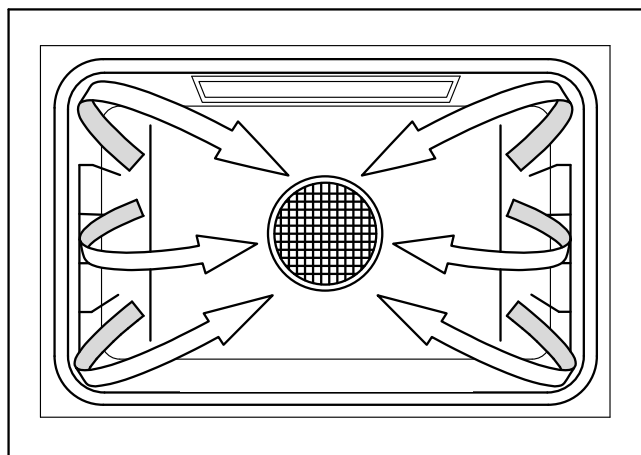
Utilisation

Convection Pure (PURE CONV)

La circulation d'air uniforme fournie par la convection pure permet d'utiliser plus de capacité du four à la fois. Utiliser ce mode pour la cuisson sur une seule grille, la cuisson sur plusieurs grilles, le rôtissage, ainsi que la préparation de repas complets. Bon nombre d'aliments, comme la pizza, les gâteaux, les biscuits, les muffins, les pains mollets et les aliments congelés prêts à servir peuvent être préparés sur deux ou trois grilles à la fois. La convection pure convient également au canard entier rôti, à l'épaule d'agneau et au gigot d'agneau court.



Direction du flux d'air



Pour la cuisson à plusieurs grilles...

- Habituellement, pendant la cuisson à deux grilles, utiliser les positions de grille nos 1 et 3, ou 2 et 4 (en comptant à partir du bas).
- Pendant l'adaptation d'une recette à une seule grille à la cuisson à plusieurs grilles, il peut être nécessaire d'ajouter du temps de cuisson en raison du volume supplémentaire d'aliment dans le four.

Cuisson au four par convection

(CONV BAKE)

Utiliser ce mode pour la cuisson à une seule grille. La combinaison du ventilateur de convection et de la source de chaleur inférieure est idéale pour les croustades aux fruits, les flans pâtisseries, les tartes aux fruits à deux croûtes, les quiches, les pains à la levure dans un moule à pain et les popovers. De plus, il est préférable d'utiliser ce mode pour cuire les aliments dans un plat en céramique creux ou des récipients en terre cuite. La plupart de ces aliments cuisent dans un plat creux et exigent du brunissement sur le dessus et au fond.

Rôtissage par convection

(CONV ROAST)

Le mode de rôtissage par convection du four se sert d'une combinaison du ventilateur de convection et des sources de chaleur supérieure et inférieure. Ce mode est idéal pour les rosbifs de côte, les dindes, les poulets, etc.

Le four offre deux modes de grillage...

- **Grillage (BROIL)**
- **Grillage par convection (CONV BROIL)**



ADVERTISSEMENT

- Lorsqu'on utilise les réglages grillage (**BROIL**) et grillage par convection (**CONV BROIL**), la porte du four doit être complètement fermée.
- Pour éviter d'endommager la sonde thermique, la retirer du four pendant l'utilisation de l'un ou l'autre des modes de grillage. Si la sonde thermique est branchée, les modes de grillage ne fonctionneront pas. Le symbole de la sonde thermique clignotera si la sonde thermique est branchée lorsqu'on tente de mettre le four en marche dans un des modes de grillage.

Le grillage est une façon rapide et savoureuse de préparer de nombreux aliments, dont les biftecks, le poulet, les côtelettes, les hamburgers et le poisson.

Grillage (BROIL)

Le mode de grillage utilise une source de chaleur supérieure. Le mode est idéal pour le grillage de plus petites quantités de nourriture.

Grillage par convection

(CONV BROIL)

d'une source de chaleur supérieure. Ce mode est idéal pour les aliments qui n'ont pas besoin d'être tournés comme les coupes de viande plus minces, le poisson et le pain à l'ail.

Conseils pour le grillage

- La présence de fumée est normale et nécessaire pour donner une saveur grillée aux aliments.
- Il est recommandé de régler la minuterie pour chronométrer le processus de grillage.
- Toujours utiliser une lèchefrite et un gril pour l'égouttage du gras et de la graisse supplémentaire, ce qui réduira les éclaboussures, la fumée et les flambées.
- Commencer avec une lèchefrite à température ambiante pour une cuisson égale.
- Utiliser des pinces ou une spatule pour tourner et enlever les viandes. Ne jamais percer la viande avec une fourchette parce que les jus naturels s'échapperont.
- Griller les aliments sur le premier côté pour un peu plus de la moitié du temps recommandé, assaisonner et tourner. Assaisonner le deuxième côté juste avant de retirer les aliments du four.

Utilisation

Minuterie (Timer)

AVERTISSEMENT

Les minuterie sur le four ne mettent pas le four en marche ou ne l'arrêtent pas. Elles servent uniquement à chronométrer. Lorsqu'on veut arrêter le four automatiquement, utiliser les **Fonctions de cuisson au démarrage différé**.

REMARQUE

Le fait d'appuyer sur la touche **CANCEL · SECURE** (annuler/sécuriser) ne réinitialise ou n'arrête **PAS** les minuterie.

Le four est muni de deux minuterie intégrées :

- On peut utiliser les deux minuterie en même temps.
- On peut chronométrer d'une minute à 99 heures et 59 minutes.
- Le symbole de la minuterie apparaît sur l'affichage lorsqu'une des minuterie ou les deux minuterie sont utilisées.

Pour utiliser les minuterie sur le four...

1. Appuyer sur la touche **TIMER 1** (minuterie 1) ou **TIMER 2**.
2. Entrer les heures et minutes à chronométrer sur les touches numérique et appuyer sur **START** (démarrer). Pour entrer 11 heures, 30 minutes, appuyer sur 1-1-3-0. Pour chronométrer 25 minutes, appuyer sur 2-5. Lorsqu'on appuie sur **START**, le temps apparaîtra sur l'affichage et le compte à rebours commencera.



Lorsque la minuterie a terminé son compte à rebours, **0:00** apparaîtra sur l'affichage. Le chiffre de la minuterie clignotera sur l'affichage et émettra un timbre. Les timbres de la minuterie 1 et la minuterie 2 ont différents sons.

Minuterie	Son du timbre
①	1 seconde en marche, 1 seconde arrêtée, répéter
②	1 seconde en marche, 1 seconde arrêtée, 2 secondes en marche, 1 seconde arrêtée, répéter

Lorsque le timbre retentit, appuyer sur une des touches minuterie (**TIMER**) pour arrêter le timbre. Appuyer sur **CLOCK** (horloge) pour retourner à l'affichage principal.

Pendant que la minuterie est en marche, on peut...

- Appuyer sur **CLOCK** pour voir l'heure actuelle.
- Appuyer sur **TIMER 1** pour voir le temps qui reste sur la minuterie 1.
- Appuyer sur **TIMER 2** pour voir le temps qui reste sur la minuterie 2.

Pour changer le temps sur une minuterie :

1. Appuyer sur les touches **TIMER 1** (minuterie 1) ou **TIMER 2**.
2. Entrer le nouveau temps sur les touches numérique et appuyer sur **START** (démarrer).

Pour arrêter une minuterie avant l'écoulement du temps :

- Appuyer deux fois sur les touches **TIMER 1** (minuterie 1) ou **TIMER 2**. La minuterie s'arrêtera et l'affichage s'effacera.
- Appuyer sur **CLOCK** pour retourner à l'affichage principal.

Fonctions de cuisson au démarrage différé

Pour régler le four pour qu'il se mette en marche ou s'arrête automatiquement plus tard, on peut se servir des fonctions de cuisson au démarrage différé.

Choses à connaître au sujet de la cuisson au démarrage différé

- Les options au démarrage différé fonctionnent pour tous les modes de cuisson, sauf le grillage et le grillage par convection.
- On peut se servir des minuterie avec les fonctions au démarrage différé. Les minuterie n'ont pas d'effet sur les options au démarrage différé.
- On peut annuler le cycle de démarrage différé en tout temps en appuyant sur la touche **CANCEL · SECURE**.

AVERTISSEMENT

La salubrité des aliments est un élément important de l'utilisation des fonctions au démarrage différé :

- Éviter d'utiliser des aliments qui seront avariés au moment où on attend le démarrage de la cuisson. Les aliments habituels à éviter comprennent : ceux qui contiennent des oeufs et des produits laitiers, des potages crème, ainsi que des viandes, de la volaille et du poisson cuits et crus.
- Ne pas laisser les aliments dans le four après l'arrêt complet. Lorsque la température descend sous 140°F (60°C), les bactéries peuvent se développer (après le mode maintien).
- Si la cuisson ne commence pas immédiatement, placer uniquement des aliments très froids ou congelés dans le four. La plupart des aliments décongelés ne devraient jamais être laissés dans le four pendant plus de deux heures avant le début de la cuisson.

Trois façons d'utiliser la cuisson au démarrage différé

- Régler l'heure à laquelle le four doit s'allumer (**START TIME**) et régler l'heure à laquelle le four doit s'arrêter soit à l'aide de la touche **COOK TIME** (durée) soit à l'aide de la touche **STOP TIME** (heure d'arrêt).
- Régler uniquement l'heure de démarrage **START TIME** ensuite arrêter le four manuellement à la fin de la cuisson.
- Mettre le four en marche manuellement et régler l'heure à laquelle le four doit s'arrêter soit à l'aide de la touche **COOK TIME** soit à l'aide de la touche **STOP TIME**.

Utilisation

Au sujet du mode maintien

- Lorsqu'on règle le four pour arrêter la cuisson à l'aide des touches **COOK TIME** (durée) ou **STOP TIME** (heure d'arrêt), il passera au mode "maintien" (**HLD** apparaîtra sur l'affichage) à la fin du temps de cuisson réglé. Le four gardera la température à 150°F (66°C) pendant deux heures.
- Appuyer sur **CANCEL - SECURE** (annuler/sécuriser) pour arrêter complètement le four.
- Afin d'empêcher les aliments de coller, ne pas laisser les aliments dans le four après son arrêt (après la fin du mode maintien).

Utilisation de la cuisson au démarrage différé



REMARQUE

La cuisson au démarrage différé ne peut pas être utilisée en mode Sabbat.

1. Rajuster les grilles au niveau approprié.
2. Placer les aliments dans le four.
3. Appuyer sur la touche du mode de cuisson désiré, sauf le grillage (**BROIL**) ou le grillage par convection (**CONV BROIL**).
4. Entrer la température de cuisson désirée sur les touches numérique.
5. Si on veut mettre le four en marche immédiatement et l'arrêter automatiquement plus tard, passer à l'étape 8.
6. Appuyer sur la touche **START TIME** (heure de démarrage).
7. Entrer l'heure à laquelle le four doit se mettre en marche sur les touches numérique. Pour 12:35, appuyer sur 1-2-3-5. On peut entrer une heure jusqu'à 22 heures et 59 minutes d'avance. Appuyer sur la touche # pour changer à "AM" ou "PM".
8. Si on veut régler l'heure d'arrêt ou le temps de cuisson, appuyer sur les touches **STOP TIME** (heure d'arrêt) ou **COOK TIME** (durée), autrement passer à l'étape 9. Le fait d'utiliser la touche **COOK TIME** permet d'indiquer quand le four s'arrêtera en entrant le temps de fonctionnement. Utiliser la touche **STOP TIME** permet d'indiquer quand le four s'arrêtera en entrant l'heure. L'une ou l'autre des touches atteint le même résultat.
9. Appuyer sur **START** (démarrer).
10. Si on a entré une heure de démarrage **START TIME**, le four commencera à l'heure de démarrage entrée.
11. Si on a entré une durée (**COOK TIME**) ou une heure d'arrêt (**STOP TIME**), le four cuira jusqu'à l'heure entrée et passera ensuite au mode maintien.



IMPORTANT

La fonction préchauffage (voir page 27 pour de description détaillée) est désactivée lorsque les fonctions de cuisson des démarrage différé est utilisée. Le temps requis pour chauffer doit être inclus dans le temps de cuisson. Le temps de cuisson requis augmente avec la température de cuisson et la quantité de aliment.

Autres choses à connaître au sujet de la cuisson au démarrage différé

Lorsque le four est en mode de démarrage différé...

- Appuyer sur la touche **CLOCK** pour voir l'heure de démarrage actuelle.
- Appuyer sur la touche **START TIME** pour voir l'heure de démarrage.
- Appuyer sur la touche **STOP TIME** pour voir l'heure d'arrêt.
- Appuyer sur la touche **COOK TIME** pour voir le temps de cuisson.

Utilisation de la sonde thermique

Pendant la cuisson des aliments comme les rôtis et la volaille, la température interne est la meilleure façon de savoir quand ils sont bien cuits. La sonde thermique du four est une manière facile d'enlever la conjecture du rôtissage. On peut l'utiliser pour cuire les aliments à la température exacte désirée. La sonde peut être réglée de 100°F (38°C) à 200°F (92°C).



ADVERTISSEMENT

- Pour réduire la possibilité de brûlures, utiliser des coussinets chauds pour manipuler, brancher et débrancher la sonde thermique lorsque le four est chaud.
- Utiliser les poignées pour insérer et retirer l'aiguille de la sonde thermique et la brancher au four. Le fait de pousser ou tirer sur l'un ou l'autre des extrémités du câble pourrait endommager la sonde thermique. Afin d'éviter de briser la sonde thermique, s'assurer que les aliments sont entièrement décongelés avant d'insérer l'aiguille.
- Afin de prévenir les dommages, ne jamais laisser la sonde thermique à l'intérieur du four lorsqu'il n'est pas en marche, surtout pendant le cycle d'autonettoyage.
- Le fait d'utiliser une sonde thermique différente que celle fournie avec le four peut endommager la sonde et/ou le four.



REMARQUE

- La sonde thermique ne fonctionne pas avec les modes de grillage (**BROIL**) ou de grillage par convection (**CONV BROIL**) et sabbat. Brancher la sonde thermique pendant l'utilisation des modes ci dessus, le symbole de la sonde thermique clignotera pour indiquer une erreur.
- Si la sonde thermique est accidentellement débranchée après avoir appuyé sur la touche **PROBE** (sonde), le symbole de la sonde thermique clignotera et le message d'erreur "**OPn**" apparaîtra sur l'affichage.

Utilisation

1. Préparer la viande pour la cuisson avant de régler le four. Insérer la brochette de la sonde thermique dans le centre de la viande. S'assurer que la brochette n'est pas à l'intérieur des parties grasses de la viande et ne touche pas d'os. La pointe devrait se trouver dans la partie la plus épaisse de la viande. Lorsqu'on cuit de la volaille, la pointe de la brochette devrait se trouver vers le centre de l'oiseau.

continué...

Utilisation

Utilisation de la sonde thermique (suite)

- Avant de placer la viande dans le four et avec la porte fermée, appuyer sur la touche **BAKE, CONV BAKE, PURE CONV** or **CONV ROAST**. La température préréglée apparaîtra sur l'affichage. Si on veut cuire avec une température différente, il faut l'entrer sur les touches numérique.
- Appuyer sur **START** (démarrer).
- Laisser le four se préchauffer. Il peut y avoir un brunissement excessif si la viande est placée dans le four pendant le préchauffage (lorsque "PRE-" apparaît sur l'affichage). Après le préchauffage du four ("PRE-" disparaît), placer la viande dans le four à l'aide de poignées. Insérer la sonde thermique branchée au raccord à l'intérieur du four.
- Appuyer sur la touche **PROBE** (sonde). La température préréglée de la sonde (160°F/71°C), ainsi que le symbole de la sonde apparaîtront sur l'affichage. Si on veut cuire avec une différente température de sonde, il faut l'entrer sur les touches numérique. Utiliser le tableau de **Température de cuisson sécuritaire minimum du USDA** comme lignes directrices pour le type de viande à cuire.
- Appuyer sur **START** (démarrer). Si on n'appuie pas sur **START**, la sonde de fonctionnera pas.



Lorsque la sonde thermique est utilisée, le four contrôlera automatiquement le temps de cuisson. La température sur l'affichage pendant la cuisson est la température mesurée à l'intérieur de la viande. Le four continuera la cuisson jusqu'à ce que la température de la viande atteigne la température entrée.

Lorsque la viande est prête, le four passera au mode maintien. La température sera réduite à 150°F (66°C) pendant deux heures pour garder la viande chaude et sécuritaire à servir. Afin de prévenir les maladies, ne pas laisser les aliments dans le four après qu'il s'arrête. Appuyer sur **CANCEL · SECURE** (annuler/sécuriser) pour annuler le mode maintien et arrêter complètement le four.

Pour changer la température de la sonde thermique pendant la cuisson...

- Appuyer sur **PROBE** (sonde). La température actuelle de la sonde apparaîtra sur l'affichage.
- Entrer la nouvelle température. Le four passera automatiquement à la nouvelle température de la sonde. Si on n'entre pas une température, le four continuera la cuisson au réglage actuel.

Pour changer le mode de cuisson pendant la cuisson à la sonde thermique...

- Appuyer sur la touche **CANCEL · SECURE** (annuler/sécuriser).
- Appuyer sur la touche **BAKE, CONV BAKE, PURE CONV** or **CONV ROAST**. Si on veut cuire à une différente température que la température préréglée du four, il faut l'entrer sur les touches numérique.
- Appuyer sur **START** (démarrer).

Pour annuler le fonctionnement de la sonde thermique pendant la cuisson...

- Appuyer deux fois sur la touche **PROBE**. Débrancher la sonde thermique du raccord. Le four retournera aux réglages précédents.

Détails importants au sujet de la sonde thermique :

- Il faut sélectionner le mode de cuisson précis (**BAKE, CONV BAKE, PURE CONV** ou **CONV ROAST**) avant d'appuyer sur la touche **PROBE** (sonde).
- Lorsqu'on appuie sur la touche **PROBE** (sonde), le cycle de préchauffage est désactivé. Pour de meilleurs résultats, sélectionner le mode de cuisson et laisser le four se préchauffer avant d'appuyer sur la touche **PROBE**.
- La fonction de la sonde thermique s'annulera automatiquement après 30 secondes si la sonde thermique n'est pas branchée. Le symbole de la sonde thermique clignotera sur l'affichage.
- La fonction de la sonde thermique s'annulera automatiquement après 30 secondes si la sonde thermique n'est pas branchée. Le symbole de la sonde thermique clignotera sur l'affichage **STOP TIME** ou durée **COOK TIME**, et passera ensuite au mode maintien.

Température de cuisson sécuritaire minimum du USDA

Viande hachée et mélanges de viande	
Boeuf, porc, veau, agneau	160°F (71°C)
Dinde, poulet	165°F
Boeuf frais, veau et agneau	
À point	145°F (63°C)
Volaille	
Dinde, poulet, entier (température prise dans la cuisse)	165°F (74°C)
Poitrines de volaille, rôti	165°F (74°C)
Cuisses, ailes, jambes de volaille	165°F (74°C)
Canard et oie	165°F (74°C)
Farce	165°F (74°C)
Porc frais	
Moyen	160°F (71°C)
Jambon	
Fraîche (cru)	160°F (71°C)
Préchauffé (réchauffé)	140°F (60°C)

REMARQUE : Les températures de cuisson interne sécuritaire minimum sont sous réserve de modification. Il y a des modifications dans les bactéries et les températures requises pour les éradiquer. Pour obtenir les renseignements les plus à jour, communiquer avec le Département de l'agriculture des États-Unis.

www.fsis.usda.gov

Utilisation

Déshydrater/Décongélation

Le four peut être utilisé pour déshydrater ou décongeler des aliments à des réglages de chaleur réduite en mode convection pure.

AVERTISSEMENT

Afin de prévenir l'intoxication alimentaire, cuire les viandes immédiatement après leur décongélation.

Pour déshydrater ou décongeler des aliments

1. Régler les grilles au niveau approprié.
2. Placer les aliments au centre de la grille de four. Si on déshydrate des aliments, préparer des aliments tel que recommandé, ensuite les placer sur le séchoir vertical.
3. Appuyer sur la touche **PURE CONV** (convection pure).
4. Pour décongeler des viandes, entrer la température jusqu'à 150°F (66°C) sur le clavier numérique. Pour la déshydratation, régler d'abord la température selon le tableau ci-dessous. Pendant la déshydratation, il peut être nécessaire de faire un essai avec des températures plus élevées.
5. Appuyer sur **START** (démarrer).

Type d'aliments	Température de déshydratation
Fruit	100°F (38°C)
Légumes	125°F (52°C)
Viande	150°F (66°C)

Fermenter (PROOF)

On peut utiliser le four pour fermenter les pâtes à levure à base de farine bise à une basse température sans courant d'air à l'aide du mode cuisson au four (**BAKE**).

1. Appuyer sur la touche **BAKE***.
2. Entrer la température de 100°F (38°C) sur les touches numérique.
3. Appuyer sur **START** (démarrer).
4. Placer la pâte dans un bol graissé à l'intérieur du four. Couvrir le bol d'un chiffon humide ou d'un film étirable recouvert d'une vaporisation antiadhésive.
5. Allumer les lumières du four
6. Régler la minuterie pour le temps de levage indiqué dans la recette.

* Modèles de fours doubles ont une touche fermenter (**PROOF**) pour le four inférieur. On peut appuyer sur cette touche au lieu de la touche **BAKE**. Lorsqu'on utilise la touche fermenter (**PROOF**), le four règle la température au préalable.

Mode Sabbat

Le mode sabbat sur le four respecte les lois juives pour l'utilisation pendant le sabbat et les jours saints. Cette fonction permet au four d'effectuer deux types de cuisson, la cuisson au four (**BAKE**) et la convection pure (**PURE CONV**).

Lorsque le four est réglé au mode sabbat, les fonctions suivantes sont désactivées :

- Les lumières du four
- Toutes les touches, sauf **CANCEL · SECURE**, **START** et les touches **0** et **2**.

NOTE

- "**Sab**" apparaît sur l'affichage lorsque le mode sabbat est en cours d'utilisation.
- Comme avec tous les autres modes de cuisson, pendant le réglage du panneau de commande pour le fonctionnement sabbat, il faut appuyer sur toutes les touches avec des intervalles de moins de six secondes entre elles. Autrement, le tableau de commande s'effacera automatiquement.
- Sur les modèles de fours doubles, on ne peut pas utiliser un four en mode normal pendant que l'autre four fonctionne en mode sabbat.
- Le mode sabbat ne fonctionnera pas si la sonde thermique est branchée (le symbole de la sonde thermique clignotera).
- La cuisson au démarrage différé ne peut pas être utilisée en mode sabbat.
- En cas de panne de courant, le four retournera au mode sabbat au dernier réglage de température lorsque le courant est rétabli.
- Si une ou les deux minuteries fonctionnent, le four annule le fonctionnement des minuteries lorsque le mode sabbat est sélectionné.
- On peut utiliser un thermomètre de grille pour surveiller la température du four.

Réglage de la fonction sabbat

1. Appuyer sur la touche #.
2. Appuyer sur la touche **BAKE** (cuisson au four) ou **PURE CONV** (convection pure). Sur les fours doubles, s'assurer d'appuyer sur la touche **BAKE** ou **PURE CONV** du four qu'on veut utiliser.
3. Appuyer à plusieurs reprises sur les touches **0** ou **2** pour changer la température de cuisson présélectionnée montrée sur l'affichage.
4. Appuyer (uniquement) sur la touche **START** (démarrer). Le four passera au mode sabbat et fonctionnera selon la méthode sélectionnée à l'étape 2.

Ce qu'il faut connaître au sujet du mode sabbat

- La touche **CANCEL · SECURE** (annuler/sécuriser) sur le four demeure active afin de pouvoir annuler la fonction sabbat ou arrêter le four. Sur les fours doubles, les deux touches **CANCEL · SECURE** demeurent actives afin de pouvoir arrêter un four et laisser l'autre fonctionner.

continué...

Utilisation

Ce qu'il faut connaître au sujet du mode sabbat (suite)

- Sur les fours doubles, on peut répéter les étapes 2 à 4 pour démarrer l'autre four. Certains modèles de fours doubles sont équipés pour la convection pure dans seulement un four.
- Pendant la cuisson, le fait d'appuyer sur la touche 2 et d'appuyer ensuite sur **START**, (démarrer), indique au four d'augmenter la température de 25 °F (15°C). Le fait d'appuyer sur la touche 0 et d'appuyer ensuite sur **START**, indique au four de diminuer la température de 25°F (15°C). En conformité avec la loi juive, les éléments de cuisson seront rajustés de façon aléatoire lorsqu'on appuie sur ces touches et aucune modification ne sera vue sur l'affichage. Sur les fours doubles, il faut appuyer sur la touche **BAKE** ou **PURE CONV** (convection pure) du four pour lequel on veut changer la température avant d'appuyer sur la touche **0** ou **2**.

Réglage de la température du four

Même si le four est réglé à l'usine pour cuire à la température indiquée sur l'affichage, la cuisson peut se faire plus rapidement ou lentement que votre ancien four.



ADVERTISSEMENT

Ne pas rajuster la température de correction de la sonde ou de l'autonettoyage. Les corrections concernant la sonde et l'autonettoyage doivent demeurer à 0 pour le fonctionnement approprié et/ou sécuritaire.

IMPORTANT : Ne pas mesurer la température à l'intérieur du four avec un thermomètre. Ouvrir la porte causera une lecture incorrecte. De plus, la température à l'intérieur du four variera au fur et à mesure que les éléments de cuisson se mettent en marche et s'arrêtent.

Si on n'est pas satisfait des résultats du four, on peut régler la température de correction comme suit :

1. Lorsque le four est arrêté, appuyer et tenir les touches **0** et **#** sur les touches numérique en même temps. Après environ trois secondes, "PASS" apparaîtra sur l'affichage.
2. Entrer immédiatement **6428** sur les touches numérique, ensuite appuyer sur **START** (démarrer). "**SLct**" (sélectionner) apparaîtra sur l'affichage.
3. Appuyer sur la touche du mode de cuisson pour lequel on veut corriger la température (**CONV BAKE, CONV BROIL, PURE CONV, CONV ROAST, BAKE** ou **BROIL**). La température de correction actuelle apparaîtra sur l'affichage, par exemple "**00**", si la température n'a pas été réglée auparavant.
4. Entrer le chiffre correspondant à l'augmenter ou la diminution de la température sur les touches numérique. Pour entrer un signe négatif, appuyer sur **#** après les chiffres. Un signe négatif indique que le four sera refroidi selon la température entrée. Lorsqu'il n'y a pas de signe devant le chiffre, le four se réchauffera selon la température entrée. On peut entrer un chiffre entre 35°F ou 35°F (18°C ou -18°C).
5. Appuyer sur **START** pour sauvegarder les modifications.
6. Répéter les étapes 3 à 5 ci-dessus pour tous les autres modes de cuisson devant être corrigés.
7. Appuyer sur **CANCEL · SECURE** pour sortir du mode de correction.

Entretien et nettoyage



ADVERTISSEMENT

- Nettoyer seulement les parties de l'appareil indiquées dans le présent manuel. Nettoyer l'appareil ménager uniquement de la façon précisée.
- Afin d'éviter les fumées dangereuses ou les dommages à l'appareil ménager et aux accessoires, utiliser seulement les types de solutions de nettoyage précisées dans le présent manuel.
- Afin d'éviter une commotion électrique ou des brûlures, s'assurer que toutes les pièces sont froides avant le nettoyage.
- Afin de prévenir les dommages, ne pas utiliser de nettoyeurs ou applicateurs abrasifs ou corrosifs comme la laine d'acier ou les tampons à récurer, sur n'importe quelle partie de l'appareil, à moins que ce soit indiqué. Utiliser uniquement une éponge, un chiffon doux, une brosse fibreuse ou en plastique, ou un tampon nettoyeur en nylon pour nettoyer les surfaces de l'appareil.
- Ne pas utiliser un nettoyeur à vapeur pour nettoyer l'appareil ménager. La vapeur pourrait s'infiltrer dans les composantes électriques et causer un court-circuit.
- Ne pas essayer d'enlever les matières renversées importantes avec un objet pointu comme un couteau ou une spatule en métal. Les objets pointus peuvent égratigner les surfaces de l'appareil ménager.

Autonettoyage

La fonction d'autonettoyage du four

- Le four fonctionnera mieux et produira de meilleurs produits de boulangerie-pâtisserie lorsqu'il est propre. Pendant l'autonettoyage, le four est chauffé à des températures très élevées qui brûlent les dépôts sur les surfaces du four. L'autonettoyage élimine le besoin d'un lavage manuel des surfaces intérieures. Le processus d'autonettoyage nécessite de deux à quatre heures.
- Il est normal que le four dégage de la fumée pendant le cycle d'autonettoyage. Il est également normal que le four émette des crépitements pendant l'autonettoyage. Ces crépitements sont causés par l'expansion et la contraction des surfaces de métal lorsque le four se chauffe et se refroidit.
- Le mode d'autonettoyage ne fonctionnera pas si la sonde thermique est branchée.

Entretien et nettoyage



ADVERTISSEMENT

- Toujours essuyer la graisse excédentaire et les autres aliments renversés à l'aide d'un chiffon humide avant d'utiliser le cycle d'autonettoyage. Cela minimisera la fumée et augmentera l'efficacité. Voir les directives de nettoyage appropriées sur cette page.
- Ne pas toucher les surfaces extérieures de l'appareil ménager pendant le cycle d'autonettoyage. Elles seront chaudes.
- Les articles laissés dans le four pendant l'autonettoyage s'endommageront ou endommageront le four.

Comment utiliser la fonction d'autonettoyage



IMPORTANT

- Sur les fours doubles, le tableau de commande permettra seulement à un four d'être nettoyé à la fois en raison de la quantité d'électricité consommée. De plus, l'ordinateur du four double empêchera la cuisson dans un four pendant que l'autre est en mode autonettoyage.
- Les lumières du four ne fonctionneront pas pendant le mode d'autonettoyage du four afin de les protéger.
- L'autonettoyage ne fonctionnera pas lorsque la sonde thermique est branchée (le symbole de la sonde thermique clignotera).

1. Avant de procéder à l'autonettoyage, retirer les grilles, le filtre de convection, toute la batterie de cuisine (marmites, poêles, fourchettes, etc.), la sonde thermique, les feuilles d'aluminium et tout autre objet libre de la chambre de cuisson. Voir la page 39 pour connaître les instructions de nettoyage du filtre.
2. Nettoyer la souillure des surfaces en porcelaine de la porte à l'extérieur du joint de porte. Bien rincer les surfaces à l'aide d'une solution de vinaigre et d'eau, puis essuyer. On peut nettoyer les zones très sales avec un tampon à récurer qui n'égratigne pas.
3. Nettoyer le joint de porte en appliquant une solution d'eau et de savon doux par petites touches.



MISE EN GARDE

- Il faut être extrêmement prudent pendant le nettoyage du joint de porte. Le frotter ou le déplacer peut endommager le joint d'étanchéité serré de la porte nécessaire pour la cuisson et l'autonettoyage.
- Pendant l'autonettoyage, ne pas ouvrir la porte par la force une fois qu'elle est verrouillée, cela risque d'endommager la porte ou le verrou.

4. Allumer les ventilateurs ou les événements de la cuisine pour aider à enlever les odeurs pendant le cycle d'autonettoyage.
5. S'assurer que la porte du four est fermée.
6. Appuyer sur la touche **Self-clean** (autonettoyage).
7. Appuyer sur la touche **START** (démarrer).

Le tableau de commande verrouille automatiquement la porte du four pendant l'autonettoyage. Le verrou empêche la porte de s'ouvrir étant donné que les températures élevées à l'intérieur peuvent facilement causer des blessures. Si la porte n'est pas fermée, un message d'erreur s'affichera. Afin de rectifier le problème, appuyer sur **CANCEL · SECURE** (annuler-sécuriser) et attendre environ une minute, ensuite fermer la porte. Lorsque la porte est bien fermée, recommencer le processus d'autonettoyage.

L'affichage montre le statut du cycle d'autonettoyage :

- Le symbole de nettoyage indique que l'autonettoyage est en cours.
- Le symbole de verrouillage indique que la porte est verrouillée.



Pour arrêter le cycle d'autonettoyage, appuyer sur la touche **CANCEL · SECURE** (annuler-sécuriser). Garder à l'esprit que la porte du four demeurera verrouillée (le symbole de verrouillage s'affichera) jusqu'à ce qu'on puisse ouvrir la porte en toute sécurité. Il faut faire preuve de prudence parce que l'intérieur du four sera quand même chaud.

Après l'achèvement du cycle d'autonettoyage :

- Le verrou de la porte se libérera lorsque l'intérieur se sera refroidi. L'icône de nettoyage, l'icône de verrouillage et le témoin "ON" (en marche) disparaîtront de l'affichage. Il faut faire preuve de prudence parce que le four sera quand même chaud au moment où le verrou de la porte est libéré.
- Réinstaller le filtre de convection et les grilles du four avant d'utiliser le four.
- On peut remarquer un résidu de cendre au fond du four après l'autonettoyage. Cette situation est normale. Utiliser un chiffon ou une éponge humide pour essuyer le résidu après le refroidissement du four.

Conseils concernant l'autonettoyage

- S'il reste de la saleté dans le four après le cycle d'autonettoyage, on peut répéter le cycle.
- Effectuer régulièrement l'autonettoyage du four pour prévenir l'accumulation excessive de la saleté. Cela améliore l'efficacité du cycle d'autonettoyage et réduit la fumée et les odeurs.

Régler le four à la position d'autonettoyage plus tard

1. Préparer le four pour l'autonettoyage en suivant les instructions. Suivre toutes les mesures de sécurité et retirer tous les articles énumérés de l'intérieur du four. Nettoyer le joint de porte et autour de la porte en suivant les instructions.
2. Fermez la porte du four.
3. Appuyer sur la touche **Self-clean** (autonettoyage).
4. Appuyer sur la touche **START TIME** (heure de démarrage).
5. Entrer le démarrage différé désiré. Par exemple, appuyer 1-2-3-0 pour 12 h 30. On a la possibilité de choisir l'heure jusqu'à 22 heures et 59 minutes d'avance.

continué...

Entretien et nettoyage

Régler le four à la position d'autonettoyage plus tard (suite)

- Appuyer sur **START**. (démarrer). Lorsqu'on appuie sur **START**, "**DELAY**" (différé) apparaîtra sur l'affichage et la porte du four se verrouillera. L'autonettoyage commencera à l'heure choisie.

Lorsque le four est réglé pour un autonettoyage ultérieur...

- On peut voir l'heure en appuyant sur la touche **CLOCK**.
- Si l'heure est affichée, on peut voir le démarrage différé du cycle d'autonettoyage en appuyant sur **START TIME**.
- Lorsque le cycle d'autonettoyage commence, "**DELAY**" (différé) disparaîtra et "**ON**" (en marche) apparaîtra sur l'affichage.

Pour annuler le cycle d'autonettoyage au démarrage différé...

- Appuyer sur **CANCEL/SECURE** (annuler/sécuriser).
- Si le processus d'autonettoyage n'a pas commencé, attendre environ une minute pour le déverrouillage de la porte avant de tenter d'utiliser le four.
- Si le processus d'autonettoyage est en cours, la porte se déverrouillera lorsque le four se sera assez refroidi pour ouvrir la porte de façon sécuritaire. Le four sera quand même chaud (environ 400°F/204°C).

Nettoyage à vapeur rapide

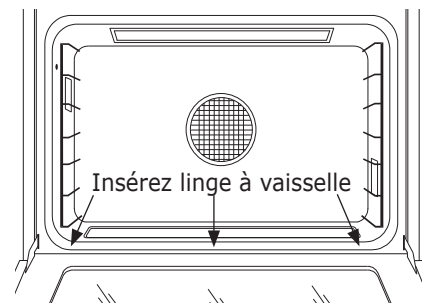
Le processus de nettoyage à la vapeur offre une façon rapide et simple de nettoyer une légère accumulation de salissure à l'intérieur du four. Le nettoyage à la vapeur vous permet d'économiser du temps et de l'énergie comparativement au processus d'auto-nettoyage, qui devrait être utilisé pour une accumulation de salissure plus importante. Dans le cas des cuisinières à deux fours, le processus de nettoyage à la vapeur rapide peut se faire dans les deux fours en même temps, contrairement au processus d'auto-nettoyage.

AVERTISSEMENT

- Afin d'éviter les brûlures, ne versez pas d'eau dans le four lorsqu'il est chaud.
- L'eau qui reste à l'intérieur du four lorsque vous ouvrirez la porte après le nettoyage sera encore chaude
- Ne réglez pas le four à une température supérieure à 85 °C (185 °F).

- Retirer les grilles, le filtre de convection, toute la batterie de cuisine (marmites, poêles, fourchettes, etc.), la sonde thermique, les feuilles d'aluminium et tout autre objet libre de la chambre de cuisson.
- Tout en vous assurant que le four est frais, versez 375 ml d'eau (eau distillée de préférence) dans la partie renfoncée du fond du four. Pour une accumulation légèrement plus importante, vous pouvez mélanger une cuillère à thé de savon à vaisselle dans l'eau avant de la verser.

- Tout en vous assurant que le four est frais, versez 375 ml d'eau (eau distillée de préférence) dans la partie renfoncée du fond du four. Pour une accumulation légèrement plus importante, vous pouvez mélanger une cuillère à thé de savon à vaisselle dans l'eau avant de la verser.



- Fermez la porte du four, appuyez sur le bouton **BAKE**. Réglez ensuite la température du four à 85 °C (185 °F) et appuyez sur **START** (démarrer).
- Réglez la minuterie à 20 minutes.
- Lorsque le signal sonore de la minuterie retentit, appuyez sur **CANCEL · SECURE**. (annuler · sécuritaire). Attendez 10 minutes avant d'ouvrir la porte. Lorsqu'on ouvre la porte, il y a habituellement une grande quantité de vapeur, de condensation et d'eau à l'intérieur.
- À l'aide d'une éponge savonneuse, essuyez d'abord l'intérieur de la fenêtre de la porte. Ensuite, essuyez soigneusement le reste de l'eau à l'intérieur du four.
- Frottez l'intérieur du four à l'aide de l'éponge savonneuse jusqu'à ce qu'il ne reste plus de graisse et de salissure sur les surfaces intérieures. Vous pouvez enlever les dépôts de chaux avec un chiffon imbibé de vinaigre.
- Assurez-vous que toutes les surfaces sont sèches après le nettoyage en essuyant le four à l'aide d'essuie-tout. Laissez la porte entrouverte afin de permettre à la condensation de s'échapper.

Répétez le processus chaque fois que la salissure commence à s'accumuler à l'intérieur du four.

Nettoyage de l'extérieur

Tableau de commande

AVERTISSEMENT

Ne pas utiliser de nettoyeurs ou applicateurs abrasifs sur le tableau de commande. Ils peuvent endommager la finition de façon permanente.

Afin d'éviter d'allumer le four accidentellement pendant le nettoyage du panneau de sécurité, activer la fonction de verrouillage. Appuyer la touche **CANCEL · SECURE** (annuler/sécuriser) pendant six secondes. La fonction de verrouillage désactive les touches. Lorsque le tableau de commande est verrouillé, le mot "**OFF**" (arrêt) est affiché.

Lorsqu'on veut réactiver le tableau de commande, appuyer sur **CANCEL · SECURE** pendant six secondes.

Nettoyer le tableau de commande avec le côté doux d'une éponge humectée d'une solution douce de détergent et d'eau tempérée. Sécher complètement le tableau de commande à l'aide d'un chiffon doux non pelucheux.

Entretien et nettoyage

Nettoyage des surfaces en acier inoxydable

MISE EN GARDE

Toujours essuyer les surfaces en acier inoxydable (argentées) dans le sens du grain. Pour éviter les égratignures, ne pas utiliser des nettoyeurs ou des lavettes abrasifs sur les surfaces en acier inoxydable.

À l'aide d'un chiffon doux, nettoyer les surfaces en métal avec une solution douce de détergent et d'eau tempérée. Rincer les surfaces et les sécher avec un chiffon doux non pelucheux.

Verre (intérieur et extérieur)

Utiliser un nettoyant pour verre doux pour enlever les empreintes digitales. On peut également nettoyer les surfaces de verre avec la crème nettoyante pour table de cuisson de Dacor. Utiliser la crème selon les directives de l'emballage.

On peut frotter les lentilles de la lumière du four avec le côté rugueux d'une éponge et de l'eau tempérée savonneuse. Éviter de l'égratigner.

Nettoyage de l'intérieur

Nettoyage de le filtre de convection

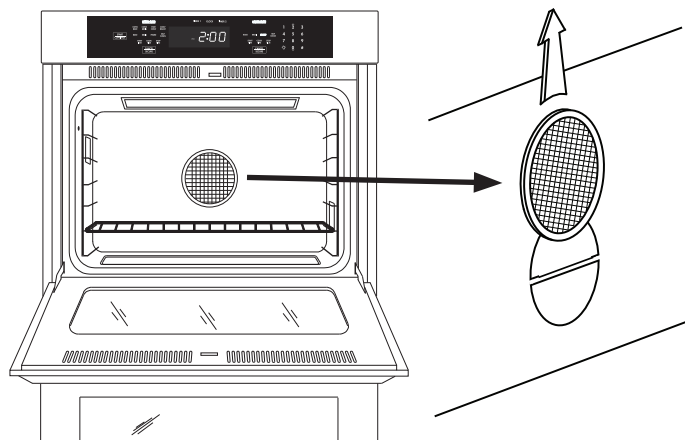
ADVERTISSEMENT

Pour des raisons de sécurité et pour un bon rendement du four, ne pas utiliser le four pour la cuisson sans le filtre à convection installé. Lorsque le filtre n'est pas installé, les pales de ventilateur en rotation à l'arrière du four sont exposées.

Le filtre de convection se trouve à l'arrière de chaque chambre du four. Nettoyer régulièrement le filtre. Si on permet au filtre de s'obstruer, les modes de cuisson par convection du four ne fonctionneront pas correctement. Il faut également retirer le filtre pendant le cycle d'autonettoyage.

Retirer le filtre de convection...

Après le refroidissement du four, placer les doigts autour des bords du filtre et pousser doucement vers le haut.

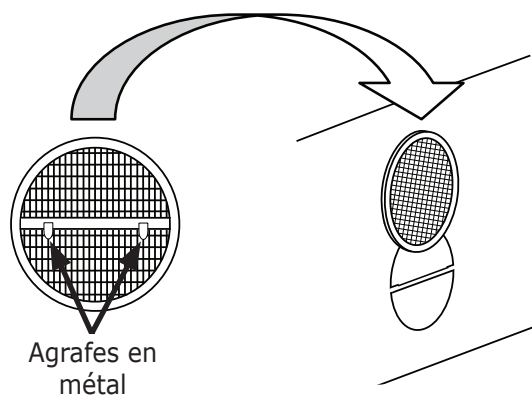


Pour nettoyer le filtre...

Tremper le filtre dans de l'eau chaude savonneuse. Bien rincer le filtre. On peut également placer le filtre dans le panier du haut d'un lave-vaisselle. Sécher le filtre avant de le réinstaller.

Installation du filtre de convection du four...

Accrocher soigneusement les agrafes en métal à l'arrière du filtre sur la barre métallique à travers le trou du ventilateur. S'assurer qu'elle est centrée sur le trou. Éviter de gratter les surfaces en porcelaine avec le dos du filtre.



Joint de porte (sceau)

ADVERTISSEMENT

Il faut être extrêmement prudent pendant le nettoyage du joint de porte. Le frotter ou le déplacer peut endommager le joint d'étanchéité serré de la porte nécessaire pour la cuisson et l'autonettoyage.

Nettoyer le joint de porte en appliquant une solution d'eau et de savon doux par petites touches. Ne pas frotter le joint de porte ou il s'endommager.

Grilles

MISE EN GARDE

Afin de prévenir les dommages, ne pas autonettoyer les grilles du four.

Pour nettoyer les grilles du four, appliquer une solution de détergent et d'eau chaude. Lorsqu'il est nécessaire de nettoyer beaucoup de saleté, utiliser un tampon de récurage comme la laine d'acier avec suffisamment d'eau. On peut également utiliser une solution d'une tasse d'ammoniac pour deux gallons d'eau.

Sonde thermique

MISE EN GARDE

Afin de prévenir les dommages, ne pas immerger la sonde thermique dans de l'eau.

La sonde thermique est fabriquée de poignées en silicone, d'une fiche et d'une aiguille en acier inoxydable. Pour nettoyer l'aiguille, utiliser un tampon de récurage et de l'eau chaude savonneuse. Essuyer les poignées avec une éponge douce trempée d'une solution de détergent et d'eau tempérée.

Entretien et nettoyage

Remplacement de l'ampoule

ADVERTISSEMENT

- Afin de prévenir la commotion électrique et/ou les blessures, s'assurer que le four et les ampoules sont froids et que l'alimentation au four est coupée au niveau du bloc d'alimentation avant de remplacer les ampoules.
- Toujours s'assurer que les lentilles sont en place pendant le fonctionnement du four. Les lentilles protègent les ampoules du bris causé par les températures élevées du four ou le choc mécanique.
- Le fait de remplacer les lentilles sans aligner l'entaille avec la douille endommagera le dispositif d'éclairage.
- Ne pas utiliser un tournevis pour retirer les lentilles.

Le remplacement de l'ampoule est jugé comme une opération d'entretien relevant du propriétaire. Avant de remplacer les ampoules qui ne fonctionnent pas, voir **Guide de dépannage**.

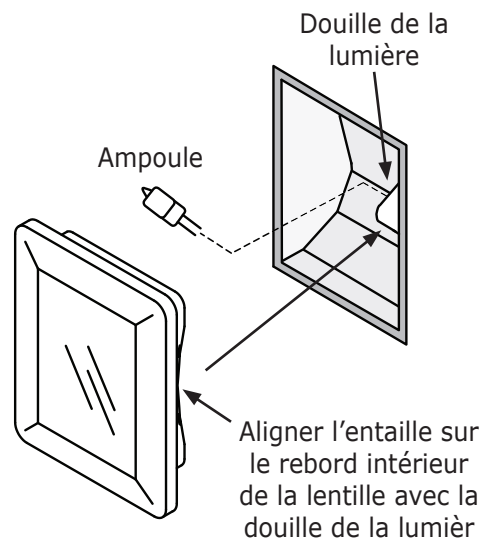
IMPORTANT

Ne pas toucher l'ampoule à halogène de remplacement avec ses doigts. Les ampoules à halogène sont sensibles aux huiles de la main. Les huiles de la main colleront à l'ampoule et cette dernière brûlera plus rapidement.

Pour remplacer les ampoules...

1. Remplacer l'ampoule uniquement avec le numéro de pièce 107112 de Dacor (120 volts, 20 watt seulement). Voir www.everythingdacor.com.

2. Couper l'alimentation à l'appareil ménager au niveau du tableau disjoncteurs ou du coffret de fusibles.
3. Appuyer la main sous la lentille et enlever doucement l'ampoule à l'aide d'une spatule ou d'un couteau de cuisine. Retirer la lentille.
4. Saisir l'ancienne ampoule et la retirer de la douille.
5. À l'aide d'un gant, insérer la nouvelle ampoule dans la douille.
6. Pendant la réinstallation de la lentille, aligner l'entaille sur le rebord intérieur avec la douille de la lumière. Appuyer doucement pour remettre la lentille à sa place initiale.
7. Ouvrir l'alimentation au four au niveau de l'alimentation principale.
8. Réinitialiser l'horloge (voir page 27).



Avant de demander une réparation

Guide de dépannage

Problème	Cause probable	À faire
Rien ne fonctionne.	L'appareil ménager n'est pas branché à l'alimentation électrique.	Demander à un installateur qualifié raccorder l'appareil ménager à la boîte de connexion installée par un électricien agréé.
	L'alimentation est coupée.	Alimenter à l'appareil au niveau du disjoncteur ou du coffret de fusibles.
	Le tableau de commande est verrouillé.	Appuyer sur la touche CANCEL · SECURE pendant 6 secondes pour réactiver le tableau de commande.
	Panne de courant.	Communiquer avec la compagnie d'électricité.
Le four ne chauffe pas.	Le réglage du four n'est pas correct.	Appuyer sur CANCEL · SECURE , Suivre les instructions de la section Utilisation .
	Le four est réglé pour la cuisson au démarrage différé.	Le four se mettra en marche automatiquement à l'heure pré-réglée. Appuyer sur CANCEL · SECURE pour retourner au fonctionnement normal.
	On tente de griller avec la sonde thermique branchée.	Les réglages de grillage (BROIL) et de grillage par convection (CONV BROIL) ne fonctionneront pas lorsque la sonde thermique est branchée.
Les aliments cuisent trop ou pas assez.	Temps ou température de cuisson incorrecte.	Suivre les instructions de la section Utilisation .

Avant de demander une réparation

Problème	Cause probable	À faire
Le four s'arrête par lui-même après 12 heures de fonctionnement.	La minuterie de 12 heures est en marche. L'appareil est réglé pour s'arrêter automatiquement après 12 heures d'utilisation continue.	Arrêter la minuterie de 12 heures. Voir page 30.
Le four ne s'autonettoye pas.	La porte du four n'est pas bien fermée.	Vérifier la présence d'obstructions. Bien fermer la porte.
	Le four est réglé pour un nettoyage à démarrage différé.	L'autonettoyage du four se fera à l'heure préréglée. Appuyer sur CANCEL · SECURE pour retourner au fonctionnement normal.
	Le four n'est pas réglé correctement.	Suivre les instructions de la section Nettoyage et entretien .
	La sonde thermique est branchée.	Le cycle d'autonettoyage du four ne commencera pas lorsque la sonde thermique est branchée. Débrancher et retirer la sonde thermique.
La porte du four ne s'ouvre pas.	Le four est réglé pour s'autonettoyer.	Si le symbole de verrouillage apparaît, on ne peut pas ouvrir la porte. Attendre la fin de l'autonettoyage ou appuyer sur CANCEL · SECURE .
Les lumières du four ne fonctionnent pas.	Le four est en mode autonettoyage.	La touche de la lumière est désactivée lorsque le four se trouve en mode autonettoyage
	Le four est en mode sabbat.	La touche de la lumière est désactivée lorsque le four se trouve en mode sabbat.
	Les ampoules sont brûlées.	Remplacer les ampoules.
Les lumières du four ne s'éteignent pas.	La touche des lumières est réglée.	Appuyer sur la touche des lumières pour éteindre les lumières.
Le mode sabbat ne fonctionne pas.	La sonde thermique est branchée.	Le mode sabbat ne fonctionnera pas si la sonde thermique est branchée. Débrancher et retirer la sonde thermique.
Le four passe trop rapidement au mode d'attente après la connexion de la sonde thermique.	Le connecteur de la sonde thermique est encore mouillé après le nettoyage.	À l'aide d'un chiffon sec, séchez la partie en métal de la prise qui se branche au four.
Le ventilateur continue de fonctionner après l'arrêt du four.	Fonctionnement normal.	Le ventilateur peut fonctionner pendant un certain temps après l'arrêt du four, jusqu'au refroidissement des pièces internes.
	L'heure sur l'affichage n'est pas affichée correctement.	Régler l'heure. Voir page 27.
Ne peut pas régler l'heure.	Panne de courant ou l'alimentation a été coupée.	Réinitialiser l'heure. Voir page 27.
	Le four est en usage. On ne peut pas régler l'heure lorsqu'on utilise le four. Arrêter le four pour régler l'heure.	Arrêter le four pour régler l'heure.
L'heure clignote sur l'affichage.	Panne de courant ou l'alimentation a été coupée.	Régler l'heure. See page 27.
Le tableau de commande n'émet pas de timbre lorsqu'on appuie sur le panneau de commande et lorsque se termine le compte à rebours de la minuterie.	Le timbre du tableau de commande est désactivé.	Activer le timbre. Voir page 27.
Un code d'erreur apparaît et demeure sur l'affichage, par exemple "U55."	Un code d'erreur ayant une lettre suivi d'un chiffre qui apparaît et demeure sur l'affichage indique un problème qui ne peut pas être résolu par le client.	Communiquer avec un service de dépannage.

Garantie et service

Pour obtenir de l'aide

Avant de demander une réparation :

1. Passer en revue la section **Avant de demander une réparation** de ce manuel (page 40).
2. Effectuer les vérifications nécessaires indiquées.
3. Prendre connaissance des conditions générales de la garantie.
4. Si le problème n'est pas résolu, contacter l'équipe du service à la clientèle de Dacor.

Pour des réparations sous garantie, contacter :

Téléphone : (800) 793-0093, ext. 2822 (É.-U. et Canada)
Du lundi au vendredi, De 6 h à 17 h, heure normale du Pacifique

Pour les réparations hors garantie, contacter :

Téléphone : (800) 793-0093, ext. 2813 (É.-U. et Canada)
Du lundi au vendredi, De 6 h à 17 h, heure normale du Pacifique

Pour nous contacter, veuillez consulter notre site Web à :

www.dacor.com/contact-us

Garantie

Ce Qui Est Couvert

CERTIFICAT DE GARANTIE : FOUR MURAL DACOR

DANS LES CINQUANTE ÉTATS DES É.-U., LE DISTRICT DE COLUMBIA ET AU CANADA :

GARANTIE COMPLÈTE D'UN AN

La garantie s'applique uniquement à l'appareil Dacor vendu au premier acheteur, à partir de la date de l'achat au détail initial ou la date de clôture de la nouvelle construction, la période la plus longue l'emportant. La garantie est valide sur les produits achetés neufs d'un distributeur agréé de Dacor ou d'un autre vendeur autorisé de Dacor.

Si votre appareil Dacor arrête de fonctionner pendant la période de un an à compter de la date d'achat originale en raison d'une défectuosité des matériaux ou du travail, Dacor y remédiera sans frais.

Tous les dommages esthétiques (comme les égratignures sur l'acier inoxydable, les imperfections dans la porcelaine/peinture, etc.) du produit ou des accessoires inclus doivent être signalés à Dacor dans les 60 jours suivant la date d'achat originale afin d'être couverts par la garantie.

À l'exception de ce qui est susmentionné, les pièces consommables comme les filtres et les ampoules ne sont pas couvertes par la garantie et relèvent de la responsabilité de l'acheteur.

LIMITES DE LA COUVERTURE

Le service sera effectué par une entreprise de services désignée par Dacor pendant les heures d'ouverture ordinaires. Veuillez noter que les fournisseurs de services sont des entreprises indépendantes et ne sont pas des agents de Dacor.

Les produits exposés par le distributeur et ceux exposés dans la maison témoin dont la date de production est d'au moins cinq ans, les produits vendus tels quels et les produits installés pour l'utilisation non résidentielle, comprenant entre autres les organismes religieux, les casernes de pompiers, les chambres d'hôtes et les spas ont uniquement une garantie d'un an pour les pièces.

Les coûts de la livraison, de l'installation, de la main-d'oeuvre et des autres services relèvent de la responsabilité de l'acheteur.

La garantie est nulle et non avenue pour un produit modifié ou endommagé, ou un produit n'ayant pas de numéro de série ou d'étiquettes.

Le propriétaire doit fournir, sur demande, la preuve d'achat ou le relevé de clôture de la nouvelle construction. Tous les produits Dacor doivent être accessibles aux fins d'entretien.

La garantie est nulle et non avenue si un produit non approuvé CSA est transporté des É.-U.

HORS DES CINQUANTE ÉTATS DES É.-U., LE DISTRICT DE COLUMBIA ET AU CANADA :

GARANTIE LIMITÉE À LA PREMIÈRE ANNÉE

Si votre produit DACOR cesse de fonctionner durant l'année qui suit la date initiale d'achat, à cause d'un défaut de matériel ou de main-d'oeuvre, DACOR fournira une nouvelle pièce, FAB en usine, pour remplacer la pièce défectueuse. Tous les frais de livraison, installation et main-d'oeuvre sont la responsabilité de l'acheteur. Le propriétaire devra fournir une preuve d'achat sur demande et l'appareil devra être accessible pour la réparation.

Les coûts de la livraison, de l'installation, de la main-d'oeuvre et des autres services relèvent de la responsabilité de l'acheteur.

Ce Qui N'est Pas Couvert

- Les légères variations de couleur attribuables aux différences des pièces peintes, à l'éclairage de la cuisine, au placement du produit ou à d'autres facteurs; la présente garantie ne s'applique pas aux variations de couleur.
- Les appels de service pour former le client aux bons usage et entretien du produit.
- Les frais de service pour les déplacements vers les îles et les endroits éloignés, comprenant entre autres, les frais pour les traversiers, les frais des autoroutes à péage ou d'autres dépenses.
- Les dommages indirects comprenant entre autres, la perte d'aliments ou de médicaments, les absences du travail ou les repas au restaurant.
- Une panne du produit s'il est utilisé pour le commerce, les affaires ou la location ou pour tout autre application que pour l'usage résidentiel du client.
- La défaillance du produit causée par une mauvaise installation du produit.
- Le remplacement des fusibles ou des boîtes de fusibles de la maison ou le réenclenchement des disjoncteurs.
- Les dommages au produit causés par un accident, un incendie, une inondation, une coupure de l'alimentation électrique, une augmentation subite du voltage ou d'autres actes de la nature.
- La responsabilité quant aux dommages des biens avoisinants, dont les armoires, les planchers, les plafonds et les autres structures ou objets autour du produit.
- Le bris, la décoloration ou les dommages au verre, aux surfaces métalliques, aux composantes plastiques, aux garnitures, à la peinture, la porcelaine ou autre fini esthétique, causés par un usage ou un entretien inadéquats, un abus ou par négligence.

Garantie et service

Hors garantie

Communiquez avec nous si un problème survient après la période normale de la garantie. Dacor examine chaque problème et préoccupation du consommateur afin de fournir la meilleure solution possible en fonction des circonstances.

LES RECOURS OFFERTS DANS LES GARANTIES EXPRESSES CI-DESSUS SONT LES RECOURS UNIQUES ET EXCLUSIFS; PAR CONSÉQUENT AUCUNE AUTRE GARANTIE EXPRESSE N'EST OFFERTE, ET HORS DES CINQUANTE ÉTATS DES É.-U., LE DISTRICT DE COLUMBIA ET AU CANADA, AUCUNE GARANTIE IMPLICITE, Y COMPRIS MAIS SANS Y ÊTRE LIMITÉE, TOUTE GARANTIE IMPLICITE DE QUALITÉ MARCHANDE ET D'ADAPTATION À UN USAGE PARTICULIER POUR UN ACHAT. EN AUCUN CAS, DACOR NE SERA TENU RESPONSABLE POUR DES FRAIS ACCESSOIRES OU DES DOMMAGES INDIRECTS. AUCUNE GARANTIE N'EST OFFERTE, EXPRESSE OU IMPLICITE À UN ACHETEUR POUR LA REVENTE.

Certains états ou provinces n'autorisent pas de restriction à la durée d'une garantie implicite ni l'exclusion ou la restriction de dommages accessoires ou indirects; les restrictions ou exclusions pourraient donc ne pas s'appliquer à vous. Cette garantie vous donne des droits particuliers et vous pourriez également avoir d'autres droits qui varient selon les états et provinces.

Notes



dacor
The Life of the Kitchen.®

