

DTF364SIWS



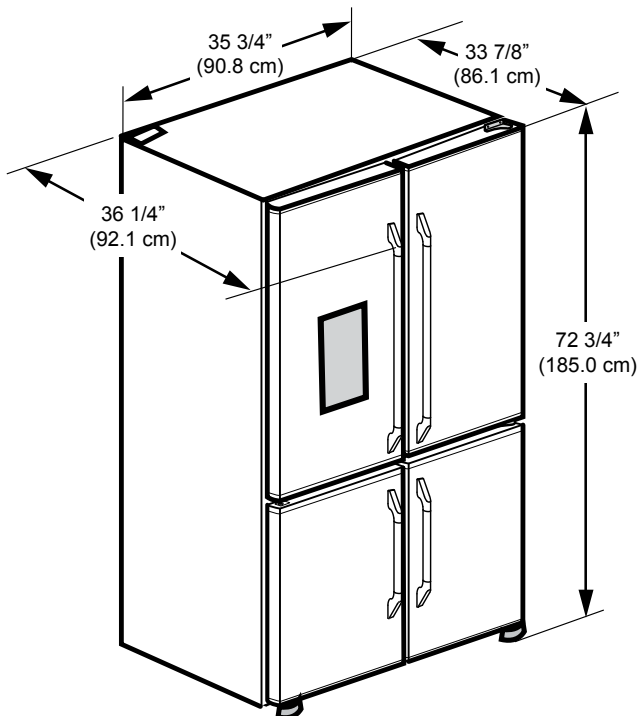
Distinctive® 36" Wide Freestanding Refrigerator with Dispenser

PLANNING GUIDE

WARNING

- Observe all governing codes and ordinances during planning and installation. Contact your local building department for further information.
- This appliance must be installed in accordance with the accompanying installation instructions.

Product Dimensions



Location Requirements

The refrigerator can be recessed in an opening between cabinets or installed at the end of a cabinet run using a side panel to enclose it.

- ◇ Install the refrigerator at least 12" (30 cm) away from heat sources such as ranges, cooktops, ovens and heaters. Do not choose a location that exposes the appliance to direct sunlight or humidity.
- ◇ Appropriate air ventilation must be provided. Leave at least 2" (5 cm) distance above and to the sides of the appliance.
- ◇ Do not locate the refrigerator on tops of rugs or carpets.
- ◇ Place the appliance on an even floor surface for stability.
- ◇ Do not install the refrigerator in places where the temperature falls below 50°F (10°C).
- ◇ If two refrigerators are to be installed side by side, there should be at least 2" (5 cm) minimum distance between them.

Electrical Requirements

- ◇ A grounded three prong, non-GFCI electrical outlet must be provided and should be in a location that allows the refrigerator to be connected without an extension cord.
- ◇ A 115 Volt, 60 Hz. AC only 15 or 20 Amp. fused, grounded electrical supply is required. It is recommended that a separate circuit serving only your refrigerator be provided. Use an outlet that cannot be turned off by a switch. It must be protected by an appropriate sized fuse or circuit breaker.
- ◇ The power plug must be within easy reach after installation without using an extension cord. Do not use an adapter plug.

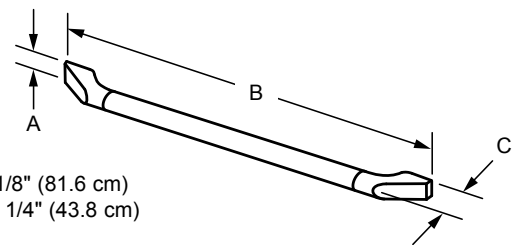
Water Supply Requirements

- ◇ A cold water supply with water pressure of between 14.5 psi and 115 psi (100 and 800 kPa) is required to operate the water dispenser and ice maker. If you have questions about your water pressure, call a licensed, qualified plumber.
- ◇ Install a shut off valve between the refrigerator and water supply. Use 1/4" copper tubing with a compression nut and compression sleeve and check for leaks. Install copper tubing only in areas where the household temperatures will remain above freezing.
- ◇ Do not use a piecing type or 3/16" (5 mm) saddle valve which will reduce water flow and clog more easily.
- ◇ The plumbing for the water line can come through the floor flush to or from the back wall. Install the water valve in a location that allows it to be turned off without moving the refrigerator out in the event the refrigerator or water line requires service.

Reverse Osmosis Water supply

IMPORTANT: The pressure of the water supply coming out of a reverse osmosis system going to the water inlet valve of the refrigerator needs to be between 14.5 psi and 115 psi (100 and 800 kPa).

Handle Dimensions



- A = 13/16" (2.1 cm)
- B refrigerator = 32 1/8" (81.6 cm)
- B freezer door = 17 1/4" (43.8 cm)
- C = 2 3/8" (6.0 cm)