

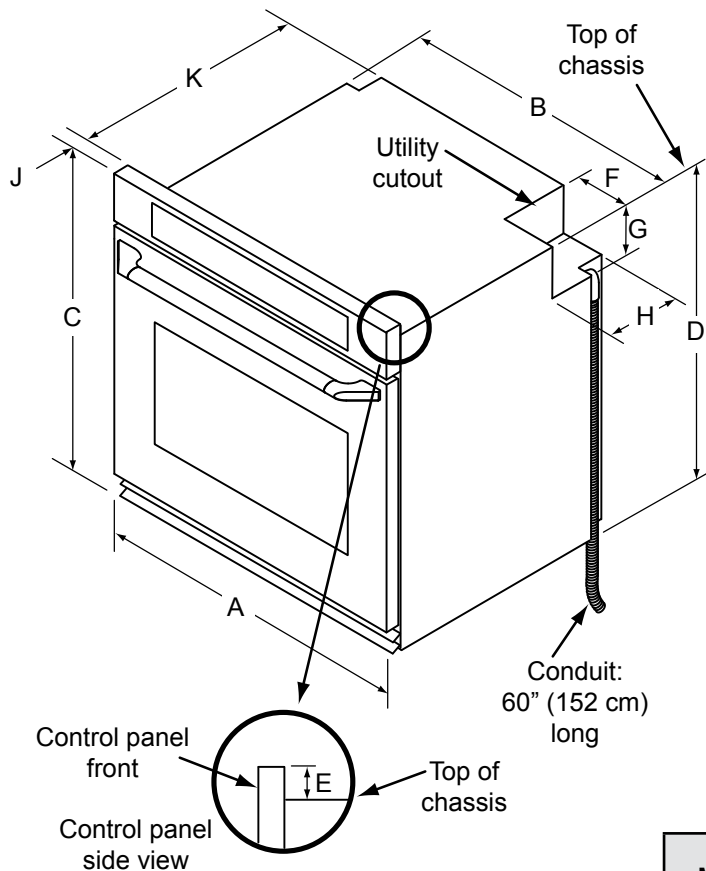
DTO, DTOV



Distinctive® 27" and 30" Wide Single Wall Ovens

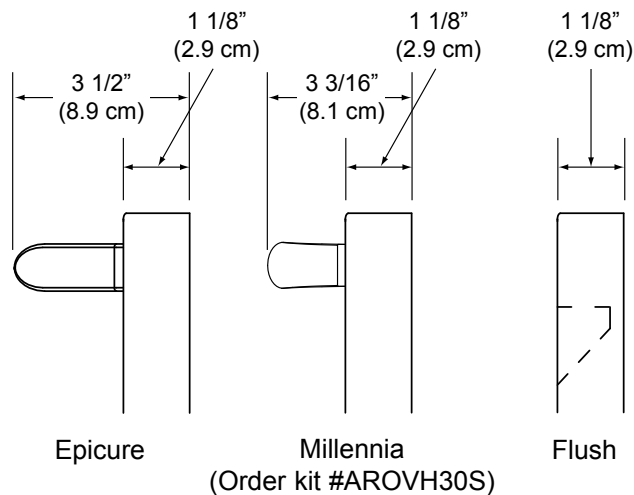
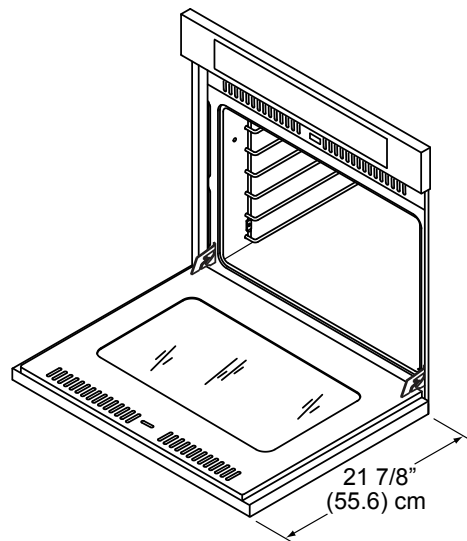
PLANNING GUIDE

Product tolerances: ±1/16" (±1.6 mm) unless otherwise stated



⚠ WARNING

- Observe all governing codes and ordinances during planning and installation. Contact your local building department for further information.
- This appliance must be installed in accordance with the accompanying installation instructions.



Handle Dimensions

Model	(A) Overall Width	(B) Chassis Width	(C) Overall Height	(D)* Chassis Height	(E) Control Panel Overlay
DTO[V]127	26 7/8" (68.3 cm)	25 3/8" (64.5 cm)	27 3/4" (70.5 cm)	26 5/8" (67.6 cm)	1 1/8" (2.9 cm)
DTO[V]130	29 7/8" (75.9 cm)	28 3/8" (72.1 cm)	27 3/4" (70.5 cm)	26 5/8" (67.6 cm)	1 1/8" (2.9 cm)

(F) Utility Cutout Width	(G) Utility Cutout Height	(H) Utility Cutout Depth	(J) Control Panel Depth	(K) Notch Depth
6 1/2" (16.5 cm)	5" (12.7 cm)	7 7/8" (20.0 cm)	1 1/4" (3.2 cm)	23 1/2" (59.7 cm)

ELECTRICAL SPECIFICATIONS		
Model	Dedicated Circuit Requirements	Total Connected Load
DTO[V]127	240 Vac 60 Hz., 4-wire,*** 30 Amp.	240 Vac 60 Hz, 23.3 Amp., 5.6 kW
DTO[V]130	240 Vac 60 Hz., 4-wire,*** 30 Amp.	240 Vac 60 Hz, 24.9 Amp., 6.0 kW

*** Two 120 Vac hot (L1 and L2), one neutral, one ground

The above specifications are for reference only. See the appliance data plate for exact specifications.



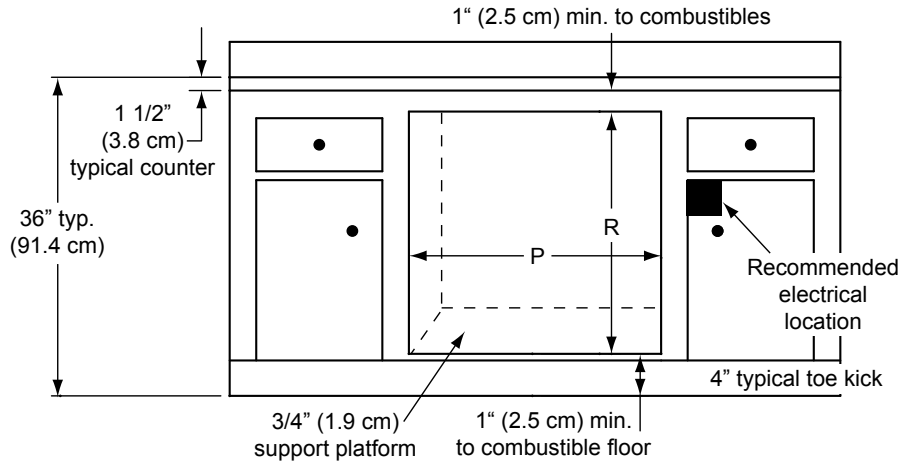
DTO, DTOV



Distinctive 27" and 30" Wide Single Wall Ovens

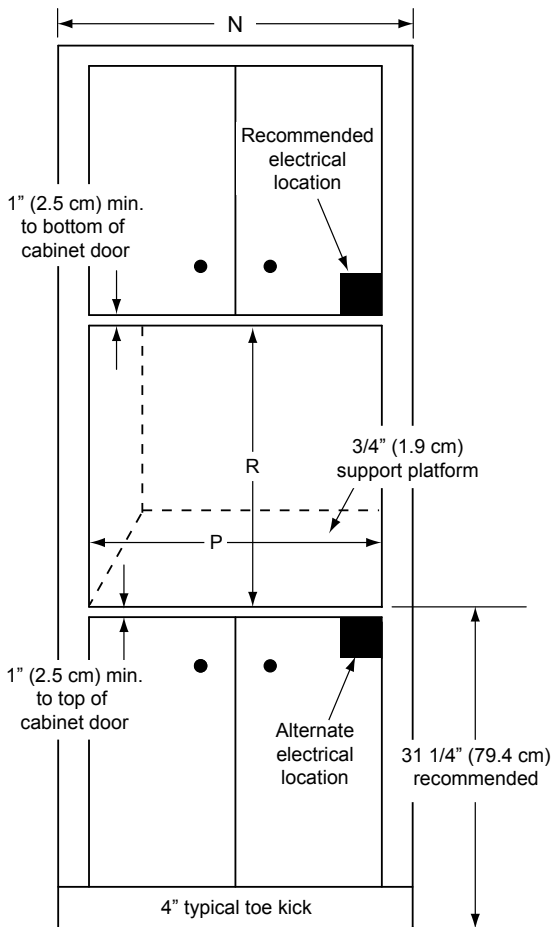
PLANNING GUIDE

Cabinet/countertop tolerances: +1/16", -0, (+1.6 mm, -0) unless otherwise stated



SINGLE WALL OVEN - INSTALLED UNDER COUNTER

Minimum Interior Cabinet Depth: 24" (61.0 cm)



SINGLE WALL OVEN - CUTOUT DIMENSIONS

Model	(N) Minimum Cabinet Width	(P) Cut Out Width	(R) Cutout Height
DTO[V]127	27" (68.6 cm)	25 1/2" (64.8 cm) minimum (recommended)	26 3/4" (67.9 cm) minimum (recommended)
		26 1/8" (66.4 cm) maximum	27 1/2" (69.9 cm) maximum
DTO[V]130	30" (76.2 cm)	28 1/2" (72.4 cm) minimum (recommended)	26 3/4" (67.9 cm) minimum (recommended)
		29 1/8" (74.0 cm) maximum	27 1/2" (69.9 cm) maximum