

# JP656DD

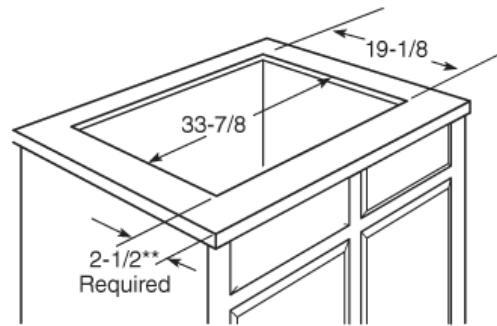
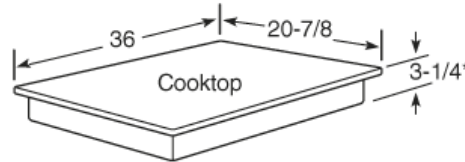
## GE® 36" Built-In Clean Design Electric Cooktop

### Dimensions and Installation Information (in inches)

**Important:** Requires a 5" free area between the bottom of the cooktop to any combustible material, i.e., shelving. Free area not required when installing wall oven underneath cooktop. Refer to installation instructions. Requires a 15" minimum from cooktop to adjacent overhead cabinets. Units are furnished with a 48" flexible armored cable.

**Note:** 36" Ribbon cooktops are approved for use over select GE 30" Single Wall Ovens and Warming Drawers. Refer to cooktop and wall oven/warming drawer installation instructions packed with product for current dimensional data. If installed with a GE Telescopic Downdraft System, consult both the cooktop and downdraft installation instructions packed with product before installing. Cooktop gas/electric supply may need to be re-routed to install downdraft. The countertop cutout requires 23-1/2" minimum flat countertop surface and 25" minimum total countertop depth. In addition, other clearances to front edge of the countertop must be considered. Consult cabinet and countertop manufacturer's specs for flush mount installation prior to install.

**Before installing, consult installation instructions packed with product for current dimensional data.**

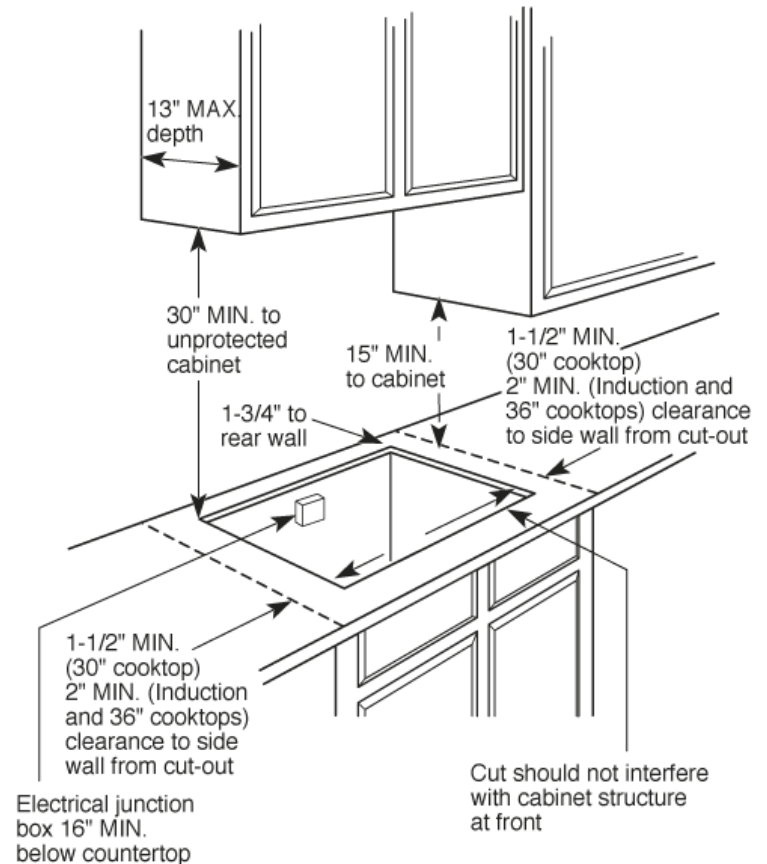


\*Depth of unit at conduit connection location (rear) is 6-1/4" on models PP975/945 and 4-3/16" on models CP350/650, PP944/962/932/912, and JP656/356/336. Depth of unit at baffle (front) is 4-5/8" on models PHP960/900.

\*\*Raised bull nose countertops may require up to 3/8" additional clearance to prevent interference with curved front.

KW Rating	
240V	8.7
208V	6.5
Breaker Size	
240V	40 Amps†
208V	40 Amps†

†Note: Check local codes for required breaker size



imagination at work

For answers to your Monogram® or GE appliance questions, visit our website at [geappliances.com](http://geappliances.com) or call GE Answer Center® service, 800.626.2000.



\*ADA qualified based on Uniform Federal Accessibility Standards



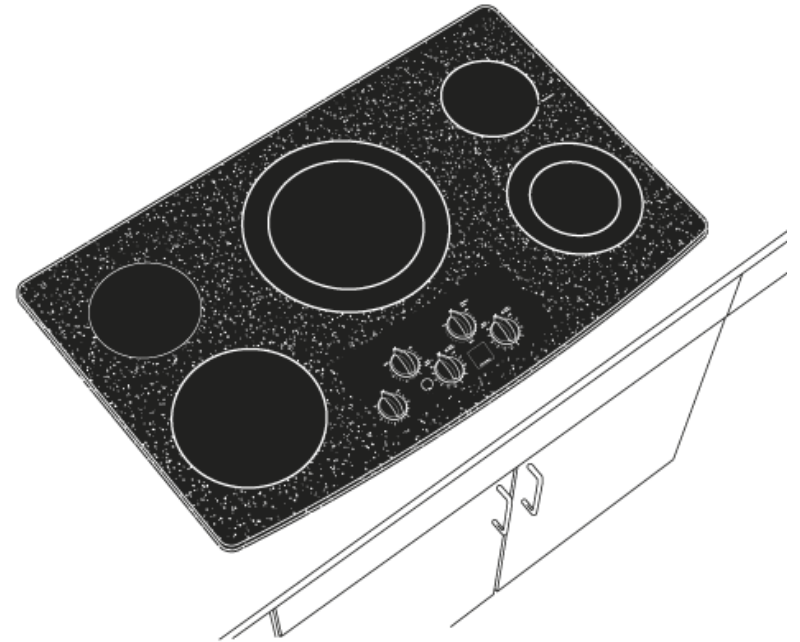
Listed by Underwriters Laboratories

# JP656DD

## GE® 36" Built-In Clean Design Electric Cooktop

### Features and Benefits

- Ceramic-glass cooktop - Cleanup is quick and easy
- Ribbon heating elements - Consistent heat and glass surface provide fast, even heating
- 9"/12" dual element - Choose a 9" or 12" heating element
- 8" Power boil element - 2,500 watts produce quick, vigorous heat
- Model JP656DDWW - White on white
- Model JP656DDBB - Black on black



imagination at work