

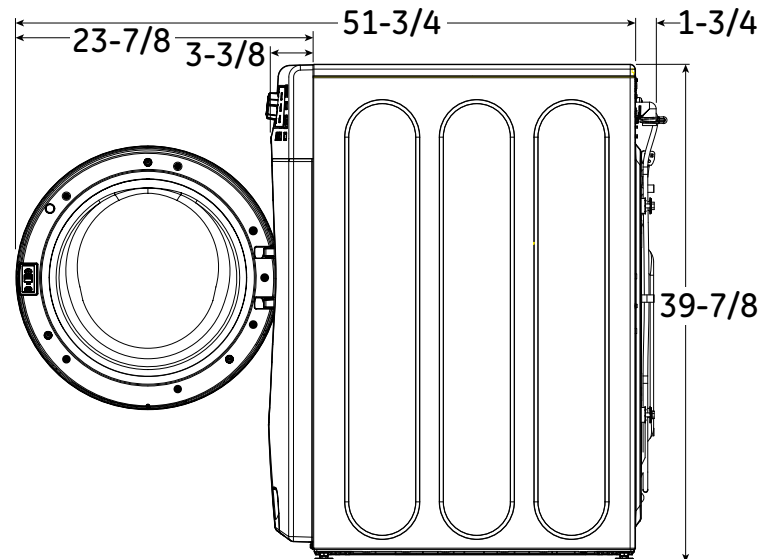
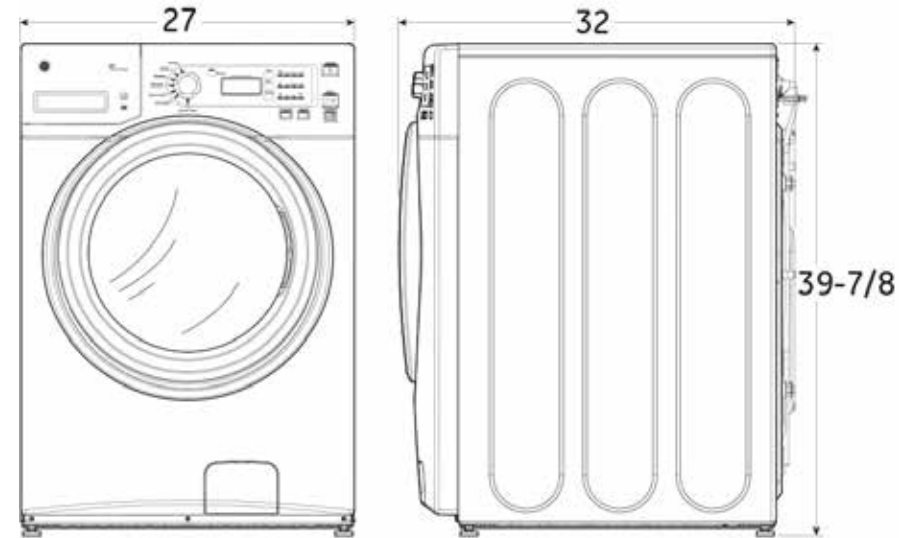
# GFWN1100H

## GE® ENERGY STAR® 3.6 DOE IEC Cu. Ft. Capacity Frontload Washer with Stainless Steel Basket

### Dimensions and Installation Information (in inches)

Electric Rating	
120V	12.0A, 60Hz

**Installation Information:** For complete information, see installation instructions packed with your washer.



For answers to your Monogram®, GE Profile™ or GE® appliance questions, visit our website at [geappliances.com](http://geappliances.com) or call GE Answer Center® service, 800.626.2000.



imagination at work



Listed by  
Underwriters  
Laboratories

# GFWN1100H

## GE® ENERGY STAR® 3.6 DOE IEC Cu. Ft. Capacity Frontload Washer with Stainless Steel Basket

### Special Installation Requirements:

#### Stacked Installation:

- Brackets for stacking dryer over washer are not included with the washer. Order part no. GEFLSTACK or part no. WE25X10018.

#### Alcove or Closet Installation:

- If your dryer is approved for installation in an alcove or closet, it will be stated on a label on the dryer back.
- The dryer MUST be exhausted to the outside.
- Minimum clearances between dryer cabinet and adjacent walls or other surfaces are: 0" either side, 3" front and rear
- Minimum vertical space from floor to overhead cabinets, ceilings, etc. is 52".
- Closet doors must be louvered or otherwise ventilated and must contain a minimum of 60 sq. in. of open area equally distributed. If this closet contains both a washer and a dryer, doors must contain a minimum of 120 sq. in. of open area equally distributed.
- No other fuel-burning appliance shall be installed in the same closet with a gas dryer.

#### Bathroom or Bedroom Installation:

- The dryer MUST be exhausted to the outdoors.
- The installation must conform with the local codes, or in the absence of local codes, with the National Electric Code and National Fuel Gas Code, ANSI Z223.

#### Minimum Clearance other than Alcove or Closet Installations:

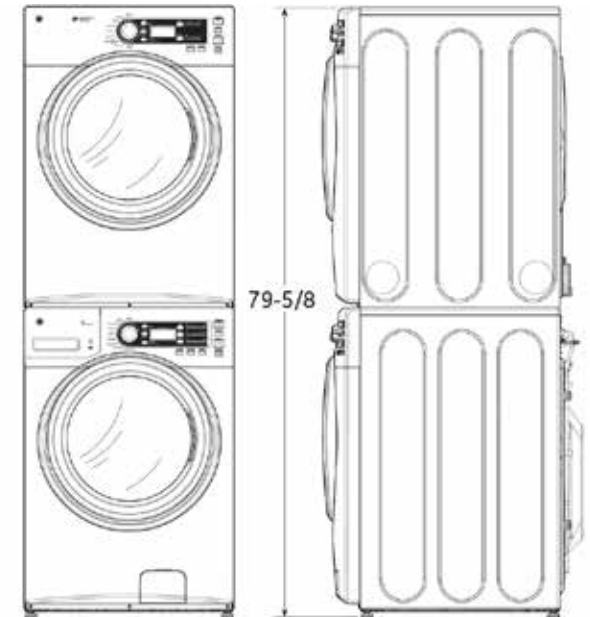
- Minimum clearances to combustible surfaces 0" both sides, 3" rear.

For more information on venting kits and accessories, please call 1-800-GE-CARES.

For answers to your Monogram®, GE Profile™ or GE® appliance questions, visit our website at [geappliances.com](http://geappliances.com) or call GE Answer Center® service, 800.626.2000.



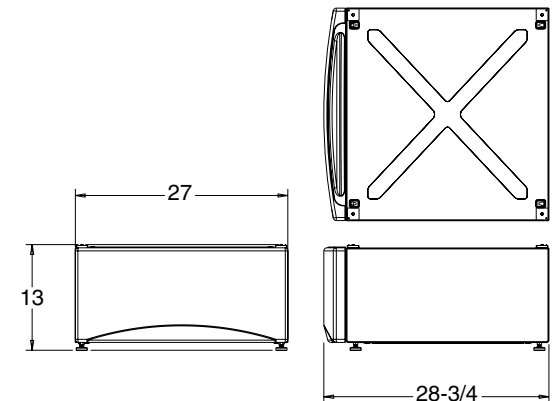
Stacked Dimensions (in inches)



Pedestal Dimensions (in inches)

#### SBSD137HWW - white

This optional 13" pedestal raises the door opening and height of the washer or dryer. Feet on 13" pedestal allow it to adjust to 13-3/8" height.



Above illustrations intended for dimensional reference only. Refer to photography for actual product appearance.

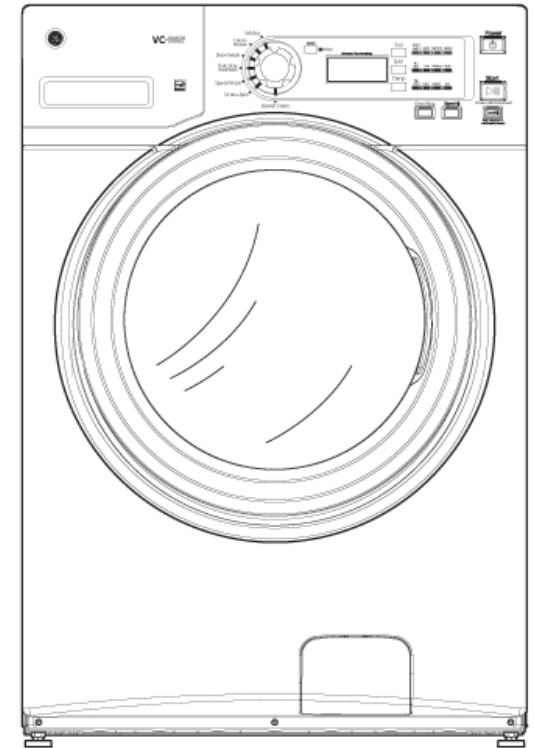


# GFWN1100H

## GE® ENERGY STAR® 3.6 DOE IEC Cu. Ft. Capacity Frontload Washer with Stainless Steel Basket

### Features and Benefits

- Stain Wash tackles the toughest stains, from fresh grass stains to food spills
- Speed Wash provides a quick wash for lightly soiled items that are needed in a hurry
- 1000-RPM spin speed – fast spin speeds remove water efficiently and minimize dry time
- Vibration Control adjusts spin patterns for each floor type for a smoother wash without walking or shaking
- ENERGY STAR® qualified/CEE Tier III - meets or exceeds federal guidelines for energy efficiency for year-round energy and money savings
- 6 wash cycles handle various fabrics and soils
- Model GFWN1100HWW – White



Modified Energy Factor (MEF)	2.54
Water Factor (WF)	4.0

