

PP962EH

GE Profile™ Series 36" Built-In Cooktop

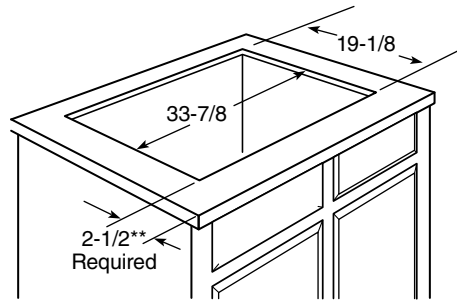
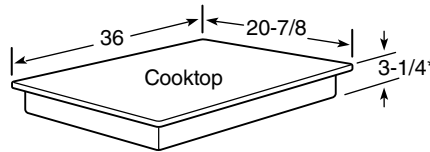
Dimensions and Installation Information (in inches)

†**Note:** Check local codes for required breaker size

Important: Requires a 5" free area between the bottom of the cooktop to any combustible material, i.e., shelving. Free area not required when installing wall oven underneath cooktop. Refer to installation instructions. Requires a 15" minimum from cooktop to adjacent overhead cabinets. Units are furnished with a 48" flexible armored cable.

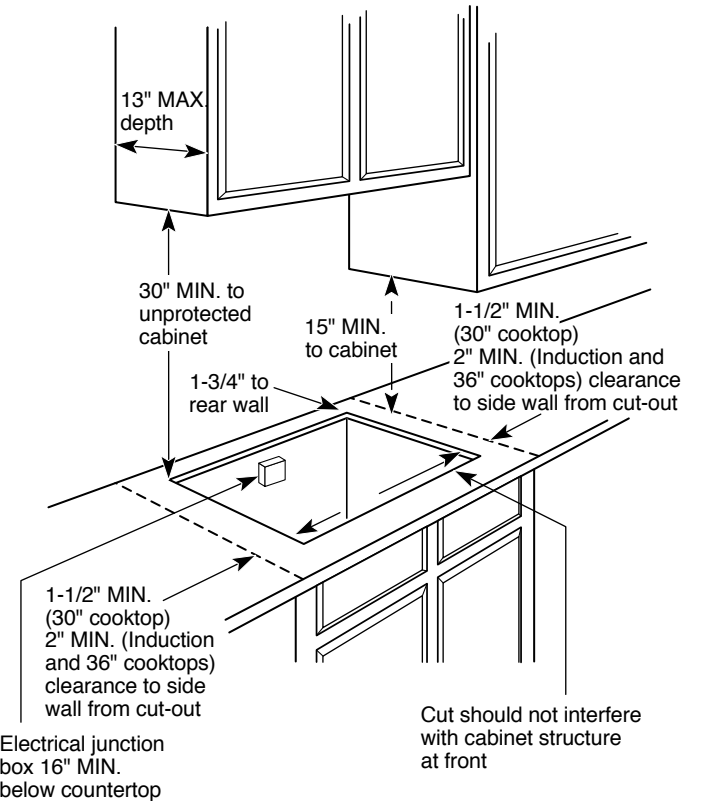
Note: 36" Ribbon cooktops are approved for use over GE 30" Single Wall Ovens and Warming Drawers only. Refer to cooktop and wall oven/warming drawer installation instructions packed with product for current dimensional data. If installed with a GE Profile™ Telescopic Downdraft System, consult both the cooktop and downdraft installation instructions packed with product before installing. Cooktop gas/electric supply may need to be re-routed to install downdraft. The countertop must be at least 26" deep with a flat surface area of 23-1/2" or more, front to back. In addition, other clearances to the front edge of the countertop must be considered, especially on raised bullnose countertops. Consult cabinet and countertop manufacturer's specs for flush mount installation prior to install.

Installation Information: Before installing, consult installation instructions packed with product for current dimensional data.



*Depth of unit at conduit connection location (rear) is 6-1/4" on models PP975/945 and 4-3/16" on models CP350/650, PP944/962/932/912, and JP656/356/336. Depth of unit at baffle (front) is 4-5/8" on models PHP960/900.

**Raised bull nose countertops may require up to 3/8" additional clearance to prevent interference with curved front.



KW Rating	
240V	9.4
208V	7.1
Breaker Size	
240V	40 Amps†
208V	40 Amps†

†**Note:** Check local codes for required breaker size



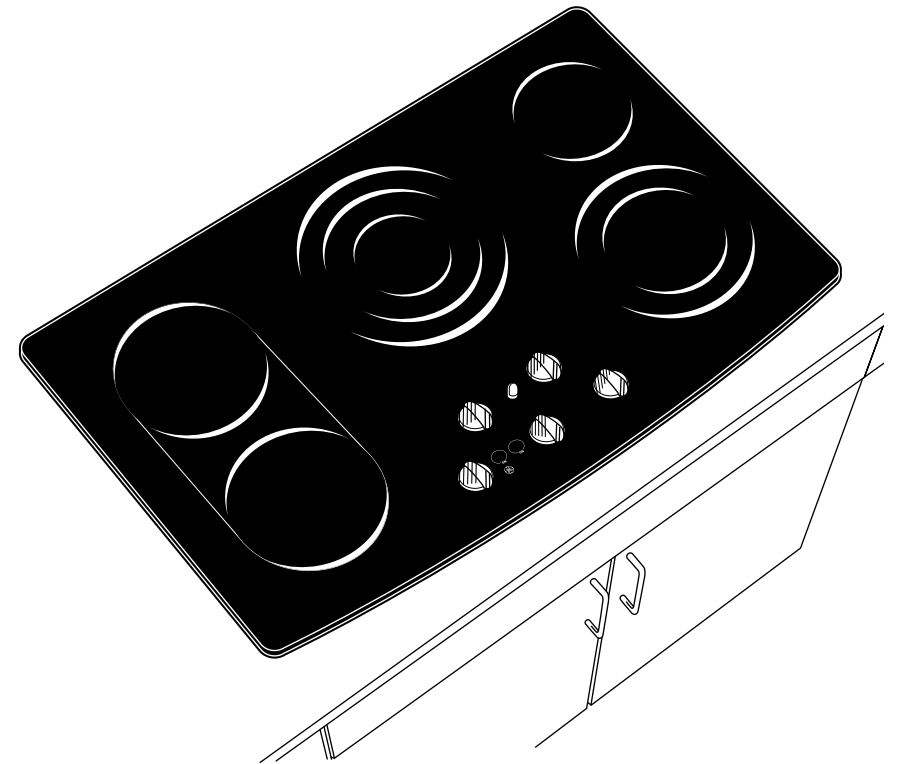
For answers to your Monogram® or GE® appliance questions, visit our website at geappliances.com or call GE Answer Center® service, 800.626.2000.

PP962EH

GE Profile™ Series 36" Built-In Cooktop

Features and Benefits

- Ceramic-glass cooktop - Cleanup is quick and easy
- Ribbon Heating Elements - Consistent heat and glass surface provide fast, even heating
- 6"/9"/12" tri-ring element - Three heating elements in one offer flexibility
- 5"/8" Dual element - Two heating elements in one offer flexibility
- Bridge element - Combines cooking elements into one cooking area
- Heavy-Duty Knobs - Enhanced durability and style
- Stainless steel frame - Compliments all other stainless steel appliances in the kitchen
- Model PP962EHES - Slate



imagination at work