

Viking Use/Installation Guide



Viking Range, LLC

111 Front Street

Greenwood, Mississippi 38930 USA

(662) 455-1200

For product information,

call 1-888-(845-4641)

or visit the Viking website at

vikingrange.com



Outdoor Gas Grill VGBQ
5 Series Carts

IMPORTANT: PLEASE READ AND FOLLOW

1. Before beginning, please read these instructions completely and carefully.
2. Do not remove permanently affixed labels, warnings, or plates from product.

BEFORE INSTALLING GRILL TO CART: Remove drip tray, grill grates, flavor grids, and warming racks from the grill.

To remove side shelves (optional):

The side shelves on the cart can be removed if needed. This must be done before installing the grill on the cart. With the shelf in the up position, remove the screws in the shelf support bracket. This will allow you to remove both the brackets and the shelf.

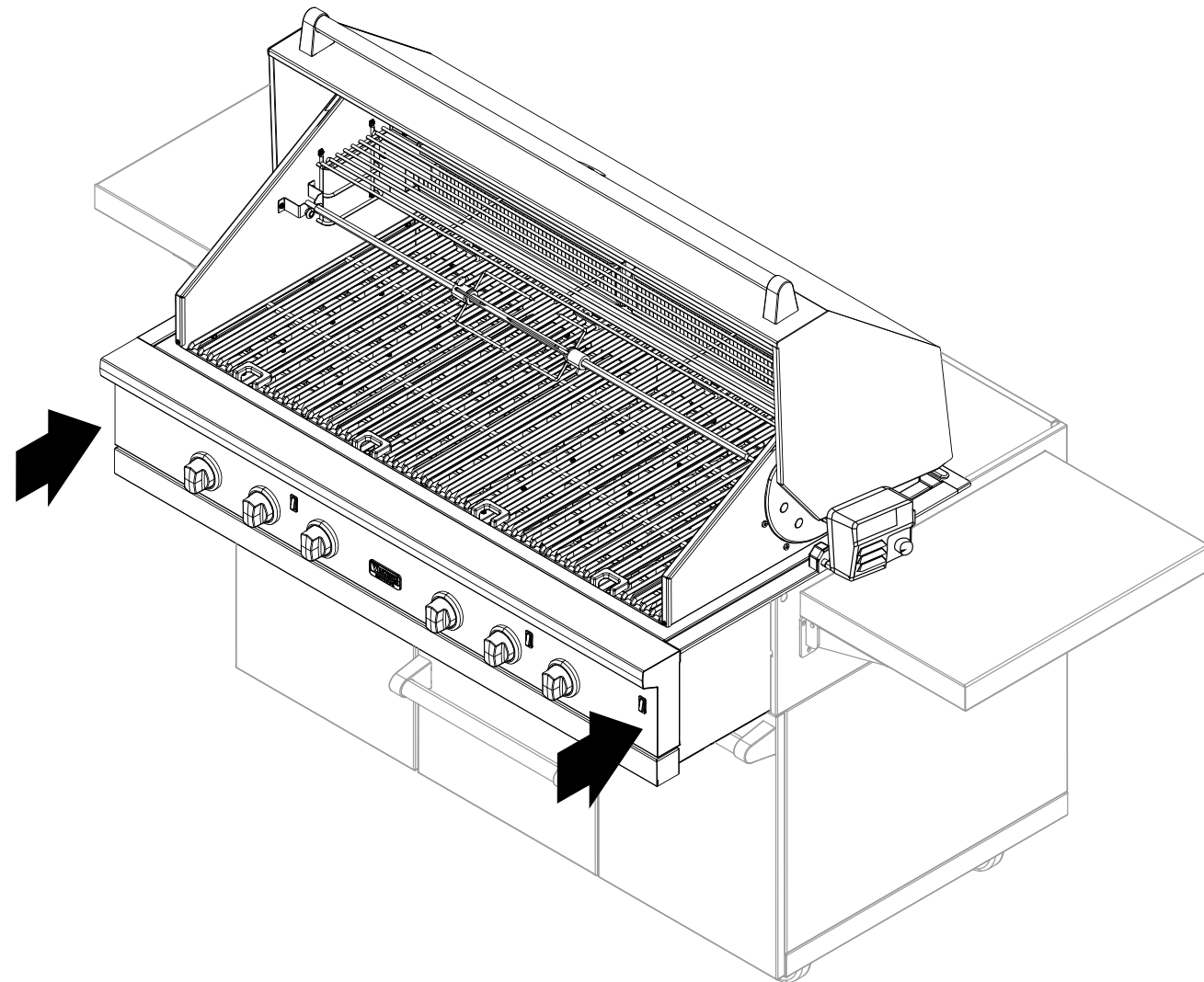
To mount grill to cart for 30" and 36":

Always wear gloves when handling the gas grill. Although the grill is deburred prior to shipment, some edges may still be sharp enough to cause injury during handling. With a minimum of two (2) people, place the grill in the cart with about 3 to 4 inches hanging out the front making sure that the male fitting on the bottom of the grill is inside the cart. Push the grill back until the front sides of the cart are flush with the back of the landing ledge on the grill.

Be careful: the grill unit is very heavy!

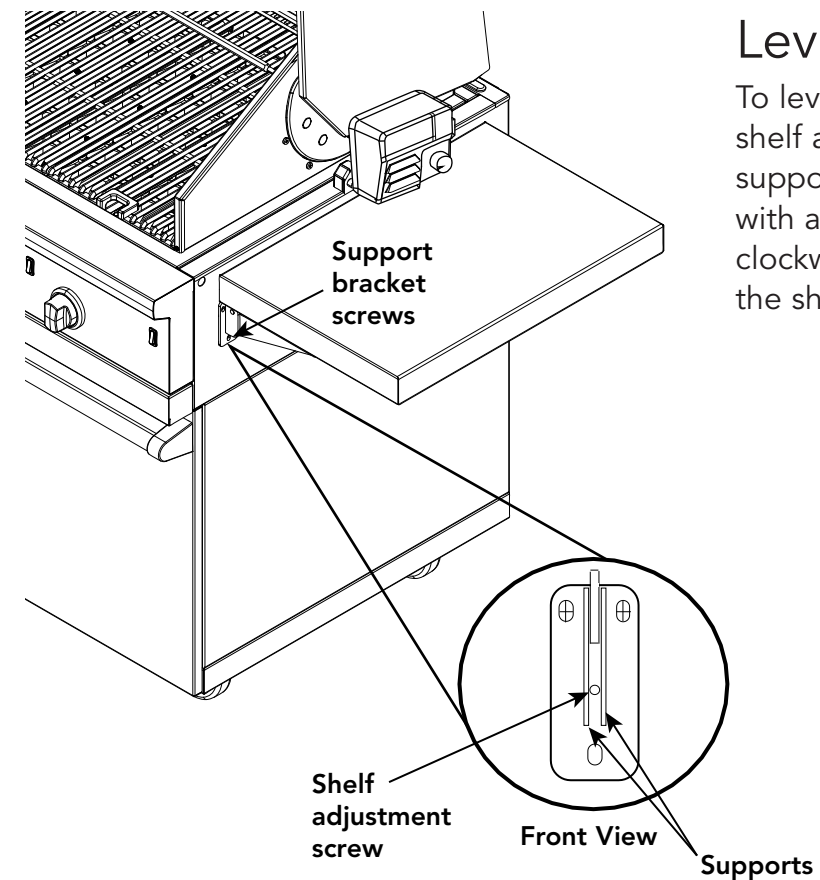
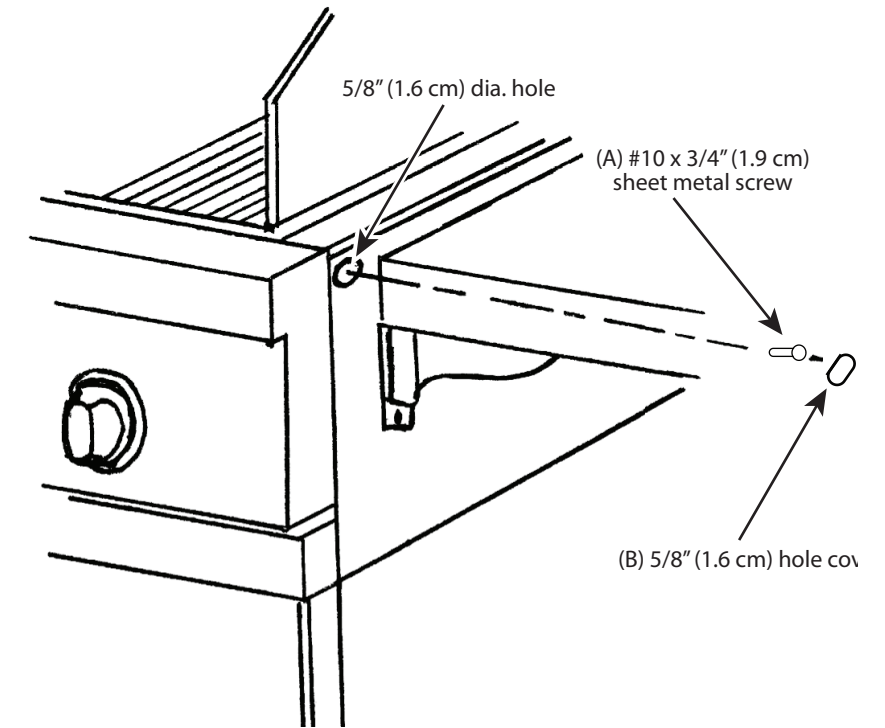
To mount grill to cart for 42" and 54":

With side panels removed from cart, place grill inside the cart and push the grill back until it hits the back wall. Slide on side panels from the rear to fit slots onto shoulder screws.



Attaching the grill to the cart

Once the grill has been mounted on the cart, the back of the landing ledge should be flush with the front sides of the cart. The 5/8" (1.6 cm) hole on the top front corners of the cart should be aligned with the receiving holes in the grill heat shields. If your grill does not have the receiving holes in the heat shield, you will need to drill them out with a 9/64" (.14 cm) drill bit. With the grill and cart mounted together, place the drill bit in the 5/8 hole and center in the 1/4"x3/8" slot. Drill through the heat shield. Take the #10X3/4" (1.9 cm) sheet metal screws (A) supplied with the cart and attach the cart sides to the grill. After securing the grill to the cart, snap the hole covers (B) supplied with the cart into the 5/8" (1.6 cm) holes in the cart corners.



Leveling the Side Shelves

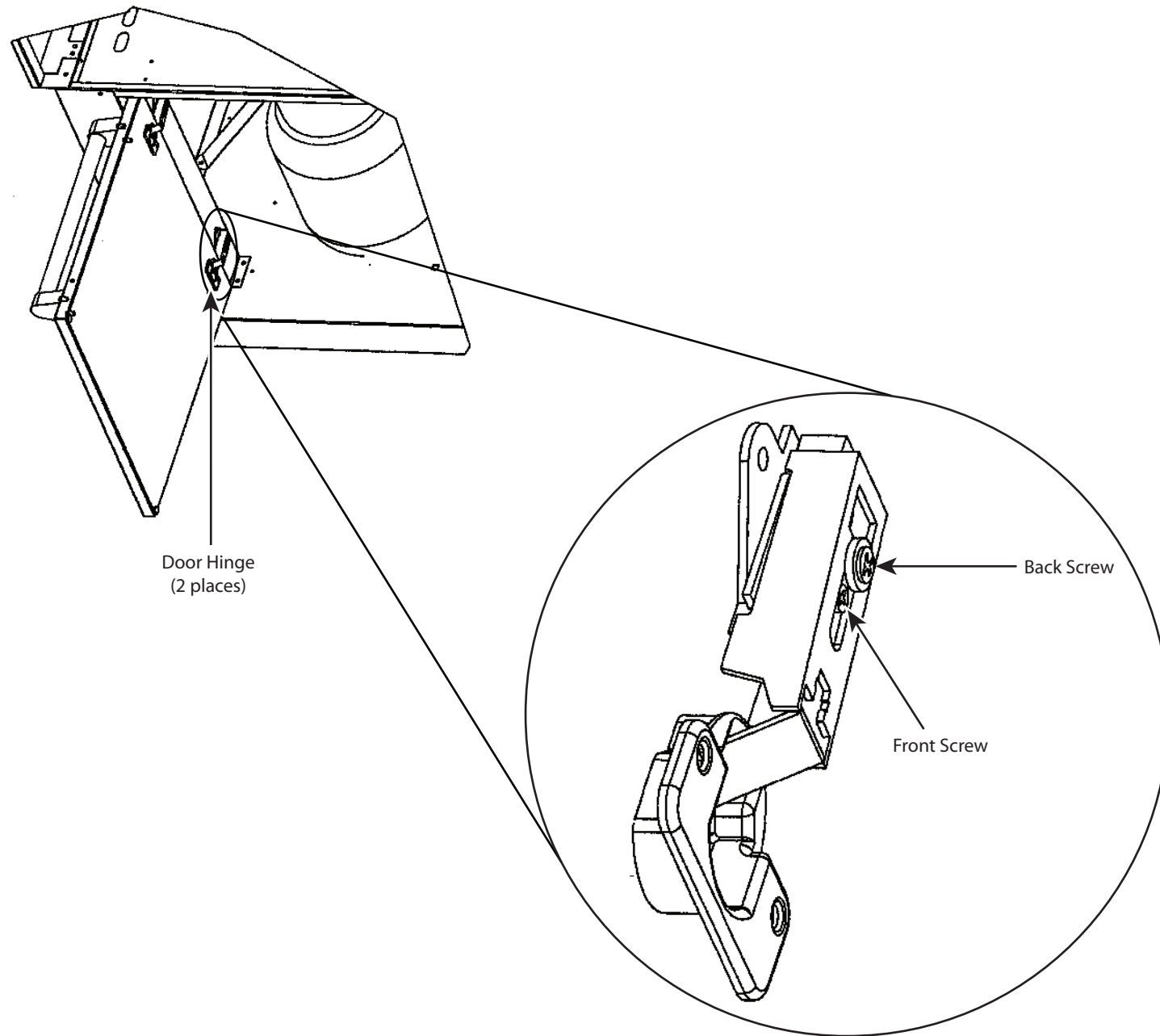
To level the side shelves, lift the shelf so that the shelf adjustment screw is visible between the two supports on the shelf brackets. Turn the screw with a 3/32" (.2 cm) allen wrench counter clockwise to raise the shelf and clockwise to lower the shelf (3/32" allen wrench supplied with cart).

Cart Door Adjustment

The cart doors come adjusted from the factory. Depending on how level the surface the cart is being placed on, the door(s) may need to be adjusted after the grill is assembled on the cart.

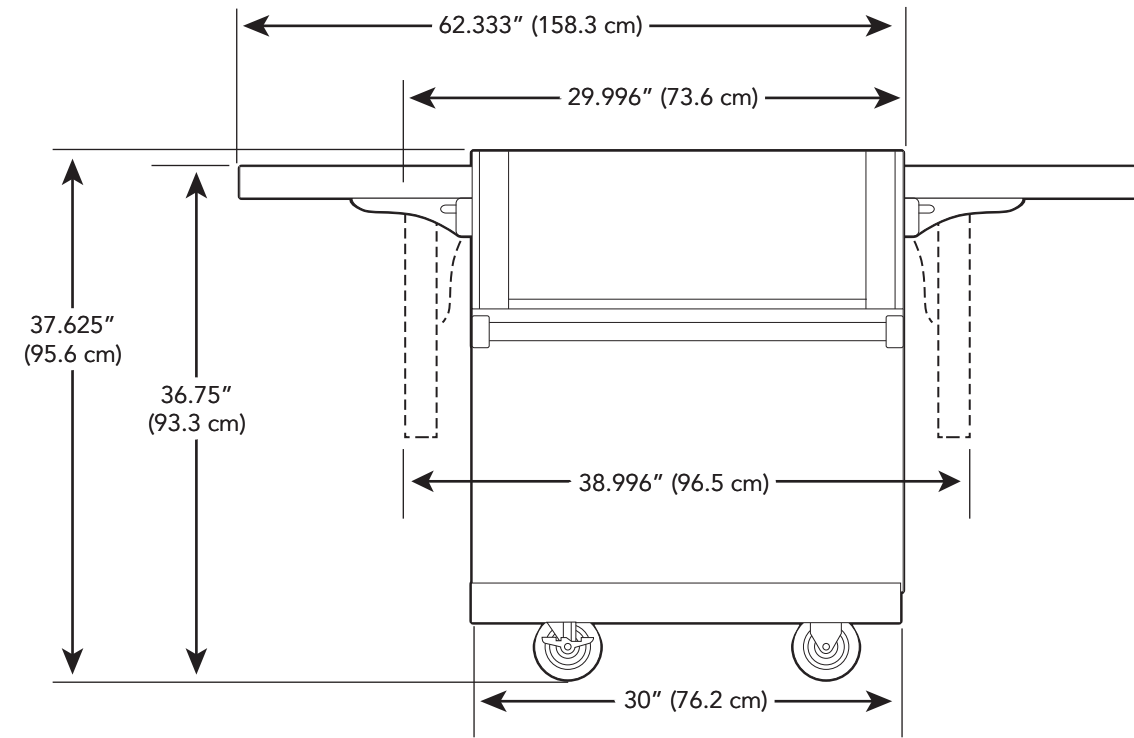
There are two adjustment screws on the hinge receiver.

- 1) The front screw is used to center the door in the opening. Turning the front screws in or out will center the door in the frame.
- 2) The back screw is used to align the front of the door with the cart frame and secure the door to the cart. Slightly loosen the screw and slide the door in or out. Retighten the screw to secure the door.

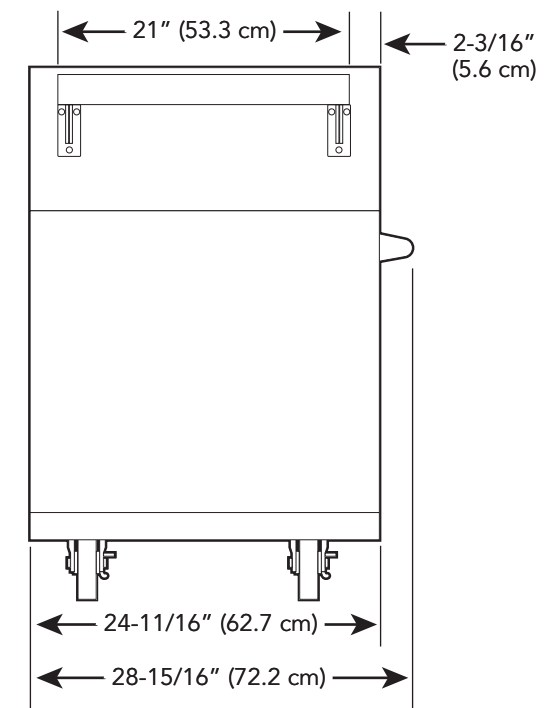


CART DIMENSIONS 5 Series

30" W. Cart – Front

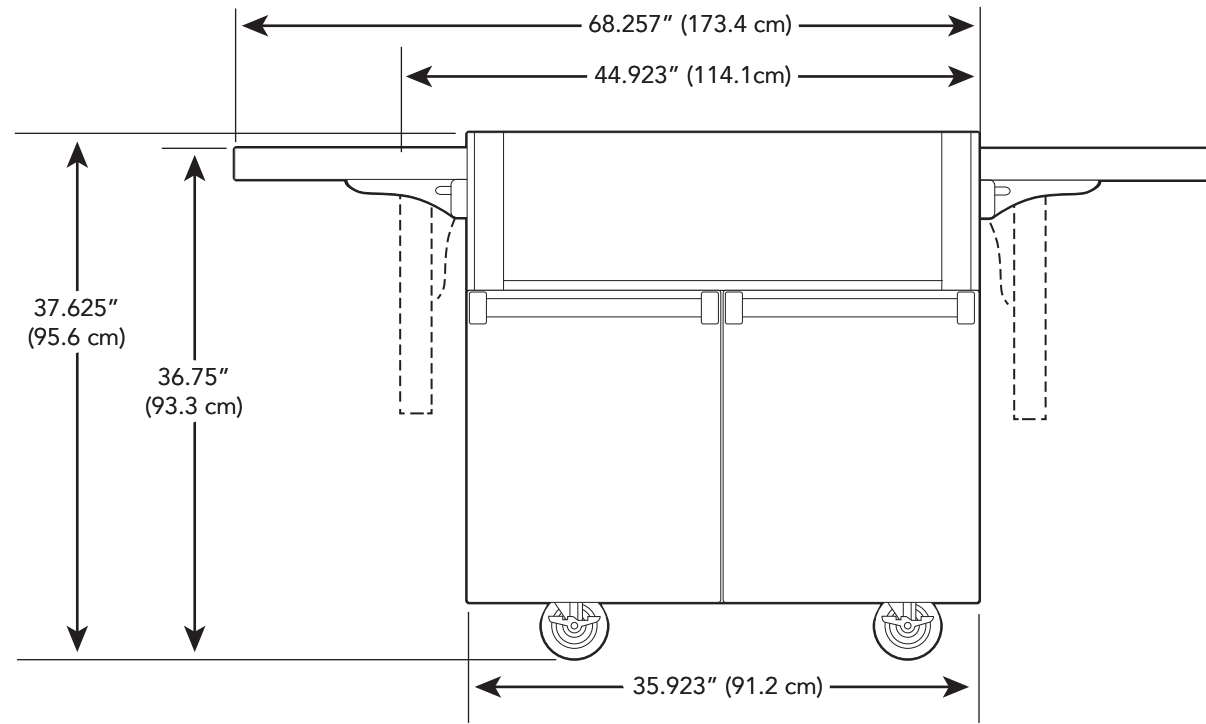


30" W. Cart – Side

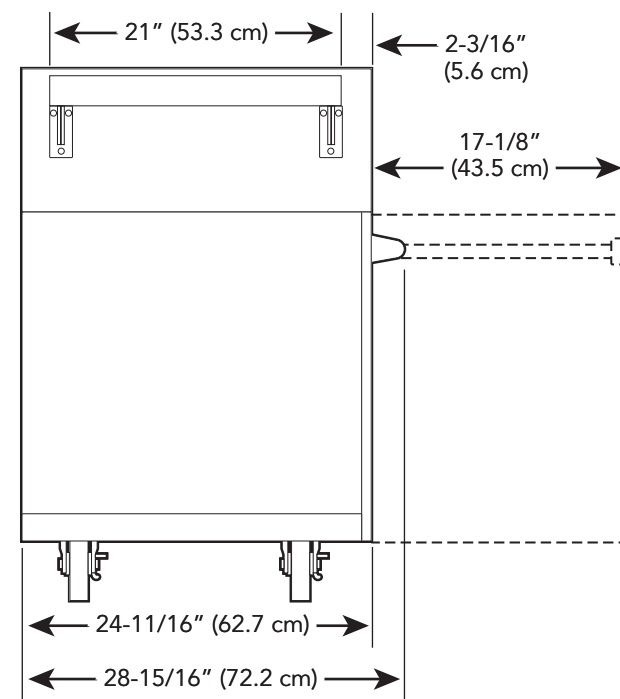


CART DIMENSIONS 5 Series

36" W. Cart – Front

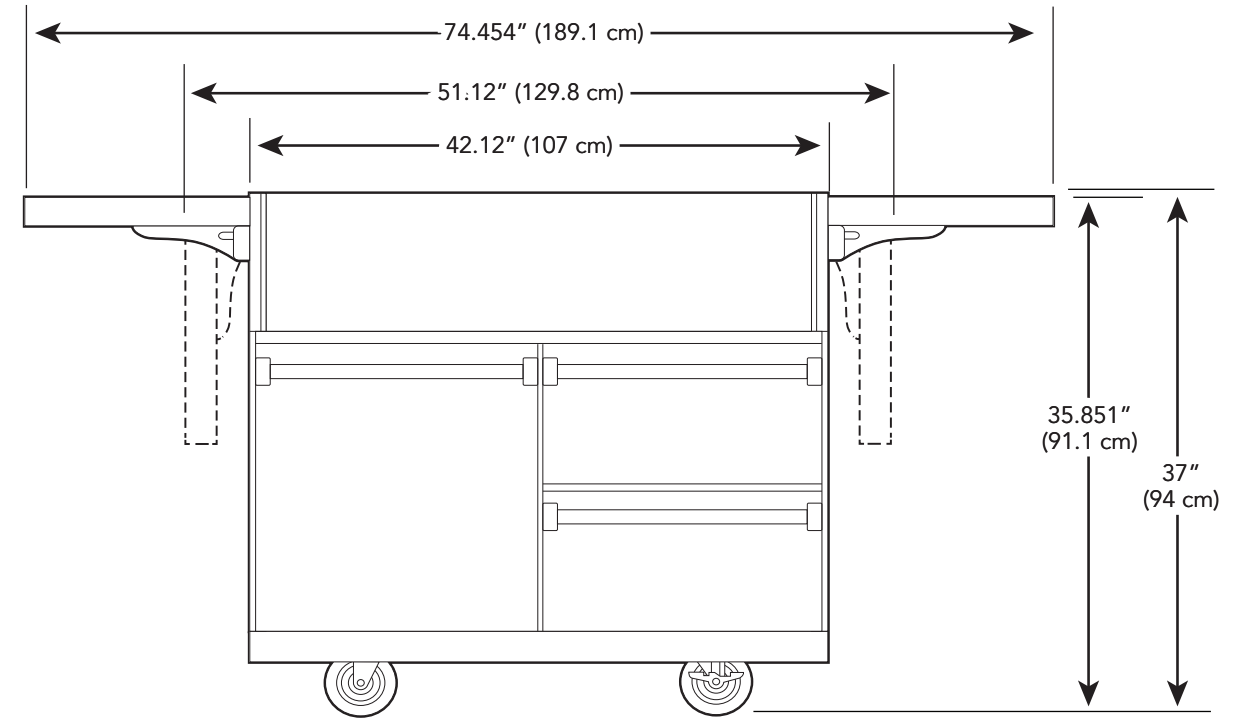


36" W. Cart – Side

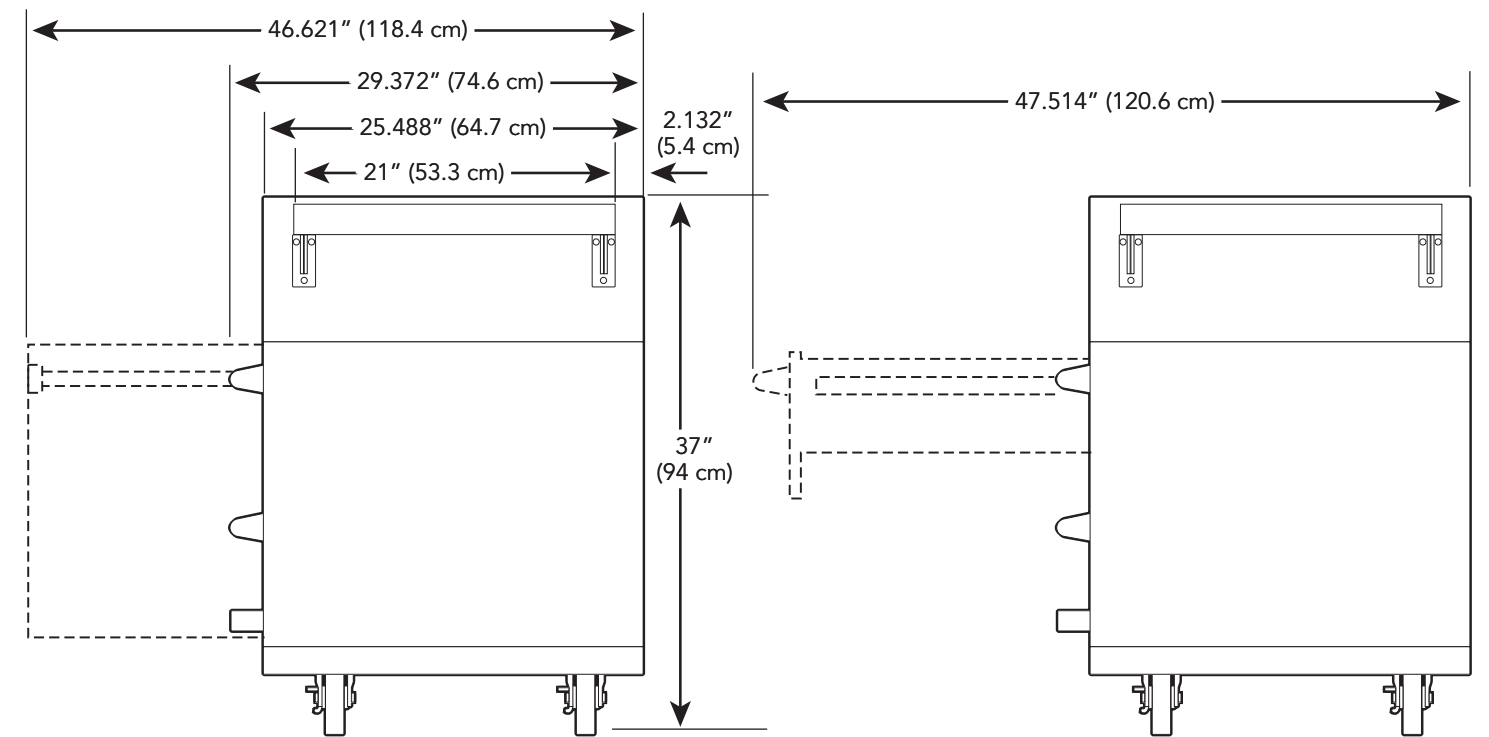


CART DIMENSIONS 5 Series

42" W. Cart – Front

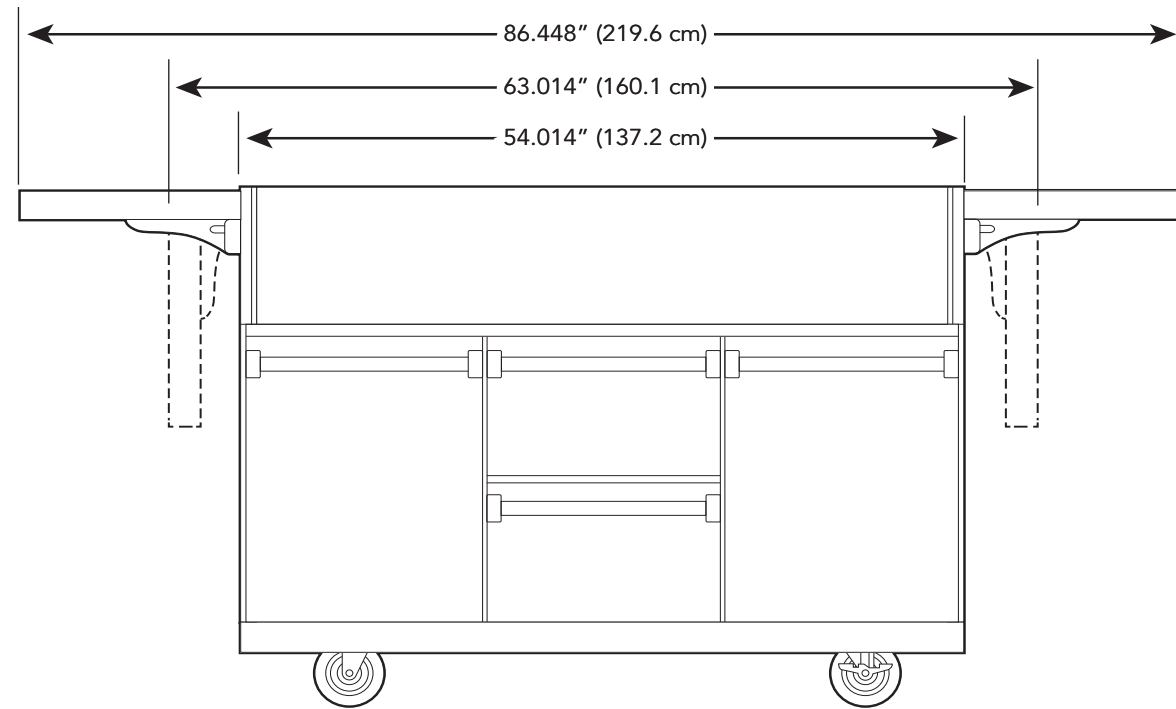


42" W. Cart – Side

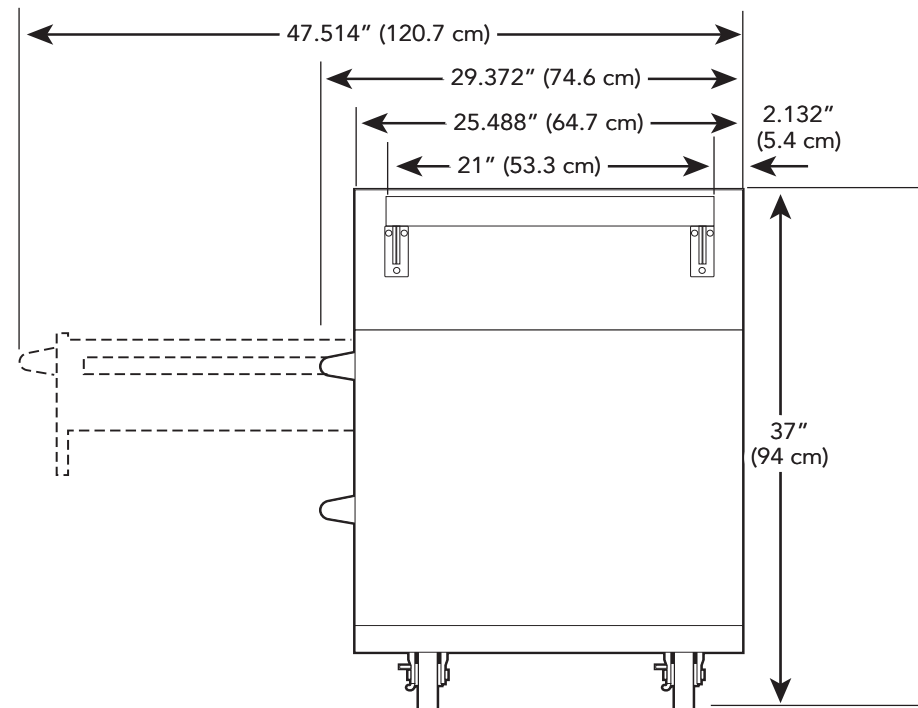


CART DIMENSIONS 5 Series

54" W. Cart – Front



54" W. Cart – Side



Service Information

If service is required, call your Viking dealer or authorized service agency. The name of the authorized service agency can be obtained from the dealer or distributor in your area.

When you make a service call, be sure to have the following information handy:

- Model Number
- Serial Number
- Date of Purchase
- Name of dealer from whom purchased

Be ready to clearly describe the problem that you are having with your Viking refrigerator.

If you are unable to obtain the name of an authorized service agency, or if you continue to have service problems, contact Viking Range, LLC at (888) 845-4641 or write to:

**VIKING RANGE, LLC
PREFERRED SERVICE
111 Front Street
Greenwood, Mississippi 38930 USA**

Record the following information indicated below. You will need it if service is ever required.

The serial number and model numbers for your grill is located underneath the pullout drip tray on the left hand side

Model No. _____ Serial No. _____

Date of Purchase _____ Date Installed _____

Dealer's Name _____

Address _____

If service requires installation of parts, use only authorized parts to insure protection under the warranty.

Keep this manual with your grill for future reference.

Warranty

PROFESSIONAL SERIES OUTDOOR GAS GRILL CART WARRANTY TWO YEAR FULL WARRANTY

Outdoor gas grill carts and all of their component parts, except as detailed below*, are warranted to be free from defective materials or workmanship in normal residential use for a period of two (2) years from the date of original retail purchase or closing date for new construction, whichever period is longer. Viking Range, LLC, warrantor, agrees to repair or replace, at its option, any part which fails or is found to be defective during the warranty period.

***FULL NINETY (90) DAY COSMETIC WARRANTY:** Decorative items are warranted to be free from defective materials or workmanship (such as scratches on stainless steel, etc.) for a period of ninety (90) days from the date of original retail purchase. ANY DEFECTS MUST BE REPORTED TO THE SELLING DEALER WITHIN NINETY (90) DAYS FROM DATE OF ORIGINAL RETAIL PURCHASE. Viking Range, LLC uses the most up-to-date processes and best materials available to produce all finishes. However, slight color variation may be noticed because of the inherent differences in lighting, product locations, and other factors. Therefore, this warranty does not apply to variations attributable to such factors.

***FULL NINETY (90) DAY WARRANTY IN "RESIDENTIAL PLUS" APPLICATIONS:** This full warranty applies to applications where use of the product extends beyond normal residential use, but the warranty period for products used in such applications is ninety (90) days. Examples of applications covered by this warranty are bed and breakfasts, fire stations, private clubs, churches, yachts, etc. Under this "Residential Plus" warranty, the product, its components and accessories are warranted to be free from defective material or workmanship for a period of ninety (90) days from the date of original retail purchase. This warranty excludes use of the product in all commercial locations such as restaurants, food service locations and institutional food service locations.

LIFETIME LIMITED WARRANTY

During the life of the product, any stainless steel parts found to be defective in material or workmanship will be repaired or replaced, free of charge for the part itself, with the owner paying all other costs, including labor. This warranty excludes surface corrosion or rust, scratches, discoloration, water or atmospheric conditions, or cleaning practices which are part of normal residential use.

This warranty extends to the original purchaser of the product warranted hereunder and to each transferee owner of the product during the term of the warranty.

TERMS AND CONDITIONS

This warranty extends to the original purchaser of the product warranted hereunder and to each transferee owner of the product during the term of the warranty and applies to products purchased and located in the United States and Canada. Products must be purchased in the country where service is requested. If the product or one of its component parts contains a defect or malfunction during the full warranty period after a reasonable number of attempts by the warrantor to remedy the defect or malfunction, the owner is entitled to either a refund or replacement of the product or its component part or parts. Replacement of a component part includes its free installation, except as specified under the limited warranty. Under the terms of this warranty, service must be performed by a factory authorized Viking Range, LLC service agent or representative. Service will be provided during normal business hours, and labor performed at overtime or premium rates shall not be covered by this warranty.

Owner shall be responsible for proper installation, providing reasonable and necessary maintenance, providing proof of purchase upon request, and making the appliance reasonably accessible for service. The return of the Owner Registration Card is not a condition of warranty coverage. You should, however, return the Owner Registration Card so that Viking Range, LLC can contact you should any question of safety arise which could affect you.

This warranty gives you specific legal rights, and you may also have other rights which may vary from jurisdiction to jurisdiction.

WHAT IS NOT COVERED BY THIS WARRANTY: This warranty shall not apply to damage resulting from abuse, failure to provide reasonable and necessary maintenance, accident, delivery, negligence, natural disaster, loss of electrical power to the product for any reason, alteration, outdoor use, improper installation, improper operation, or repair or service of the product by anyone other than an authorized Viking Range, LLC service agency or representative. This warranty does not apply to commercial usage.

LIMITATION OF REMEDIES AND DURATION OF IMPLIED WARRANTY

OWNER'S SOLE AND EXCLUSIVE REMEDY FOR A CLAIM OF ANY KIND WITH RESPECT TO THIS PRODUCT SHALL BE THE REMEDIES SET FORTH ABOVE. VIKING RANGE, LLC IS NOT RESPONSIBLE FOR CONSEQUENTIAL OR INCIDENTAL DAMAGE, INCLUDING BUT NOT LIMITED TO FOOD OR MEDICINE LOSS, DUE TO PRODUCT FAILURE, WHETHER ARISING OUT OF BREACH OF WARRANTY, BREACH OF CONTRACT OR OTHERWISE. Some jurisdictions do not allow the exclusion or limitation of incidental or consequential damages, so the above limitation or exclusions may not apply to you. **ANY IMPLIED WARRANTIES OF MERCHANTABILITY OR FITNESS FOR A PARTICULAR PURPOSE APPLICABLE TO THIS PRODUCT ARE LIMITED IN DURATION TO THE PERIOD OF COVERAGE OF THE APPLICABLE EXPRESS WRITTEN LIMITED WARRANTIES SET FORTH ABOVE.** Some states do not allow limitations on how long an implied warranty lasts, so the above limitation may not apply to you.

WARRANTY SERVICE

To obtain warranty service, contact an authorized Viking Range, LLC service agent, or Viking Range, LLC, 111 Front Street, Greenwood, Mississippi 38930, (888) 845-4641. Provide model and serial number and date of original purchase or closing date for a new construction. For the name of your nearest authorized Viking Range, LLC service agency, call Viking Range, LLC.

IMPORTANT: Retain proof of original purchase to establish warranty period.

Specifications subject to change without notice.