

WF15SS
ASSEMBLY INSTRUCTIONS
90" GARDENFALL

Inspection for Shipping damage—any damage from shipping should immediately be reported to Napoleon Customer Service or the store that it was purchased from. Do not attempt to operate if the unit is damaged.

Parts list

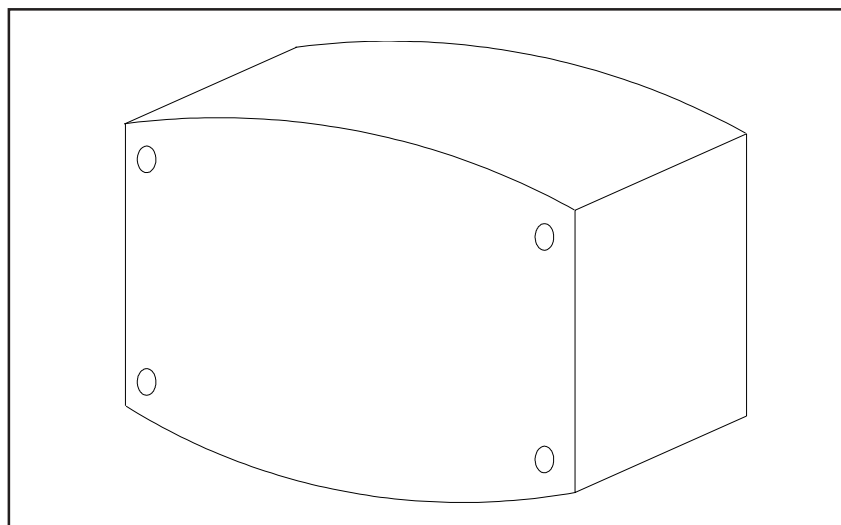
Light/bracket with transformer(1) Bag of river rocks (1)
Pump/filter valve assembly (1) Metal trays for rocks (2) for center mount
Cable clips (1)

Tools Required

Level
Pencil
Phillips head screwdriver

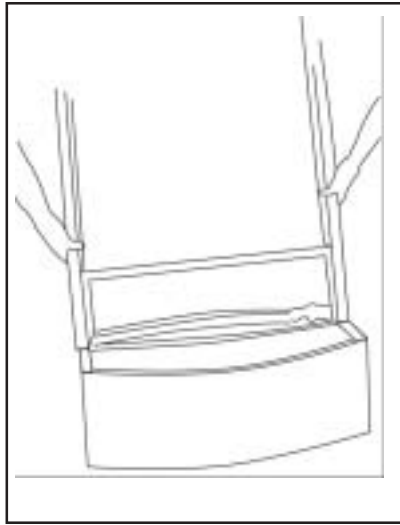
Assembly Instructions

1. Remove the Gardenfall panel and base from their shipping cartons.
2. Remove all the packing material from the base. This includes bag of river rocks, and pump filter/valve assembly.
3. Turning the base over peel adhesive protection from (4) foam cushions and apply approximately 1” from the four outside corners (Figure A).



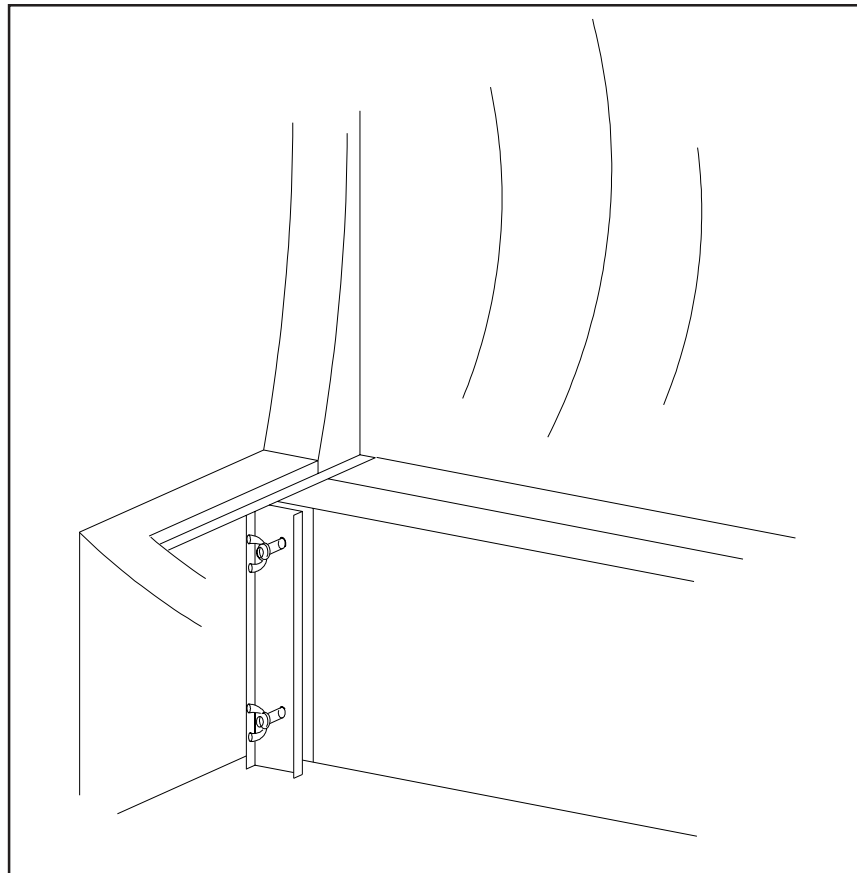
(Figure A)

4. Place the glass distribution panel into the base until it has been inserted completely. (see Figure B)



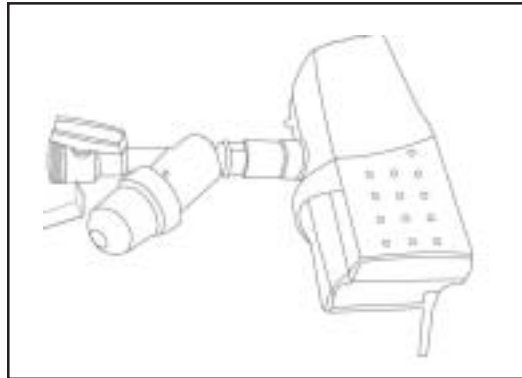
(Figure B)

5. Holding a level against the glass to level, tighten the (4) wing bolts to secure the glass panel assembly. (Figure C). (shim behind the glass frame as required to level)



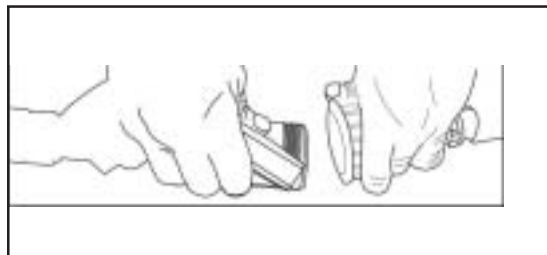
(Figure C)

6. Assemble the valve / filter with the pump housing and tighten until they are positioned as illustrated in (Figure D)

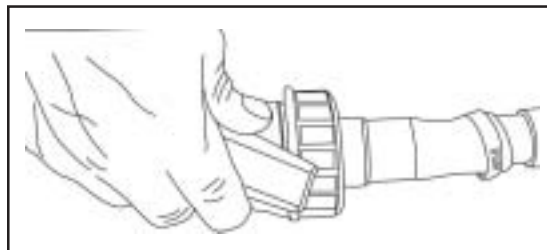


(Figure D)

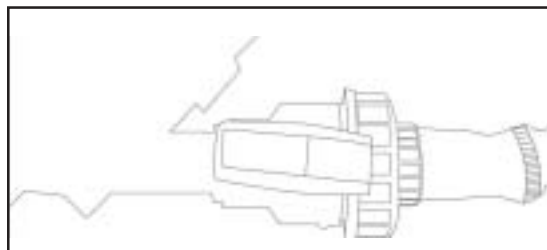
7. Line up the pump filter / valve assembly to the hose coming out of the panel as shown in (Figure E)
Screw the two connections together as shown in (Figure F). Adjust the valve to 90 degree see (Figure G).



(Figure E)

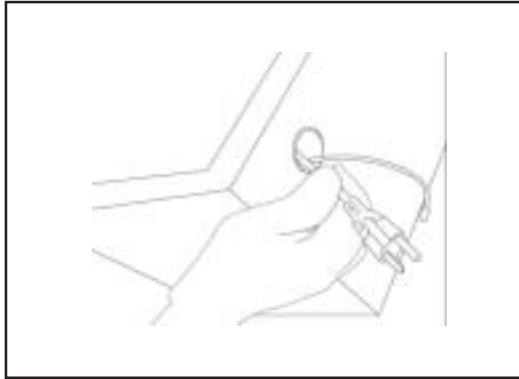


(Figure F)



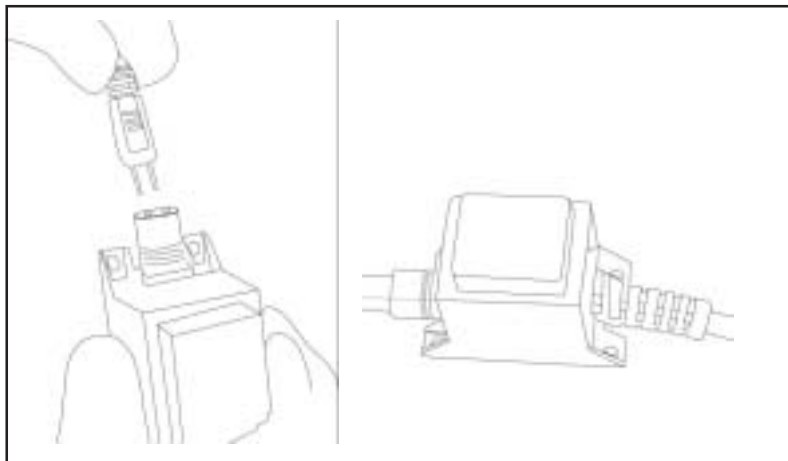
(Figure G)

8. Pull the cable cord and light cord through the hole, see (Figure H)



(Figure H)

9. Connect the transformer as shown, see (Figure I)



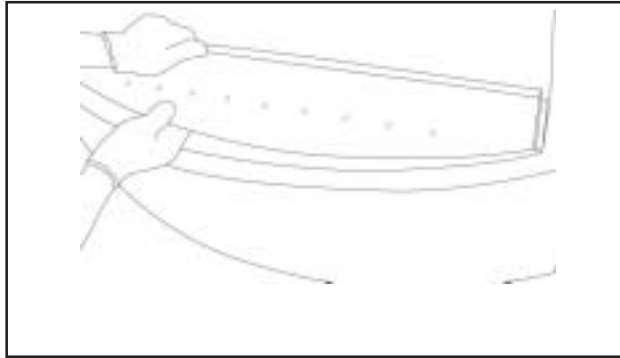
(Figure I)

10. Fill the reservoir with water. **Do not fill past the plug hole.**

NOTE: Too much water flow will cause dripping and splashing.

11. Plug light and pump cords into a GFI protected receptacle. **Tip:** Have each receptacle individually wired to a wall switch by a qualified installer. This will enable turning the waterfall light and pump on and off more conveniently.

12. Adjust the valve handle to establish the preferred rate of water flowing down the waterfall. By moving the handle towards alignment with the pipe water flow will increase. Moving the handle so that it crosses the pipe will close off the valve and slow the water flow.
13. Place the (2) rock trays into position as illustrated (Figure J) and fill with river rocks.



(Figure J)

14. Enjoy the Gardenfall Water Feature.

Note: If you have any questions or are experiencing any problems with the Gardenfall or water pump that you've just purchased, please contact Napoleon Customer Service before returning the product to the location where you purchased.

You can reach us at the following telephone numbers or by email at:

NAPOLEON APPLIANCE CORPORATION
214 BAYVIEW DRIVE, BARRIE, ONTARIO, L4N 4Y8
PHONE: 705-727-4258, TOLL FREE: 1-888-820-8686
FAX: 705-727-4282, TOLL FREE: 1-888-329-2220
EMAIL: care@nac.on.ca
WEB: www.napoleongrills.com