

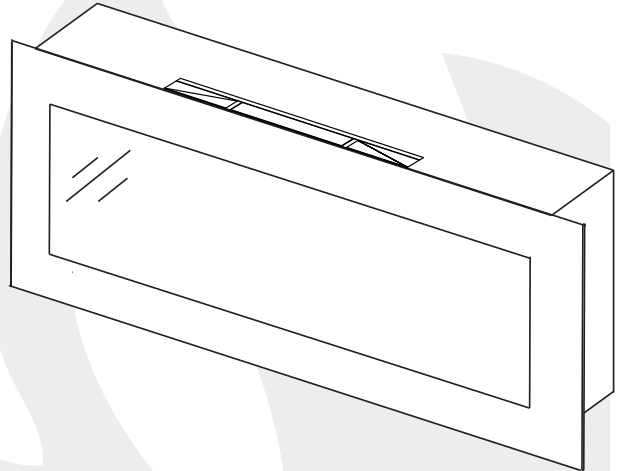
INSTALLER: LEAVE THIS MANUAL WITH THE APPLIANCE.  
CONSUMER: RETAIN THIS MANUAL FOR FUTURE REFERENCE.  
NEVER LEAVE CHILDREN OR OTHER AT RISK INDIVIDUALS ALONE WITH THE APPLIANCE.



# INSTALLATION AND OPERATING INSTRUCTIONS

CERTIFIED UNDER CANADIAN AND AMERICAN NATIONAL STANDARDS: CSA C22.2 No.12, CSA 22.2 No.250 / UL 153 and UL 1598

## EFL100 ELECTRIC FIREPLACE



**SAFETY INFORMATION**

**! WARNING**

If the information in these instructions are not followed exactly, a fire or explosion may result causing property damage, personal injury or loss of life.

- Do not store or use gasoline or other flammable vapors and liquids in the vicinity of this or any other appliance.

**! WARNING**

**HOT GLASS WILL CAUSE BURNS.**

**DO NOT TOUCH GLASS UNTIL COOLED.**

**NEVER ALLOW CHILDREN TO TOUCH GLASS.**



APPLY SERIAL NUMBER LABEL FROM CARTON

Serial No. XXXXXX000000

MODEL NO.

Wolf Steel Ltd., 24 Napoleon Rd., Barrie, ON, L4M 0G8 Canada /  
103 Miller Drive, Crittenden, Kentucky, USA, 41030  
Phone (705)721-1212 • Fax (705)722-6031 • [www.napoleonfireplaces.com](http://www.napoleonfireplaces.com) • [ask@napoleonproducts.com](mailto:ask@napoleonproducts.com)

\$10.00

1.16C

# TABLE OF CONTENTS

<b>1.0</b>	<b>INTRODUCTION</b>	<b>3</b>
1.1	DIMENSIONS	4
1.2	LISTING APPROVALS	4
1.3	GENERAL INSTRUCTIONS	5
<b>2.0</b>	<b>LOCATING APPLIANCE</b>	<b>6</b>
2.1	UNPACKING AND TESTING APPLIANCE	6
2.2	GROUNDING APPLIANCE	6
<b>3.0</b>	<b>INSTALLATION</b>	<b>7</b>
3.1	MINIMUM CLEARANCE TO COMBUSTIBLES AND MANTEL	7
3.2	INSTALLING THE APPLIANCE ON A WALL	8
3.3	RECESSING INSTALLATION	9
3.3.1	MINIMUM CLEARANCE TO COMBUSTIBLES	9
3.3.2	FRAMING	9
3.3.3	MOUNTING BRACKET INSTALLATION	10
<b>4.0</b>	<b>FINISHING</b>	<b>11</b>
4.1	GLASS EMBER INSTALLATION	11
4.2	GLASS FRONT INSTALLATION	11
<b>5.0</b>	<b>OPERATING INSTRUCTIONS</b>	<b>12</b>
5.1	OPERATING BY REMOTE CONTROL	12
<b>6.0</b>	<b>MAINTENANCE</b>	<b>12</b>
6.1	REMOTE BATTERY INSTALLATION	12
6.2	HARD WIRE INSTALLATION	13
<b>7.0</b>	<b>WIRING DIAGRAM</b>	<b>14</b>
<b>8.0</b>	<b>REPLACEMENT PARTS</b>	<b>15</b>
<b>9.0</b>	<b>TROUBLE SHOOTING</b>	<b>16</b>
<b>10.0</b>	<b>WARRANTY</b>	<b>17</b>
<b>11.0</b>	<b>SERVICE HISTORY</b>	<b>18</b>
<b>12.0</b>	<b>NOTES</b>	<b>19</b>

**NOTE:** Changes, other than editorial, are denoted by a vertical line in the margin.

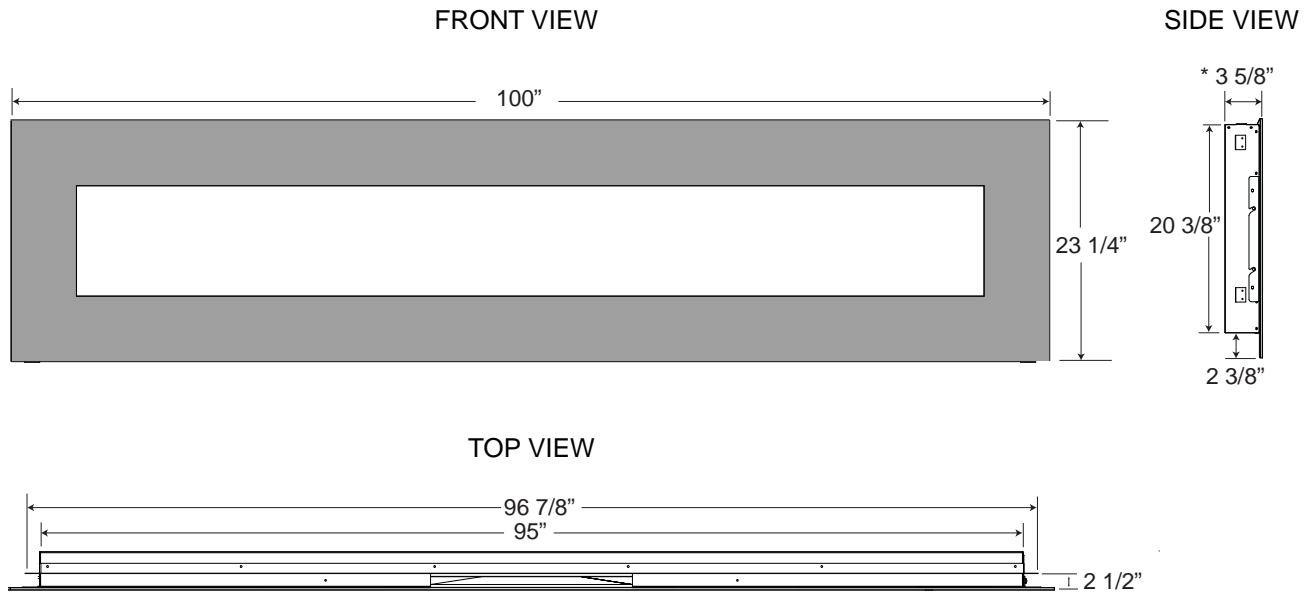
# 1.0 INTRODUCTION

## WARNING

- **THIS APPLIANCE IS HOT WHEN OPERATED AND CAN CAUSE SEVERE BURNS IF CONTACTED.**
- Do not operate appliance before reading and understanding operating instructions. Failure to operate appliance according to operating instructions could cause fire or injury.
- Risk of burns. Power to the appliance should be turned off and the appliance allowed to cool before servicing. To disconnect power to the appliance, turn controls to off, then remove plug from outlet.
- Do not install damaged, incomplete or substitute components.
- Do not burn wood or other materials in this appliance.
- Young children should be carefully supervised when they are in the same room as the appliance. Toddlers, young children and others may be susceptible to accidental contact burns. A physical barrier is recommended if there are at risk individuals in the house. To restrict access to an appliance or stove, install an adjustable safety gate to keep toddlers, young children and other at risk individuals out of the room and away from hot surfaces.
- Clothing or other flammable material should not be placed on or near the appliance.
- Due to high temperatures, the appliance should be located out of traffic and away from furniture and draperies.
- Ensure you have incorporated adequate safety measure to protect infants/toddlers from touching hot surfaces.
- Even after the appliance is out, the glass and/or screen will remain hot for an extended period of time.
- Check with your local hearth specialty dealer for safety screens and hearth guards to protect children from hot surfaces. These screens and guards must be fastened to the floor.
- Any safety screen or guard removed for servicing must be replaced prior to operating the appliance.
- It is imperative that the control compartments, circulating blower and its passageway in the appliance and are kept clean. The appliance should be inspected before use and at least annually by a qualified service person. More frequent cleaning may be required due to excessive lint from carpeting, bedding material, etc. The appliance area must be kept clear and free from combustible materials, gasoline and other flammable vapors and liquids.
- Under no circumstances should this appliance be modified.
- Do not use this appliance if any part has been under water. Immediately call a qualified service technician to inspect the appliance and to replace any part of the control system which has been under water.
- Do not operate the appliance with the glass door removed, cracked or broken. Replacement of the glass should be done by a licensed or qualified service person.
- Do not strike or slam shut the appliance glass door.
- Keep the packaging material out of reach of children and dispose of the material in a safe manner. As with all plastic bags, these are not toys and should be kept away from children and infants.
- Servicing should be done only while the appliance is disconnected from the power supply circuit.
- Always unplug appliance when not in use.
- Do not operate this appliance with a damaged cord or plug after the appliance malfunctions, has been dropped or damaged in any manner. Return appliance to authorized service facility for examination, electrical or mechanical adjustment, or repair.
- Do not use outdoors.
- Never locate appliance where it may fall into a bathtub or other water container.
- Do not run cord under carpeting. Do not cover cord with throw rugs, runners, or the like. Arrange cord away from traffic area and where it will not be tripped over.
- Connect to properly grounded outlets only.
- Do not insert or allow foreign objects to enter any ventilation or exhaust opening as this may cause an electric shock or fire, or damage the appliance.
- To prevent a possible fire, do not block air intakes or exhaust in any manner. Do not use on soft surfaces, like a carpet, where openings may become blocked.
- Always plug appliances directly into a wall outlet/receptacle. Never use an extension cord or relocatable power tap (outlet/power strip).
- Ensure clearances to combustibles are maintained when building a mantel or shelves above the appliance. Elevated temperatures on the wall or in the air above the appliance can cause melting, discolouration or damage to decorations, a T.V. or other electronic components.

3.7C

1.1 DIMENSIONS



1.2 LISTING APPROVALS

This appliance has been tested in accordance with the CSA and UL Standards for fixed and location-dedicated electric room appliances in the United States and Canada. If you need assistance during installation, please contact your local dealer.

**NOTE:** This appliance must be electrically wired and grounded in accordance with local codes. In the absence of local codes, use the current CSA C22.1 Canadian Electrical Code in Canada or the ANSI/NFPA 70 National Electrical Code in the United States.

<b>Model Number</b>	EFL100
<b>Description</b>	Wall Mount or Recessed
<b>Voltage</b>	120V AC / 60HZ
<b>Watts</b>	MAX 68W
<b>Amps</b>	15 AMP Grounded Circuit
<b>Weight</b>	147 Lbs

\* EXCLUDES GLASS THICKNESS

## 1.3 GENERAL INSTRUCTIONS

<b>! WARNING</b>
<b>READ THESE INSTRUCTIONS COMPLETELY BEFORE BEGINNING INSTALLATION. FAILURE TO FOLLOW THEM COULD CAUSE AN APPLIANCE MALFUNCTION RESULTING IN SERIOUS INJURY AND/OR PROPERTY DAMAGE.</b>
<b>ALL ELECTRIC APPLIANCES HAVE HOT AND ARCING OR SPARKING PARTS INSIDE. DO NOT USE IT IN AREAS WHERE GASOLINE, PAINT OR FLAMMABLE LIQUIDS ARE PRESENT.</b>
<b>THIS ELECTRIC APPLIANCE IS TESTED AND LISTED FOR USE ONLY WITH THE OPTIONAL ACCESSORIES LISTED IN THESE INSTRUCTIONS. USE OF OPTIONAL ACCESSORIES NOT SPECIFICALLY TESTED FOR THIS ELECTRIC APPLIANCE COULD VOID THE WARRANTY AND/OR RESULT IN A SAFETY HAZARD.</b>
<b>DO NOT OPEN. RISK OF ELECTRIC SHOCK. NO USER-SERVICEABLE PARTS INSIDE.</b>
<b>DO NOT USE DAMAGED ELECTRICAL CORDS.</b>
<b>SERVICING SHOULD BE DONE ONLY WHILE THE APPLIANCE IS DISCONNECTED FROM THE POWER SUPPLY CIRCUIT.</b>
<b>HIGH TEMPERATURE, RISK OF FIRE. KEEP ELECTRICAL CORDS, DRAPERY, FURNISHINGS, AND OTHER COMBUSTIBLES AT LEAST 3 FEET (0.9M) FROM THE FRONT OF THE APPLIANCE AND AWAY FROM SIDES AND REAR.</b>
<b>TO PREVENT ELECTRIC SHOCK MATCH THE WIDE BLADE OF PLUG TO WIDE SLOT OF RECEPTACLE AND FULLY INSERT.</b>

- A. Prior to plugging your appliance into an electrical outlet, verify that the house circuit breakers for the outlet are on.
- B. The appliance may emit a slight, harmless odour when first used. This odour is normal and it is caused by the initial heating of internal appliance elements and will not occur again.
- C. If your appliance does not emit heat, consult the operation section of this manual for further information.
- D. Use with a CSA or UL certified surge protector.

This electric appliance meets the construction and safety standards of H.U.D. for application in manufactured homes when installed according to these instructions.

## 2.0 LOCATING APPLIANCE

<b>! WARNING</b>
<b>DUE TO HIGH TEMPERATURES, THIS ELECTRIC APPLIANCE SHOULD BE LOCATED OUT OF TRAFFIC. KEEP COMBUSTIBLE MATERIALS SUCH AS FURNITURE, PILLOWS, BEDDING, PAPERS, CLOTHES AND CURTAINS AT LEAST 36" FROM THE FRONT OF THE APPLIANCE.</b>
<b>NEVER LOCATE THIS ELECTRIC APPLIANCE WHERE IT MAY FALL INTO A BATHTUB OR OTHER WATER CONTAINER.</b>
<b>WEAR SAFETY GLOVES AND SAFETY GLASSES FOR PROTECTION DURING INSTALLATION AND MAINTENANCE.</b>
<b>TO PREVENT CONTACT WITH SAGGING OR LOOSE INSULATION, THE ELECTRIC APPLIANCE MUST NOT BE INSTALLED AGAINST VAPOR BARRIER OR EXPOSED INSULATION. LOCALIZED OVERHEATING COULD OCCUR AND A FIRE COULD RESULT.</b>
<b>DO NOT EXPOSE THE ELECTRIC APPLIANCE TO THE ELEMENTS (SUCH AS RAIN, ETC.)</b>

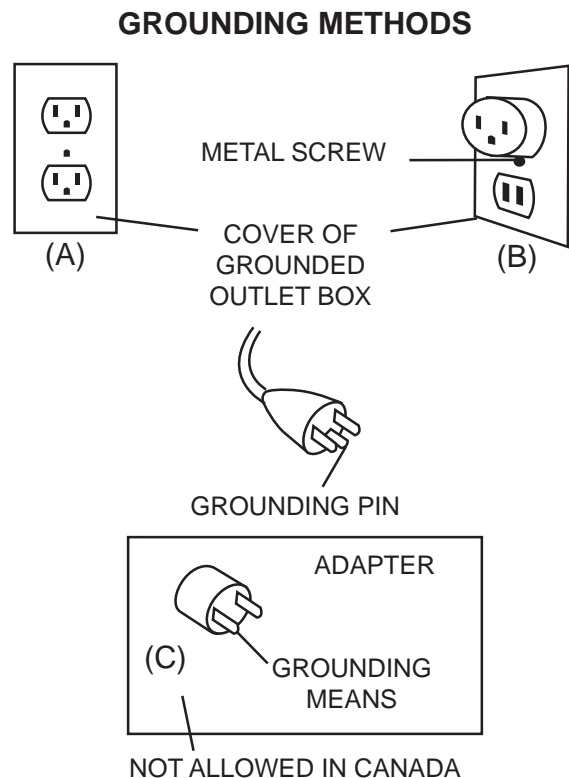
### 2.1 UNPACKING AND TESTING APPLIANCE

Carefully remove the appliance from the box. Prior to installing the appliance, test to make sure the appliance operates properly by plugging the power supply cord into a conveniently located 120 Volt grounded outlet.

### 2.2 GROUNDING APPLIANCE

This appliance is for use on 120 Volts. The cord has a plug as shown in (A). An adapter as shown in (C) is available for connecting three-blade grounding type plugs to two-slot receptacles. The green grounding lug extending from the adapter must be connected to a permanent ground such as a properly grounded outlet box. The adapter should not be used if a three-slot grounded receptacle is available.

To disconnect appliance, turn controls to off, then remove plug from outlet.



## 3.0 INSTALLATION

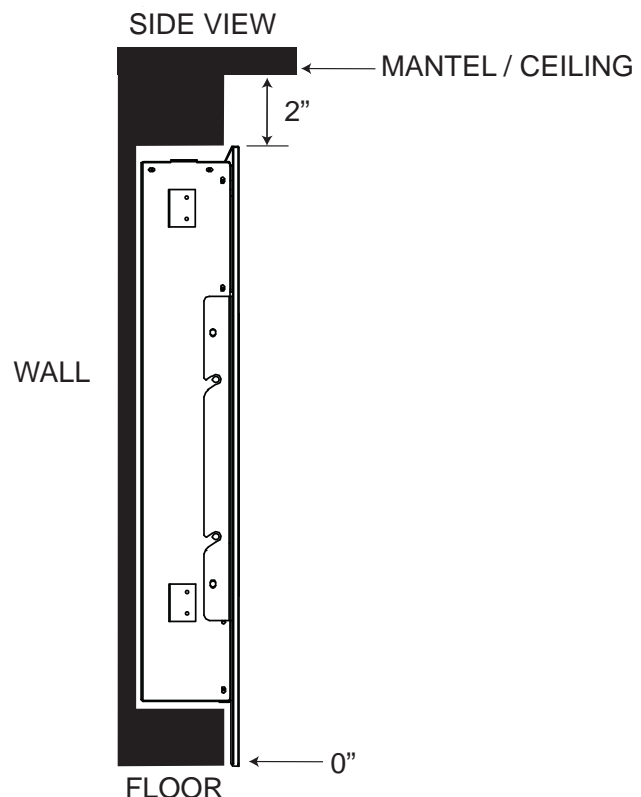
<b>! WARNING</b>
<b>RISK OF FIRE! THE POWER CORD MUST NOT BE PINCHED AGAINST A SHARP EDGE. SECURE CORD TO AVOID TRIPPING OR SNAGGING TO REDUCE THE RISK OF FIRE, ELECTRIC SHOCK OR PERSONAL INJURY. DO NOT RUN CORD UNDER CARPETING. DO NOT COVER CORD WITH THROW RUGS, RUNNERS OR THE LIKE. ARRANGE CORD AWAY FROM TRAFFIC AREAS AND WHERE IT WILL NOT BE TRIPPED OVER.</b>
<b>RISK OF FIRE! TO PREVENT A POSSIBLE FIRE, DO NOT BLOCK AIR INTAKE OR EXHAUST IN ANY MANNER. DO NOT USE ON SOFT SURFACES WHERE OPENINGS MAY BECOME BLOCKED.</b>
<b>RISK OF FIRE! DO NOT BLOW OR PLACE INSULATION AGAINST THE APPLIANCE.</b>
<b>THIS ELECTRIC APPLIANCE IS TESTED AND LISTED FOR USE ONLY WITH THE APPROVED OPTIONAL ACCESSORIES. USE OF OPTIONAL ACCESSORIES NOT SPECIFICALLY TESTED FOR THIS ELECTRIC APPLIANCE COULD VOID THE WARRANTY AND/OR RESULT IN A SAFETY HAZARD.</b>
<b>IF THE INFORMATION IN THESE INSTRUCTIONS IS NOT FOLLOWED EXACTLY, A FIRE OR EXPLOSION MAY RESULT CAUSING PROPERTY DAMAGE, PERSONAL INJURY OR DEATH. DO NOT STORE OR USE GASOLINE OR OTHER FLAMMABLE VAPORS IN THE VICINITY OF THIS OR ANY OTHER APPLIANCE.</b>
<b>THIS APPLIANCE IS HEAVY. IT IS HIGHLY RECOMMENDED THAT TWO, OR MORE PEOPLE INSTALL THIS APPLIANCE.</b>
<b>HEATER VENTS ON THE ELECTRIC APPLIANCE CANNOT, IN ANY WAY, BE COVERED AS IT WILL CREATE A FIRE HAZARD.</b>

### 3.1 MINIMUM CLEARANCE TO COMBUSTIBLES AND MANTEL

<b>! WARNING</b>
<b>WHEN USING PAINT OR LACQUER TO FINISH THE MANTEL, THE PAINT OR LACQUER MUST BE HEAT RESISTANT TO PREVENT DISCOLOURATION.</b>

<b>Measurements are taken from the glass front.</b>	
<b>Bottom</b>	<b>0"</b>
<b>Sides</b>	<b>0"</b>
<b>Back</b>	<b>0"</b>
<b>Top</b>	<b>2" to ceiling</b>

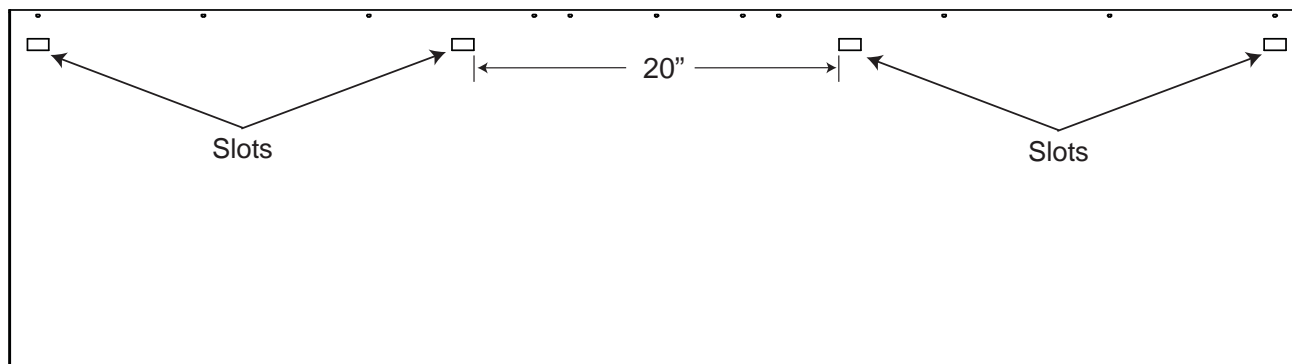
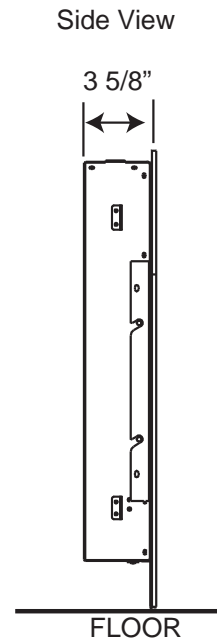
**NOTE:** When installing the appliance allow for a 2" minimum between the top of the appliance and a mantel, or ceiling to allow for the removal of the glass.



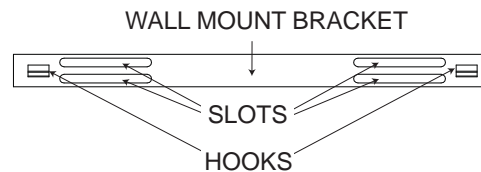
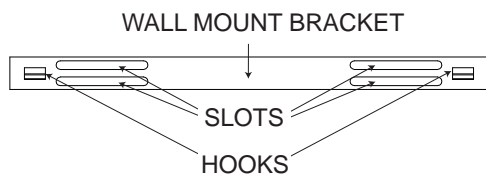
### 3.2 INSTALLING THE APPLIANCE ON A WALL

Due to the many different finish materials used on walls, it is highly recommended that you consult your local builder before you install this appliance on the wall.

- A. Select a location that is not prone to moisture and is located at least 36" away from combustible materials such as curtain drapes, furniture, bedding, paper, etc.
- B. Have two, or more people hold the appliance against the wall to determine the final location.
- C. Then, using the template, mark the center of the hole for both mounting brackets on the finish wall. These brackets **MUST** have the hooks facing upward and be level.
- D. Install the anchors and screws supplied. Do not tighten the screws completely as the head of the screw must engage with the mounting bracket. **NOTE: It is strongly recommended that the screws be screwed into the wall studs where possible. If the wall studs cannot be used, ensure that the supplied plastic anchors are used.**
- E. With the screws installed have two, or more people lift the appliance up and insert the hooks into the slots on the back of the appliance.
- F. Check the appliance for stability ensuring that the appliance will not pull free from the wall.



Back View





### 3.3 RECESSING INSTALLATION

Due to the many different finish materials used on walls, it is highly recommended that you consult your local builder before you install this appliance in the wall.

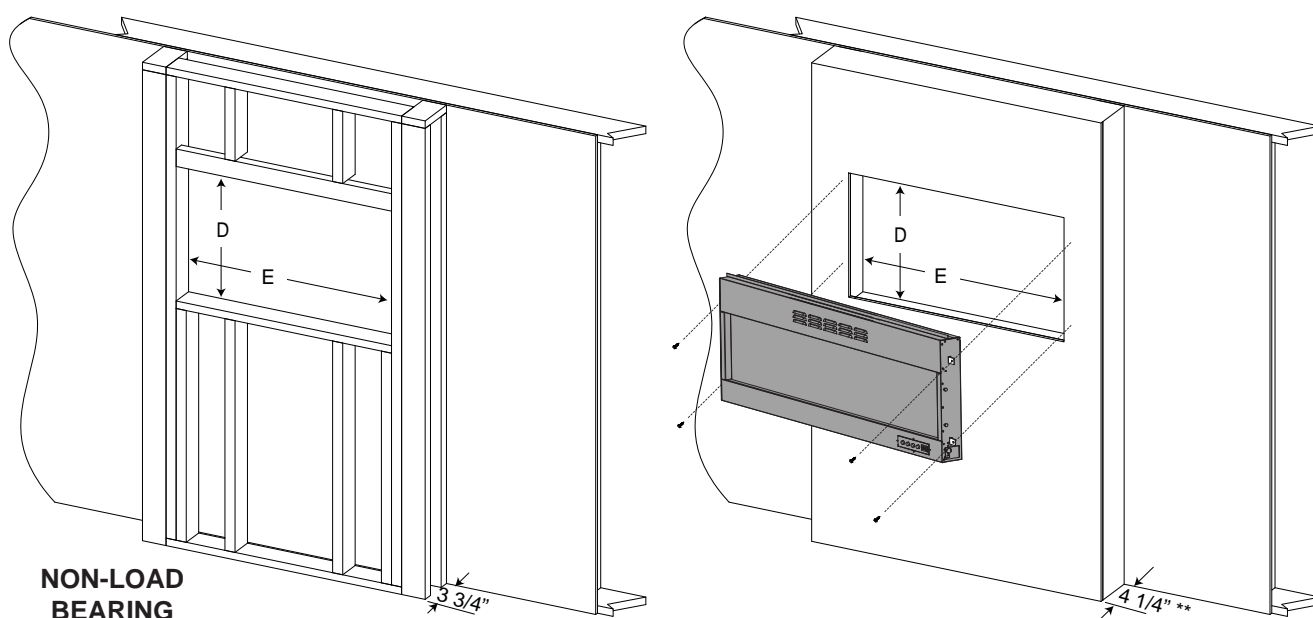
Select a location that is not prone to moisture and is located at least 36" away from combustible materials such as curtain drapes, furniture, bedding, paper etc.

#### 3.3.1 MINIMUM CLEARANCE TO COMBUSTIBLES

Measurements are taken from the body.	
Sides, back and top	0"

#### 3.3.2 FRAMING

Finishing Material



D*	21"
E*	95"

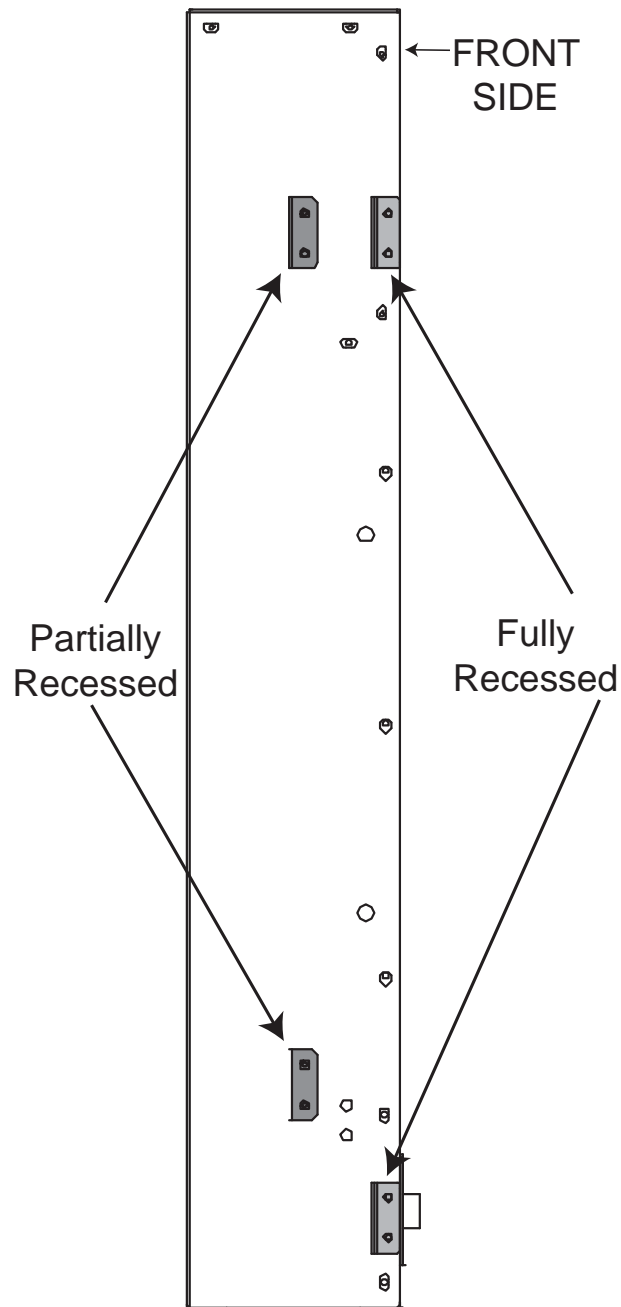
- A. Once the rough opening has been prepared, and the power has been routed to the right side of the recess, the appliance may be installed.
- B. Lift the appliance up to the opening.
- C. The hardwiring and electrical connection must be made prior to sliding the appliance into place.
- D. Level the appliance and secure it to the wall using the brackets provided, refer to the "MOUNTING BRACKET INSTALLATION" section.

**\* NOTE:** In order to avoid the possibility of exposed insulation or vapour barrier coming in contact with the appliance body, it is recommended that the walls of the appliance enclosure be "finished" (i.e. drywall/sheetrock), as you would finish any other outside wall of a home. This will ensure that clearance to combustibles is maintained within the cavity. Framing dimensions will need to be adjusted to account for the enclosure finishing material thickness.

\*\* With a 1/2" thick finishing material.

### 3.3.3 MOUNTING BRACKET INSTALLATION

- A. Remove the glass front, refer to "GLASS FRONT INSTALLATION" section for removal instructions.
- B. Prior to installing the mounting brackets determine if you will be fully or partially recessing the appliance.
- C. Secure two mounting brackets to each side of the appliance use the appropriate holes, as illustrated below. Using the 8 screws provided to secure the mounting brackets to the appliance.
- D. Level the appliance and secure the brackets to wall using the 4 screws provided.



## 4.0 FINISHING

<b>! WARNING</b>
<b>POWER SUPPLY SERVICE MUST BE COMPLETED PRIOR TO FINISHING TO AVOID RECONSTRUCTION.</b>
<b>HEAT VENTS AND AIR OPENINGS CANNOT BE COVERED IN ANY CIRCUMSTANCES.</b>

### 4.1 GLASS EMBER INSTALLATION

**NOTE:** Glass front must be removed and the appliance must be mounted in its final location before the glass embers are installed.

Glass embers may have sharp edges, wear safety glasses and gloves when handling.

- A. **CLEAN GLASS MEDIA:** Glass media may have a fine oil residue that needs to be cleaned prior to installation. Clean the glass with mild dish soap, drain, rinse thoroughly and dry before placing into the tray.
- B. Carefully place glass embers into the bottom tray on the front of the appliance as illustrated. Apply an even layer from side to side.

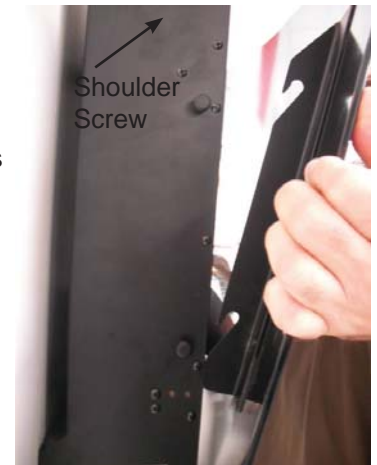


**NOTE:** It is not necessary to use all of the glass media supplied.

### 4.2 GLASS FRONT INSTALLATION

It is necessary that two people install this glass front onto the appliance, Wear safety glasses and gloves when handling glass. Take care when handling the glass ensure not to damage, or chip the glass.

- A. Line up the brackets on the back of the glass with the 4 shoulder screws on the side of the appliance body.
- B. Slide the glass in and downwards, ensuring the bracket has engaged to the shoulder screw prior to releasing the glass.
- C. For glass front removal reverse these steps.




## 5.0 OPERATING INSTRUCTIONS

Once the appliance has been plugged in to a grounded electrical outlet, it is ready to operate.

**NOTE:** Ensure the house circuit breakers for the power supply are turned on. In the event of a power failure, the flame will turn on indicating that the power has been restored.

### 5.1 OPERATING BY REMOTE CONTROL

**NOTE:** Make certain the batteries are installed correctly, for installation instructions review "REMOTE BATTERY INSTALLATION" section.

- A. When operating the remote control, it must be directed towards the front center of the appliance.
- B. The power button can be used to power up or down the appliance. Pressing this button  activates the power to the appliance.
- C. To turn off the appliance, press the power button once.

**NOTE:** This remote control must remain within 8 meters or 26 feet of the appliance to be effective.



## 6.0 MAINTENANCE

### ! WARNING

#### PREPARATION FOR MAINTENANCE

**ALWAYS DISCONNECT THE POWER AND ALLOW THE ELECTRIC APPLIANCE TO COOL BEFORE PERFORMING ANY CLEANING, MAINTENANCE OR RELOCATION OF THIS ELECTRIC APPLIANCE. TURN CONTROLS TO OFF AND REMOVE PLUG FROM OUTLET OR TURN OFF THE HOUSE CIRCUIT BREAKER TO ELECTRIC APPLIANCE RECEPTACLE.**

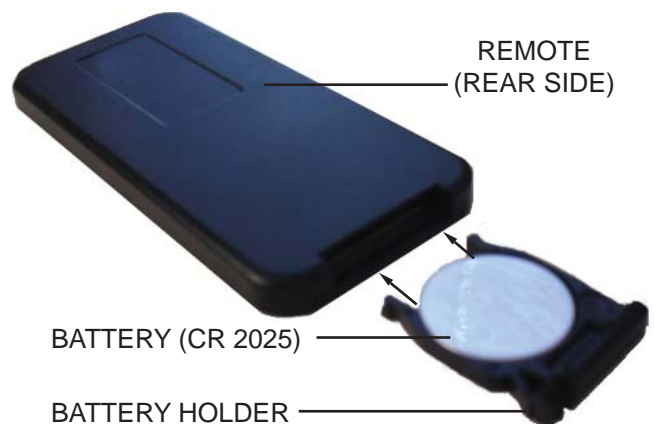
**DO NOT INSTALL REPLACEMENT LAMPS THAT EXCEED SPECIFIED MAXIMUM WATTS.**

**THE HALOGEN LAMPS IN YOUR APPLIANCE CAN BECOME EXTREMELY HOT. ALLOW AT LEAST 10 MINUTES BETWEEN TURNING OFF THE APPLIANCE AND REMOVING THE LAMPS TO AVOID ACCIDENTAL BURNS.**

**DO NOT HANDLE THE LAMP WITH BARE FINGERS, OILS FROM YOUR SKIN WILL DAMAGE THE LAMPS WHEN THEY HEAT UP. USE GLOVES OR A CLEAN DRY CLOTH WHEN HANDLING LAMPS.**

### 6.1 REMOTE BATTERY INSTALLATION

- To replace the existing battery remove the battery holder.
- To remove the battery holder turn remote onto front side and press the left side lever towards the center while pulling the battery holder out using the slot provided.
- Replace existing battery, type CR 2025, with a new battery and reinstall the battery holder into the remote by sliding it into position, as shown.
- Battery holder is secure into the remote control when a "CLICKING" noise is heard.



## 6.2 HARD WIRE INSTALLATION

### ! WARNING

ENSURE ALL POWER IS TURNED OFF BEFORE HARD WIRING THIS APPLIANCE.

If it is necessary to hard wire the appliance, a qualified electrician may remove the cord connection, and wire the appliance directly to the household wiring.

This appliance must be electrically connected and grounded in accordance with local codes, if hard wired. In the absence of local codes, the current CSA C22.1 CANADIAN ELECTRICAL CODE in Canada or the current ANSI/NFPA 70 NATIONAL ELECTRIC CODE in the United States.

Fig. 1

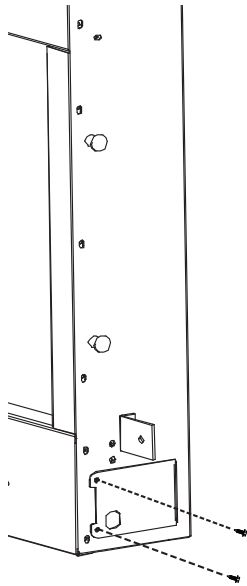
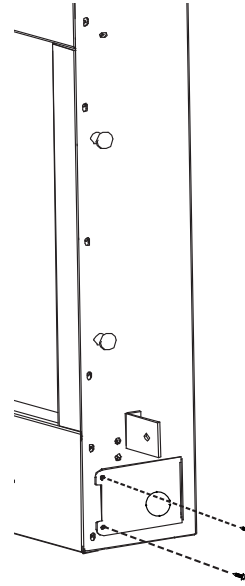


Fig. 2



- A. Remove the cover plate from the right side of the appliance by removing the two screws, as shown in Figure 1.
- B. Remove the wire connectors and strain relief from the power cord. The power cord may be discarded. Refer to Figure 3.
- C. Take the new cover plate, supplied in the manual bag. Punch out the 7/8" hole and install a box connector through, into the junction box. Snap the box connector clamp onto the supply wires.
- D. Using the wire connectors, connect the common wires together, then hot wires, and then the ground wires, refer to Figure 3.
- E. Reinstall the new cover plate as illustrated in Figure 2.

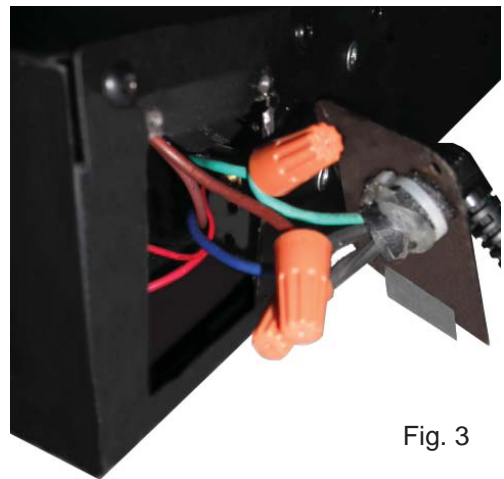
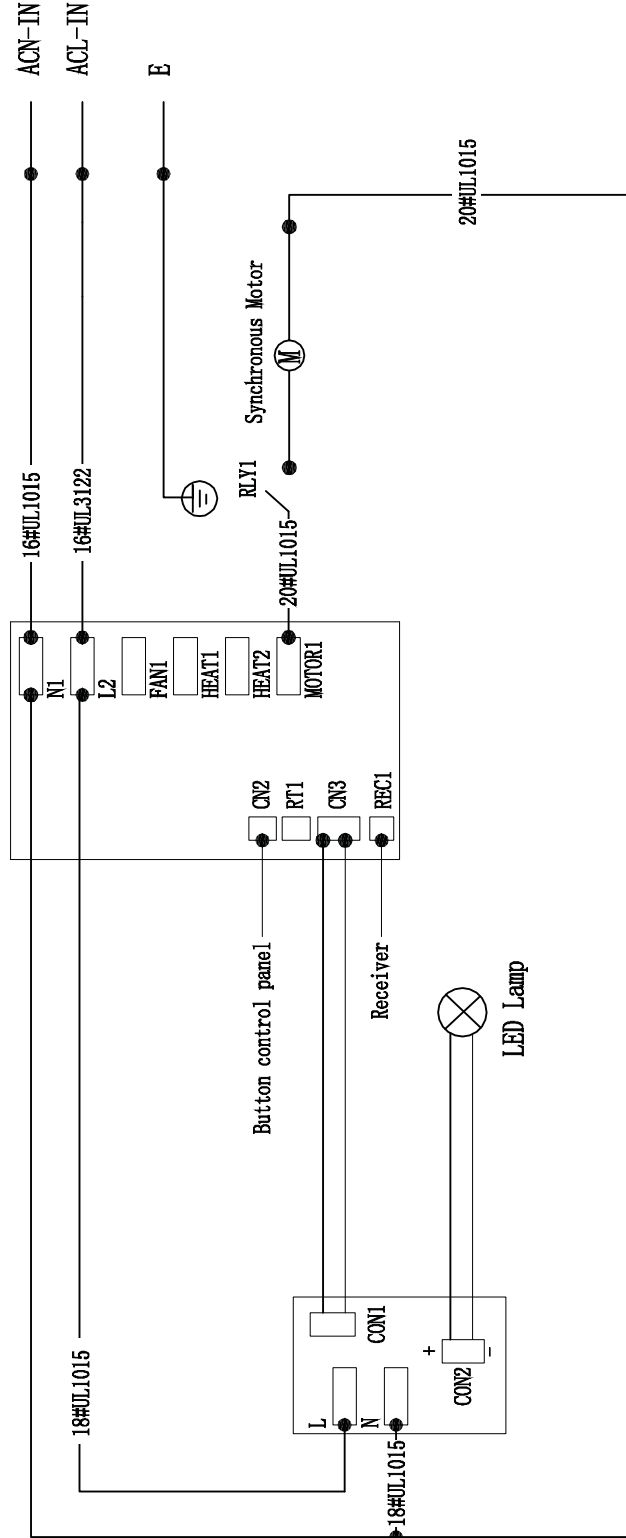


Fig. 3

**NOTE:** Leave enough wire so that the appliance can be removed from the enclosure without disconnecting the power supply.

# 7.0 WIRING DIAGRAM

**! WARNING**  
ENSURE ALL POWER IS TURNED OFF BEFORE HARD WIRING THIS APPLIANCE.



# 8.0 REPLACEMENT PARTS

Contact your dealer or the factory for questions concerning prices and policies on replacement parts. Normally all parts can be ordered through your Authorized dealer / distributor.

**FOR WARRANTY REPLACEMENT PARTS, A PHOTOCOPY OF THE ORIGINAL INVOICE WILL BE REQUIRED TO HONOUR THE CLAIM.**

When ordering replacement parts always give the following information:

- Model & Serial Number of appliance
- Installation date of appliance
- Part number
- Description of part
- Finish

**! WARNING**

**FAILURE TO POSITION THE PARTS IN ACCORDANCE WITH THIS MANUAL OR FAILURE TO USE ONLY PARTS SPECIFICALLY APPROVED WITH THIS APPLIANCE MAY RESULT IN PROPERTY DAMAGE OR PERSONAL INJURY.**

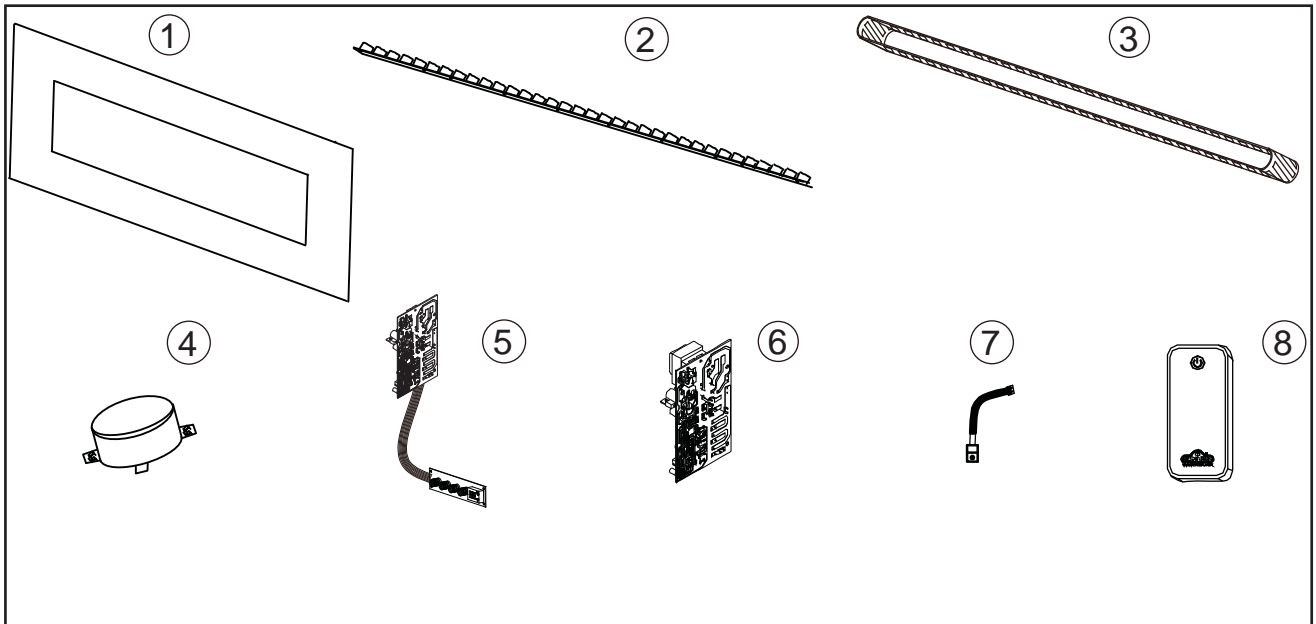
**\* IDENTIFIES ITEMS WHICH ARE NOT ILLUSTRATED. FOR FURTHER INFORMATION, CONTACT YOUR AUTHORIZED DEALER.**

41.1

For aftermarket sales and service please call 1-866-539-2039

COMPONENTS		
REF NO.	PART NO.	DESCRIPTION
1	W300-0166	GLASS PANEL
2	W387-0020	LED BULB
3	W050-0006	FLAME BELT
4	W435-0056	MOTOR 120V/60HZ/4W
5	W190-0060	EFL100 CONTROL CIRCUIT BOARD, MAIN
6	W190-0059	CIRCUIT BOARD, LED POWER
7	W660-0132	REMOTE RECEIVER
8	W660-0140	REMOTE CONTROL

**NOTE:** Care must be taken when removing and disposing of any broken glass or damaged components. Be sure to vacuum up any broken glass from inside the appliance before operation.



## 9.0 TROUBLE SHOOTING

### WARNING

**TURN OFF THE APPLIANCE COMPLETELY AND LET COOL BEFORE SERVICING. ONLY A QUALIFIED SERVICE PERSON SHOULD SERVICE AND REPAIR THIS ELECTRIC APPLIANCE.**

SYMPTOM	PROBLEM	TEST SOLUTION
Dim or no flame	LED's are burnt out	Inspect the LED's beneath the flame generation belt and replace them if necessary
Appliance turns off and will not turn on	Appliance has overheated and safety device has caused the thermal switch to disconnect	Unplug the appliance, allow appliance to cool for 15 minutes, then plug it back in
	House circuit breaker has tripped	Reset house circuit breaker
Appliance will not come on when switch is flipped to ON	Appliance is not plugged into an electrical outlet	Check plug and plug it in
	Appliance has overheated and safety device has caused the thermal switch to disconnect	Unplug the appliance, allow appliance to cool for 15 minutes, then plug it back in
Remote control does not work	Low batteries	Replace batteries in remote control

42.28

SYMPTOM	PROBLEM	TEST SOLUTION
Flame belt is not operational	Belt has become disengaged	Remove belt, check for obstructions, repair any damages and reinstall the belt
	Belt has broken	Replace the broken belt
	Motor does not work	Replace the broken motor



## 10.0 WARRANTY

NAPOLEON® electric appliances are manufactured under the strict Standard of the world recognized ISO 9001 : 2008 Quality Assurance Certificate.

NAPOLEON® products are designed with superior components and materials, assembled by trained craftsmen who take great pride in their work. Once assembled the complete appliance is thoroughly inspected by a qualified technician before packing to ensure that you , the customer, receive the quality product that you expect from NAPOLEON®.

### NAPOLEON® ELECTRIC APPLIANCE LIMITED WARRANTY

Electrical components and wearable parts such as fan/heater, motors, switches, nylon bearing components and remote controls are covered and NAPOLEON® will provide replacement parts free of charge during the first year of limited warranty. Light bulbs and fuses are NOT covered by the warranty.  
Any labour related to warranty repair is not covered.  
\* Construction of models vary. Warranty applies only to components included with your specific appliance.

### CONDITIONS AND LIMITATIONS

NAPOLEON® warrants its products against manufacturing defects to the original purchaser only. Registering your warranty is not necessary. Simply provide your proof of purchase along with the model and serial number to make a warranty claim. NAPOLEON® reserves the right to have its representative inspect any product or part thereof prior to honouring any warranty claim. Provided that the purchase was made through an authorized NAPOLEON® dealer your appliance is subject to the following conditions and limitations:  
Warranty coverage begins on the date of original installation.  
This factory warranty is non-transferable and may not be extended whatsoever by any of our representatives.  
Installation must be done in accordance with the installation instructions included with the product and all local and national building and fire codes.  
This limited warranty does not cover damages caused by misuse, lack of maintenance, accident, alterations, abuse or neglect and parts installed from other manufacturers will nullify this warranty.  
This limited warranty further does not cover any scratches, dents, corrosion or discoloring caused by excessive heat, abrasive and chemical cleaners nor chipping on porcelain enamel parts, mechanical breakage of PHAZER™ logs.  
In the first year only, this warranty extends to the repair or replacement of warranted parts which are defective in material or workmanship provided that the product has been operated in accordance with the operation instructions and under normal conditions.  
NAPOLEON® will not be responsible for installation, labour or any other expenses related to the reinstallation of a warranted part and such expenses are not covered by this warranty. Notwithstanding any provisions contained in the Limited Warranty, NAPOLEON's responsibility under this warranty is defined as above and it shall not in any event extend to any incidental, consequential or indirect damages.  
This warranty defines the obligations and liability of NAPOLEON® with respect to the NAPOLEON® electric appliance and any other warranties expressed or implied with respect to this product, its components or accessories are excluded.  
NAPOLEON® neither assumes, nor authorizes any third party to assume, on its behalf, any other liabilities with respect to the sale of this product.  
Any damages to appliance, brass trim or other component due to water, weather damage, long periods of dampness, condensation, damaging chemicals or cleaners will not be the responsibility of NAPOLEON®.  
The bill of sale or copy will be required together with a serial number and a model number when making any warranty claims from your authorized dealer. The warranty registration card must be returned within fourteen days to register the warranty.  
NAPOLEON® reserves the right to have its representative inspect any product or part thereof prior to honouring any warranty claim.  
All parts replaced under the Limited Warranty Policy are subject to a single claim.  
All parts replaced under the warranty will be covered for a period of 90 days from the date of their installation.  
The manufacturer may require that defective parts or products be returned or that digital pictures be provided to support the claim. Returned products are to be shipped prepaid to the manufacturer for investigation. If a product is found to be defective, the manufacturer will repair or replace such defect.  
Before shipping your appliance or defective components, your dealer must obtain an authorization number. Any merchandise shipped without authorization will be refused and returned to sender.  
Shipping costs are not covered under this warranty.  
Additional service fees may apply if you are seeking warranty service from a dealer.

ALL SPECIFICATIONS AND DESIGNS ARE SUBJECT TO CHANGE WITHOUT PRIOR NOTICE DUE TO ON-GOING PRODUCT IMPROVEMENTS.  
NAPOLEON® IS A REGISTERED TRADEMARK OF WOLF STEEL LTD.

2.5B

# 11.0 SERVICE HISTORY

Date	Dealer Name	Service Technician Name	Service Performed	Special Concerns

**Appliance Service History**  
This heater must be serviced annually depending on usage.





Other products available from your  
Authorized Napoleon® Fireplace Dealer...



Patio Heaters



Fireplace Mantels



HVAC Products



Electric Fireplaces



Outdoor Living Products



Fireplace Accessories

Contact your Authorized Napoleon® dealer or visit [napoleonfireplaces.com](http://napoleonfireplaces.com) for more information.

Pour de plus amples renseignements, contactez votre détaillant Napoleon® autorisé ou visitez le [napoleonfoyers.com](http://napoleonfoyers.com).

Foyers électriques



Produits de divertissement extérieurs



Accessoires de foyer



Chauffe-patios



Manteaux de foyer



Produits HVAC



FOYERS DE QUALITÉ

Autres produits offerts chez votre détaillant de foyers Napoleon® autorisé...

# 12.0 NOTES

**Historique d'entretien Wolf Steel**

Cet appareil doit être entretenu annuellement selon son usage.

Date	Détailant	Nom du technicien	Travail effectué	Problèmes particuliers



# 10.0 GARANTIE

Les foyers électriques NAPOLÉON® sont fabriqués conformément aux normes strictes du Certificat d'Assurance de Qualité mondiallement reconnu ISO 9001 : 2008.

Les produits NAPOLÉON® sont conçus avec des composants et des matériaux de qualité supérieure, assemblés par des artisans qualifiés qui sont fiers de leur travail. Une fois assemblé, chaque foyer est soigneusement inspecté par un technicien qualifié avant d'être emballé pour garantir que vous, le client, recevez le produit de qualité dont vous vous attendez de NAPOLÉON®.

## GARANTIE LIMITÉE DES APPAREILS ÉLECTRIQUES NAPOLÉON®

Les composants électriques et les pièces soumises à l'usure tels que la soufflerie/chauffe-étuve, les moteurs, les interrupteurs, les roulements à billes en nylon et les télécommandes sont couverts et NAPOLÉON® fournira gratuitement les pièces de rechange durant la première année de la garantie limitée. Les coûts de main-d'œuvre relatifs aux réparations garanties ne sont pas couverts. \*La fabrication de chaque modèle varie. La garantie s'applique uniquement aux composants disponibles avec votre appareil.

## CONDITIONS ET LIMITATIONS

NAPOLÉON® garantit ses produits contre les défauts de fabrication à l'acheteur d'origine seulement. L'enregistrement de la garantie n'est pas nécessaire. Fournissez simplement une preuve d'achat ainsi que le modèle et le numéro de série afin d'effectuer une réclamation de garantie. NapolÉon® se réserve le droit de demander à son représentant d'inspecter tous produits ou pièces avant d'honorer toute réclamation. L'achat doit avoir été fait par l'entremise d'un détaillant NAPOLÉON® autorisé et sous réserve des conditions et limitations suivantes :

La couverture de la garantie débute à partir de la date d'installation originale. Cette garantie du fabricant n'est pas transférable et ne peut être prolongée ou étendue par aucun de nos représentants quelle qu'en soit la raison.

L'installation doit être faite conformément aux instructions d'installation incluses avec le produit et à tous les codes d'incendie et de construction locaux et nationaux.

Cette garantie limitée ne couvre pas les dommages causés par un mauvais usage, un manque d'entretien, un accident, des altérations, des abus ou de la négligence, et l'installation de pièces d'autres fabricants annulera cette garantie.

Cette garantie limitée ne couvre pas les dommages causés par un mauvais usage, un manque d'entretien, un accident, des altérations, une chaleur excessive, des produits d'entretien chimiques et abrasifs ou l'écaillage de pièces en porcelaine émaillée, le bris par manipulation des bûches Phazer®.

Au cours de la première année seulement, cette garantie s'étend à la réparation ou au remplacement des pièces garanties dont les matériaux ou la fabrication sont défectueux à la condition que le produit ait été utilisé conformément aux instructions de fonctionnement et dans des conditions normales.

NAPOLÉON® ne sera pas responsable de l'installation, de la main-d'œuvre ou autres coûts ou dépenses relatives à la réinstallation d'une pièce garantie, et de telles dépenses ne sont pas couvertes par cette garantie. Nonobstant toutes les dispositions contenues dans cette Garantie Limitée, la responsabilité de NAPOLÉON® sous cette garantie est définie comme ci-dessus et elle ne s'étendra à aucun dommage accidentel, consécutif ou indirect.

Cette garantie définit l'obligation et la responsabilité de NAPOLÉON® en ce qui concerne l'appareil électrique NAPOLÉON®. Toute autre garantie énoncée ou implicite en ce qui concerne ce produit, ses composants ou accessoires est exclue.

NAPOLÉON® n'autorise aucun tiers à assumer en son nom, toutes autres responsabilités concernant la vente de ce produit.

Tous dommages causés à l'appareil, aux garnitures en laiton ou autres composants par l'eau, les dommages causés par les intempéries, de longues périodes d'humidité, la condensation, des produits chimiques ou produits d'entretien nuisibles ne seront pas la responsabilité de NAPOLÉON®.

La facture ou sa copie sera requise ainsi que le numéro de série et le numéro de modèle lors d'une réclamation auprès de votre détaillant autorisé. La carte d'enregistrement de garantie doit être retournée dans les quatre jours pour enregistrer la garantie. NAPOLÉON® se réserve le droit de demander à son représentant d'inspecter tout produit ou pièce avant d'honorer toute réclamation. Toutes les pièces remplacées en vertu de la Garantie Limitée ne peuvent faire l'objet que d'une seule réclamation.

Le fabricant peut exiger que les pièces défectueuses ou les produits soient retournés ou que des photos numériques soient fournies pour valider la réclamation. Les produits retournés doivent être expédiés port payé au fabricant pour une inspection en usine. Si un produit est déclaré défectueux, le fabricant le réparera ou le remplacera.

Avant d'expédier votre appareil ou les pièces défectueuses, votre détaillant doit obtenir un numéro d'autorisation. Toute marchandise expédiée à notre usine sans autorisation sera refusée et retournée à l'expéditeur.

Les coûts d'expédition ne sont pas couverts par cette garantie.

Des frais de service supplémentaires peuvent être appliqués si vous cherchez à obtenir des services au titre de la garantie auprès d'un détaillant.

TOUTES LES SPÉCIFICATIONS ET LES CONCEPTIONS SONT SUJETTES À MODIFICATIONS SANS PRÉAVIS EN RAISON DES AMÉLIORATIONS CONSTANTES APPORTÉES AUX PRODUITS. NAPOLÉON® EST UNE MARQUE DE COMMERCE DÉPOSÉE DE WOLF STEEL LTÉE.



## ! AVERTISSEMENT

**COUPEZ L'ALIMENTATION ÉLECTRIQUE À L'APPAREIL ET LAISSEZ-LE REFROIDIR AVANT D'EFFECTUER UN ENTRETIEN. SEUL UN TECHNICIEN DE SERVICE QUALIFIÉ PEUT EFFECTUER L'ENTRETIEN OU LA RÉPARATION DE CET APPAREIL ÉLECTRIQUE.**

### SYMPTOM PROBLEM TEST SOLUTION

La luminosité du jeu de flammes est faible ou inexistante.	LED's sont brûlées.	Vérifiez les LED à l'intérieur du cylindre de création du jeu de flammes et remplacez-les au besoin.
--	---------------------	--

L'appareil s'éteint et ne se rallume pas.	L'appareil a surchauffé et le dispositif de sécurité a entrainé le déclenchement de l'interrupteur thermique.	Débranchez l'appareil, laissez-le refroidir pendant 15 minutes puis rebranchez-le.
L'appareil n'est pas branché dans une prise de courant.	Le disjoncteur de la maison s'est déclenché.	Vérifiez la fiche puis rebranchez-la. Réinitialisez le disjoncteur.

L'appareil ne s'allume pas lorsque l'interrupteur est mis à « ON ».	L'appareil a surchauffé et le dispositif de sécurité a entrainé le déclenchement de l'interrupteur thermique.	Débranchez l'appareil, laissez-le refroidir pendant 15 minutes puis rebranchez-le.
La télécommande ne fonctionne pas.	Les piles sont faibles.	Remplacez les piles de la télécommande.

42.28

### SYMPTOM PROBLÈME TEST SOLUTION

Ceinture n'est pas opérationnel	Le ceinture a été déclenché	Enlevez le ceinture, vérifiez pour les obstructions, réparer n'importe quels dommages et réinstalle la ceinture
	Le ceinture est cassée	Remplacez le ceinture
	Le moteur ne fonctionne pas	Remplacez le moteur

## 8.0 RECHANGES

Contactez votre détaillant ou le fabricant pour les questions concernant les prix et la disponibilité des pièces de rechange. Normalement, toutes les pièces peuvent être commandées chez votre détaillant autorisé.

**POUR UN REMPLACEMENT DE PIÈCE SOUS GARANTIE, UNE PHOTOCOPIE DE LA FACTURE ORIGINALE SERA REQUISE AFIN DE POUVOIR HONORER LA DEMANDE.**

Lorsque vous commandez des pièces, donnez toujours :

- l'information suivante :
- Modèle et numéro de série de l'appareil
- Date d'installation de l'appareil
- Numéro de la pièce
- Description de la pièce
- Fini!

\* IDENTIFIEZ LES ARTICLES QUI NE SONT PAS ILLUSTRÉS. POUR PLUS D'INFORMATION, CONTACTEZ VOTRE DÉTAILLANT AUTORISÉ.

**AVERTISSEMENT**

OMETTEZ DE POSITIONNER LES PIÈCES CONFORMÉMENT AU MANUEL OU D'UTILISER UNIQUEMENT DES PIÈCES SPÉCIFIQUEMENT APPROUVÉES POUR CET APPAREIL PEUT CAUSER DES DOMMAGES MATÉRIELS OU DES BLESSURES CORPORELLES.

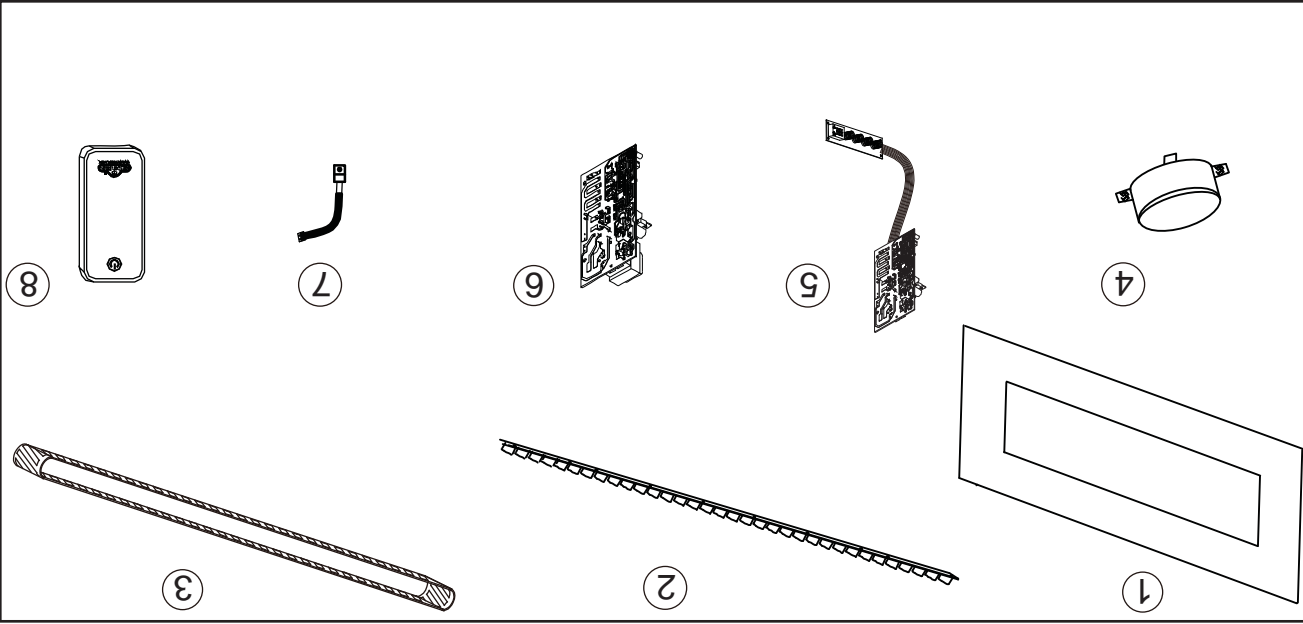
41.1

Pour le service après-vente, veuillez composer le 1-866-539-2039

### COMPONENTS

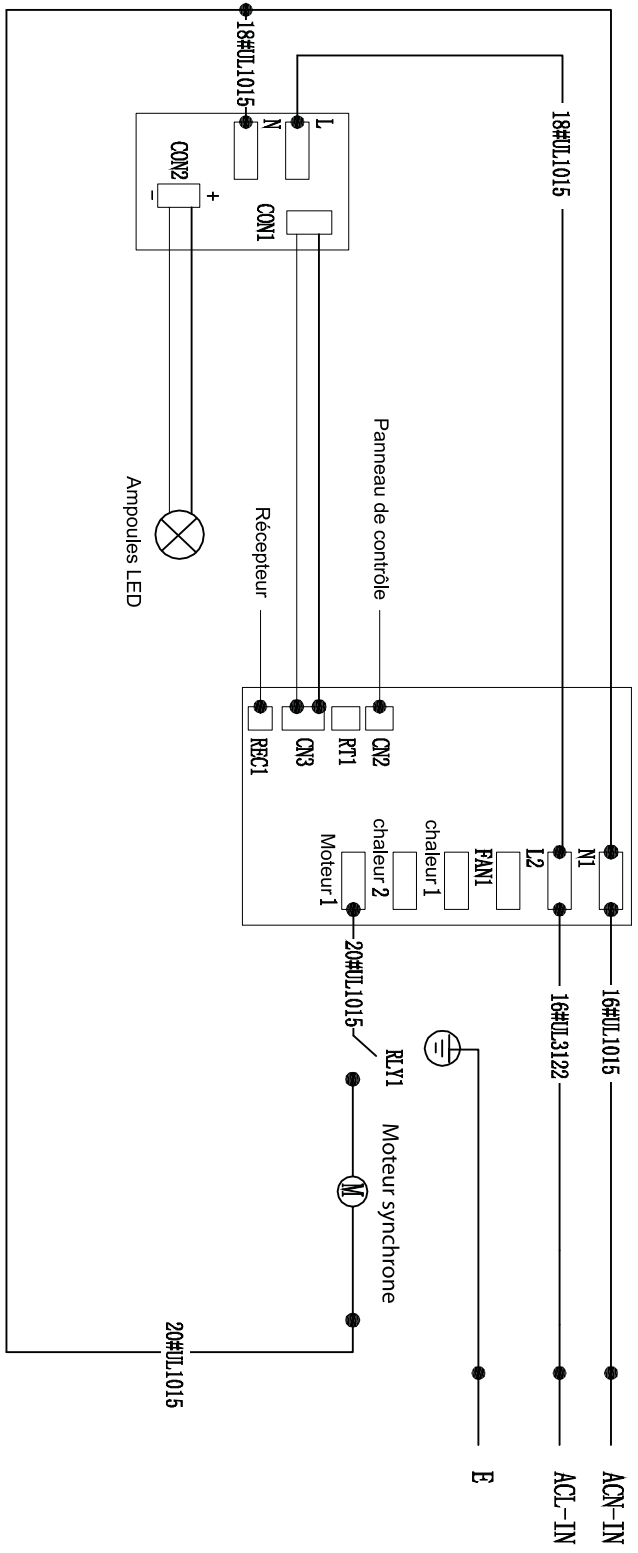
REF NO.	PART NO.	DESCRIPTION
1	W300-0166	PANNEAU DE VERRE
2	W387-0020	AMPOULE LED
3	W050-0006	CEINTURE DE FLAMME
4	W435-0056	MOTEUR 120V/60HZ/4W
5	W190-0054	PANNEAU DE CONTROL DE CIRCUIT PRINCIPALE
6	W190-0059	PANNEAU DE CONTROL DE CIRCUIT, POUVOIR DE LED
7	W660-0132	RÉCEPTEUR
8	W660-0134	TÉLÉCOMMANDE

**NOTE:** Le soin doit être pris en enlevant le verre cassé ou les composants endommagés. Etre sûr de passer une vide sur le verre cassé dans l'appareil avant l'opération.



# 7.0 SCHEMA DE CÂBLAGE

**AVERTISSEMENT** ASSUREZ-VOUS QUE L'ALIMENTATION ÉLECTRIQUE EST COUPÉE AVANT D'EFFECTUER LE BRANCHEMENT PAR CÂBLE DE CET APPAREIL.



**AVERTISSEMENT**  
 ASSUREZ-VOUS QUE L'ALIMENTATION ÉLECTRIQUE EST COUPÉE AVANT D'EFFECTUER LE BRANCHEMENT PAR CÂBLE DE CET APPAREIL.

S'il s'avère nécessaire de faire un branchement par câble, un électricien qualifié peut retirer le cordon d'alimentation de l'appareil et brancher ce dernier directement au câblage de la maison.

Si vous effectuez un branchement par câble, cet appareil doit être raccordé électriquement et mis à la terre conformément aux codes locaux. En l'absence de codes locaux, utilisez la version courante du CODE CANADIEN DE L'ÉLECTRICITÉ CSA C22.1 au Canada ou le NATIONAL ELECTRICAL CODE ANSI/NFPA 70 aux États-Unis.

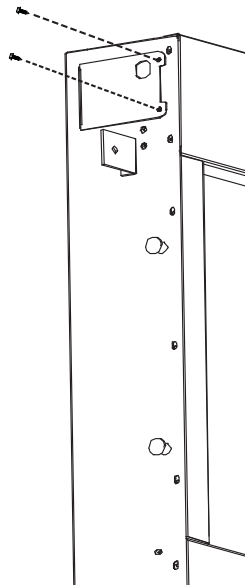


Fig. 1

**A.** Retirez la plaque de recouvrement située sur le côté droite de l'appareil par enlever les deux vis, comme illustrée en Figure 1.

**B.** Enlevez les marmettes et le serre-câble du cordon d'alimentation. Vous pouvez jeter le cordon d'alimentation, illustré en Figure 3.

**C.** Retirez le nouveau plaque de recouvrement fourni. Retirez le disque poinçonné de 7/8" situé sur la plaque de recouvrement. Insérez un connecteur de boîte à travers le disque poinçonné et fixez-le à la boîte de jonction. Attachez la bride de serrage du connecteur de boîte sur les fils d'alimentation.

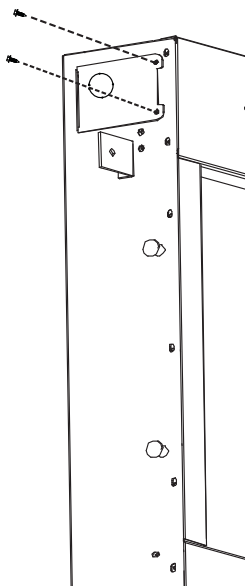


Fig. 2

**D.** À l'aide de marmettes, branchez ensemble les fils neutres, puis les fils chargés et, enfin, les fils de mise à la terre, voir Figure 3. Remplacez la nouveaux plaque de recouvrement, utilisant les deux vis illustrée en Figure 2.

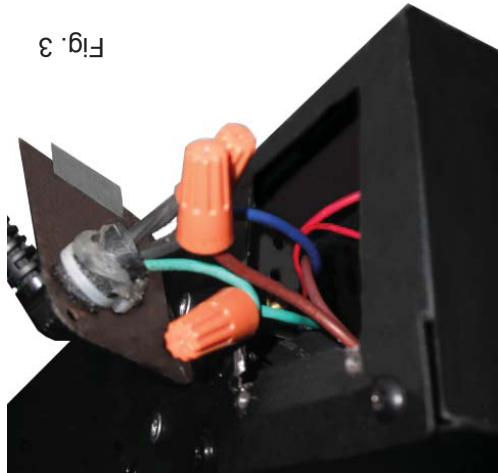


Fig. 3


**NOTE:** Garantir qu'il y a assez de fil pour que l'appareil peut être enlevé de l'encastre sans débrancher l'alimentation.

## 5.0 INSTRUCTIONS DE FONCTIONNEMENT

L'appareil est prêt à fonctionner dès qu'il est correctement branché dans une prise de courant mise à la terre. **NOTE:** Assurez-vous que les disjoncteurs de la maison pour ce circuit soient allumés. Lors d'une panne de courant, les réglages du jeu de flammes et des fonctions devront être reprogrammés quand le courant sera rétabli.

### 5.1 UTILISATION DE LA TÉLÉCOMMANDE

**NOTE:** Faire certain que les piles sont correctement installées, pour les instructions d'installation voir la section « INSTALLATION DES PILES DU TÉLÉCOMMANDE ».

- A. En fonctionnant la télécommande, il doit être dirigé vers le centre de la face de l'appareil.
- B. Le bouton d'alimentation peut être utilisé pour mettre la pouvoir en haut et en bas. Appuyer ce bouton  pour faire fonctionner l'appareil.
- C. Pour éteindre l'appareil, appuyer le bouton d'alimentation une fois.

**NOTE:** Cette télécommande ne doit pas rester plus loin de 8 mètres ou 26 pieds de l'appareil pour être efficaces.



## 6.0 ENTRETIEN

**PRÉPARATION POUR L'ENTRETIEN**  
 DÉBRANCHEZ TOUJOURS L'ALIMENTATION ÉLECTRIQUE ET LAISSEZ L'APPAREIL REFFROIDIR AVANT DE LE NETTOYER, DE PROCÉDER À SON ENTRETIEN OU DE LE RELOCALISER. TOURNEZ LES CONTRÔLES À « OFF » ET RETIREZ LA FICHE DE LA PRISE DE COURANT OU FERMEZ LE DISJONCTEUR DU CIRCUIT DE VOTRE APPAREIL.

**NE PAS INSTALLER D'AMPOULES DE REMPLACEMENT QUI EXCÈDENT LA PUISSANCE (WATTS) MAXIMALE SPÉCIFIÉE.**

**LES AMPOULES LED DE VOTRE APPAREIL DEVIENNENT TRÈS CHAUDES LORS DE LEUR UTILISATION. LORSQUE VOUS DEVEZ LES REMPLACER, ATTENDEZ AU MOINS 10 MINUTES APRÈS AVOIR ÉTEINT VOTRE APPAREIL POUR LES ENLEVER.**

### 6.1 INSTALLATION DES PILES DU TÉLÉCOMMANDE

1. Pour remplacer les piles enlève le support de pile.
2. Pour enlever le support de pile placer le télécommande sur le côté de devant et appuie le bouton gauche vers le centre en retirant le porte-pile utilisant l'entaille fournie.
3. Remplacer le pile existant, de type CR2025, avec une nouvelle pile et réinstalle le support de pile au télécommande par le glissement en place, comme indiqué.
4. Le support de pile est fixé dans la télécommande quand un « CLICQUETIS » est entendu.



## 4.0 FINITIONS

<b>! AVERTISSEMENT</b>
<b>LE RACCORDEMENT PAR CÂBLE DOIT ÊTRE COMPLÉTÉ AVANT LA FINITION AFIN D'ÉVITER TOUTE RECONSTRUCTION.</b>
<b>LES ENTRÉES D'AIR ET LES SORTIES D'AIR DE L'APPAREIL NE DOIVENT JAMAIS ÊTRE COUVERTES.</b>

### 4.1 INSTALLATION DES BRAISES DE VERRE

La façade vitrée doit être enlevée et l'appareil doit être monté dans son emplacement final avant que les braises de verre soient installées.

Les braises de verre peuvent avoir des bords tranchants, portez les lunettes de sécurité et les gants en contrôlant la verre.

**A. NETTOYER LES MEDIAS DE VERRE :** Les médias de verre

peuvent avoir un résidu de pétrole fin qui a besoin d'être nettoyé avant l'installation. Nettoyer le verre avec le liquide vaisselle doux, l'égot, rincer et sécher avant de les placer dans le plateau.



**B.** Soigneusement placer les braises de verre dans le plateau inférieur sur le devant de l'appareil comme illustré. Appliquer une couche égale aux côtés.

**NOTE:** Ce n'être pas nécessaire d'utiliser les médias de tous le verre ont fourni.

### 4.2

### INSTALLATION DE LA FAÇADE VITRÉE

Il est recommandé que l'installation de la vitre soit faite par deux personnes. Lorsque vous manipulez du verre, portez des lunettes de sécurité et des gants protecteurs.

**A.** Alignez les supports à l'arrière de la vitre avec les 4 vis à

épaulement sur le côté du caisson.

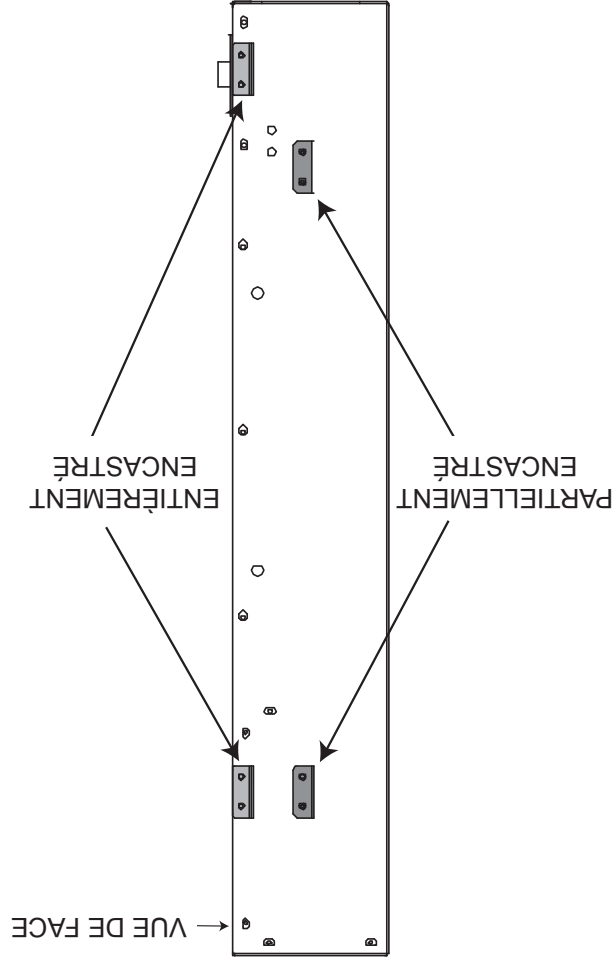
**B.** Glisser le verre en descendant, garantir que le crochet a engagé à

**C.** la vis d'épaule avant que vous relâcher le verre. Pour l'enlèvement de la façade vitrée renverser ces étapes.



## 3.3.3 INSTALLATION DU SUPPORT DE MONTAGE

- A.** Enlever la façade vitrée, se référer à la section « INSTALLATION DE LA FAÇADE VITRÉE » pour les instructions d'enlèvement.
- B.** Avant installer les support de montage déterminez si vous encastrez partiellement ou entièrement.
- C.** Fixé les deux support de montage à chaque côté de l'appareil utilisent les trous appropriés, comme illustré dans l'illustration au dessous, utilisée les 8 vis ont fourni pour fixé les supports de montage à l'appareil.
- D.** Niveler l'appareil et fixé les supports de montage au mur en utiliser les 4 vis fourni.



### 3.3 INSTALLATION ENCASTRÉ

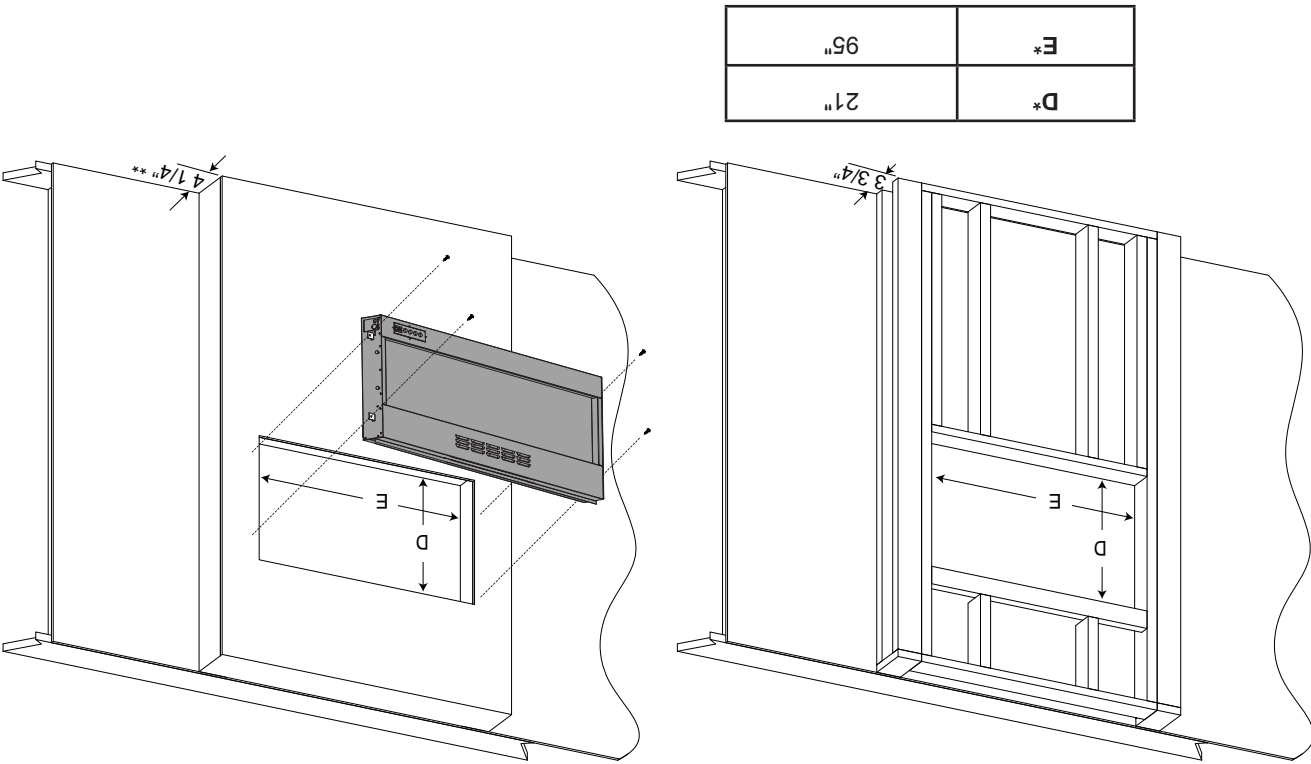
En raison de trop de matériels finis différentes utilisés sur les murs, il est extrêmement recommandé que vous consultiez votre constructeur local avant que vous installiez cet appareil dans le mur.  
 Choisissez un endroit non sujet à l'humidité et situé à au moins 36 pouces des articles combustibles, tels que les rideaux, meubles, literie, papier, etc.

#### 3.3.1 DÉGAGEMENT MINIMUM AUX COMBUSTIBLES

<b>Les mesures sont prises du corps</b>	
Côtés, l'arrière et le sommet	0"

#### 3.3.2 OSSATURE

Matériel Finis



- A. Une fois l'ouverture a été préparée, et l'électricité a été dirigé au côté droite, l'appareil pourrait être installé.
- B. Soulever l'appareil jusqu'à l'ouverture.
- C. La connexion électrique et la branchement par câble doit être faite avant de glisser l'appareil à sa place.
- D. Niveler l'appareil et fixé au mur utilisant les supports fournis, se référer à la section "INSTALLATION DU SUPPORT DE MONTAGE".

**\* NOTE:** Pour éviter la possibilité d'isolation exposée ou la barrière de vapeur qui entre en contact avec le corps de l'appareil, il est recommandé que les murs de la clôture de l'appareil aient « fini » (c.-à-d. cloison sèche/sheetrock) comme vous finiriez des autres mur extérieur d'une maison. Ceci garantira que le dégagement aux combustibles est maintenu dans la cavité. Les dimensions d'encadrement auront être ajusté pour représenter l'épaisseur du matérielle fini.

\*\* Avec une matérielle fini d'une épaisseur de 1/2 pouce.



3.2

INSTALLATION DE L'APPAREIL SUR LA MUR

Puisque les murs peuvent être recouverts de divers matériaux, nous vous conseillons fortement de retenir les services d'un professionnel qualifié pour ces travaux.

**A.** Choisissez un endroit non sujet à l'humidité et situé à au moins 36 pouces des articles combustibles, tels que les rideaux, meubles, literie, papier, etc.

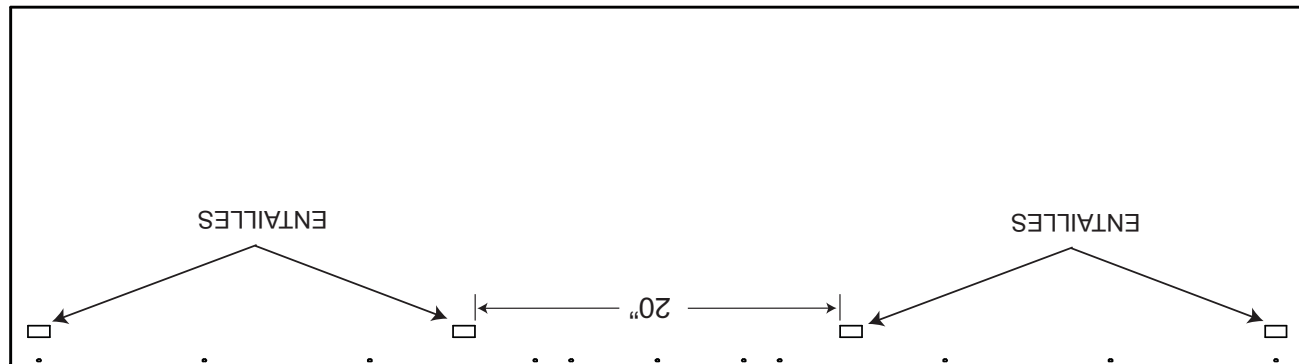
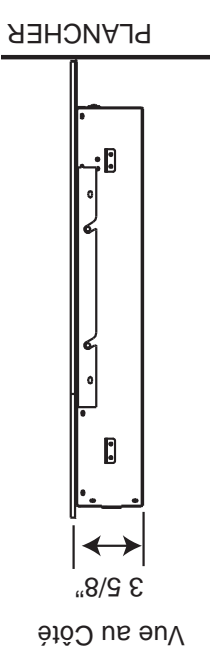
**B.** Demandez à deux ou plusieurs personnes d'appuyer et de maintenir l'appareil contre le mur pour en déterminer l'emplacement définitif.

**C.** Puis, en utilisant le gabarit, marquez au mur le centre de la trou pour les deux supports de montage. Ces supports de montage **DOIT** avoir les crochets qui font le face en haut et est nivelé.

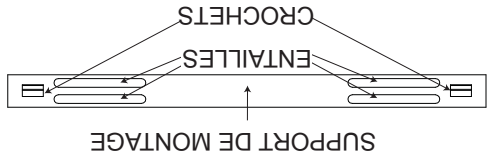
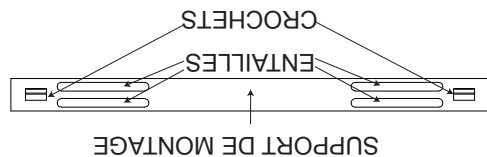
**D.** Installer les ancres et les vis fournies. Ne pas resserrer les vis complètement, la tête de la vis doit engager avec le support de montage. **NOTE: Si possible, nous vous conseillons fortement de visser les vis dans les montants muraux. Si vous ne pouvez utiliser les montants muraux, assurez-vous d'utiliser les ancrages en plastique pour fixer le support au mur.**

**E.** Une fois que le support de montage est installé, demandez à deux ou plusieurs personnes de soulever l'appareil et d'insérer les crochets dans les entailles à l'arrière de l'appareil.

**F.** Vérifiez la stabilité de l'appareil en vous assurant que l'appareil est bien ancré dans le mur et que l'appareil ne tombera pas.



VUE POSTÉRIEURE



### 3.0 INSTALLATION

**AVERTISSEMENT**

RISQUE D'INCENDIE! LE CORDON D'ALIMENTATION NE DOIT PAS ÊTRE COINCÉ CONTRE UNE ARÊTE VIVE. FIXEZ LE CORDON POUR ÉVITER LES CHUTES OU LES ACCROCHAGES AFIN DE RÉDUIRE LE RISQUE D'INCENDIE, DE CHOC ÉLECTRIQUE OU DE BLESSURES CORPORELLES. NE PASSEZ PAS LE CORDON D'ALIMENTATION SOUS UN TAPIS. NE RECouvrez PAS LE CORDON AVEC DES CARPETTES, DES TAPIS DE COULOIR OU AUTRES REVÊTEMENTS SIMILAIRES. ÉVITEZ DE PLACER LE CORDON DANS UN ENDROIT PASSANT OU À UN ENDROIT OÙ IL RISQUE DE CAUSER DES CHUTES. RISQUE D'INCENDIE! POUR PRÉVENIR LES RISQUES D'INCENDIE, NE BLOQUEZ PAS LES ENTRÉES D'AIR ET LES SORTIES D'AIR DE QUELQUE MANIÈRE QUE CE SOIT. NE PLACEZ PAS CET APPAREIL SUR UNE SURFACE MOLE OÙ LES OUVERTURES POURRAIENT SE BLOQUER. RISQUE D'INCENDIE! NE SOUFFLEZ PAS OU NE PLACEZ PAS D'ISOLANT CONTRE L'APPAREIL. CET APPAREIL ÉLECTRIQUE A ÉTÉ TESTÉ ET HOMOLOGUÉ POUR USAGE AVEC LES ACCESSOIRES OPTIONNELS LISTÉS DANS CE MANUEL UNIQUEMENT. L'UTILISATION D'ACCESSOIRES OPTIONNELS QUI N'ONT PAS ÉTÉ SPÉCIFIQUEMENT TESTÉS POUR CET APPAREIL ÉLECTRIQUE ANNULERA LA GARANTIE DE L'APPAREIL ET/OU PRÉSENTERA DES RISQUES POUR LA SÉCURITÉ. SI CES INSTRUCTIONS NE SONT PAS SUIVIES À LA LETTRE, UN INCENDIE OU UNE EXPLOSION POURRAIT S'ENSUIVRE, CAUSANT DES DOMMAGES MATÉRIELS, DES BLESSURES CORPORELLES OU DES PERTES DE VIE. N'ENTREPOSEZ PAS ET N'UTILISEZ PAS D'ESSENCE OU AUTRES VAPEURS INFLAMMABLES À PROXIMITÉ DE CET APPAREIL OU TOUT AUTRE APPAREIL. ÉTANT DONNÉ LA LOURDEUR DE CET APPAREIL, IL EST RECOMMANDÉ QUE DEUX PERSONNES EN FASSENT L'INSTALLATION. LES ENTRÉES D'AIR ET LES SORTIES D'AIR NE DOIVENT PAS ÊTRE COUVERTES EN AUCUN CAS AFIN DE RÉDUIRE LE RISQUE D'INCENDIE.

3.1

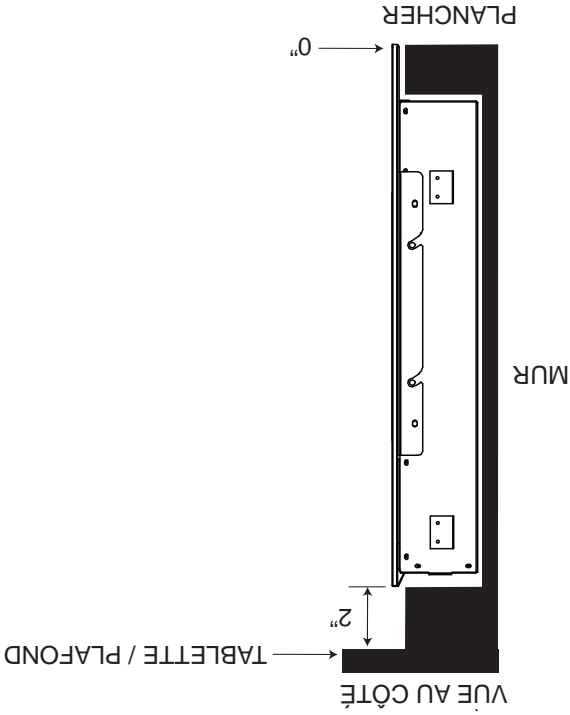
DÉGAGEMENTS MINIMAUX AUX MATÉRIEAUX COMBUSTIBLES ET AUX TABLETTE

**AVERTISSEMENT**

LORSQUE VOUS UTILISEZ DE LA PEINTURE OU DU VERNIS COMME FINITION POUR VOTRE TABLETTE, ASSUREZ-VOUS QU'ILS SOIENT RÉSISTANTS À LA CHALEUR AFIN DE PRÉVENIR LA DÉCOLORATION. INSTALLEZ LA BASE DE L'APPAREIL À AU MOINS 2 POUCES AU-DESSUS DU PLANCHER FINI.

Les mesures sont prise de la façade vitrée.	
Dessous	0"
Côtés	0"
Arrière	0"
Haut	2" au plafond

**NOTE:** En installant l'appareil tîent garantir une distance minimum de 2" entre le sommet de l'appareil et le plafond, ou la tablette pour tenir le compte de l'enlèvement du façade vitrée.



## 2.0 EMBLACEMENT DE L'APPAREIL

<b>AVERTISSEMENT</b>
<p>EN RAISON DES TEMPÉRATURES ÉLEVÉES, L'APPAREIL DEVAIT ÊTRE PLACÉ LOIN DES ENDROITS PASSANTS. GARDEZ TOUS LES ARTICLES COMBUSTIBLES TELS QUE LES MEUBLES, LES OREILLERS, LA LITÈRIE, LE PAPIER, LES VÊTEMENTS ET LES RIDEAUX À UNE DISTANCE D'AU MOINS 36" DE LA FAÇADE DE L'APPAREIL.</p>
<p>NE PLACEZ JAMAIS L'APPAREIL ÉLECTRIQUE À UN ENDROIT OÙ IL RISQUE DE TOMBER DANS UNE BAIGNOIRE OU TOUT AUTRE RÉSERVOIR CONTENANT DE L'EAU.</p>
<p>PORTER DES GANTS DE PROTECTION ET DES LUNETTES DE SÉCURITÉ LORS DE L'INSTALLATION ET DE L'ENTRETIEN.</p>
<p>AFIN D'ÉVITER TOUT CONTACT AVEC DE L'ISOLANT QUI S'AFFAÏSSÉ, L'APPAREIL ÉLECTRIQUE NE DOIT PAS ÊTRE INSTALLÉ CONTRE UN COUPE-VAPEUR OU DE L'ISOLANT À DÉCOUVERT. UNE SURCHAUFFE LOCALISÉE PEUT SURVENIR ET UN INCENDIE POURRAIT S'ENSUIVRE.</p>
<p>L'APPAREIL ÉLECTRIQUE NE DOIT PAS ÊTRE EXPOSÉ AUX CONDITIONS EXTÉRIEURES (PAR EX. LA PLUIE).</p>

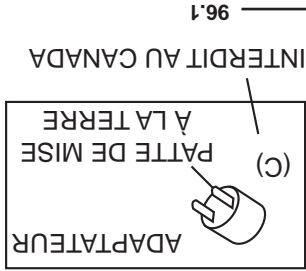
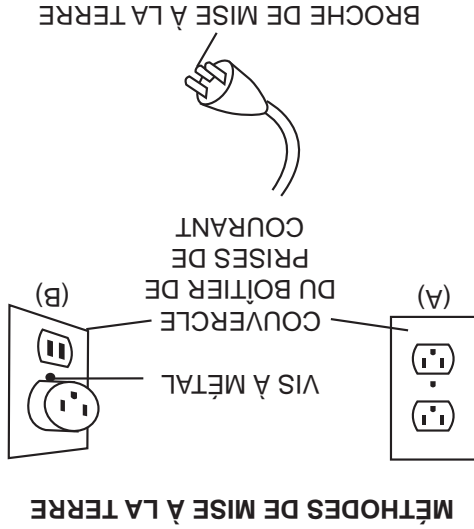
### 2.1 DÉBALLAGE ET VÉRIFICATION DE L'APPAREIL

Retirez soigneusement l'appareil de la boîte. Avant d'installer l'appareil, assurez-vous qu'il fonctionne bien en branchant le cordon d'alimentation dans une prise de courant mise à la terre de 120 V.

### 2.2 MISE À LA TERRE DE L'APPAREIL

Cet appareil doit être branché sur un circuit de 120 volts. Son cordon d'alimentation est équipé d'une fiche comme illustré en (A) ci-contre. Un adaptateur, tel qu'illustré en (C), est disponible pour brancher des fiches à trois branches avec mise à la terre dans des prises à deux fentes. La patte verte de mise à la terre de l'adaptateur doit être branchée dans une prise de courant mise à la terre de façon permanente telle qu'un boîtier de prises de courant mis à la terre. L'adaptateur ne doit pas être utilisé si une prise de courant mise à la terre à trois fentes est disponible.

Pour débrancher l'appareil, mettez les boutons de contrôle à « OFF » puis retirez la fiche de la prise de courant.



<b>! AVERTISSEMENT</b>
VEUILLEZ LIRE LE MANUEL D'INSTRUCTIONS EN ENTIER AVANT DE COMMENCER L'INSTALLATION. OMETTRE DE SUIVRE CES INSTRUCTIONS POURRAIT CAUSER UN MAUVAIS FONCTIONNEMENT DE L'APPAREIL ET ENTRAÎNER DES BLESSURES GRAVES ET/OU DES DOMMAGES MATÉRIELS.
TOUTS LES APPAREILS ÉLECTRIQUES CONTIENNENT DES COMPOSANTS INTERNES QUI DEVIENNENT CHAUDS ET QUI PRODUISENT DES ÉTINCELLES. N'UTILISEZ PAS CET APPAREIL DANS DES ENDROITS OU DE L'ESSENCE, DES PEINTURES OU D'AUTRES LIQUIDES INFLAMMABLES SONT PRÉSENTS.
CET APPAREIL ÉLECTRIQUE A ÉTÉ TESTÉ ET HOMOLOGUÉ POUR USAGE AVEC LES ACCESSOIRES OPTIONNELS LISTÉS DANS CE MANUEL UNIQUEMENT. L'UTILISATION D'ACCESSOIRES OPTIONNELS QUI N'ONT PAS ÉTÉ SPÉCIFIQUEMENT TESTÉS POUR CET APPAREIL ÉLECTRIQUE ANNULERA LA GARANTIE DE L'APPAREIL ET/OU PRÉSENTERA DES RISQUES POUR LA SÉCURITÉ.
NE PAS OUVRIR. RISQUE DE CHOC ÉLECTRIQUE. AUCUNE PIÈCE RÉPARABLE PAR L'UTILISATEUR À L'INTÉRIEUR.
N'UTILISEZ PAS DE CORDONS D'ALIMENTATION ENDOMMAGÉS.
L'ENTRETIEN NE DOIT ÊTRE EFFECTUÉ QUE LORSQUE L'APPAREIL EST DÉBRANCHÉ DU CIRCUIT ÉLECTRIQUE.
HAUTE TEMPÉRATURE, RISQUE D'INCENDIE. GARDEZ LES CORDONS D'ALIMENTATION, LES RIDEAUX, L'AMEUBLEMENT ET TOUT AUTRE ARTICLE COMBUSTIBLE À UNE DISTANCE D'AU MOINS 36" DE LA FAÇADE DE L'APPAREIL ET À L'ÉCART DES CÔTÉS ET DE L'ARRIÈRE.
POUR ÉVITER LES CHOC ÉLECTRIQUES, INTRODUISEZ LA BRANCHE LA PLUS LARGE DE LA FICHE DANS LA FENTE CORRESPONDANTE DE LA PRISE ET INSÉREZ JUSQU'AU FOND.

- A.** Avant de brancher votre appareil dans une prise de courant, vérifiez si le disjoncteur de la maison pour ce circuit est allumé.
- B.** Il est possible que l'appareil dégage une légère odeur inoffensive lors de la première utilisation. Cela est une condition normale causée par le chauffage initial des éléments de l'appareil. Elle ne se reproduira plus.
- C.** Si votre appareil n'émet pas de chaleur, consultez la section « Fonctionnement » de ce manuel pour de plus amples renseignements.
- D.** Utilisez avec un limiteur de surtension certifié CSA ou UL.

Cet appareil électrique répond aux normes de construction et de sécurité du H.U.D. pour des applications dans des maisons préfabriquées lorsque installé selon ces instructions.

1.1 DIMENSIONS

1.2

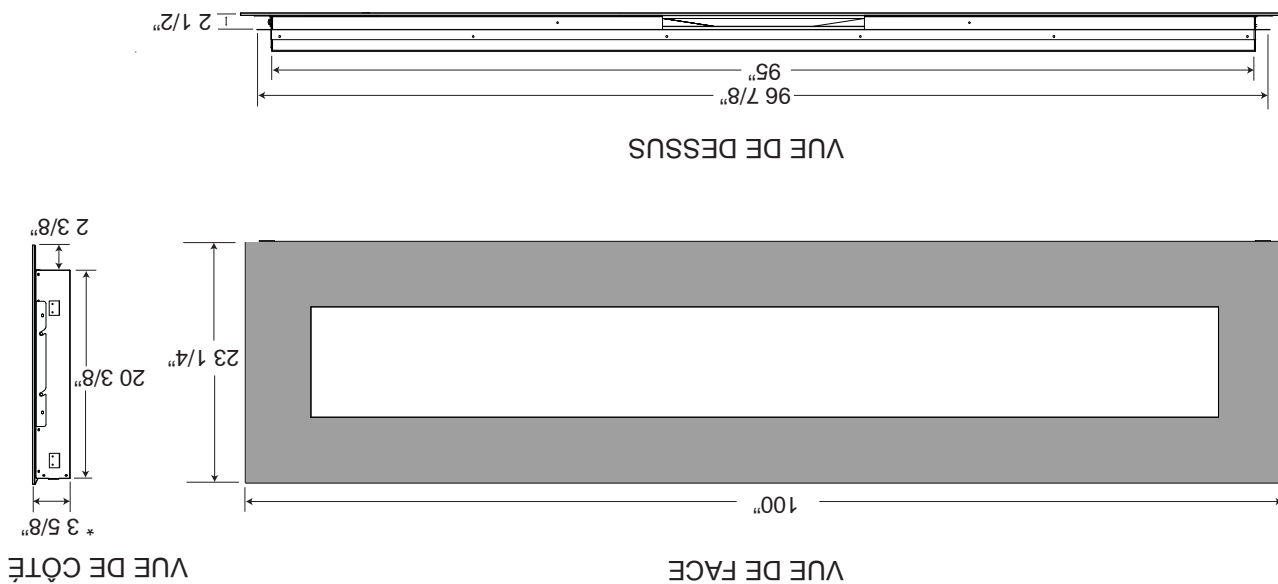
LISTE D'APPROBATIONS

Cet appareil a été conformément aux Normes de CSA et UL pour fixe et emplacement-dédié des appareils de pièce électriques aux Etats-Unis et Canada. Si vous avez besoin de l'assistance pendant l'installation, s'il vous plaît contacter votre négociant local.

**NOTE:** Cet appareil doit être électriquement télégraphié et doit être conformément fondé aux codes locaux. En l'absence de codes locaux, utiliser le CSA de courant C22.1 Code d'Electrique canadien au Canada ou l'ANSI/NFPA 70 Code Electrique National aux Etats-Unis.

Nombre de modèle	EFL100
Description	Fixé au mur ou Encastré
Tension	120V AC / 60HZ
Watts	MAX 68W
Amps	15 AMP Circuit fondé
Poids	147 Livres

\* EXCLUT L'EPaisseur DE VERRE



## ! AVERTISSEMENT

- **CET APPAREIL EST CHAUD LORSQU'IL FONCTIONNE ET PEUT CAUSER DE GRAVES BRULURES EN CAS DE CONTACT.**
- Ne faites pas fonctionner l'appareil avant d'avoir lu et compris les instructions d'utilisation. Ne pas respecter les instructions pourrait causer un incendie ou des blessures corporelles.
- Risque de brûlures. L'appareil doit être éteint et refroidi avant d'effectuer l'entretien. Pour débrancher l'appareil, mettez d'abord les boutons de contrôle à « OFF » puis retirez la fiche de la prise de courant.
- N'installez pas de composants endommagés ou incomplets ni des composants de substitution.
- Ne brûlez pas de bois ou autres matériaux dans cet appareil.
- Les jeunes enfants doivent être supervisés attentivement lorsqu'ils sont dans la même pièce que l'appareil. Les jeunes enfants et autres personnes sont sujets aux brûlures accidentelles. Une barrière de protection est recommandée s'il y a dans la maison des individus à risque. Afin de restreindre l'accès à l'appareil, installez une barrière de protection ajustable pour garder les jeunes enfants ou autres personnes à risque hors de la pièce et loin des surfaces chaudes.
- Les vêtements et autres matériaux combustibles ne doivent pas être posés sur l'appareil ou à proximité.
- En raison des températures élevées, l'appareil devrait être placé loin des endroits passants et loin des meubles et des rideaux.
- Assurez-vous de disposer de mesures de sécurité adéquates pour empêcher les jeunes enfants de toucher aux surfaces chaudes.
- Même lorsque l'appareil est éteint, la porte et l'écran demeureront chauds pendant un bon moment.
- Consultez votre détaillant local de foyer pour connaître les grillages de sécurité et les écrans offerts pour protéger les enfants des surfaces chaudes. Ces grillages de sécurité et ces écrans doivent être fixés au plancher.
- Les grillages de sécurité ou écrans enlevés pour faire l'entretien devront être remis en place avant d'utiliser l'appareil. Il est primordial de garder propres les compartiments de contrôle, la soufflerie et les bouches d'air de l'appareil. L'appareil doit être inspecté avant la première utilisation et au moins une fois l'an par un spécialiste en entretien. Un entretien plus fréquent pourrait être nécessaire en raison des peluches provenant des tapis, literie, etc. L'emplacement de l'appareil doit être libre de tous matériaux combustibles, essence ou autres liquides et vapeurs inflammables.
- Cet appareil ne devra être modifié en aucun cas.
- N'utilisez pas cet appareil si une partie quelconque a été submergée. Contactez immédiatement un technicien de service qualifié pour inspecter l'appareil et pour remplacer toute pièce du système de contrôle qui aurait été submergée.
- Ne pas opérer l'appareil lorsque la porte vitrée est enlevée, fissurée ou brisée. Le remplacement de la vitre devra être effectué par un technicien de service certifié ou qualifié.
- Ne frappez pas et ne cliquez pas la porte vitrée de l'appareil.
- Les matériaux d'emballage doivent être gardés hors de la portée des enfants et mis au rebut de façon sécuritaire. Comme tous les emballages de plastique, ceux-ci ne sont pas des jouets et doivent demeurer hors de la portée des enfants et des bébés.
- L'entretien ne doit être effectué que lorsque l'appareil est débranché du circuit électrique.
- Débranchez toujours l'appareil lorsqu'il n'est pas utilisé.
- N'utilisez pas l'appareil si le cordon d'alimentation ou la fiche sont endommagés, s'il ne fonctionne pas bien, ou s'il a été échappé ou endommagé d'une quelconque façon. Retournez l'appareil à un centre de service autorisé pour une inspection, des ajustements électriques ou mécaniques ou une réparation.
- N'utilisez jamais l'appareil à un endroit où il risque de tomber dans une baignoire ou tout autre réservoir contenant de l'eau.
- Ne passez pas le cordon d'alimentation sous un tapis. Ne recouvrez pas le cordon avec des tapis, des tapis de couloir ou autres revêtements similaires. Evitez de placer le cordon dans un endroit où il risque de causer des chutes.
- Branchez seulement dans une prise de courant adéquatement mise à la terre.
- N'insérez pas d'objets dans les ouvertures d'entrée d'air ou de sortie d'air puisque cela risque d'endommager l'appareil ou causer des chocs électriques ou un incendie.
- Pour prévenir les risques d'incendie, ne bloquez pas les entrées d'air et les sorties d'air de quelque manière que ce soit. Ne placez pas cet appareil sur une surface molle telle qu'un tapis où les ouvertures pourraient se bloquer.
- Branchez toujours les appareils directement dans une prise de courant. N'utilisez jamais de rallonge ou de prise électrique relogable (prise/barre d'alimentation).
- Assurez-vous de respecter les dégagements aux matériaux combustibles lorsque vous installez un manteau de températures élevées peuvent fondre, se déformer, se décolorer et entraîner des défaillances prématurées de ces appareils.

## TABLE DE MATIÈRES

1.0	INTRODUCTION	1.1	1.1	3
	DIMENSIONS	1.1	4	4
	LISTE D'APPROBATIONS	1.2	4	4
	INSTRUCIONS GÉNÉRALES	1.3	5	5
2.0	EMPLACEMENT DE L'APPAREIL	2.1	6	6
	DEBALLAGE ET VÉRIFICATION DE L'APPAREIL	2.1	6	6
	MISE À LA TERRE DE L'APPAREIL	2.2	6	6
3.0	INSTALLATION	3.1	7	7
	DÉGAGEMENTS MINIMAUX AUX MATÉRIAUX COMBUSTIBLES ET AUX TABLETTE	3.1	7	7
	INSTALLATION DE L'APPAREIL SUR LA MUR	3.2	8	8
	INSTALLATION ENCASTRÉ	3.3	9	9
	DÉGAGEMENT MINIMUM AUX COMBUSTIBLES	3.3.1	9	9
	OSSATURE	3.3.2	9	9
	INSTALLATION DU SUPPORT DE MONTAGE	3.3.3	10	10
4.0	FINITIONS	4.1	11	11
	INSTALLATION DES BRAISES DE VERRRE	4.1	11	11
	INSTALLATION DE LA FAÇADE VITRÉE	4.2	11	11
5.0	INSTRUCIONS DE FONCTIONNEMENT	5.1	12	12
	UTILISATION DE LA TÉLÉCOMMANDE	5.1	12	12
6.0	ENTRETIEN	6.1	12	12
	INSTALLATION DES PILES DU TÉLÉCOMMANDE	6.1	12	12
	BRANCHEMENT PAR CÂBLE	6.2	13	13
7.0	SCHEMA DE CÂBLAGE		14	14
8.0	RECHANGES		15	15
9.0	GUIDE DE DÉPANNAGE		16	16
10.0	GARANTIE		17	17
11.0	HISTORIQUE D'ENTRIETIEN		18	18
12.0	NOTES		19	19

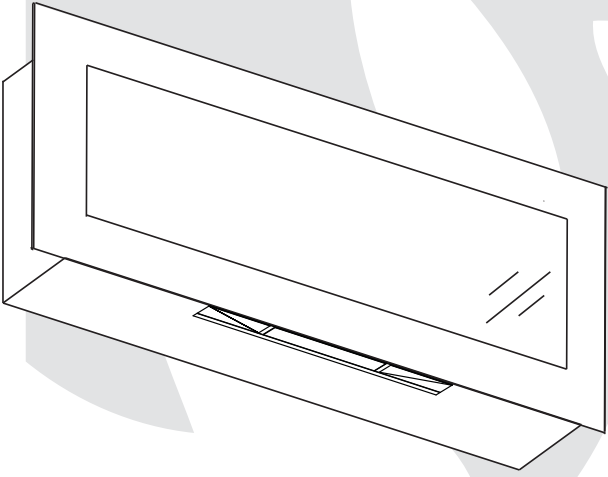
**NOTE:** Les changements autres que de nature éditoriale sont dénotés par une ligne verticale dans la marge.

INSTALLATEUR : LAISSEZ CE MANUEL AVEC L'APPAREIL.  
PROPRIÉTAIRE : CONSERVEZ CE MANUEL POUR CONSULTATION ULTÉRIEURE.  
NE LAISSEZ PAS LES ENFANTS OU AUTRES INDIVIDUS À RISQUE SEULS À PROXIMITÉ DE L'APPAREIL.

# INSTRUCTIONS D'INSTALLATION ET D'OPÉRATION



## EFL100 FOYER ÉLECTRIQUE



**AVERTISSEMENT**

LA VITRE CHAUDE CAUSERA  
DES BRÛLURES.  
NE PAS TOUCHER LA VITRE  
AVANT QU'ELLE AIT REFFROIDI.  
NE JAMAIS LAISSER LES  
ENFANTS TOUCHER LA VITRE.



**CONSIGNES DE SÉCURITÉ**

- N'entrez pas et n'utilisez pas d'essence ou autres liquides et vapeurs inflammables à proximité de cet appareil ou tout autre appareil.

Si ces instructions ne sont pas suivies à la lettre, un incendie ou une explosion pourraient s'ensuivre causant des dommages matériels, des blessures corporelles ou des pertes de vie.

Wolf Steel Ltd., 24 Napoleon Rd., Barrie, ON, L4M 0G8 Canada /  
103 Miller Drive, Crittenden, Kentucky, USA, 41030  
Téléphone 705-721-1212 • Télécopieur 705-722-6031 • www.napoleonfoyers.com • ask@napoleonproducts.com

10,00 \$

1.16C