

**NuTone®**

**Ventilation Fans**



**October 2008**

A man is shown from the back, showering. He is holding his hands to his face. A large, vertical, cylindrical showerhead is mounted on the wall, with water spraying from a circular showerhead at the bottom. The showerhead is a light grey or silver color. The background is a plain, light-colored wall.

# Leadership

Leadership is measured in all kinds of ways. At NuTone it's defined with innovative home amenity products that make life more comfortable. Trust us to develop it first, and develop it best.

# Silence

Silence is what consumers demand more than any other feature in a bath fan. We hear you, and proudly offer the Ultra Silent™ Series, the most quiet ventilation fans available. Proven in real-world installations, they deliver what we promise on the package.

# Style

Style can be difficult to define. What's compelling to one may be passe to another. NuTone solves the issue with a broad variety of product styles, finishes, and shapes—all designed around you.

**We don't build products.  
We build the industry.**



# Performance

Powerful operation is the ultimate test. And a clear bathroom mirror after a long relaxing shower is the true measure of bath fan performance. That's why NuTone engineers the right product for every type of application, room size and need.

# Selection

No one provides a broader selection of home ventilation products than NuTone. From the spot ventilation and heating solutions listed above to our beautiful ceiling fans, trust NuTone to improve the comfort of your family and home.

- 4-5** Selection Guidelines
- 6-7** Installation/Sizing Guide
- 8-9** Questions & Facts

## Single-function

- 10-13** Ultra Silent™ Fans
- 14** Bath Fans, Fan Upgrade Kit
- 15** Heavy Duty Fans, Radiation Dampers
- 16-17** Utility Fans
- 18-19** In-Line Fans

## Multi-function

- 20-21** Ultra Silent™ Fan Lights
- 22-25** Fan/Lights
- 25** Heavy Duty Fan/Lights
- 26-29** Heater/Fan/Lights

## Other

- 30-31** Wall Control Specifications
- 32** Wall Control Selection
- 33** Ducting Accessories
- 34-35** Specifications Matrix

NuTone makes the perfect ventilation fan for every home, decor and budget.

## What you should consider when buying a bath fan or home ventilation system.

Steamy mirrors, damp walls and fogged windows. They're more than annoying. They could indicate developing problems like mold and mildew, ruined insulation, and wood rot. Spot ventilation solutions from NuTone clear the air quickly and efficiently removing potential problems before they invite themselves into your home.

### What's in stays in today's airtight homes.

Today's homes are built airtight for efficiency. But that means moisture and airborne pollutants stay where they are unless they are vented away. Eliminating excess moisture keeps your home dry and comfortable and can help avoid mold and mildew. Volatile organic compounds (VOCs) "outgas" from construction materials such as plywood, carpet, fabric, paint, adhesive, insulation and other common items. Allergens, dust, cooking vapor and what the kids bring home from school are more reasons why good ventilation is critical.

### Which product is best suited to my application?

Take a moment to consider what you're looking for in a spot ventilation product. Do you want quiet operation, a powerful blower, decorative designs or something that's virtually invisible? Could you use more light, or ventilation in a walk-in closet? NuTone has what you need.

### Sones measure the "sound level" of your fan.

A sone is a measurement of sound in terms of comfortable hearing level for an average listener. The lower the sone value, the more comfortable the environment. Sones are not decibels or volume, but rather how sound is "sensed." One sone is half as loud as two sones, and is equivalent to a quiet refrigerator.

## Leadership

More than 70 years ago NuTone invented the spot ventilation industry. Today, NuTone is engineering and testing the next generation of ventilation solutions to keep your home and family comfortable.

### What "HVI certified" means to you.

The Home Ventilating Institute (HVI) is an independent organization that certifies the airflow and sound performance claimed by manufacturers of ventilation products. NuTone certifies every product through HVI to ensure the product you purchase will perform as claimed.

For more information visit [www.hvi.org](http://www.hvi.org).



### Energy Star: Conserve energy and energy expenditures.

If you're concerned about saving money and energy, choose NuTone bath fans that feature the Energy Star logo. These products use high efficiency motors and lighting that can reduce energy consumption by as much as 65%—all without sacrificing performance. Learn more about Energy Star at [www.energystar.gov](http://www.energystar.gov).



## Proper installation makes all the difference.

Tape or caulk around the seam where the fan housing meets the sheetrock on the ceiling.

If possible, use smooth, rigid ductwork as large as the exit opening on the body of the fan housing.

Whether rigid or flexduct, the turning radius for the duct should be as large as possible.

Whenever possible, ductwork should slope down and away from the fan housing to direct any condensation toward the vent.

Keyhole slots and alignment tabs facilitate installation, taking the guesswork out of proper mounting.

Elbows, turns, long ducts and ductwork smaller than the fan's exit outlet will reduce performance.

Use wide aluminum foil or duct tape to join smooth metal ductwork seams.

Do not let flexible ductwork sag as this impedes airflow.

During installation, orient the bath fan outlet in the direction of the home's exit point to minimize duct turns.

Before adding an elbow or bend, allow 24" to 36" of straight run from the fan outlet point.

Duct-wrap insulation (R-5 or above) will help minimize condensation in cold climates, especially on long duct runs.

Exit vents should have backdraft flaps to help keep cold air from entering the duct.

Quick guideline: For bathrooms up to 100 square feet, the HVI recommends ventilation of about 1 CFM per square foot (about eight air changes per hour). For bathrooms over 100 square feet, add up the needs of each fixture to determine the total ventilation rate:

- Toilet 50 CFM
- Shower 50 CFM
- Bathtub 50 CFM
- Jetted tub 100 CFM

## Easy steps for choosing and sizing the right ventilation fan for your home.

### Determine which rooms could use ventilation, and how much is needed.

**Spot ventilation** is used in localized areas to remove moisture, odor and airborne pollutants quickly. Most commonly used in the bath or powder room, spot ventilation can also be used in a laundry room, exercise area, closet, or bedroom, wherever air should be changed frequently. Decorative and recessed models can be ideal solutions for these situations. According to the Home Ventilating Institute, Air Changes per Hour (ACH) for comfortable and healthy living should be as follows: Bathrooms: 8 changes, Kitchens: 15 changes, Living/bedrooms: 6 changes. NuTone bath fans, utility fans and high capacity fans meet these needs.

### Calculate the air movement necessary for proper ventilation.

Air movement is measured in Cubic Feet per Minute (CFM). To determine CFM requirements, first determine the size of your room. Measure and multiply the length, width and ceiling height of your

room to determine cubic footage. Then use the multiplication factor of .13 and round up to the next "ten." See the three examples that follow.

## Performance

A good ventilation fan is the product of research, testing and listening to the needs of consumers. At NuTone we build these desires into ventilation products that provide the best mix of power, sound and quality for every budget.

Example 1: Bathroom with 8' ceiling: 7' wide x 9' long x 8' high x .13 = 66. Select a bath fan with at least 70 CFM.

Example 2: Bathroom with 9' ceiling: 10' wide x 9' long x 9' high x .13 = 105. Select a bath fan with at least 110 CFM.

Example 3: For a bathroom with a vaulted ceiling, use the average ceiling height at the wall and the peak: 8' wide x 12' long x ((8' at wall + 12' at peak) / 2 = 10') average height x .13 = 125. Select a fan(s) with at least 130 CFM.

### Account for long duct runs and ductwork that turns before it reaches the exterior vent.

When airflow is restricted in any way it slows down. Just as a car must slow down for a sharp corner, air decelerates when going through a turn in a duct run. Whenever possible, create a straight duct run with large radius turns, if they're necessary at all. Rigid ductwork is optimal because airflow restriction is minimized. Flexible tubing may be convenient to install, but resistance is created as air is moved over the spiral metal frame of the tubing. With long duct runs or ducts with multiple turns the fan works harder, noise increases and fan performance (CFM) is compromised. Select a fan model with an even greater CFM ratio to compensate.

## 6" ducting overcomes most performance-related installation issues.

NuTone's QTX Series fans deliver high performance in virtually any real-world installation. They are engineered with a 6" duct connector for peak air movement and extremely quiet operation, even when the duct run is not short and straight.

# Everything you need to know about home ventilation.

### **What is a sone, and how is it measured?**

A sone is a measurement of sound in terms of comfortable hearing level for an average listener. The lower the sone value, the more comfortable the listening environment. Sones are not decibels or volume, but rather how sound is “sensed.” One sone is the equivalent of a quiet refrigerator.

### **What does CFM mean?**

CFM is the acronym for Cubic Feet per Minute—the measure of air volume moved by the fan blower. Choose a fan with a CFM rating appropriate for your room size to ensure adequate ventilation.

### **What is continuous ventilation?**

Continuous ventilation provides today’s airtight homes with a relatively constant and controlled lower level of ventilation. NuTone’s extremely quiet and efficient Ultra Silent™ Series is ideally suited for these applications.

### **Can I mount NuTone fans above my tub and shower?**

Most NuTone fans are rated for use over a shower or bathtub with a GFCI (Ground Fault Circuit Interrupter).

### **Can my ceiling fan be surrounded by insulation?**

Yes. NuTone bath fans are designed to provide adequate cooling for motors and lighting, as well as products with integral heaters.

### **Will NuTone Fans work in wall-mount applications?**

Some NuTone bath and utility fans may be wall mounted. See the spec matrix for specific models. Improper installation may affect fan life, safety and your warranty.

### **Will a ceiling fan or wall-mount utility fan serve as a range hood?**

No. Range hoods are specifically designed to handle grease and high temperature environments. NuTone bath fans supplement odor and moisture removal in the kitchen, but are not intended for use as a range hood.

### **What does “static pressure” mean?**

Static pressure is the measurement of airflow resistance as it is pushed through ductwork which reduces the effectiveness of the fan. Learn more on the Home Ventilating Institute web site [www.hvi.org](http://www.hvi.org).

## Air Quality

NuTone has long been a leader in indoor air quality solutions. Our spot ventilation products for bathrooms and kitchens control problems at the source. For whole-house filtration and ventilation, our fresh air systems set the standard.

### **How long should a bath fan run after a shower is used?**

The Home Ventilating Institute recommends that a fan should be left on for 20 minutes more to clear humidity adequately and to ensure moisture and condensation in the fan body or ducting is minimized.

### **What should I do if I can’t wait for moisture to clear, but I don’t want a fan to run all day long?**

NuTone has sensing fans that detect the humidity rise caused by a shower and turn on automatically—when moisture has cleared it turns off. Some wall controls also give you the

option of humidity sensing, or timer control. Just set it and forget it.

### **What are the timer features?**

Delay-off timers automatically shut your fan off after a specified time interval. It’s a nice feature in high traffic bathrooms where you may wish to let the fan run to clear moisture adequately. A timer counts down the minutes of fan operation selected by the user.

### **Where should the exhaust fan be located?**

Exhaust fans should be located in or near the shower or tub, and in an enclosed water closet. Keep exhaust points opposite the supply air source to ensure that the fresh air is drawn through the room. Bathroom doors should not be sealed too tightly at the bottom in order to allow “make-up air” to enter the room when the door is closed.

### **How do I size a fan properly for my room size and the duct run?**

See the sizing guidelines on page 7 for details on proper sizing. This section provides an explanation and examples to help you make the right decision.

### **Where is the exhaust outlet on the ventilation fan?**

The exhaust outlet is the point where air is discharged through the body of the fan housing into the ductwork. During installation, orient your fan with the exhaust outlet pointing toward the exit vent on your roof or wall to minimize turns in ductwork that impede airflow.



## Why do the windows and mirrors fog even when the fan is running?

If windows and mirrors are very cold, condensation can still form on these surfaces. And if your bathroom is sealed tightly, replacement air may not be entering the room fast enough to displace the moist air. Be sure to undercut your door sufficiently to draw fresh air into the room. Fan placement can also be a factor. Your fan should be located far from the replacement air source to ensure the moist air is drawn out first. Finally, too many twists and turns in the ducting will significantly reduce the ability of the blower to remove moist air. Make sure your ductwork is as short and straight as it can be, with gradual turns rather than tight corners where necessary.

## Why is water dripping from the grille of the fan?

Dripping water is either condensation (usually due to cold ductwork or improper duct installation), or a problem with the seal on a wall or roof vent. Insulated ductwork can help solve condensation problems, and running the fan longer will ensure moisture is completely removed from the duct. Ductwork should slope down toward a wall vent to direct condensation out of the exterior vent opening rather than back into the fan housing.

## Can I install a heater over the bathtub or in a shower?

No. Heaters are not UL Listed (Underwriter's Laboratory) for installation over a bathtub or in a shower.

## Can I use an inline or multi-port fan in one large bathroom?

Yes, this works the best for large rooms because you can install the ports over the areas where the ventilation is needed the most (source control). The size of the multi-port would be determined by the size of the room.

## Does a duct-free bath fan expel air?

No. A duct-free fan is not a ventilating device. It does not remove air from the room.

## Style

Style is a curious thing. To each individual it is something different. So NuTone makes a range of unique products—some that stand out, others that blend in. But all suit every sense of style beautifully.

## Can I use a smaller diameter duct than what the fan is designed for?

This is not recommended. It will cause the fan to run harder, greatly reducing the CFM performance of the fan and create excess noise.

## Can larger diameter ducting be used with my bath fan?

Yes, larger diameters will result in improved performance.



## What type of duct is recommended, rigid or flexible?

It is recommended, where possible, to use rigid duct. It has less resistance to air flow and allows the fan to operate much more efficiently. If flexible duct is used, be sure the duct is as straight as possible.

## Can I exhaust my fan into my attic instead of out the roof or wall?

Never exhaust air into spaces within walls, ceilings, attics, crawl spaces or garages. The humidity may damage the structure and insulation.

## What type of exhaust fan is best for a sauna or hot tub area?

High CFM-rated devices are normally recommended for this type of application.

## Can I use a fan in a steam shower?

No. Since these are normally sealed chambers, a vacuum will be created.

## Can I vent more than one bath fan out of a roof or wall cap?

No. Always follow the manufacturer's recommended ventilation requirements.

**NuTone Ventilation Fans—Ultra Silent™**



**Model QTXEN Humidity Sensing Fan, page 12**



**Model QTXEN Humidity Sensing Fan/Light, page 20**



**Model QTXEN Fans, page 13**



**Model QTXEN Fan/Lights, page 21**

## Quiet is good. Virtual silence is better.

### The NuTone Ultra Silent™ Series.

There's a time for noise and excitement, and there's a time for more simple pleasures. The peaceful moment needn't be lost simply because your bath ventilation fan is uncomfortably loud. The ultra-quiet NuTone Ultra Silent™ Series solves everything.

### Lower sones and more power.

The NuTone Ultra Silent™ Series started with a clean slate. We redesigned everything from the motor to the wheel to the housing,

all to reduce operating noise. An exciting new selection of high-style grilles will discretely complement your bathroom or make a bold

design statement. Whether you choose a bath fan, a fan/light or a combination heater/fan/light, NuTone has an ultra quiet solution for every concern.

## Silence

Minimizing sound is best achieved by engineering the product correctly for real-world installations.

NuTone's QTX Series is designed with efficient blowers and 6" ducting that will not restrict airflow.

### How quiet is Ultra Quiet?

A newer refrigerator generates about 1 sone, while a normal conversation is about 2 sones. NuTone's Ultra Silent™ Series products are as quiet as <0.3 sones. They're the quietest fans available and deliver the power you expect for any room size.



Models QTRN and QTREN Fans, page 13



Model QTREN Fan/Lights, page 21



Model QTRN Fan/Lights, page 21



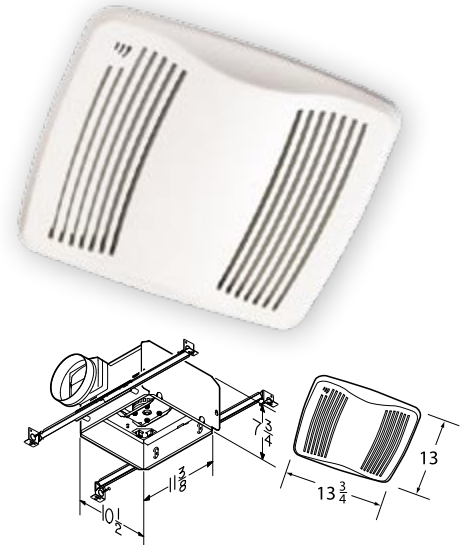
Model QTXN Heater/Fan/Light, page 26



You have simple needs.  
NuTone has simply everything.

**Ultra Silent™ Humidity Sensing Fan with Sensaire® technology.** Sensaire® technology detects rapid increases in moisture levels at the ceiling, where steam and humidity naturally rise. A humidity sensing fan is ideal for anyone who leaves the house before humidity is properly vented. With a fan this quiet, we included automatic shutoff to save worry, and money.

#### QTXEN110S Model



#### Hands-free solutions to fighting excess humidity and mold.

NuTone's Ultra Silent™ humidity sensing fan turns the fan on and off automatically to help prevent cosmetic and possible mold problems associated with excess moisture.

- Detects the rapid rise in humidity
- Humidity sensed at the ceiling level
- Easily accessible sensitivity adjustment
- Easy-to-set shut-off timer: 5–60 min.
- 0.7 sones, 110 CFM
- 6" ducting for superior performance
- UL Listed for use over tub or shower when installed in a GFCI protected branch circuit
- Includes hanger bar system for fast and flexible installation for all types of construction.
- Energy Star qualified
- HVI Certified
- Fits 2" x 8" ceiling construction

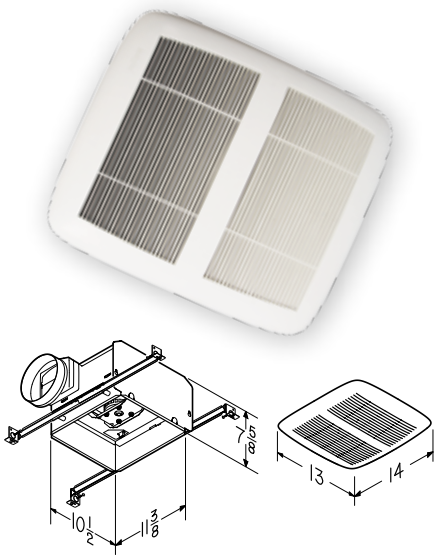
# NuTone Ventilation Fans—Ultra Silent™ Series

**NuTone Ultra Silent™ Series Bath Fans.** A bath fan needn't call attention to itself, especially when you don't want it to overpower the design of your bath or powder room. More important, it shouldn't call attention to itself when it's working. So we developed the Ultra Silent™ Series to provide our quietest bath fans yet. With an energy efficient option, it simply does its job quietly, in every sense of the word.

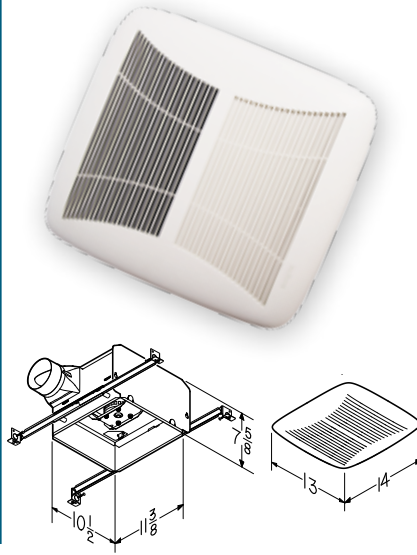
## QTXEN, QTREN and QTRN Fan Features

- Nearly silent operation <0.3 to 1.4 sones
- 50 CFM to 150 CFM
- QTXEN features 6" ducting for superior performance
- QTREN and QTRN models feature 4" ducting
- QTXEN and QTREN models are Energy Star qualified
- UL Listed for use over tub or shower when installed in a GFCI protected branch circuit
- QTXEN, QTREN and Housing Packs include hanger bar system for fast and flexible installation for all types of construction
- HVI Certified
- Fits 2" x 8" ceiling construction

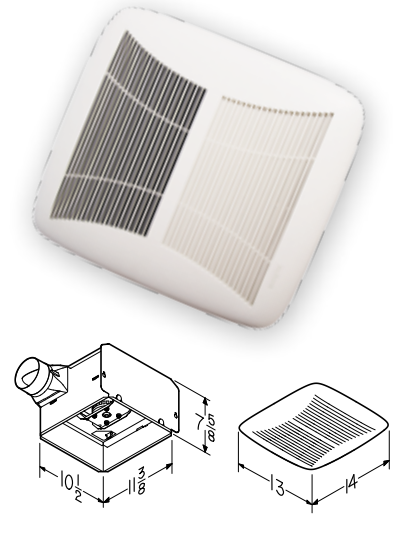
### QTXEN Models



### QTREN Models



### QTRN Models



Fan Model	CFM	Sones	Energy Star	Bath Sq. Ft.	Ducting
QTXEN050	50	<0.3	Yes	45	6"▲
QTXEN080	80	0.3	Yes	75	6"▲
QTXEN110	110	0.7	Yes	100	6"▲
QTXEN110S*	110	0.7	Yes	100	6"▲
QTXEN150	150	1.4	Yes	140	6"▲
QTREN080	80	0.8	Yes	75	4"
QTREN110	110	1.3	Yes	100	4"
QTRN050+	50	0.4	—	45	4"
QTRN080	80	1.0	—	75	4"
QTRN110	110	1.5	—	100	4"



Energy Star fans use 65% less energy, on average, than standard models and may qualify for local utility rebates.

▲ See page 41 for 6" ducting (DT6W) product specifications.

\* Humidity Sensing

+ Only available in Project Packs

### Project Packs Available for QTREN and QTRN models

To simplify installation, Project Packs are available with either four fan or fan/light housings only. When drywall work and painting is complete, the fan components needed to finish the job are available in single packs under separate model numbers. These finish kits include the motor plate, motor, wheel and grille. See the matrix below for Project Pack order information.

Project Pack	Kit number:	For model:
<b>Four-pack of FAN housings only:</b>	QTXRN000HF	
<b>One-pack finish kits for FAN models:</b>	QTREN080F	QTREN080
	QTREN110F	QTREN110
	QTRN050F+	QTRN050+
	QTRN080F	QTRN080
	QTRN110F	QTRN110

\*Only available in Project Packs



QTRN050F+  
QTRN080F  
QTRN110F  
QTREN080F  
QTRN110F

QTXRN000HF



# NuTone Ventilation Fans—Fan Upgrade Kit/Bath Fans/Duct-free

## 690NT Bath Fan Upgrade Kit

The NuTone bath fan upgrade kit lets you convert your old bath fan to a brand new unit in just 10 minutes. Improve performance, reduce the sound level, and upgrade the appearance of your economy fan in minutes.

- Cut sound levels up to 50%
- Boost air movement up to 20%
- 10 minute installation
- 60 CFM, 3.0 Sones
- Modern white grille
- No special tools needed

Two motor plates, depending on your fan model.

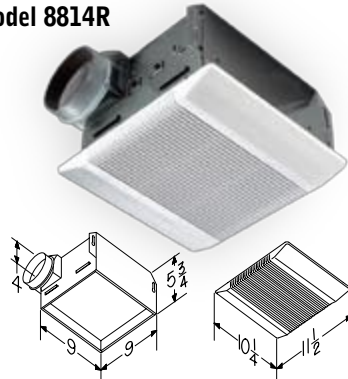


## NuTone 690NT Upgrade Kit replaces the models below:

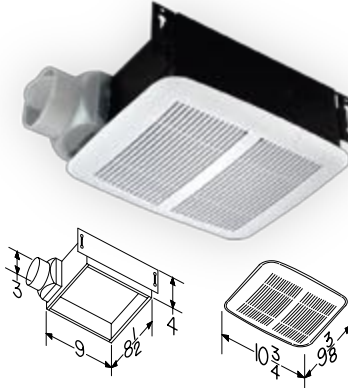
If your grille looks like this:	The fan is very likely one of these models:	Housing dimensions:
	NuTone 693, 695, 696N	7½" x 7¼" or 8" x 7¼"
	Broan 670, 671, 688, 689	7½" x 7¼"
	Nautilus N671, N688	Not compatible with 8"x8¼"

- 80 to 110 CFM
- Centrifugal blower wheel and 4-pole motor deliver high exhaust capacity at low sound levels
- Mounting flanges with keyhole slots for fast installation
- White polymeric grille with torsion spring mounting

### Model 8814R

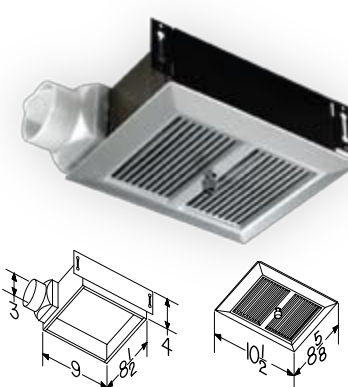


### Model 8832WH



- White polymeric grille with torsion spring mounting
- Fits 2"x4" construction

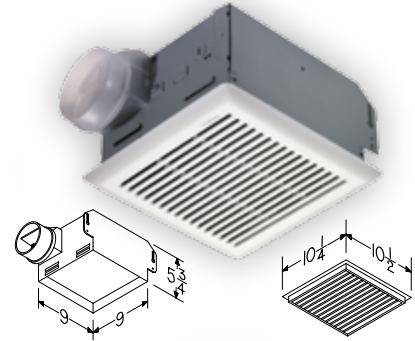
### Model 8832SA



- Silver anodized aluminum grille
- Fits 2"x4" construction

Model	CFM	Sones	Notes
8832WH	80	2.5	Not UL tub & shower
8832SA	80	2.5	Not UL tub & shower
8814R	110	4.0	

## Model 671R & 672R



## Model 695 & 696N



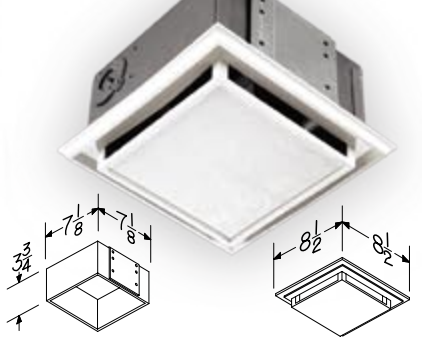
- 50 to 110 CFM centrifugal blower wheel
  - Double-strength steel mounting flanges with keyhole slots for fast installation
  - Metal grille kits for 695 & 696N S97011308
  - UL Listed for use over tub or shower when installed in a GFCI protected branch circuit
- \*All models available in Project Packs

Model	CFM	Sones	Notes
671R	90	3.0	Wall/Ceiling mount
672R	110	4.0	Wall/Ceiling mount
695	70	6.0	Wall/Ceiling mount
696N	50	4.0	Wall/Ceiling mount

## Duct-free

This easy-to-install solution is ideal where ventilation is needed but ducting is not possible. Use in half baths or rooms where humidity isn't a concern.

## Model 682NT



- Patented, fast snap-in metal housing installation
- Fan circulates air past replaceable activated charcoal filter model 97009563
- Fits 2"x4" ceiling or wall construction

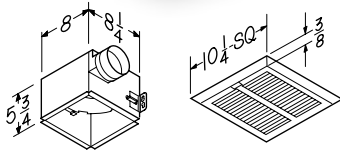
## For heavy-duty ventilation,

NuTone has powerful solutions. Heavy-duty ventilation fans are ideal for high-traffic bathrooms including light commercial installations and offices where operation continues throughout the day. These hard-working, quiet fans feature sealed, long-life bearings that never require lubrication. Durable, enameled metal grilles are easy to clean and resist breakage.

## HD80NT and HD50NT Features

- Durable, quiet, centrifugal blower wheel
- Totally enclosed motor design for continuous operation
- Lasts up to three times longer than residential units
- UL Listed for use over tub or shower when installed in a GFCI protected branch circuit

## Model HD80NT & HD50NT



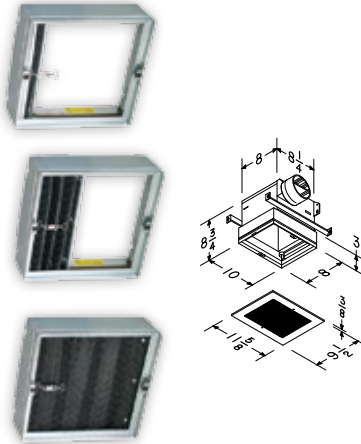
Model	CFM	Sones	Notes
HD50NT*	50	1.5	Heavy-duty motor
HD80NT	80	2.5	Heavy-duty motor



\*Energy Star qualified.

## Radiation/Fire Damper Fan Project Packs

A fire resistant screen automatically closes when excessive heat is detected. The breakaway fusible link triggers the closing of the radiation damper's fire resistant screen to prevent smoke and fire from traveling through the ductwork.



- UL Classified (UL Standard 555C) for use in 1-, 2-, 3-hour fire-rated floor-ceiling or roof-ceiling designs
- 165° fusible link
- Galvanized Steel Frame
- Stainless steel negator-type closure spring
- Available as Project Packs

## Project Finish Packs include:

- Assembled motor plate, wheel and plug-in motor
- Rugged metal grille for added durability

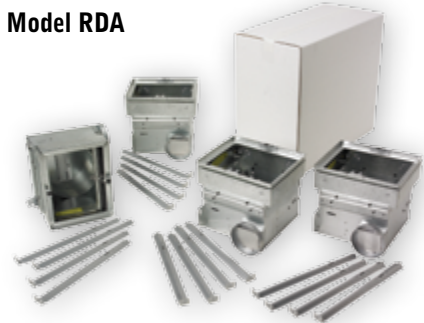
## Models 80RDB, 110RDB, HD50RDB and HD80RDB



## Project Housing Pack includes:

- Rough-in housing with attached radiation/fire damper
- Adjustable hanger bars that span up to 24"
- 4" metal duct connector with damper

## Model RDA



Model	CFM	Sones	Notes
RDA	—	—	Housing four-pack
80RDB	80	2.5	Finishing four-pack
110RDB	110	4.0	Finishing four-pack
HD50RDB	50	1.5	Finishing four-pack
HD80RDB	80	2.5	Finishing four-pack





Powerful solutions for problem rooms.





# NuTone Ventilation Fans—Utility

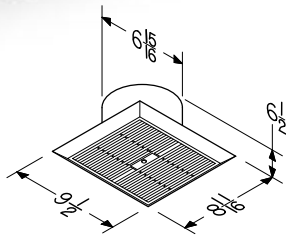
Eliminate humidity or tobacco smoke from recreation rooms, workshops, or cooking odors with these powerful utility ventilators. All feature powerful, permanently lubricated motors and rugged steel housings.

## Ceiling Mount – Vertical Discharge

### Model 686



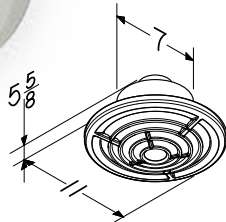
- 686 7" vertical discharge
- White polymeric grille



### Model 8210



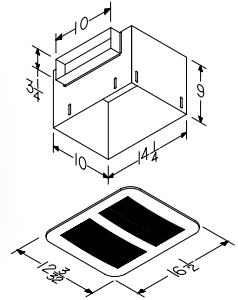
- 8" vertical discharge
- Fan installs in the ceiling and ventilates directly through the roof with round ducting
- Paintable engineered resin grille installs with a single screw
- Adjustable hanger bars for 16" or 24" O.C. joists
- Motor mounting bracket has two slots that slide over two mounting screws on sleeve for faster installation
- Specially designed transition-type housing reduces diameter of discharge opening to fit 7" round duct; no reducer is needed



Wall/Ceiling	CFM	Sones	Duct	Notes
<b>686</b>	80	6.0	7"	Vertical
<b>8210</b>	210	6.5	7"	Vertical
<b>8310</b>	160	5.0	3-1/4" x 10"	Rectangular Duct
<b>QT200</b>	200	2.0	3-1/4" x 10"	Rectangular Duct
<b>QT300</b>	300	4.5	3-1/4" x 10"	Rectangular Duct

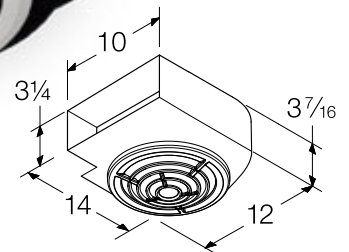
## Wall/Ceiling Mount – Vertical/Side Discharge

### Model QT200 & QT300



- Sturdy brown-enameled steel housing is lined with sound-deadening foam for quiet operation
- Low RPM motor plugs into prewired junction box
- Motor and twin blowers dynamically balanced for smooth, quiet operation
- Vents horizontally or vertically with 3 1/4" x 10" duct
- Duct collar with quiet backdraft damper included
- Installs easily between 16" O.C. joist with slotted mounting bracket. Slots on housing sides provide alternative mounting
- Wiring knockouts located on top and back of housing
- Not for use in kitchens

### Model 8310



- 8" side discharge
- Paintable engineered resin grille installs easily
- Motor assembly offers fast easy "twist-lock" installation
- Specially designed fan blade stays in balance – will not distort
- Installs easily in walls or ceiling
- Built-in backdraft damper
- Fits 3 1/4" x 10" duct
- Adjustable mounting brackets span from 14" to 24" O.C. joist

# NuTone Ventilation Fans—In-Line

**Remote Mounted In-Line Ventilation Fans** are quiet and efficient residential solutions. The concept is simple: mount a high-performance ventilator in an out-of-the-way spot and you get the power with virtually no sound. Install the housing in the attic or the basement, wherever it's most convenient and discrete.

### In-Line Ventilators Features

- Energy-efficient, permanently lubricated motors
- High pressure centrifugal blowers easily accommodate long duct runs
- Designed for quick, easy installation
- HVI certified and AMCA licensed
- Suitable for intermittent or continuous ventilation applications
- Removable panel offers easy access to the electrical connections

### In-Line Fans / Radon Mitigation

- Great solution for large, open spaces
- Install in virtually any orientation

#### Model ILF120



#### Model ILRF



- Radon Mitigation
- UL Listed for commercial applications

Model	CFM	Duct Size
ILF-120	110	4"
ILF-130	130	5"
ILF-250	250	6"
ILF-360	360	8"
ILF-530	530	10"
ILRF*	150	4" or 5"

\*ILRF rated 150 CFM at 0.2" WG, 50 CFM at 1.5" WG.

### In-Line Fan Kits

- Kits include all components to install a single dual point exhaust system (except wall control, wire and ducting)
- Each kit includes fan, grille, damper and duct clamps
- Model ILFK 250-2 contains 2 grilles (CVG6) and 3-way 6" Y adapter (model FY6)

#### Model ILFK-250-2



### In-Line Fan Kits

Model	CFM	Duct Size
ILFK-120	110	4"
ILFK-130	130	5"
ILFK-250	250	6"
ILFK-250-2	250	6"



# NuTone Ventilation Fans—In-Line

## Accessories



Grilles/Intakes	Duct Size	Notes
<b>CVG4</b>	4"	Round Grille
<b>CVG6</b>	6"	Round Grille
<b>CVL4</b>	4"	Sleeve
<b>CVL6</b>	6"	Sleeve

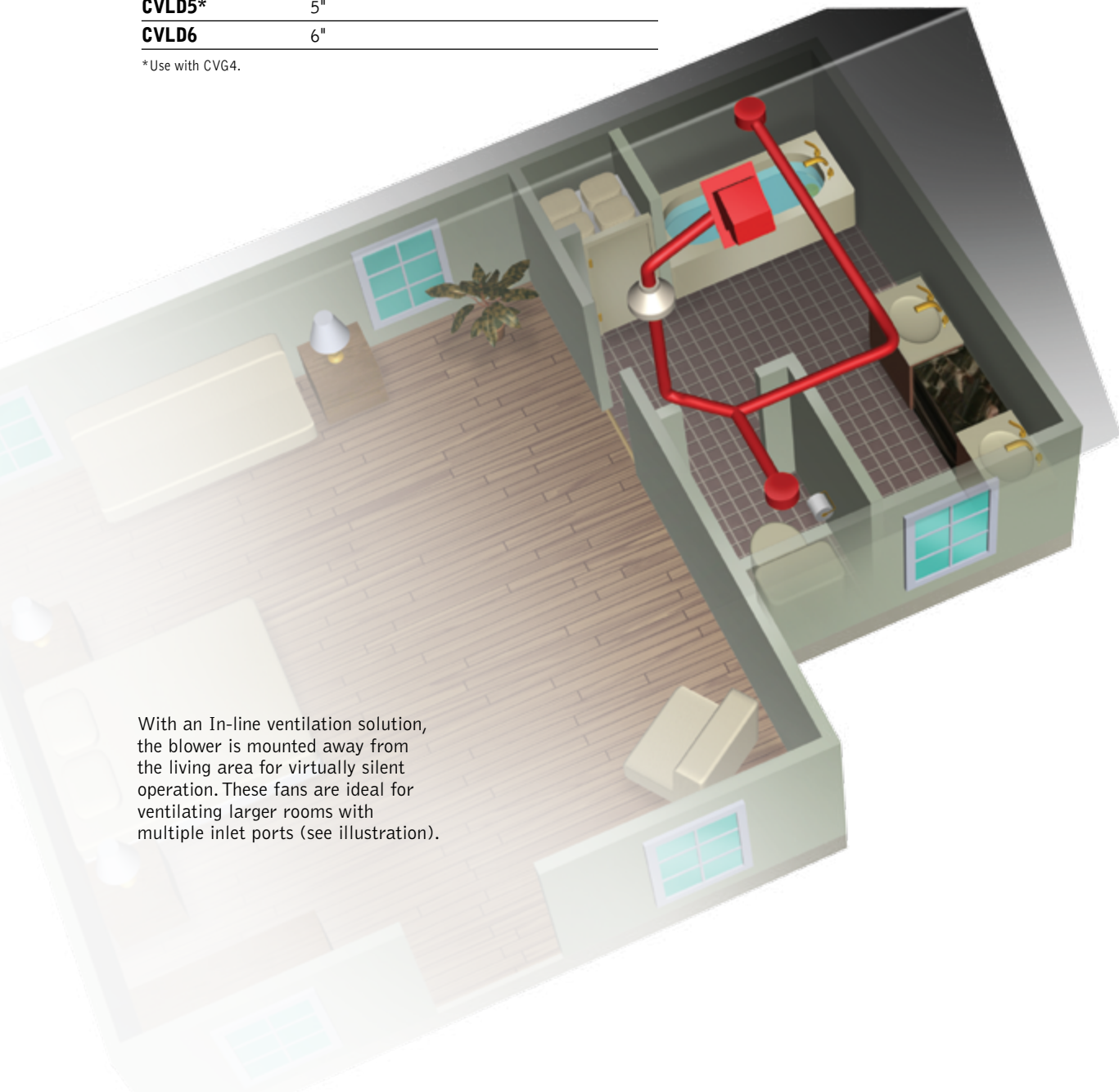
## Y Adapters Only

Model	Size
<b>FY6</b>	6" x 6" x 6"
<b>FY86</b>	8" x 6" x 6"

## Dampers Only

Model	Size
<b>CVLD4</b>	4"
<b>CVLD5*</b>	5"
<b>CVLD6</b>	6"

\*Use with CVG4.



With an In-line ventilation solution, the blower is mounted away from the living area for virtually silent operation. These fans are ideal for ventilating larger rooms with multiple inlet ports (see illustration).

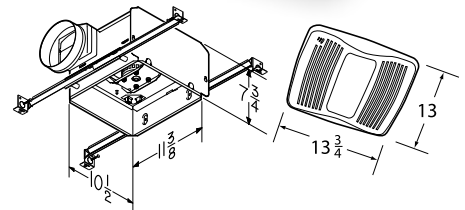
## NuTone Ventilation Fan/Lights—Ultra Silent™ Series

If you listen very closely, you'll discover it's also a ventilation fan.

### Ultra Silent™ Humidity Sensing Fan/Light with Sensaire® technology.

Sensaire® technology detects rapid increases in moisture levels at the ceiling, where steam and humidity naturally rise, and automatically turns the fan on. With a fan this quiet, automatic shutoff saves worry, and money. Sensaire® technology is a perfect solution for high traffic bathrooms, the kids' bathroom or for anyone who leaves the house before humidity is properly vented.

### QTXN110SL & QTXEN110SFLT Models



### Hands-free solutions to fighting excess humidity and mold.

NuTone's Ultra Silent™ humidity sensing fan/lights turn the fan on and off automatically to help prevent cosmetic and possible mold problems associated with excess moisture.

- Detects the rapid rise in humidity
- Humidity is sensed at the ceiling level
- Easy-to-set shut-off timer: 5–60 minutes
- QTXEN110SFLT: 42-watt fluorescent bulb (bulb included)
- QTXN110SL: 100-watt incandescent lighting (bulb not included)
- 4-watt nightlight (bulb not included)
- 6" ducting for superior performance
- UL Listed for use over tub or shower when installed in a GFCI protected branch circuit
- Includes hanger bars for fast, flexible installation in all types of construction
- HVI Certified
- Type IC

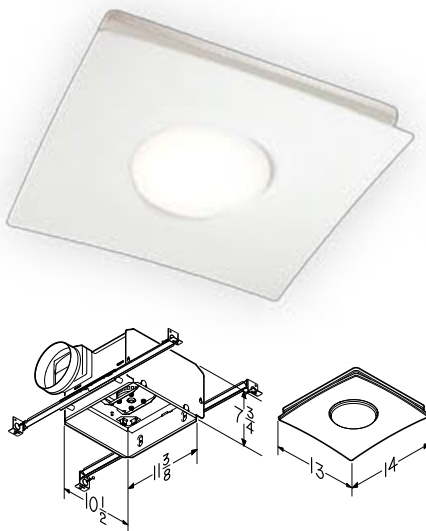
# NuTone Ventilation Fan/Lights—Ultra Silent™ Series

**NuTone Ultra Silent™ Series Fan Lights.** The Ultra Silent™ line represents the ultimate in bath fan solutions for today's homes. Select an Ultra Silent™ fan/light to bring elegance to any bath or powder room. Whether by sight or by sound, you'll barely notice the Ultra Silent™ line. Except, of course, when you need the right amount of ventilation and light at the touch of a switch.

## QTXEN, QTREN and QTRN Fan/Light Features

- Nearly silent operation 0.3 to 1.4 sones
- 80 CFM to 150 CFM
- QTXEN models feature 6" ducting for superior performance
- QTREN and QTRN models feature 4" ducting
- QTXEN and QTREN models are Energy Star qualified
- Bright, energy efficient 42-watt fluorescent bulb included with QTXEN and QTREN models
- 100-watt lighting from an incandescent bulb on QTRN models
- 4-watt nightlight on all models
- QTXEN, QTREN and Housing Packs include hanger bar system for fast and flexible installation for all types of construction
- UL Listed for use over tub or shower when installed in a GFCI protected branch circuit
- HVI Certified
- Motor engineered for continuous operation
- Type IC
- Fits 2" x 8" ceiling construction

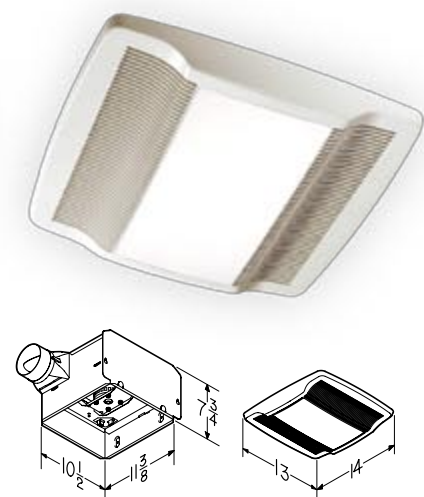
### QTXEN Models



### QTREN Models



### QTRN Models



Model	CFM	Sones	Light/ Nightlight	Energy Star	Title 24 Compliant	Duct
QTXEN080FLT	80	0.3	42W <sup>♦</sup> / 4W	Yes	Yes	6" ▲
QTXEN110FLT	110	0.7	42W <sup>♦</sup> / 4W	Yes	Yes	6" ▲
QTXEN110SFLT*	110	0.7	42W <sup>♦</sup> / 4W	Yes	Yes	6" ▲
QTXEN150FLT	150	1.4	42W <sup>♦</sup> / 4W	Yes	Yes	6" ▲
QTXN110SL*	110	0.9	100W <sup>■</sup> / 4W	—	—	6" ▲
QTREN080FLT	80	0.8	42W <sup>♦</sup> / 4W	Yes	Yes	4"
QTREN110FLT	110	1.3	42W <sup>♦</sup> / 4W	Yes	Yes	4"
QTRN080L	80	1.0	100W <sup>■</sup> / 4W	—	—	4"
QTRN110L	110	1.5	100W <sup>■</sup> / 4W	—	—	4"



Energy Star fans use 65% less energy, on average, than standard models and may qualify for local utility rebates.

▲ See page 41 for 6" ducting (DT6W) product specifications.

\* Humidity Sensing

■ Incandescent bulb. ♦ Fluorescent bulb.



Fluorescent lighting is Title 24 compliant.



### Project Packs Available for QTREN Models

To simplify installation, Project Packs are available with either four fan or fan/light housings only. When drywall work and painting is complete, the fan components needed to finish the job are available in single packs under separate model numbers. These finish kits include the motor plate, motor, wheel and grille. See the matrix below for Project Pack order information.

Project Pack	Kit number:	For model:
Four-pack of FAN/LIGHT housings only:	QTXRN000HL	
One-pack finish kits for FAN/LIGHT models:	QTREN080FLT	QTREN080FLT
	QTREN110FLT	QTREN110FLT



## NuTone Ventilation Fan/Lights—Decorative

**A beautiful balance of elegance and performance.** Now you can ventilate while adding quiet elegance and exceptional design to your bathroom or any other room in your home. The NuTone series of decorative fan/lights delivers quality ventilation performance and complements your room with beautifully styled glass globe lighting. These fan/lights are available in five, corrosion-resistant decorator finishes: oil-rubbed bronze, antique crackle nutmeg, satin nickel, white, and polished brass.

### Decorative Glass Light Fixture/Fans Features

- 70, 80 and 100 CFM models
- 3.5 sones or quieter 2.5 sone models
- Corrosion-resistant finishes
- Beautifully styled glass globe
- Plug-in lighting fixture and permanently lubricated motor
- Two 60-watt max incandescent bulbs (not included)
- 741WHFLNT uses two 13-watt fluorescent bulbs
- Polymeric blower wheel
- Rugged steel housing finished with electrically bonded epoxy paint
- Sturdy, keyholed mounting brackets for quick, accurate installation
- Fits in 2" x 6" ceiling construction
- Tapered, polymeric 4" round duct fitting for easy, positive duct connection and no metallic clatter
- Type IC

Model 754SNNT



Model 754RBNT



Models 757SNNT



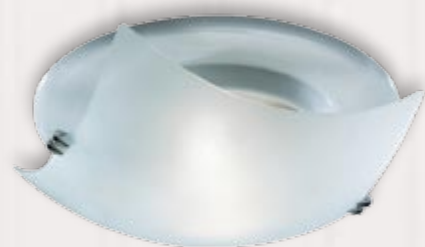
Model 761WHNT



Model 768CHNT



Model 758NT



# NuTone Ventilation Fan/Lights—Decorative

Model 741BRNT



Model 741SNNT



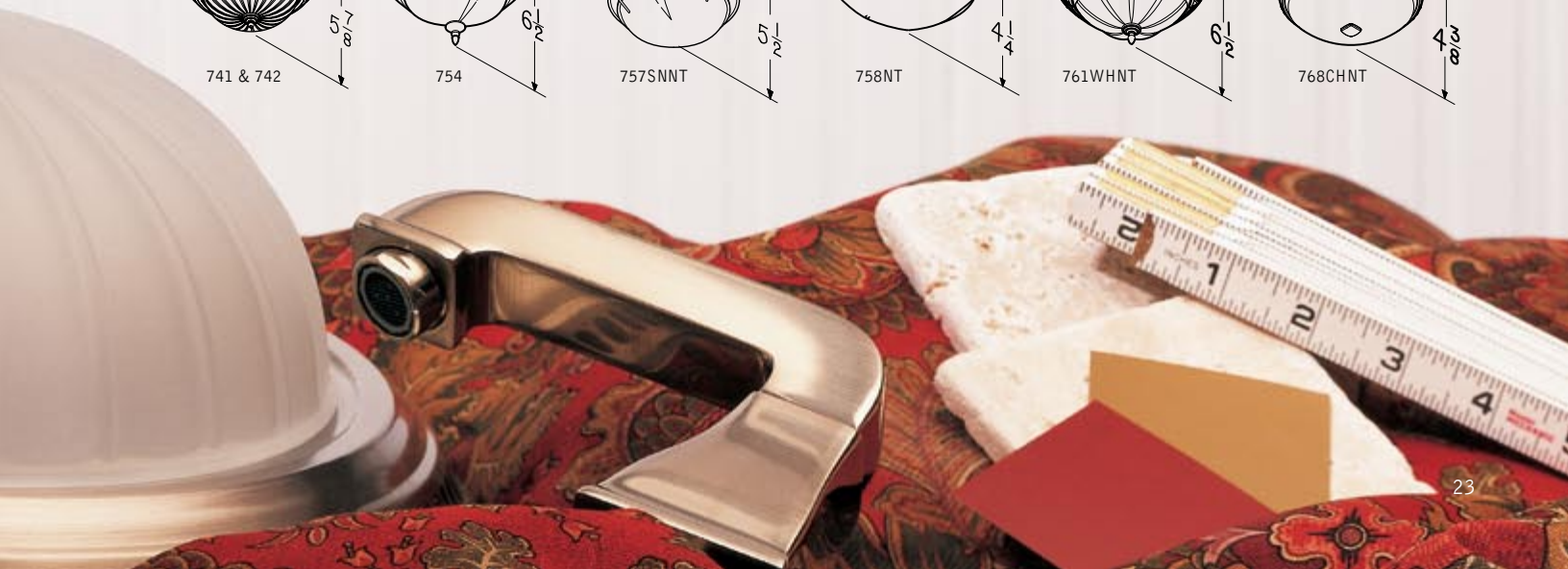
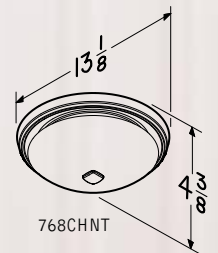
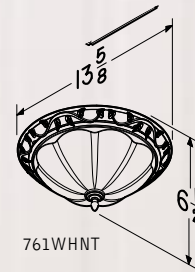
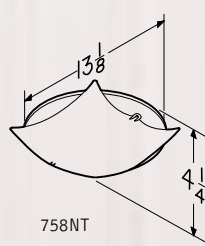
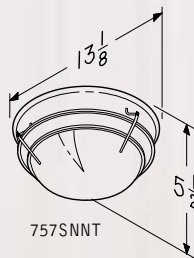
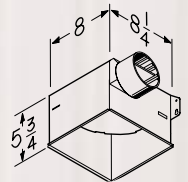
Model 741WHNT & 741WHFLNT



Model 742RBNT



Model	CFM	Sones	Lighting	Bulb Type	Finish
741BRNT	70	3.5	2-60W Incandescent	Standard	Polished Brass
741WHNT	70	3.5	2-60W Incandescent	Standard	Gloss White
741WHFLNT	70	3.5	2-13W Fluorescent	Tube	Gloss White
741SNNT	70	3.5	2-60W Incandescent	Standard	Satin Nickel
742RBNT	70	2.0	2-60W Incandescent	Standard	Oil-rubbed Bronze
754SNNT	70	3.5	2-60W Incandescent	Candelabra	Satin Nickel
754RBNT	70	3.5	2-60W Incandescent	Candelabra	Oil-rubbed Bronze
757SNNT	80	2.5	2-60W Incandescent	Candelabra	Satin Nickel
758NT	70	3.5	2-60W Incandescent	Candelabra	White
761WHNT	100	3.5	2-60W Incandescent	Candelabra	White
768CHNT	80	2.5	2-60W Incandescent	Candelabra	Polished Chrome



# NuTone Ventilation Fan/Lights—Decorative

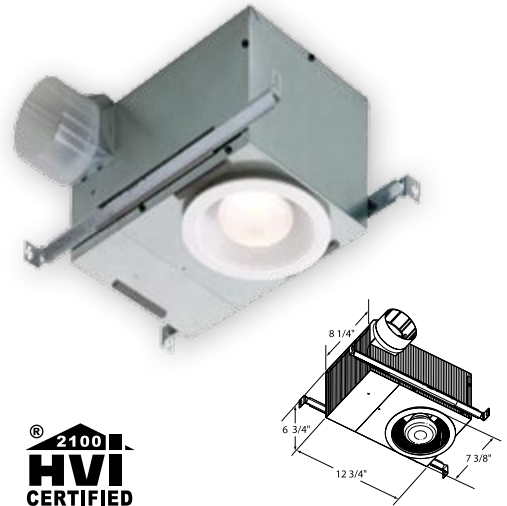
You'd never know it's a fan,  
and that's the point.

**Recessed lights are popular lighting solutions.** But NuTone took it a step further by incorporating powerful ventilation in the same design. Our new fan lights disappear into the ceiling with other recessed lights, so they are practical decorating solutions for any room in the house. In the bath they control humidity, and in a utility room, kitchen or high-traffic family room they keep the air fresh and comfortable.

## Recessed Fan Light

- High efficiency centrifugal fan delivers 70 CFM at 1.5 sones
- Trim matched to designs of major recessed light manufacturers
- Multiple units can be used in larger rooms
- Model 744NT uses a 75-watt bulb, either R30 or BR30 for standard applications
- Model 744FLNT uses a 14-watt R30 shaped fluorescent bulb (bulb included)
- UL Listed for use over tub or shower when installed in a GFCI protected branch circuit. Model 744NT also requires a PAR30L or PAR30LN type bulb
- 6-3/4" high housing appropriate for new construction and 2" x 8" ceiling joists
- 4" round duct connector
- Not for use over cooking surfaces
- Optional wall control switches available
- Type IC, sealed housing

## Model 744NT & 744FLNT



Model	CFM	Sones	Lighting	Energy Star	Title 24 Compliant
<b>744NT</b>	70	1.5	75W	—	—
<b>744FLNT</b>	70	1.5	14W Fluor.	Yes	Yes



Energy Star fans use 65% less energy, on average, than standard models and may qualify for local utility rebates.



Fluorescent lighting is Title 24 compliant.

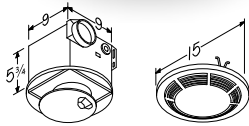


**A touch of style.** Surround the soft glow of a frosted glass lens with an attractive grille. All units feature NuTone's quality touches throughout to make attractive complements to any décor.

## Designer Fan/Light Combination Unit Features

- Durable centrifugal blower wheel quietly delivers superior ventilation
- Plug-in, permanently lubricated motor surrounded by rugged steel housing for outstanding reliability
- UL Listed for use over tub or shower when installed in a GFCI protected branch circuit
- Classic white grilles complement virtually any décor
- Mounting ears offer quick, sturdy installation
- Polymeric duct connectors with tapered sleeves for easier, positive ducting
- Bright 100-watt light capacity with a 7-watt nightlight for added security and safety (bulbs not included)
- Three-function control recommended for models with nightlights
- 4" round duct connector
- Type IC

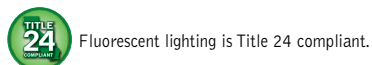
### Models 8663RP, 8664RP & 8663RFT



- Round design eliminates squaring with bathroom walls
- Fits 2" x 6" ceiling construction
- 8663RFT features a 42W fluorescent bulb (not included)
- 8663RP features bright 100W incandescent lighting with 7W nightlight for security and safety (bulbs not included)
- 8664RP features bright 100W incandescent lighting (bulb not included)
- 24" adjustable hanger bars

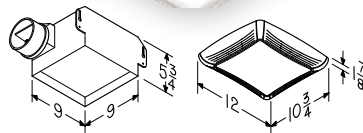
Model	CFM	Sones	Lighting	Finish
<b>8663RFT</b>	100	3.5	42W fluor.	White
<b>8663RP</b>	100	3.5	100/7W	White
<b>8664RP</b>	100	3.5	100W	White
<b>763RLN*</b>	50	2.5	100W	White
<b>668RP</b>	70	4.0	100W	White
<b>769RFT*</b>	70	3.0	13W fluor.	White
<b>769RL*</b>	70	3.0	100W	White

\* Available in single packs or project packs.



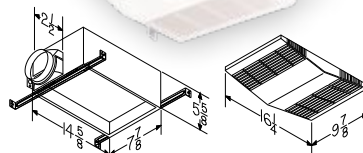
Fluorescent lighting is Title 24 compliant.

### Models 769RL, 763RLN, and 769RFT



- White polymeric grille
- Fits in 2" x 6" ceiling construction
- 769RFT uses 13W fluorescent bulb (not included)
- All models available in Project Packs

### Model 668RP



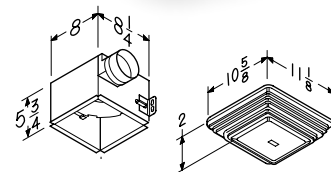
- White polymeric grille
- Rectangular fan light
- Fits in 2" x 6" ceiling construction
- 24" adjustable hanger bars
- Mounting brackets that adjust for ceiling thickness up to 3/4"

**For heavy-duty applications,** where extra light is needed, NuTone has powerful, brilliant solutions. These fans are ideal for high traffic bathrooms including light commercial installations and offices where operation occurs all day. Hard-working and quiet, these fans also feature sealed, long-life bearings that never require lubrication. Rugged, white polymeric grilles and lenses simply rinse clean.

### HD80LNT and HD50LNT Features

- Durable, quiet, centrifugal blower wheel
- Totally enclosed motor design for continuous operation
- Lasts up to three times longer than residential units
- 100W incandescent lighting (bulb not included)
- UL Listed for use over tub or shower when installed in a GFCI protected branch circuit

### Model HD80LNT & HD50LNT



Model	CFM	Sones	Notes
<b>HD50LNT</b>	50	1.5	Heavy-duty motor
<b>HD80LNT</b>	80	2.5	Heavy-duty motor

# NuTone Ventilation Heater/Fan/Lights—Ultra Silent™ Series



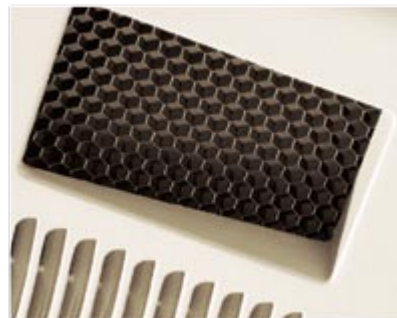
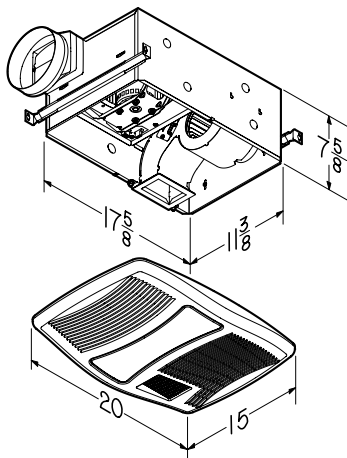
Comfort and convenience combined.

**NuTone Ultra Silent™ Series Heater/Fan/Lights.** You could wait 15 minutes for your central heating system to take the chill from your bathroom, all while it heats every other room in the house. Or, you could select instant heat when it's needed with the QTXN line. Powerful heating, light and ventilation are available at the touch of a switch. And with our PowerHeat™ design, you're assured that the energy converted to heat is efficiently delivered back to you.

### QTXN Heater/Fan/Light Features

- Heater/Fan/Light brings convenient, comforting warmth to your bathroom
- Nearly silent operation – 0.9 sone, 110 CFM fan
- Quiet, high-output 1500-watt heater with exclusive PowerHeat™ (see below)
- 6" ducting for superior performance
- Bright 120-watt lighting (two 60W incandescent bulbs)
- 7-watt nightlight capacity
- Fan motor is engineered for continuous operation
- HVI Certified
- Type IC
- Requires a dedicated 20 amp circuit
- Four-function wall switch sold separately\*
- Fits in 2" x 8" ceiling construction

### QTXN Heater/Fan/Light



**PowerHeat™** is a NuTone design which maximizes heat output per watt. By placing the heater element very close to the forced air exit grille, the internal components are not heated. Heat is delivered into the bathroom and does not escape into the ceiling or attic space.

Model	CFM	Sones	Bath Sq. Ft.	Lighting/Nightlight	Heater Watts	Ducting
<b>QTXN110HL*</b>	110	0.9	100	2-60W / 7W	1500	6"

\*Switch not included. Use 77DW or 77DV (see page 31).



# NuTone Ventilation Heater/Fan/Lights

**NuTone Directionally-Adjustable Heater/Fan/Lights.** You don't need to heat the entire house to have a comfortable bathroom first thing in the morning. And it simply doesn't make sense to wait for your central heating system to do what NuTone can do instantly. Our new Heater/Fan/Light provides powerful heating, light and ventilation at the touch of a switch. And with our 360° directionally-adjustable heat outlet, you're assured the heat will end up exactly where you need it.

## Heater/Fan/Light Features

- Heater/Fan/Light brings convenient, comforting warmth to your bathroom
- Quiet operation – 2.0 sone, 100 CFM ventilation fan
- Quiet, high-output 1500-watt heater with exclusive directionally adjustable design (see below)
- 4" ducting for new construction or retrofit
- Multi-function wall switches sold separately
- Choice of bright 100-watt incandescent or energy-efficient 27-watt fluorescent lighting
- Fan motor is engineered for continuous operation
- HVI Certified
- Type IC
- Requires a dedicated 20 amp circuit
- Fits in 2" x 6" ceiling construction

## 765HL & 765HFL Heater/Fan/Light



Model	CFM	Sones	Bath Sq. Ft.	Lighting	Heater Watts	Ducting
<b>765HL</b>	100	2.0	90	100W Incandescent	1500	4"
<b>765HFL</b>	100	2.0	90	27W Fluorescent	1500	4"



Fluorescent lighting is Title 24 compliant.

# NuTone Ventilation Heater/Fan/Lights—Combination

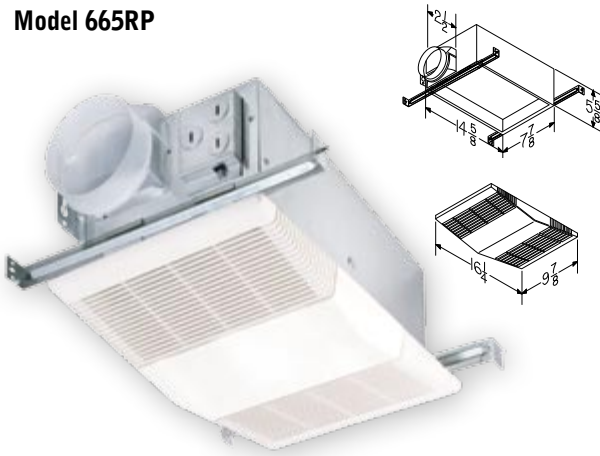
## Heater/Fan and Heater/Fan/Light Features

- Designer white polymeric grilles complement virtually any décor
- Fan, light and heater function independently or together

### Heater/Fan/Light

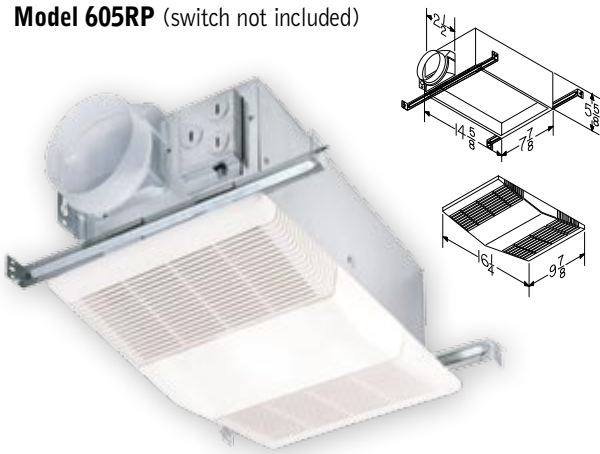
- Fits in 2" x 6" ceiling construction
- 1300W heating element provides optimum performance in smaller spaces
- Bright 100W incandescent light capacity

#### Model 665RP



- Fits in 2" x 6" ceiling construction
- 1300W heating element provides optimum performance in smaller space
- Improved hanger bar locks position after securing unit to rafters
- White polymeric grilles

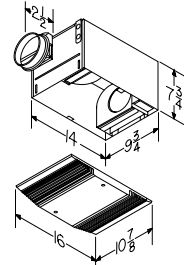
#### Model 605RP (switch not included)



Model	CFM	Sones	Lighting	Heat	Finish
<b>665RP</b>	70	4.0	100	1300W	White Polymeric
<b>605RP</b>	70	4.0	n/a	1300W	White Polymeric

### Combination Heater Fans

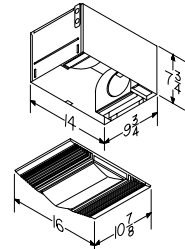
#### Model 9905



- Fan-forced heat and exhaust fan only
- Includes two-function switch
- 1500 watts



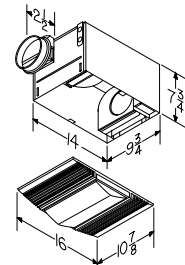
#### Model 9960



- Fan-forced heat, ceiling & nightlight
- Includes three-function switch
- 1500 watts



#### Model 9965



- Fan-forced heat, exhaust fan, ceiling & nightlight
- Includes four-function switch
- 1500 watts



Model	CFM	Sones	Lighting	Heat	Wall Switch
<b>9905</b>	70	4.0	n/a	1500W	2-function
<b>9960</b>	–	–	100/7	1500W	3-function
<b>9965</b>	70	4.0	100/7	1500W	4-function

# NuTone Ventilation Heater/Fan/Lights—Combination

## 9093 Series Features

- Powerful ventilation
- Extra-quiet operation
- Bright ceiling light
- Convenient nightlight
- White enamel grille
- 1500 watts of powerful heat
- Includes a four-function wall switch
- Fits 2" x 8" ceiling construction

### Model QT9093WH



### Model 9093WH



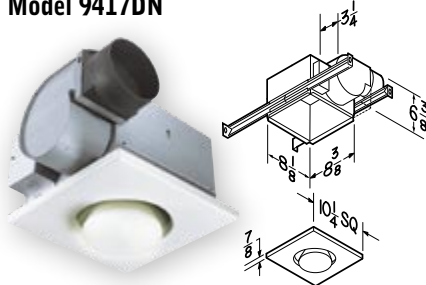
Model	CFM	Sones	Lighting	Heat
<b>QT9093WH</b>	110	3.0	100/7	1500W
<b>9093WH</b>	70	3.5	100/7	1500W

**Bulb Heater Fans. Silent warmth and superior ventilation.** Trust NuTone Bulb Heater/Fans and Bulb Heaters for energy-saving warmth and instant comfort without ever having to touch your central thermostat. These units deliver superior performance and excellent ventilation in a compact package.

## Bulb Heater/Fan Features

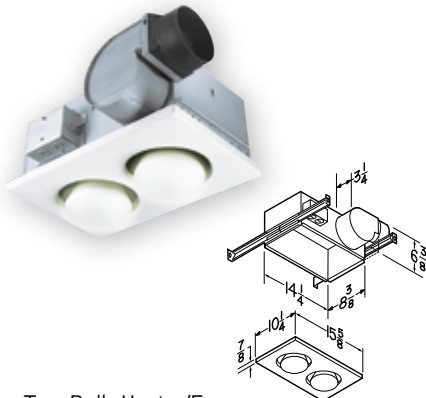
- Quiet, highly efficient polymeric blower wheels
- Polymeric dampers prevent backdrafts and eliminate mechanical noise
- Polymeric 4" round duct connectors with tapered sleeves simplify ducting
- Operate fan and heater independently or together
- Attractive white polymeric grilles
- Compact steel housings with adjustable mounting brackets with keyhole slots that span up to 24"
- 250-watt R40 or BR40 size infrared bulbs (not included)
- Type IC, UL Listed for 60°C wiring (retrofits)

### Model 9417DN



- One-Bulb Heater/Fan

### Model 9427P



- Two-Bulb Heater/Fan
- Two-function control (available separately)

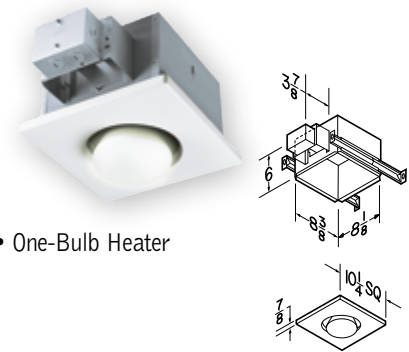
Model	CFM	Sones	Heat
<b>9417DN</b>	70	3.5	250W*
<b>9427P</b>	70	3.5	500W*

\*Infrared bulbs not included

## Bulb Heaters Only

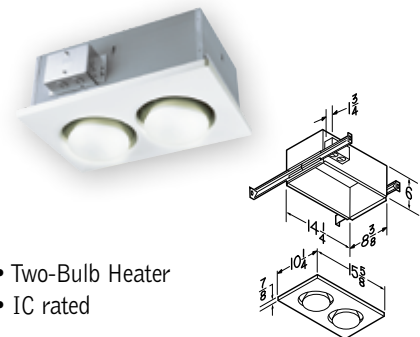
- Infrared bulbs deliver energy-saving warmth
- Get instant comfort in the bathroom without turning up the central thermostat
- 250-watt R40/BR40 size infrared bulbs (not included)
- Attractive, white polymeric grilles
- Compact steel housings
- Adjustable mounting brackets with keyhole slots span up to 24"

### Model 9412D



- One-Bulb Heater

### Model 9422P



- Two-Bulb Heater
- IC rated

Model	Watts	Volts	Amps
<b>9412D*</b>	250	120	2.1
<b>9422P</b>	500	120	4.6

\*9412D is not IC rated

**NuTone Ventilation Fans—Wall Control**



**Indicator Light Control  
for Ultra Silent™ Models**



**Multi-Function Control**



**Speed Control for quieter  
operation or full power**



**Timer and Off-delay Controls  
for unattended moisture removal**

## Variable-Speed Wall Controls

### Model CFVS-1N

- Variable speed control
- 10.1 amps
- Unlimited fan motor speeds



### Model 57W, 57V (3-Amp)\*

- 120V, 3 amps
- Fits single-gang box
- Positive on/off action—dial for variable selection of air speeds and sound levels
- Built-in radio noise suppressor
- Controls available in White (W) or Ivory (V)



### Model 72W, 72V

- 120V, 6 amps
- Other features same as 57W / 57V



## Single-Function Wall Controls

### Model DH100W

- Dehumidistat with variable setting from 20–80% relative humidity
- Dual voltage 24V/120V



## Timed Wall Controls

### Model CFT-12WH

- 12-hour time switch
- Rotary dial
- 20 amps



### Model VS-62WH

- 60-minute time switch
- For all NuTone heaters and fans except Pull-Chain type
- 20 amps



### Model VS-63WH

- 15-minute time
- For all NuTone heaters and fans except Pull-Chain type
- 20 amps



## Timed Wall Controls

### Model VS-66WH

- 60-minute timer
- Separate on/off control
- For two-gang outlet box
- Timer controls any NuTone heater or Ventilator
- On/Off section can be used for a separate light, vent or heater



### Model VS-67WH

- 60-minute timer
- Separate on/off controls
- For two-gang outlet box
- Timer section may control any NuTone heater or Ventilator
- On/Off section can be used for a separate light, vent or heater



### Model VS-68WH

- 15-minute timer
- Separate on/off control
- For two-gang outlet box
- Timer controls any NuTone heater or Ventilator
- On/Off section can be used for a separate light, vent or heater.



### Model VS-69WH

- 15-minute timer
- Separate on/off controls
- For two-gang outlet box
- Timer controls any heater or Ventilator
- On/Off section can be used for a separate light, vent or heater



## Attic Humidity Control

### Model HU100

- For use with attic ventilator models 350, 355, 356, 358 and RF-49BR
- For single-gang outlet box
- 120V / 6.0 amps



## Multi-Function / Lighted Controls

### Model 68W, 68V, P68W

- Two-Function Controls
- Two independent, 120V, 15 amp rocker switches (20 amps total)
- Fits single-gang box
- Controls available in White (W) or Ivory (V)
- Blister pack available, P68W



### Model 66W, 66V, P66W

- Three-Function Controls
- Three independent, 120V, 15 amp rocker switches (20 amps total)
- Fits single-gang opening
- Controls available in White (W) or Ivory (V)
- Blister pack available, P66W



### Model 77DW, 77DV, P77DW

- Four-Function Controls
- Single switch provides three settings for fan sensor (On-Auto-Off) on Sensing models
- Remaining switches for light/nightlight
- Works with QTX110HL heater/fan/light/nightlight
- Controls available in White (W) or Ivory (V)
- Fits single-gang opening
- Blister pack available, P77DW



### Model 69WL, 69VL

- Single-Function Controls
- For use with Ultra Silent™ Series fan units, or Remote In-Line Ventilators
- 120V, 20 amps
- Red light lets you know power is on
- Controls available in White (W) or Ivory (V)



### Model P59W

- 60-minute timer with "continuous on" feature
- Fits single gang box
- 120V / 20 amp or 240V / 10 amp



# NuTone Ventilation Fans—Wall Control Selection Guide

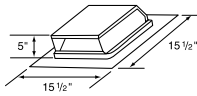
	57W, 57V	P59W	61W, 61V	66W, 66V, P66W	68W, 68V, P68W	69WL 69VL	72W, 72V	77DW, 77DV	CFVS-1N	DH100W	HU100	VS-62WH	VS-63WH	VS-66WH	VS-67WH	VS-68WH	VS-69WH	
<b>Ventilation Fans</b>	671R		•							•		•	•					
	672R		•							•		•	•					
	682NT		•							•		•	•					
	695		•							•		•	•					
	696N		•							•		•	•					
	8814R		•							•		•	•					
	8832SA		•							•		•	•					
	8832WH		•							•		•	•					
	HD50NT	•	•	•			•	•		•								
	HD80NT	•	•	•			•	•		•								
	QTREN080	•	•				•	•		•	•		•	•				
	QTREN110	•	•				•	•		•	•		•	•				
	QTRN080	•	•				•	•		•	•		•	•				
	QTRN110	•	•				•	•		•	•		•	•				
	QTXEN050	•	•				•	•		•	•		•	•				
	QTXEN080	•	•				•	•		•	•		•	•				
	QTXEN110	•	•				•	•		•	•		•	•				
QTXEN110S						•												
QTXEN150	•	•				•	•		•	•		•	•					
<b>Ventilation Fan/Lights</b>	668RP	•	•				•			•		•	•	•			•	
	741BRNT		•				•			•				•			•	
	741SNNT		•				•			•				•			•	
	741WHNT		•				•			•				•			•	
	741WHFLNT		•				•			•				•			•	
	742RBNT		•				•			•				•			•	
	744NT		•				•			•				•			•	
	744FLNT		•				•			•				•			•	
	754RBNT		•				•			•				•			•	
	754SNNT		•				•			•				•			•	
	755NT		•				•			•				•			•	
	757SNNT		•				•			•				•			•	
	758NT		•				•			•				•			•	
	761WHNT		•				•			•				•			•	
	763RLN		•				•			•				•			•	
	768CHNT		•				•			•				•			•	
	769RFT		•				•			•				•			•	
	769RL		•				•			•				•			•	
	8663RFT				•					•						•		•
	8663RP				•					•						•		•
	8664RP		•							•					•			•
8673RP				•					•						•		•	
HD50LNT	•					•	•		•				•					
HD80LNT	•					•	•		•				•					
QTREN080FLT	•			•			•		•	•					•		•	
QTREN110FLT	•			•			•		•	•					•		•	
QTRN080L	•			•			•		•	•					•		•	
QTRN110L	•			•			•		•	•					•		•	
QTXEN080FLT	•			•			•		•	•					•		•	
QTXEN110FLT	•			•			•		•	•					•		•	
QTXEN110SFLT		•						•										
QTXEN150FLT	•			•			•		•	•					•		•	
QTXN110SL		•						•										
<b>Heater/Fan/Lights</b>	605RP		•									•	•	•			•	
	665RP		•									•	•		•		•	
	9093WH							•										
	9412D											•	•					
	9417DN		•				•					•	•	•			•	
	9422P		•				•					•	•	•			•	
	9427P		•			•						•	•	•	•		•	
	9905		•									•	•	•			•	
	9960											•	•		•			•
	9965								•									
	QT9093WH								•									
<b>Utility Fans</b>	686		•							•		•	•					
	8210	•	•				•			•		•	•					
	8310	•	•				•			•		•	•					
	QT200	•	•				•			•		•	•					
QT300	•	•				•			•		•	•						



## Roof Caps

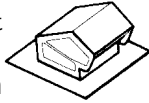
### Model 634 Roof Cap

- For 3-1/4" x 10" or up to 8" round duct
- Built-in backdraft damper and bird screen
- Steel baked black enamel finish



### Model 636 Roof Cap

- For 3" or 4" round duct
- Built-in backdraft damper and bird screen
- Steel baked black enamel finish



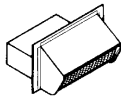
### Model 636AL Roof Cap

- Same as Model 636, except aluminum natural finish

## Wall Caps

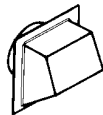
### Model 639 Wall Cap

- Spring-loaded backdraft damper
- For 3-1/4" x 10" duct
- Built-in bird screen
- Steel baked black enamel finish



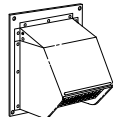
### Model 649 Wall Cap

- Same as Model 639, except aluminum natural finish



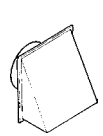
### Model 641 Wall Cap

- For 6" round duct
- Aluminum natural finish
- Built-in backdraft damper & bird screen



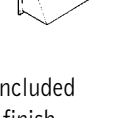
### Model 843-BL Wall Cap

- For 6" round duct
- Built-in backdraft damper and bird screen
- Steel baked black enamel finish



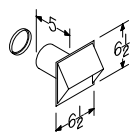
### Model 643 Wall Cap

- For 8" round duct
- Aluminum natural finish



### Model 885-BL Wall Cap

- For 3" or 4" round duct
- 3" to 4" round transition included
- Steel baked black enamel finish
- Spring operated built-in backdraft damper and bird screen



### Model 885-AL Wall Cap

- Aluminum finish
- All other features same as 885-BL



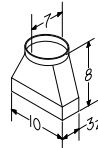
### Model WC650 Wall Cap

- 4" round duct
- Includes rigid through-wall duct collar
- White plastic finish

## Transitions

### Model 886 Transition

- Converts 7" round to 3-1/4" x 10" duct



### Model 475 Transition

- Converts 6" round duct to 4" round duct reducer
- Available in 6 Pack (475B)

### Model 413 Transition

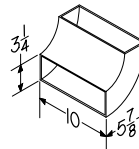
- Converts 3-1/4" x 10" duct to 8" round duct



## Ducting, Elbows, Dampers

### Model 839 Elbow

- 90° turn
- For use with 3-1/4" x 10" duct



### Model 97 Damper

- 7" spring-loaded, In-Line damper.



### Model BP87 Damper

- 7" vertical discharge damper.



### Model 407 Round Duct

- 7" round duct
- 2' galvanized section

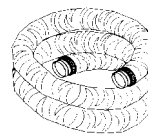
### Model 410 Round Duct

- 10" round duct
- 2' galvanized section

## Insulated Flexible Duct

### Models 804DU, DT6W

- 4" (804DU) or 6" (DT6W) round
- 25' standard length



## Adapter Kits

### Model RVK1A

- Complete kit designed to vent kitchen or bath exhaust fan through a slanted roof
- Works with 3" and 4" ducts
- 8' in length



### Model WVK2A

### Flexible Wall Ducting Kit

- Includes white polymeric wall cap
- 4" diameter metal duct connector
- 2 duct clamps
- 4" to 3" reducer
- 5' of 4" flexible aluminum ducting



## Adapters

### Model FY6

- 6" x 6" x 6" Y adapter

### Model FY86

- 8" x 6" x 6" Y adapter



## Sleeves

### Model CVLD4

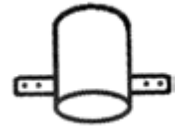
- 4" sleeve with damper

### Model CVLD5

- 5" sleeve with damper

### Model CVLD6

- 6" sleeve with damper



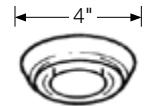
## Grilles

### Model S97011308

- Metal Grille kit
- Steel baked white enamel finish
- Fits fan models 695, 696N, 690RMTLA and 696MTL

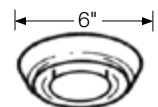
### Model CVG4

- 4" round grille
- Backdraft damper sold separately



### Model CVG6

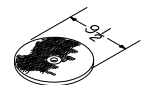
- 6" round grille
- Backdraft damper sold separately



## Replacement Filters

### Model 834 Filter

- For 8" fans and VG-54 Damper



### Model 854 Filter

- Aluminum-mesh grease filter
- For 10" fans



# NuTone Ventilation Fans—Product Specifications

## Bath Fans

	Page	CFM	Sones HVI certified	up to ( ) Sq Ft	Energy Star	Duct Size"	Housing Dimensions			Grille Dimensions			Grille finish	Amps
							L"	W"	H"	L"	W"	D"		
671R	14	90	3.0	85	no	4	9	8½	5¾	10½	10¼	White Polymeric	0.5	
672R	14	110	4.0	105	no	4	9	9	5¾	10½	10¼	White Polymeric	0.7	
682NT	14	n/a	n/a	n/a	no	n/a	7½	7½	3¾	8½	8½	White Polymeric	1.0	
695	14	70	6.0	65	no	3	7½	7¼	3½	9½	8 <sup>11</sup> / <sub>16</sub>	White Polymeric	1.2	
696N	14	50	4.0	45	no	3	7½	7¼	3½	9½	8 <sup>11</sup> / <sub>16</sub>	White Polymeric	0.75	
8814R	14	110	4.0	105	no	4	9	9	5¾	11½	10¼	White Polymeric	0.85	
8832SA	14	80	2.5	75	no	3	8½	9	4	10½	8%	Silver Annod. Alum	0.75	
8832WH	14	80	2.5	75	no	3	8½	9	4	10¾	9%	White Polymeric	0.7	
QTREN080	13	80	0.8	75	yes	4	11¾	10½	7½	13	14	White Polymeric	0.7	
QTREN110	13	110	1.3	105	yes	4	11¾	10½	7½	13	14	White Polymeric	0.9	
QTRN050	13	50	0.4	45	no	4	11¾	10½	7½	13	14	White Polymeric	0.4	
QTRN080	13	80	1.0	75	no	4	11¾	10½	7½	13	14	White Polymeric	0.4	
QTRN110	13	110	1.5	105	no	4	11¾	10½	7½	13	14	White Polymeric	0.3	
QTXEN050	13	50	<0.3	45	yes	6	11¾	10½	7½	12¾	13¾	White Polymeric	0.3	
QTXEN080	13	80	0.3	75	yes	6	11¾	10½	7½	12¾	13¾	White Polymeric	0.4	
QTXEN110	13	110	0.7	105	yes	6	11¾	10½	7½	12¾	13¾	White Polymeric	0.3	
QTXEN110S	12	110	0.7	100	yes	6	11¾	10½	7¾	13	13¾	White Polymeric	0.3	
QTXEN150	13	150	1.4	140	yes	6	11¾	10½	7½	12¾	13¾	White Polymeric	0.5	
HD50NT	15	50	1.5	45	no	4	8	8¼	5¾	10¼	10¼	White Acrylic Metal	0.4	
HD50RDB*	15	50	1.5	45	no	4	8	8¼	5¾	10¼	10¼	White Acrylic Metal	0.4	
HD80NT	15	80	2.5	75	no	4	8	8¼	5¾	10¼	10¼	White Acrylic Metal	0.6	
80RDB*	15	80	2.5	75	no	4	8	8¼	5¾	10¼	10¼	White Acrylic Metal	0.6	
HD80RDB*	15	80	2.5	75	no	4	8	8¼	5¾	10¼	10¼	White Acrylic Metal	0.6	
110RDB*	15	110	4.0	105	no	4	8	8¼	v	10¼	10¼	White Acrylic Metal	0.6	

\*Model RDA fan housing only sold separately for radiation dampers/fans.

## Fan/Lights

	Page	CFM	Sones HVI certified	Baths up to ( ) Sq Ft	Other rooms up to ( ) Sq Ft	Lighting Watts Main/ Nightlight	Energy Star	Title 24 Compliant	Duct Size"	Housing Dimensions			Grille Dimensions			Grille finish	Amps
										L"	W"	H"	L"	W"	D"		
668RP	25	70	4.0	65	85	100W	no		4	14¾	7%	5%	16¼	9%	White Polymeric	2.0	
741BRNT	23	70	3.5	65	85	2-60W	no		4	8¼	8	5¾	13¾ Dia	5%	Polished Brass	2.2	
741SNNT	23	70	3.5	65	85	2-60W	no		4	8¼	8	5¾	13¾ Dia	5%	Satin Nickel	2.2	
741WHNT	23	70	3.5	65	85	2-60W	no		4	8¼	8	5¾	13¾ Dia	5%	Painted White	2.2	
741WHFLNT	23	70	3.5	65	85	2-13W fluor.	yes		4	8¼	8	5¾	13¾ Dia	5%	Painted White	2.2	
742RBNT	23	70	3.5	65	85	2-60W	no		4	8¼	8	5¾	13¾ Dia	5%	Oil-rubbed Bronze	2.2	
744NT	24	70	1.5	65	85	75W	no		4	8¼	12¾	6¾	7¾ Dia		White Polymeric	1.2	
744FLNT	24	70	1.5	65	85	14W fluor.	yes	yes	4	8¼	12¾	6¾	7¾ Dia		White Polymeric	1.2	
754RBNT	22	70	3.5	65	85	2-60W	no		4	8¼	8	5¾	13 Dia		Antique Crackle	2.2	
754SNNT	22	70	3.5	65	85	2-60W	no		4	8¼	8	5¾	13 Dia		Antique Crackle	2.2	
757SNNT	22	80	2.5	75	100	2-60W	no		4	8¼	8	5¾	13 Dia		Satin Nickel	1.6	
758NT	22	70	3.5	65	85	2-60W	no		4	8¼	8	5¾	13 Dia		Antique Crackle	2.2	
761WHNT	22	100	3.5	90	90	2-60W	no		4	8¼	8	5¾	13¾ Dia		White	2.2	
763RLN	25	50	2.5	45	60	100W	no		4	9	9	5¾	12¼	10¾	White Polymeric	1.2	
768CHNT	22	80	2.5	75	75	2-60W	no		4	8¼	8	5¾	13¾ Dia		Polished Chrome	1.6	
769RFT	25	70	3.0	65	85	13W fluor.	no	yes	4	9	9	5¾	12¼	10¾	White Polymeric	1.2	
769RL	25	70	3.0	65	85	100W	no		4	9	9	5¾	12¼	10¾	White Polymeric	2.0	
8663RFT	25	100	3.5	95	125	42W fluor.	no	yes	4	9	9	5¾	15 Dia		White Polymeric	1.7	
8663RP	25	100	3.5	95	125	100W/7W	no		4	9	9	5¾	15 Dia		White Polymeric	1.7	
8664RP	25	100	3.5	95	125	100W	no		4	9	9	5¾	15 Dia		White Polymeric	1.7	
HD50LNT	25	50	1.5	45	n/a	100W	no		4	8	8¼	5	10%	11½	2	White Polymeric	1.3
HD80LNT	25	80	2.5	75	n/a	100W	no		4	8	8¼	5	10%	11½	2	White Polymeric	1.7
QTREN080FLT	21	80	0.8	75	n/a	42W/4W	yes	yes	4	11¾	10½	7%	13	14	White Polymeric	1.0	
QTREN110FLT	21	110	1.3	100	n/a	42W/4W	yes	yes	4	11¾	10½	7%	13	14	White Polymeric	1.0	
QTRN080L	21	80	1.0	75	n/a	100W/4W	no		4	11¾	10½	7%	13	14	White Polymeric	1.6	
QTRN110L	21	110	1.5	100	n/a	100W/4W	no		4	11¾	10½	7%	13	14	White Polymeric	1.8	
QTXEN080FLT	21	80	0.3	75	n/a	42W/4W	yes	yes	6	11¾	10½	7%	13	14	White Polymeric	1.0	
QTXEN110FLT	21	110	0.7	100	n/a	42W/4W	yes	yes	6	11¾	10½	7%	13	14	White Polymeric	1.0	
QTXEN110SFLT	20	110	0.7	100	n/a	42W/4W	yes	yes	6	11¾	10½	7%	13	13¾	White Polymeric	1.0	
QTXEN150FLT	21	150	1.4	140	n/a	42W/4W	yes	yes	6	11¾	10½	7%	13	14	White Polymeric	1.2	
QTXN110SL	20	110	0.9	100	n/a	100W/4W	no	no	6	11¾	10½	7¾	13	13¾	White Polymeric	1.0	

# NuTone Ventilation Fans—Product Specifications

## Utility Fans

	Page	CFM	Sones	Housing Dimensions			Grille Dimensions		Amps*	Duct"
				L"	W"	H"	L"	W"		
686	17	80	6.0	6½ x 6½½ Dia			9½	8½½	1.5	7
8210	17	210	6.5	9 Dia. X 5¾			11 Diameter		0.82	7
8310	17	160	5.0	13½	11½	3½	11 Diameter		1.0	¾ x 10
QT200	17	200	2.0	14¾	10	9	16½	12¾	1.0	¾ x 10
QT300	17	300	4.5	14¾	10	9	16½	12¾	2.5	¾ x 10

## In-Line Ventilators

	Page	0.2" Ps CFM	Sones	Housing Dimensions		Diameter Fan	Duct	Amps
				Height	Duct Collar			
ILF-120	18	110	n/a	9½	3½	9½	4	0.37
ILF-130	18	130	n/a	9½	4½	9½	5	0.37
ILF-250	18	250	n/a	9	5½	13¾	6	0.8
ILF-360	18	360	n/a	6¼	8	13¼	8	0.87
ILF-530	18	530	n/a	7	10	13¼	10	2
ILRF	18	150	n/a	10½	4/5	9½	4 or 5	0.8
ILFK-120	18	110	n/a	9½	3½	9½	4	0.37
ILFK-130	18	130	n/a	9½	4½	9½	5	0.37
ILFK-250	18	250	n/a	9	5½	13¾	6	0.8
ILFK-250-2	18	250	n/a	9	5½	13¾	6	0.8

## Heater/Fan/Lights

	Page	CFM	Sones, HVI- certified	Lighting Watts Main/ Nightlight	Housing Dimensions			Grille Dimensions		Grille finish	Duct Size"	Amps	Total Connected Load In Watts	Element Watts	Exhaust Motor Watts	Heating Motor Watts	BTU
					L"	W"	H"	L"	W"								
605RP	28	70	4.0	n/a	14½	7½	5½	16¼	9½	White Polymeric	4	13.5	1620	1500	60	60	5118
665RP	28	70	4.0	100W	14½	7½	5½	16¼	9½	White Polymeric	4	14.2	1720	1500	60	60	5118
9093WH	29	70	3.5	100W/7W	13¼ Dia x 7½			15¾ Dia		White Enamel	4	14.2	1717	1500	55	55	5118
9905	28	70	4.0	n/a	14	9¾	7¾	16	10½	White Polymeric	4	13.5	1620	1500	60	60	5118
9960	28	n/a	n/a	100W/7W	14	9¾	7¾	16	10½	White Polymeric	–	13.9	1667	1500	n/a	60	5118
9965	28	70	4.0	100W/7W	14	9¾	7¾	16	10½	White Polymeric	4	14.2	1727	1500	60	60	5118
9417DN	29	70	3.5	250W	8½	8¾	6¾	10¼	10¼	White Polymeric	4	2.6	310	n/a	60	n/a	853
9427P	29	70	3.5	2-250W	14¼	8¾	6¾	10¼	15½	White Polymeric	4	5.0	560	n/a	60	n/a	1706
QT9093WH	29	110	3.0	100W/7W	18½	13¼	7½	15¾ Dia		White Enamel	4	14.2	1717	1500	55	55	5118
765HL	27	100	2.0	100W	16	10¼	5½	17½	11½	White Polymeric	4	14.5	1830	1500	55	55	5120
765HFL	27	100	2.0	27W Fluor. (Incl.)	16	10¼	5½	17½	11½	White Polymeric	4	14	1760	1500	55	55	5120
QTXN110HL	26	110	0.9	2-60W/7W	17½	11¾	7½	20	15	White Polymeric	6	14.6	1710	1500	55	55	5120

## Heater Only

	Page	Watts	Volts	Heating Motor Amps	BTU/hr	Housing Dimensions			Grille Dimensions		Grille finish
						W"	H"	D"	W"	H"	
9412D	29	250	120	2.1	853	8¾	8¾	6	10¼	10¼	White Polymeric
9422P	29	500	120	4.6	1706	14¼	8¾	6	15½	10¼	White Polymeric



**NuTone**® is America's leading brand of residential built-in convenience products including door chimes, central vacuum systems, stereo intercom systems, ceiling fans, home theater speakers, bath cabinets, ironing centers and ventilation fans.

**Broan**® is America's leading brand of residential ventilation products including range hoods, ventilation fans, heater/fan/light combination units, Indoor Air Quality (IAQ) Fresh Air Systems, built-in heaters, whole-house fans, attic ventilators and trash compactors.

Broan and NuTone are proud to be ENERGY STAR® partners

America's Choice For Green Builders®

# NuTone®

[www.NuTone.com](http://www.NuTone.com)

Broan-NuTone LLC, 926 W. State Street, Hartford, WI 53027 • **888-336-3948**

In Canada call **877-896-1119**



0 26715 16356 4