

# PEB9159SFSS

## GE Profile™ Series 1.5 Cu. Ft. Countertop Convection/Microwave Oven

### Dimensions and Installation Information (in inches)

Exterior Dimensions (in inches)	
W x H x D	22-5/8 x 14-3/4 x 20

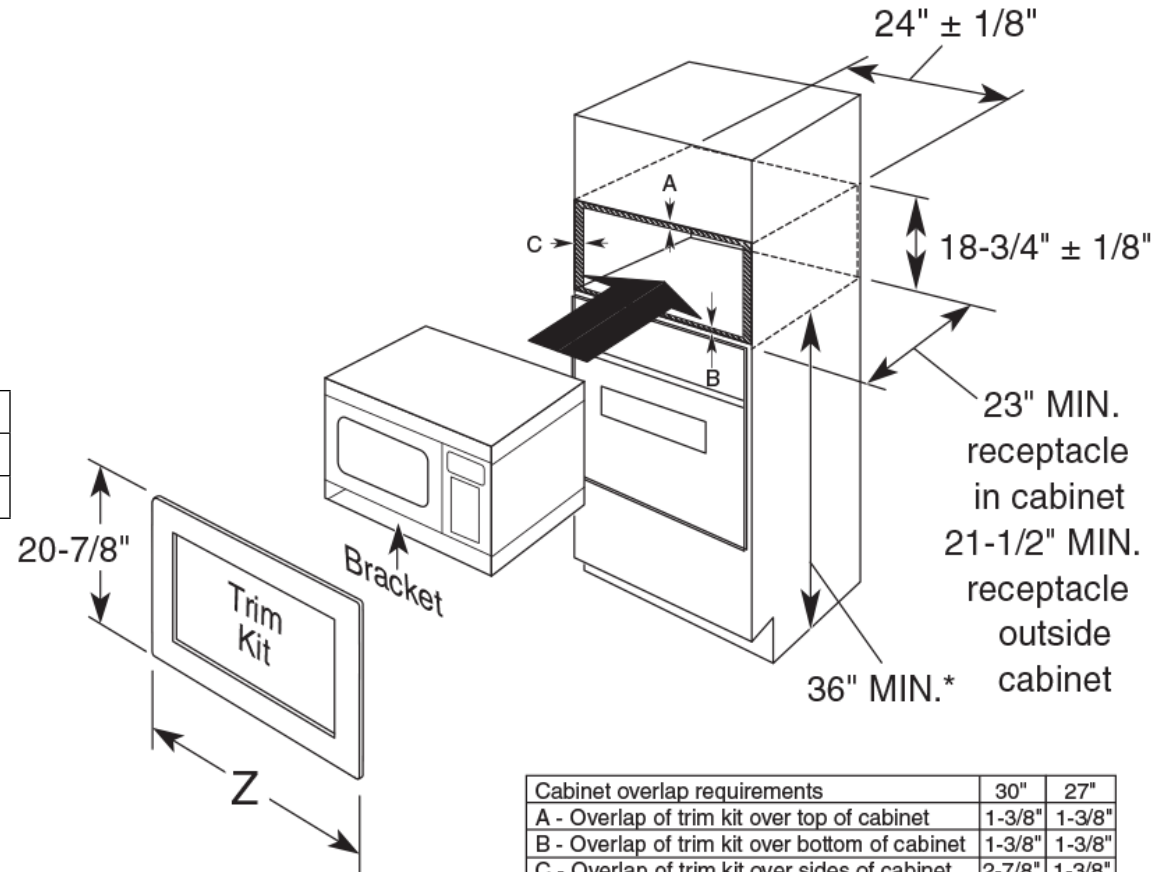
### Optional Accessory Trim Kits for GE Microwave Ovens (Available at additional cost)

For a custom built-in appearance, these kits allow built-in installation of the countertop microwave oven into a wall or cabinet alone and are U.L. approved for installation over a GE single electric wall oven. These kits should not be installed over a gas wall oven.

Accessory trim kits	"Z"	Max Height	Trim Kits
30" Deluxe	29-3/4"	20-7/8"	CX1530SSSS
27" Deluxe	26-3/4"	20-7/8"	CX1527SSSS

**Note:** 120V, 60-cycle, grounded power receptacle location optional on back within cabinet opening.

**Installation Information:** This information is not intended to be used for installing unit described. Before installing, consult installation instructions packed with product/kit for current dimensional data.



Cabinet overlap requirements	30"	27"
A - Overlap of trim kit over top of cabinet	1-3/8"	1-3/8"
B - Overlap of trim kit over bottom of cabinet	1-3/8"	1-3/8"
C - Overlap of trim kit over sides of cabinet	2-7/8"	1-3/8"

\*For ADA compliance, the microwave must be installed no higher than 37".

**Note:**  
Allow an additional inch of clearance beyond trim frame on all sides



For answers to your Monogram,® Cafe™ Series or Profile™ Series appliance questions, visit our website at [geappliances.com](http://geappliances.com) or call GE Answer Center® service, 800.626.2000.

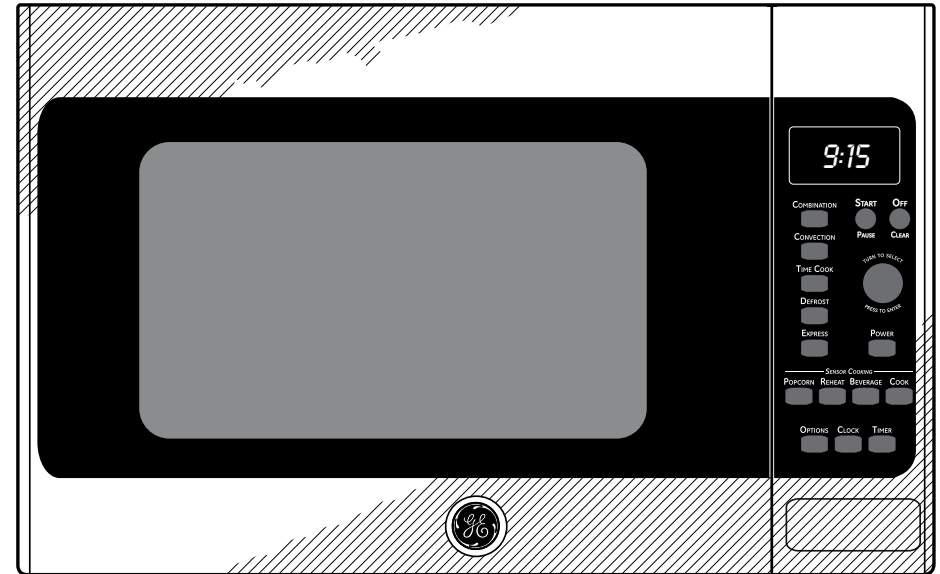


# PEB9159SFSS

## GE Profile™ Series 1.5 Cu. Ft. Countertop Convection/Microwave Oven

### Features and Benefits

- 1.5 cu. ft. capacity - 1000 Watts (IEC-705 test procedure)
- Convection cooking - Choose this setting when baking or browning is desired
- Sensor cooking controls - Automatically adjusts time and power for delicious cooking results
- Easy-set control dial - Enjoy how simple the control dial makes setting the oven or selecting recipes
- Optional built-in trim kit - Achieve a custom appearance and built-in convenience with a sleek, matching trim kit
- Removable oven rack - Full-width cooking rack allows for multi-level cooking simultaneously, allowing you to cook large quantities of your family's favorites
- Recessed turntable - Maximizes oven space and flush design easily accommodates multiple dishes
- Model PEB9159SFSS - Stainless steel



imagination at work



Listed by  
Underwriters  
Laboratories