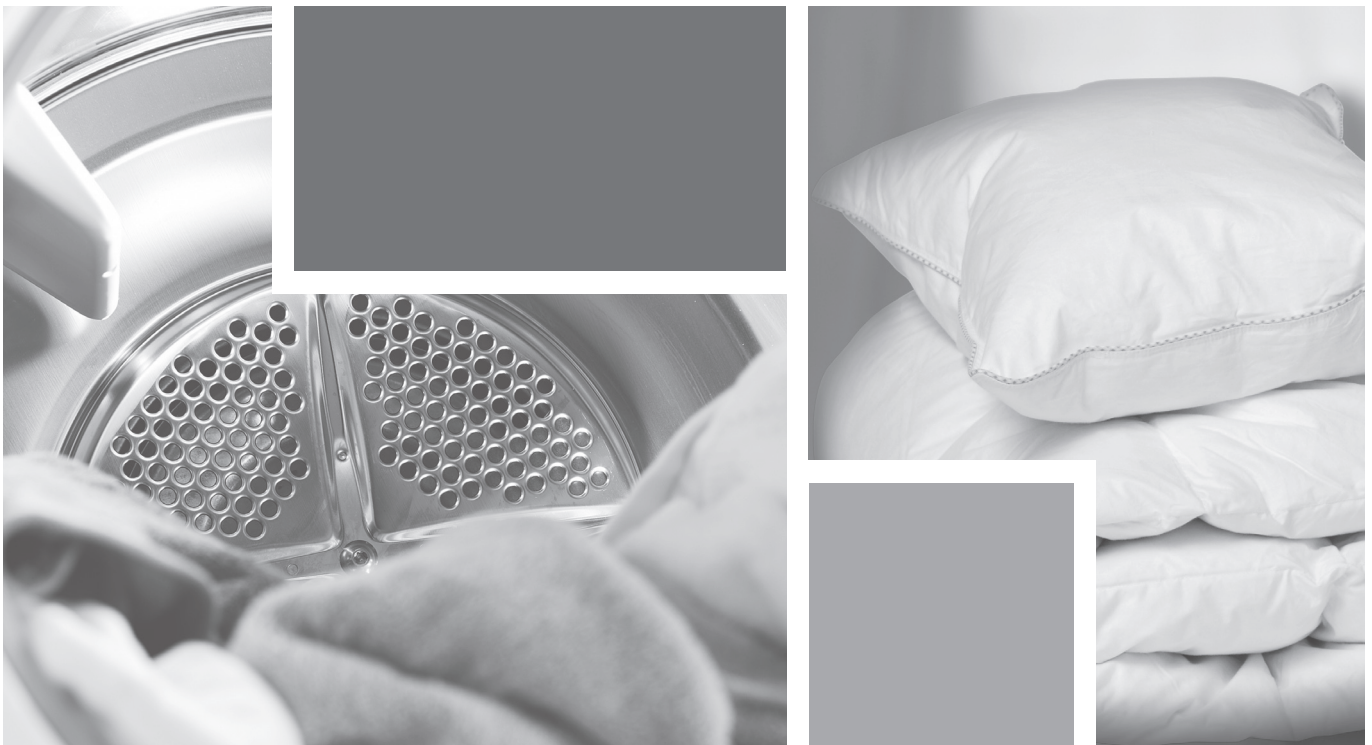


Dear Customer,

Thank you for choosing this quality product from ASKO. We hope it will meet your expectations and fulfil your needs for many years to come. Scandinavian design combines clean lines, everyday functionality and high quality. These are key characteristics of all our products and the reason they are greatly appreciated throughout the world.

To get the most out of your new machine, we recommend that you read the operating instructions before using the machine. The operating instructions also include information on how you can help protect the environment.



Operating Instructions

Tumble dryer
T884XL

CONTENTS

SAFETY INSTRUCTIONS	3	TROUBLESHOOTING	12
Grounding instructions	3	The machine will not start	12
Installation	4	The machine loses all power during a program	12
Packing material	4	Drying takes too long	12
Recycling	4	Error messages	12
Child safety	4	TECHNICAL INFORMATION	13
child-safe start	4	SERVICE AND GUARANTEE	14
Activating/deactivating Child-safe start	4	Limited Warranty – Residential Appliances	14
To deactivate child-safe start temporarily:	4	Items excluded from warranty	14
DESCRIPTION OF THE TUMBLE DRYER	5	Disclaimer of implied warranties	14
ADVICE AND TIPS BEFORE YOU TUMBLE-DRY	6	Before contacting the Customer Care Center	15
Have the clothes been spun?	6	INSTALLATION	16
Materials that can be tumble-dried	6	Installation	16
Materials that must not be tumble-dried	6	Electrical installation	16
Static electricity	6	Connection on delivery	16
TUMBLE DRYING	7	Switch-over	16
Sort your fabrics	7	Positioning the tumble dryer	16
Select the programme	7	Air exhaust	18
Selecting Options	8	Electrical installation	19
Press the start button	8	REVERSING THE DOOR	22
Drying programme finished	8	QUICK GUIDE	24
Programme chart	9		
SETTINGS	10		
You can alter the following settings:	10		
Language	10		
KidSafe™ Child-safe	10		
CARE AND CLEANING	11		
Cleaning the lint filter	11		

Original instruction



SAFETY INSTRUCTIONS



SAVE THESE INSTRUCTIONS FOR FUTURE REFERENCE

WARNING!

WARNING - To reduce the risk of fire, electric shock, or injury to persons when using your appliance, follow basic precautions, including the following:

- Read all instructions before using the appliance.
- Do not wash or dry articles that have been previously cleaned in, washed in, soaked in, or spotted with gasoline, dry-cleaning solvents, cooking oils, other flammable or explosive substances as they give off vapors that could ignite or explode.
- Do not allow children to play on or in the appliance. Children should be closely supervised when near the appliance.
- Before the appliance is removed from service or discarded, remove the door to the drying compartment.
- Do not reach into the appliance if the drum is moving.
- Do not install or store this appliance where it will be exposed to the weather.
- Do not tamper with controls.
- Do not attempt to repair or replace any part of the appliance or perform any servicing unless specifically recommended in this guide.
- Do not use fabric softeners or dryer sheets unless the manufacturer gives written assurance that the product will not damage a tumble dryer.
- Do not heat dry items containing vinyl, plastic, foam rubber or similarly textured rubberlike materials, fiberglass, or wool unless the label
- Clean the lint filter before or after each load.
- Keep the area around the exhaust opening and adjacent surrounding areas free from the accumulation of lint, dust and dirt.
- The interior of the machine should be cleaned periodically by an authorized ASKO service agent.
- Do not place items exposed to cooking oils in your dryer. Items contaminated with cooking oils may contribute to a chemical reaction that could cause a load to catch fire.
- Electrical installation, if required, must be done by a licensed electrician.
- Do not operate appliance while away from the home.
- Do not heat dry items that have been dry-cleaned.
- The dryer is made and marked to facilitate recycling. When it is no longer useful, contact your local refuse collection service for advice on how to properly dispose of the dryer for purposes of recycling.
- Damaged power cables should only be replaced by a certified professional.

- Provide sufficient ventilation, otherwise smoke from open fires or fumes from equipment burning other fuels can be drawn into the room.

CAUTION! HOT SURFACE!

During the program, the back of the dryer will get very hot. Let the machine cool completely before touching the back.

WARNING!

This appliance must be properly grounded.

GROUNDING INSTRUCTIONS

A) Grounding instructions for a grounded, cord-connected appliance

In the event of malfunction or breakdown, grounding will reduce the risk of electric shock by providing a path of least resistance for electric current. This appliance (Canadian market only) is equipped with a cord having an equipment-grounding conductor and a grounding plug. The plug must be plugged into an appropriate outlet that is properly installed and grounded in accordance with all local codes and ordinances.

WARNING!

Improper connection of the equipment-grounding conductor can result in a risk of electric shock. Check with a qualified electrician or service representative or personnel if you are in doubt as to whether the appliance is properly grounded. Do not modify the plug provided with the appliance (Canadian market only). If it will not fit the outlet, have a proper outlet installed by a qualified electrician.

To reduce the risk of fire, this appliance must be exhausted outdoors or the equivalent. Do not exhaust into a chimney, wall, ceiling or concealed space in a building.

B) Grounding instructions for a permanently connected appliance:

This appliance must be connected to a grounded metal, permanent wiring system, or an equipment-grounding conductor must be run with the circuit conductors and connected to the equipment-grounding terminal or lead on the appliance.

NOTE!

This manual does not cover every possible condition and situation that may occur. Use common sense and caution when installing, operating, and maintaining any appliance.



SAFETY INSTRUCTIONS

INSTALLATION

See the separate installation instructions.

PACKING MATERIAL

Please sort waste materials in accordance with local guidelines..

RECYCLING

This machine is manufactured and labelled for recycling. In order to prevent personal injury, the machine must be made inoperable after deciding to take it out of service. Contact your local authority for information about where and how your machine should be correctly recycled.

CHILD SAFETY

⚠ WARNING!

DO NOT ALLOW CHILDREN TO PLAY WITH THE TUMBLE DRYER.

- If the door is opened when a programme is running the garments may be very hot, with a risk of burn injuries.
- The tumble dryer does not start automatically when the door is closed (if a child pulls the door shut from the inside, for example).

CHILD-SAFE START

By activating the child-safe start function you can prevent children from starting the tumble dryer or changing the current programme.

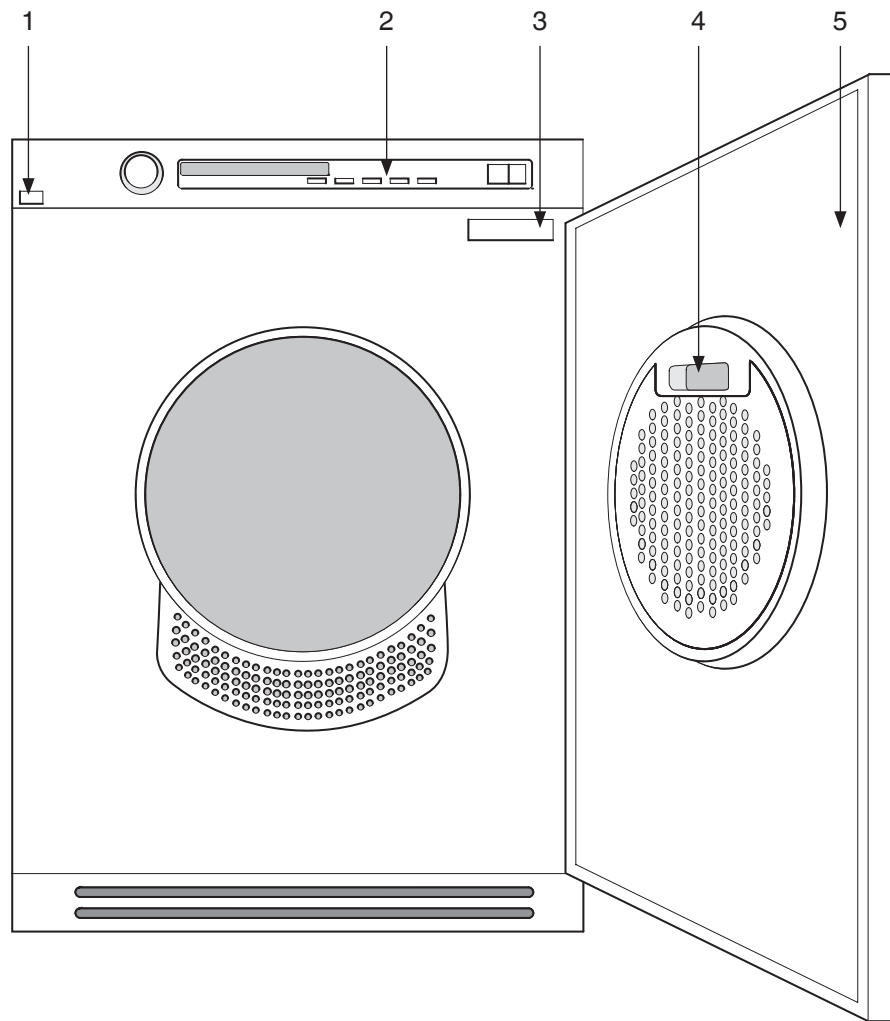
ACTIVATING/DEACTIVATING CHILD-SAFE START

1. Turn off the machine using the main power switch.
2. Press and hold the + button and the temperature selection button and turn on the main power switch.
3. Turn the programme selector and choose "Child-safe start off" or "Child-safe start on".
4. Press the Start button to save.

TO DEACTIVATE CHILD-SAFE START TEMPORARILY:

You can temporarily deactivate Child-safe start for three minutes by pressing the temperature button and the minus button under Delayed Start at the same time.

DESCRIPTION OF THE TUMBLE DRYER



1. Main power switch
2. Panel
3. Serial number tag and rating plate
4. Lint filter
5. Outer door




ADVICE AND TIPS BEFORE YOU TUMBLE-DRY

Here are some tips that may help you before you begin tumble-drying.

HAVE THE CLOTHES BEEN SPUN?

Items to be tumble-dried should be spun at 1000 rpm or faster. Higher spin speeds save energy and reduce drying time.


MATERIALS THAT CAN BE TUMBLE-DRIED

 This symbol means that the material is suitable for tumble-drying. Fabrics best suited to tumble-drying are cotton fabrics, terry cloth and synthetic fibres. Garments will be softer and lighter when tumbled than when hung out to dry.

NOTE!

The tumble dryer does not cause any significant wear on fabrics. The lint that collects in the lint filter consists of dust and fibre residues formed when the items are used.

MATERIALS THAT MUST NOT BE TUMBLE-DRIED

 This symbol means that the material is not suitable for tumble-drying. Certain materials may melt or become a fire hazard if exposed to heat, and others can lose their shape or shrink.

And do not tumble-dry:

- materials labelled "Do not dry near heat".
- garments that have been dry-cleaned at home.
- plastic foam.
- fibreglass material.
- wool must not be tumble-dried because of the risk of felting.

STATIC ELECTRICITY

To reduce the risk of static electricity in the laundry after tumble drying you can:

- Use fabric softener when washing.
- Wait five minutes after the drying program ends before opening the door and removing the laundry from the dryer.

NOTE!

You can stop the tumble dryer by pressing the Stop button for three seconds or by opening the door. In both cases the programme is stopped and starts from the beginning if restarted. If you do not want to restart the programme then immediately remove all laundry and spread it out to allow the heat to dissipate.



TUMBLE DRYING

⚠ WARNING!

To reduce the risk of electric shock or injury to persons, read the "Important Safety Instructions" section before operating this appliance.

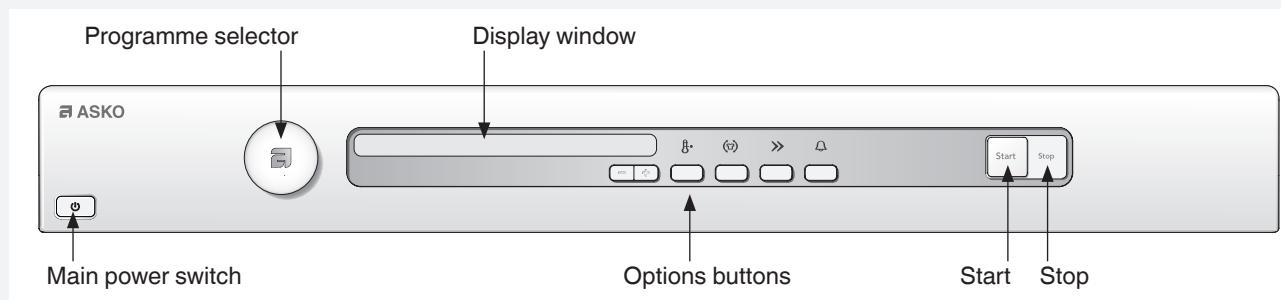
Below are step-by-step instructions to help you achieve the best possible tumble-drying results.

SORT YOUR FABRICS

You will achieve the most uniform drying results if the items are made of the same type of material. Do up zips and buttons, fasten belts, sort the items and adjust the load and temperature.

Press the main power switch until the display lights. Open the door, load the items and then close the door.

SELECT THE PROGRAMME



Select a programme by turning the programme selector. The selected programme is shown in the display window. Use the option buttons to select any options.

Guidelines as to what specific programmes can be used for:

Auto Heavy

Program with the maximum temperature. This program is for items that are particularly difficult to dry.

NOTE!

Knitted fabrics in particular are prone to shrinkage. Use the Auto Normal, Auto Delicate, or Auto Iron Dry programs for these items. Stretch clothes back into shape immediately after drying.

Auto Normal and Auto Delicate

These programs end automatically when the load is dry. The Auto Normal program leaves the laundry slightly more dry than Auto Delicate.

Auto Iron Dry

This program shuts off the heat once the load is just damp enough for ironing or pressing.

Jeans

Program for jeans and clothing with very thick seams.

Synthetic

Gentle program for synthetics.

Terry cloth

Program intended for large and small loads of thick terry cloth, such as towels and bathrobes.

Down

Gentle program that dries down items completely. Can be used to dry up to three pillows or one quilt.

Timed Dry

The most suitable program time depends on what you intend to do with the items after tumble drying them. Use trial and error to find out what works best. When you use Timed Dry to tumble dry a load of mixed fabrics, some of the garments may remain damp. Tumble dry any damp garments for a further 30 minutes or so using the Timed Dry program. Select the program time by pressing the + and - buttons. A program time between 30 minutes and 3 hours can be selected and each button press changes the time by 15 minutes.

NOTE!

When using the Timed Dry program with a program time that is too long, the garments can become "over-dry". This can cause items to shrink or wrinkle and feel rough to the touch. Synthetic materials can also become charged with static electricity.

Air Fluff

Use the Air Fluff program when you just want to refresh, air out, or soften up items.

Select the program time by pressing the + and - buttons. A program time between 15 minutes and 3 hours can be selected and each button press changes the time by 15 minutes.

TUMBLE DRYING

SELECTING OPTIONS

By selecting options, you can tailor a drying program to suit your requirements. The available options depend on the selected program. Once you have started the program, the options you selected are saved for the next time you use the same program. The exception is Delayed Start, which is not saved for the next time.

Temperature Low

You can select Temperature Low with all programs except Air Fluff .

- Select Temperature Low by pressing the button under the symbol.
- The symbol lights when Temperature Low is selected.

Buzzer Volume

You can choose to have the machine notify you when a program has finished or if an error has occurred.

- Select Buzzer Volume by pressing the button under the symbol.
- The symbol lights when Buzzer Volume is selected.

Time saver

You can select Time saver with all programs except Air Fluff. The program is shortened by about 12 minutes.

- Press the button under the symbol.
- The symbol lights when Time Saver is selected.

Anti Wrinkle

This option means that the drum will rotate for three seconds every minute for two hours after the drying program has finished. If you are unable to remove the items immediately after the program has finished, this option prevents the garments from remaining in the same position and becoming wrinkled. Cannot be selected with the Air Fluff program. If the Buzzer Volume option has also been activated, an audible signal will sound each time the drum rotates as a reminder that the drying program has finished.

- Select Anti Wrinkle by pressing the button under the symbol.
- The symbol lights when Anti Wrinkle is selected.

Delayed Start

First select which program you want to use and then select Delayed Start by pressing the + button. The display shows Delayed Start in whole hours. Press the + / - button to select a delayed start of 1 to 24 hours. The symbol for Delayed Start lights next to the number of hours. Press the Start button and the machine will count down 1 hour at a time and start after the selected delay. This option cannot be used with Timed Dry or Air Fluff .

PRESS THE START BUTTON

Remaining drying time

An estimate of the remaining drying time will be shown on the display a few minutes after the drying program starts. 1:35 means that it will take approximately 1 hour and 35 minutes for the load to dry. If the Anti Wrinkle option has been selected, the drum will rotate for three seconds every minute for two hours after the program is finished.

The actual remaining time may be longer than the estimated time shown on the display. The remaining time is then shown as 0:15 until the laundry is sufficiently dry. If you selected Time saver, the display will show 0:05 instead.

You can stop the tumble dryer by pressing the Stop button or by opening the door. In both cases the program is stopped and starts from the beginning if restarted.

NOTE!

The program will not be affected if you change the program selector after the program has started.

DRYING PROGRAMME FINISHED

The text End appears on the display when the program is finished. If the Anti Wrinkle option has been selected, the drum will rotate for three seconds every minute for two hours after the program is finished.

Backlighting

Two minutes after the drying program finishes the backlighting on the display and option buttons enters energy saving mode.

NOTE!

Clean the lint filter in the outer door after each load. See the Care and maintenance instructions chapter.

WARNING!

If the lint filter becomes clogged, the machine's automatic overheating cut-out may be triggered. Clean the filter, wait until the machine has cooled, then try starting it. If it still does not start: Call the Customer Care Center.

Once drying has finished

Turn off the main power switch. Remove the clothes and close the door to prevent small children from climbing into the machine.



TUMBLE DRYING

PROGRAMME CHART

Here we present the energy and time consumption of a few different programmes. The table shows the effect of using different spin speeds when washing the load. Consumption can vary depending on room temperature, humidity, load, variations in the power supply and selected options.

For the consumption values given below, the requirements are as follows:

Temperature of intake air:	73 °F
Moisture content of intake air:	55%
Drying temperature:	Normal
Heater output:	3000W

Programme	Material	Load	Spin speed (rpm)	Energy consumption approx. (kWh)	Programme time approx. (min)
Auto Heavy	Cotton, linen	1/1	600	9,9	248
			1000	9,4	240
			1200	8,2	213
			1400	7,0	184
Auto Normal	Cotton, linen	1/1	600	8,1	171
			1000	7,6	165
			1200	6,6	145
			1400	5,6	123
	Easy care, polyester/cotton	1/2	1000	1,8	38
Auto Delicate	Cotton, linen	1/1	600	7,8	161
			1000*	7,0	148
			1200	6,1	131
			1400	5,2	113
	Cotton, linen	1/2	1000*	3,4	69
	Easy care, polyester/cotton	1/2	600	2,5	50
Auto Iron dry	Cotton, linen	1/1	600	4,6	129
			1000	4,0	113
			1200	3,7	92
			1400	3,4	71

*Test program according to EN61121. The machine shall be tested at 16A and option "Time save" shall be active.



SETTINGS

YOU CAN ALTER THE FOLLOWING SETTINGS:

- Language
- KidSafe™ Child-safe

LANGUAGE

Follow these instructions:

1. Turn off the machine using the main power switch.
2. Press and hold the Start button and then press the main power switch.
3. Turn the program selector to choose from: US English, English, Svenska, Dansk, Norsk, Suomi, Français, Deutsch, Italiano, Espanol, Русский, Nederlands.
4. Press the Start button to save.

KIDSAFE™ CHILD-SAFE

Activating/deactivating Child-safe Start

1. Turn off the machine using the main power switch.
2. Press and hold the + button and the Temperature Low button and turn on the main power switch.
3. Turn the program selector and choose Child-safe On or Child-safe Off.
4. Press the Start button to save.

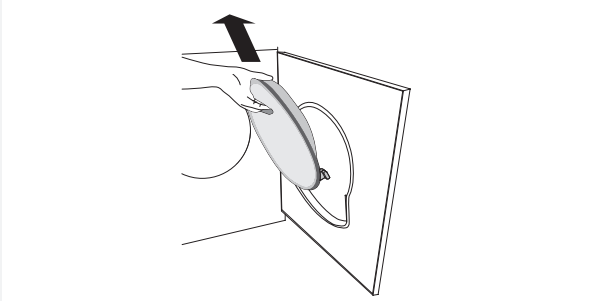
You can temporarily deactivate Child-safe Start for three minutes by pressing the Temperature Low button and the minus button under Delayed Start at the same time.

CARE AND CLEANING

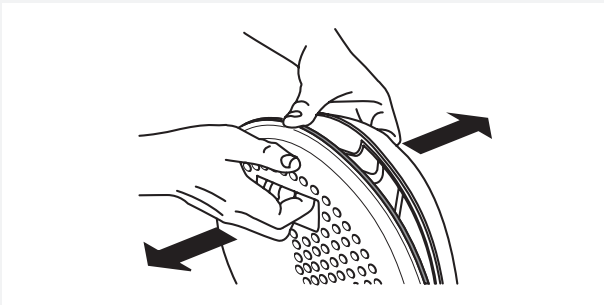
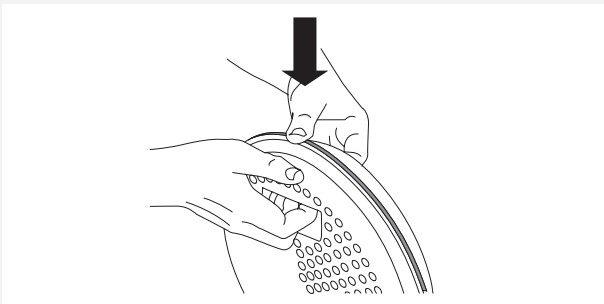
CLEANING THE LINT FILTER

The lint filter must be cleaned after each load.

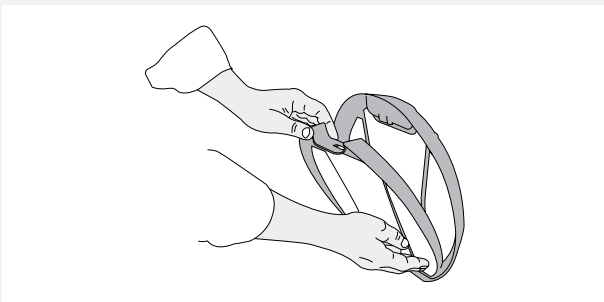
1. Lift the filter from the holder in the door.



2. Lift the filter from the holder in the door. Open the lint filter. Use your thumb to press on the edge as illustrated and pull it out.



3. Use your hand or a soft cloth to remove the lint from all sides of the filter. If necessary, use a damp sponge and a small amount of washing-up liquid to remove any deposits. Dry the filter thoroughly with a towel.



4. Close the lint filter and put it back in the door. Close the lint filter before closing the door.



TROUBLESHOOTING

NOTE!

When starting the tumble dryer for the first time or after a long period without use, you may notice a slight thumping noise. This noise is completely normal and will disappear after a few loads.

THE MACHINE WILL NOT START

Check:

- that the door is properly closed.
- that the main power switch is on.
- that the Delayed Start option has not been selected. To cancel Delayed Start, press the Stop button for three seconds.
- that the plug is connected.
- that the main fuses have not blown.
- that the overheating cut-out has not been triggered.

⚠ WARNING!

If the lint filter not is cleaned regularly, the machine's automatic overheating cut-out may be triggered because of to high temperature. The heaters in the machine will then switch off and the drum will continue to spin to cool down the machine.

Call the service division if:

- Heating fault appears on the display.
- Max program time is shown frequently in the display and the laundry does not get dry. (Overheating protection may have been tripped.)

THE MACHINE LOSES ALL POWER DURING A PROGRAM

The overheating cut-out shuts off the tumble dryer if the temperature is too high, e.g. because dust is clogging the lint filter.

- Clean the lint filter.
- Wait until the machine has cooled then try starting it. If it still does not start: Call the service division.

DRYING TAKES TOO LONG

- Check that the lint filter is not clogged (see the Care and cleaning chapter).

ERROR MESSAGES

- Read Drying takes too long in this chapter if Max program time appears on the display.
- If Clean Lint Filter appears on the display, clean the lint filter.
- Call the service division if Thermistor fault appears on the display.
- Press the Stop button to close any error messages.



TECHNICAL INFORMATION

Height:	33 1/2" (850 mm)
Width:	23 1/2" (595 mm)
Depth:	29 1/3" (745 mm)
Weight (net):	99 lb (45 kg)
Cylinder volume:	38,3gal (145 l)
Max. drying capacity:	24 lb (11 kg)
Speed:	50-55 rpm
Sound pressure level:	The sound pressure level is below 66 dB(A)
Rated power:	See type plate.
Drum material:	Stainless steel
Outer casing material:	Powder-coated and hot-galvanized sheet steel or stainless steel
Setup:	Stacking or freestanding

SERVICE AND GUARANTEE

LIMITED WARRANTY – RESIDENTIAL APPLIANCES

ASKO Distribution North America, LLC. (hereinafter “ASKO”) warrants the original purchaser (the “ASKO Customer”) of the ASKO product (the “ASKO Product”), who purchased the appliance from a distributor, dealer, manufactures representative or other seller who has been authorized by ASKO (“Authorized ASKO Dealer”), that this ASKO Product is free of defects in material and workmanship, subject to the terms and conditions set forth herein. The limited warranty covers parts and labor, except as set forth in this Limited Warranty. Service must be provided by an ASKO designated service company. YOUR SOLE AND EXCLUSIVE REMEDY UNDER THIS LIMITED WARRANTY SHALL BE PRODUCT REPAIR AS PROVIDED HEREIN. The limited warranty is valid only in the United States or Canada and applies only when the appliance is used in the country in which it was purchased. Proof of original purchase date is required to obtain service under this limited warranty.

Residential ASKO Products Used Exclusively for Household/Personal Purposes:

Two (2) Years limited Warranty – Any warranty service claims for residential ASKO Products must be filed with ASKO within two (2) years from date of purchase.

Residential ASKO Products Not Used Exclusively for House Hold Purposes, used Commercially or Use in marine, Mobile or Aeronautical Applications:

One (1) Year limited Warranty – Any warranty service claims for ASKO Products not used exclusively for household and personal use, used commercially or used in marine, mobile, or aeronautical application must be filed with ASKO within One (1) year from date of purchase.

ITEMS EXCLUDED FROM WARRANTY

This limited warranty does not cover:

1. Replacement parts or repair labor if this appliance is used in a manner that is inconsistent to published user or operator instructions and or/or installation instructions.
2. Service calls to correct the installation of your appliance, to instruct you on how to use your appliance, to replace or repair house fuses, or to correct house wiring or plumbing.
3. Consumable parts are excluded from warranty coverage.
4. Damage resulting from accident, alteration, misuse, abuse, fire, flood, acts of God, improper installation, installation not in accordance with electrical or plumbing codes, or use of products not approved by ASKO.
5. Cosmetic damage, including scratches, dents, chips or other damage to the finish of your appliance, unless such damage results from defects in material or workmanship and is reported to ASKO within 5 days from date of purchase.
6. Pickup and delivery. This appliance is intended to be repaired in your home.
7. Repairs to parts or systems resulting from unauthorized modifications made to the appliance.
8. Expenses for travel and transportation for product service if your appliance is located in a remote area where service by an authorized ASKO servicer is not available.
9. The removal and reinstallation of your appliance if it is installed in an inaccessible location or is not installed in accordance with ASKO's published installation instructions.
10. Replacement parts or repair labor on appliances with original model/serial numbers that have been removed, altered or cannot be easily determined.

DISLCAIMER OF IMPLIED WARRANTIES

YOUR SOLE AND EXCLUSIVE REMEDY UNDER THIS LIMITED WARRANTY SHALL BE PRODUCT REPAIR AS PROVIDED HEREIN. ASKO SHALL NOT BE LIABLE FOR INCIDENTAL OR CONSEQUENTIAL DAMAGES. Some states and provinces do not allow the exclusion or limitation of incidental or consequential damages, so these limitations and exclusion may not apply to you. This warranty gives you specific legal rights, and you also may have other rights that vary from state to state or province to province.

If you think you need repair service, first see the “Trouble Shooting” section of the Use & Care Guide.

If you are unable to resolve after checking “Trouble Shooting” additional help can be found by calling ASKO Customer Care at 1-800-898-1879

SERVICE AND GUARANTEE

BEFORE CONTACTING THE CUSTOMER CARE CENTER

Before you contact the Customer Care Center, make sure you know the model designation, type designation, and serial number.

The model designation (1) can be found on the first page of the operating instructions and on the machine panel.

The type designation (2) and serial number (3) can be found on the type plate, which is found on the front of the tumble dryer inside the outer door.

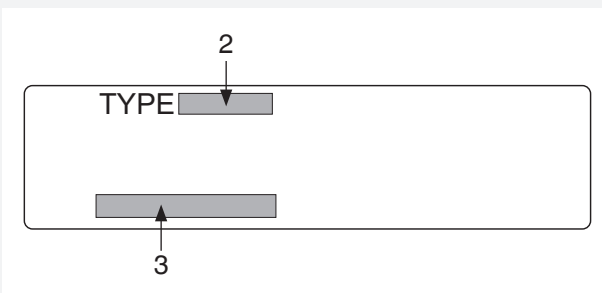
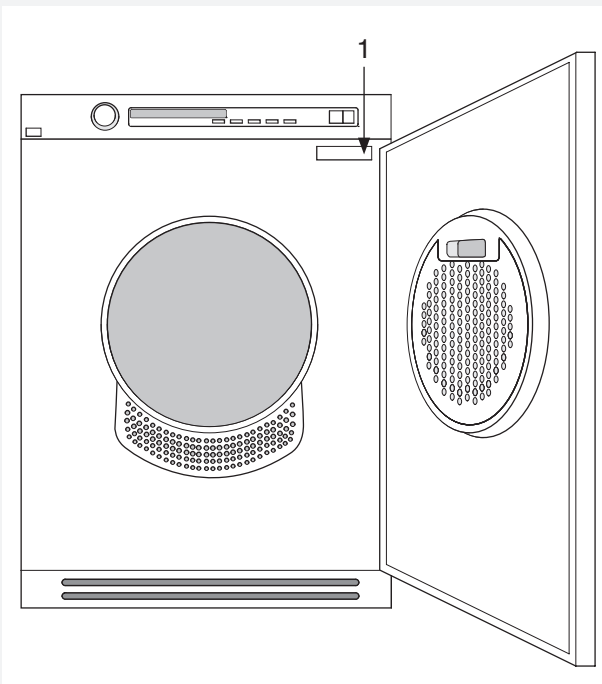
Should you need further assistance, you can write to ASKO Appliances with any questions or concerns at the address below:

ASKO Distribution North America, LLC.

Customer Care Center

PO Box 44848

MADISON WI 53744



INSTALLATION

INSTALLATION

See the separate installation instructions included in the set of documents.

ELECTRICAL INSTALLATION

Connect the machine by plugging it into an earthed wall socket. The electrical wall socket must be placed outside of the installation area to be easily accessible.

CONNECTION ON DELIVERY

- 208-240 V, 1-phase, 15 A
- 60 Hz
- Heat output 3000 W
- Use a type A residual-current device.

SWITCH-OVER

The switchover must be performed by a qualified electrician.

1. The switchover must be performed by a qualified electrician.
2. Press and hold the Temperature selection button and then press the main power switch.
3. Turn the programme selector and choose between: Heater 2 On (3000 W/15 A) and Heater 2 Off (1950 W/10 A).
4. Press the Start button once to save your selection.

⚠ WARNING !

Risk of fire.

Install the clothes dryer according to the manufacturer's instructions and local codes.

Do not install a clothes dryer with flexible plastic venting materials. If flexible metal (foil type) duct is installed, it must be of a specific type identified by the appliance manufacturer that is UL approved for use with clothes dryers. Flexible venting materials are known to collapse, be easily crushed, and trap lint. These conditions will obstruct clothes dryer airflow and increase the risk of fire.

To reduce the risk of severe injury or death, follow all installation instructions.

SAVE THESE INSTRUCTIONS FOR FUTURE REFERENCE.

POSITIONING THE TUMBLE DRYER

The tumble dryer can be freestanding or stacked. Remember that the tumble dryer produces heat and should therefore not be located in a room that is too small. If the room is very small, drying will take longer due to the limited quantity of air.

⚠ WARNING !

- Clothes dryer installation must be performed by a qualified installer.
- For proper ventilation, the machine should not be installed behind a door.
- The tumble dryer's toe kick ventilation must not be blocked by a rug or the like.

NOTE!

If the unit must be installed behind a door, the door should be louvered. (please see door ventilation requirements in the Built-in chapter). To improve ventilation, the door where the tumble dryer is located should be left open when the dryer is in use.

Freestanding

The tumble dryer can be positioned beside the washing machine.

Stacking

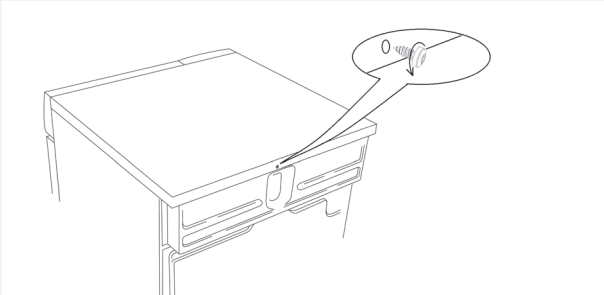
The tumble dryer can be placed on top of a ASKO washing machine. In this case you use the stacking attachments (foot cups and anti-tilt devices) that come with the machine. Two rubber feet and two anti-tipping brackets are supplied in the bag found in the drum of the dryer.



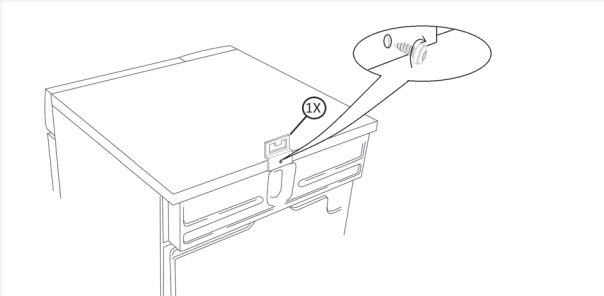
INSTALLATION

How to assemble the stack:

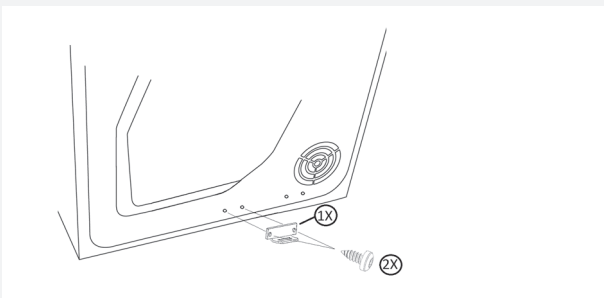
1. Undo the screw on the back of the ASKO washing machine as shown in the figure.



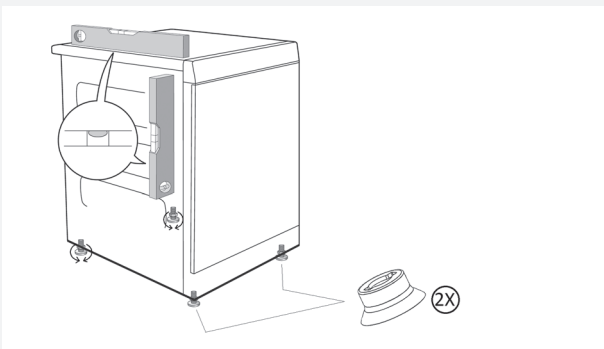
2. Secure the anti-tilt device using the screws as shown in the picture.



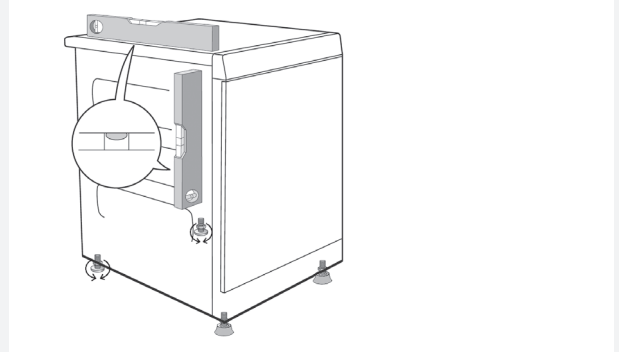
3. Take the other anti-tipping bracket from the bag and attach it on the dryer with two screws as shown in the figure.



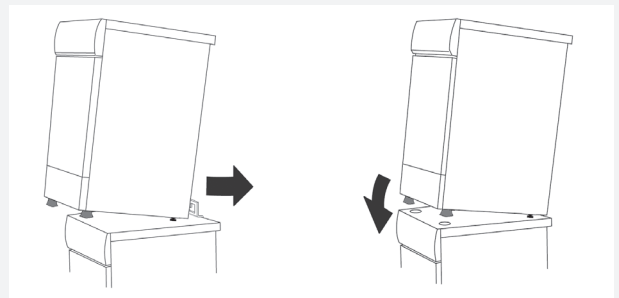
4. Place the two rubber feet on the front feet of the dryer.



5. Fasten or undo the rear feet of the appliance until it is fully level, either on the floor or on the washing machine.

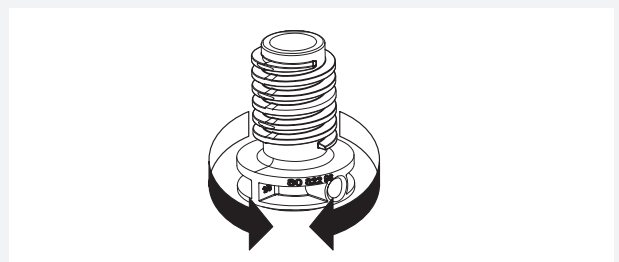
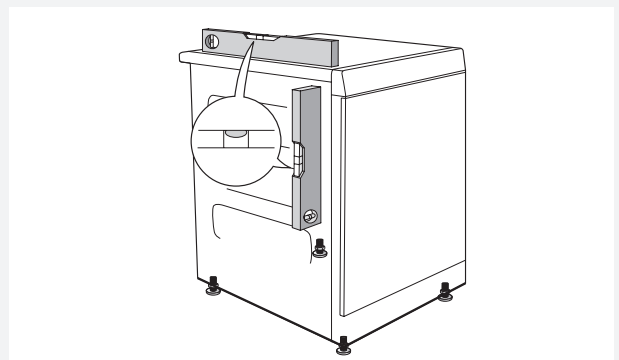


6. Slide the dryer backward until it reaches the anti-tipping bracket. Make sure the front of the appliance is raised by 50 to 150 mm as you slide it back.



ADJUSTING THE FEET

Screw the feet in or out so that the tumble dryer is steady and balanced on the floor or on the washing machine.



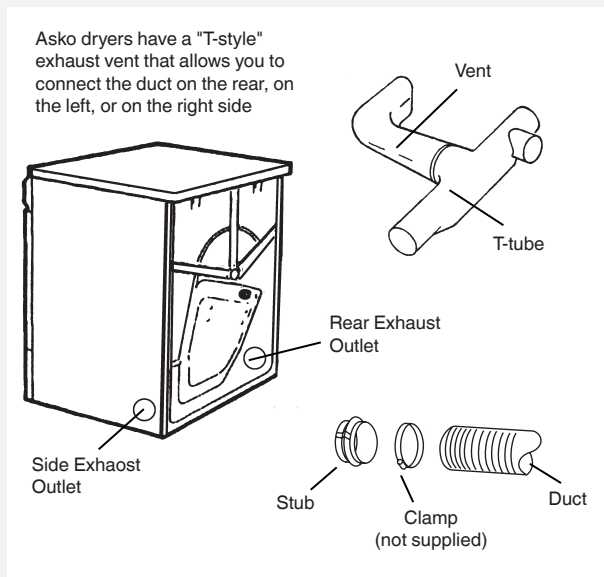
INSTALLATION

AIR EXHAUST

Connecting the exhaust duct to the dryer

NOTE!

You will need to purchase a UL-CSA-approved 4" ridged metal exhaust duct. The dryer is delivered with the stub pipe attached to the rear exhaust outlet, though the exhaust duct can be attached to either the left or the right exhaust outlet.



The duct must not be assembled with screws or other fasteners that extend into the duct and catch lint.

To connect the exhaust duct to the rear outlet

To connect the exhaust duct to the rear outlet, follow the steps below:

1. Push the duct onto the stub pipe and secure it with a clamp
2. With the duct attached, insert the stub pipe into the hole. It should snap into place.
3. After you push the dryer into place, check for kinks in the duct.

NOTE!

Excessive duct length and too many bends can impede drying performance. We recommend that you cut off any excess exhaust duct and run the duct with as few bends as possible. Make any necessary bends as gentle as possible.

NOTE!

Maximum duct length of 60 feet. A maximum of 4 elbows may be used, but 4 feet of duct must be subtracted from the total vent length for every 90° elbow used.

CONNECTING THE EXHAUST DUCT TO THE LEFT OR RIGHT SIDE OUTLET

To connect the exhaust duct to the left or right side outlet, follow the steps below:

1. Using a flathead screw-driver, turn the exhaust outlet cover you plan to use to the right or left to align the tabs holding the cover in place.
2. Remove the exhaust outlet cover.
3. Remove the stub pipe from the rear exhaust outlet and place it in the outlet you plan to use.
4. Push the duct onto the stub pipe and secure it with a clamp.
5. With the duct attached, insert the stub pipe into the hole. It should snap into place.
6. After you push the dryer into place, check for kinks in the duct.
7. Use the exhaust outlet cover you removed from the to cover the rear exhaust outlet.

⚠ WARNING !

To reduce the risk of fire, this appliance must be exhausted OUTDOORS or the equivalent. Never cover the end of the dryer stub or exhaust duct with anything to catch lint, except for UL approved vent basket.

Connexion à une gaine de ventilation Utilisez une gaine d'évacuation en métal spiralé de 4 pouces (10 cm), conformément aux normes UL-CSA. En cas d'utilisation d'une gaine flexible, celle-ci doit être conforme à la Directive « Outline for Clothes Dryer Transition Duct ». Sujet 2158A, avec une longueur maximale de 2,4 m (8 pieds).

CONNECTING TO A VENTILATION DUCT

You will need a UL-CSA-approved, 4-inch ridged metal exhaust duct. If a flexible duct is used, it must comply with the Outline for Clothes Dryer Transition Duct. Subject 2158A and maximum length of 2.4 m (8 feet).

NOTE!

The more bends and the longer the duct, the less air will circulate through the machine, which will impede drying performance. We recommend that you cut off any excess exhaust duct and run the duct with as few bends as possible. And make any necessary bends as gentle as possible.

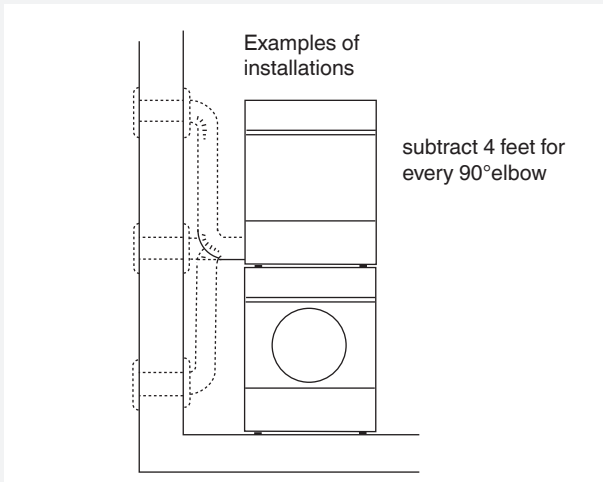
NOTE!

Maximum duct length of 60 feet. A maximum of 4 elbows may be used, but 4 feet of duct must be subtracted from the total vent length for every 90° elbow used.

INSTALLATION

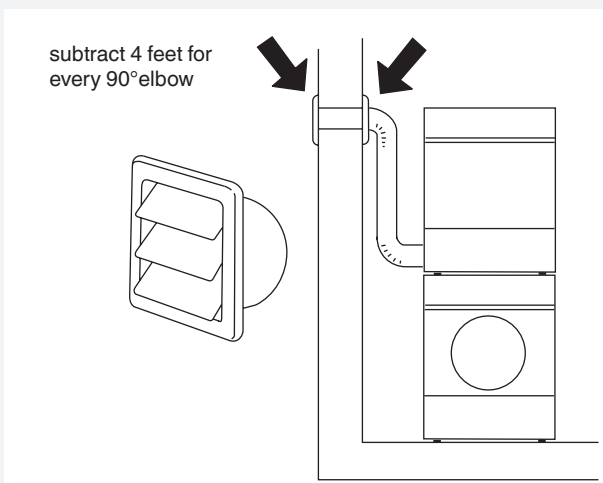
NOTE!

When installing in warm climates (77° F and above) with high humidity levels, do not route the air exhaust duct upwards.



TO CONNECT THE EXHAUST DUCT TO A VENTILATION OUTLET, FOLLOW THE STEPS BELOW:

1. Connect the exhaust duct to a ventilation exhaust fitting or to a discharge through the wall.
2. Secure the duct joint to the outlet stub on the machine.
3. Run the duct with as few bends as possible to the point of discharge.



⚠ WARNING !

This appliance shall not be exhausted into a chimney, a wall, a ceiling, an attic, a crawl space or a concealed space of a building. Only a rigid or flexible metal duct shall be used for exhausting. Only a metal ventilation grill shall be used. If the duct is taken to a wall outlet, a ventilation grill shall be fitted to prevent reverse flow of cold air. Fit the ventilation grill to the outside of the wall.

ELECTRICAL INSTALLATION

⚠ WARNING !

The receptacle on the rear of the machine is designed to accommodate ASKO washers ONLY (rated 208–240 V.) To use this receptacle, you must use the ready-fitted plug supplied with the washing machine or an equivalent.

ASKO washers rated 208–240 V have two internal fuses of 15 A each.

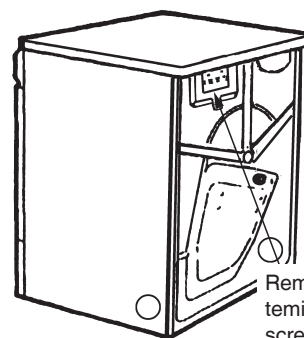
The machine should only be connected to a grounded wall socket.

⚠ WARNING !

This appliance must be properly grounded. Refer to the "Important Safety Instructions" for grounding instructions.

The power supply cord must be grounded. If the machine is to be used in a wet area, the supply must be protected by a residual current device.

Connection to a permanently wired supply point must be made only by a qualified electrician. As supplied: Single-phase, 230 V, 60 Hz, 3000W heater rating 30 A circuit required - only a power-supply cord kit rated 230 V min, 30 A, and marked for use with clothes dryers shall be used.



INSTALLATION

Electrical Connections !

⚠ WARNING !

Read the Electrical requirements and grounding instructions before connecting the tumble dryer.

Electric models of the dryer are manufactured for a 3-wire connection system. The dryer frame is grounded by a link to the neutral conductor on the dryer terminal block. If local codes do not permit grounding through the neutral, the grounding link from the terminal block must be removed and a separate ground wire must be used.

Only a 4-conductor cord shall be used when the appliance is installed in a location where grounding through the neutral conductor is prohibited. Grounding through the neutral conductor is prohibited for new branch-circuit installations, mobile homes, recreational vehicles, and areas where local codes prohibit grounding through the neutral conductors. The grounding link on the dryer must be removed for all 4-wire installations.

These Electrical Connection instructions provide for installing the dryer in the following situations:

3-wire connection where local codes permit grounding through the neutral. 3-wire connection plus separate grounding connector where local codes do not permit grounding through the neutral.

4-wire connection.

Each of the above connections can be made with an approved power supply cord or by direct wiring. Each connection instruction identifies the appropriate Power Supply Cord and covers requirements for direct wiring.

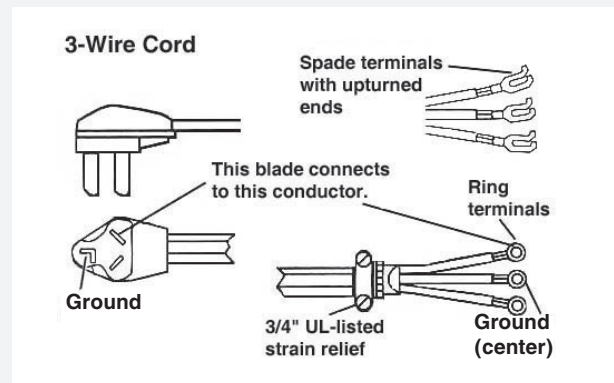
NOTE!

In Canada, the dryer is delivered ready-fitted with a four-prong plug intended for connection to a single-phase supply.

Connecting a 3-wire Power Cord

⚠ WARNING !

Before starting this procedure, be sure the power is turned off at the breaker/fuse box.



Power Supply Cord

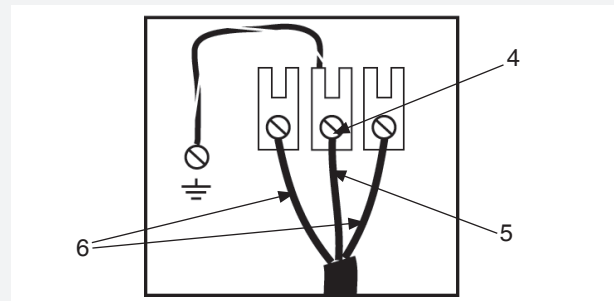
You will need a 3-wire power supply cord with three No. 10 copper wires and a matching 3-wire receptacle of NEMA Type 10-30R, as illustrated below:

To connect a 3-wire power cord to the dryer, follow the steps below.

NOTE!

The numbers in the illustration correlate to the step numbers.

1. Turn the power off at the breaker or fuse box.
2. Remove terminal block cover.
3. Use the strain relief attached below the terminal block opening.
4. Loosen or remove center terminal block screw.



5. Connect ground (center) wire of power supply cord to the center, silver-colored terminal screw. Tighten screw.
6. Connect the other wires to outer screws.
7. Tighten the strain relief screws.
8. Replace terminal box cover on back of dryer.

INSTALLATION

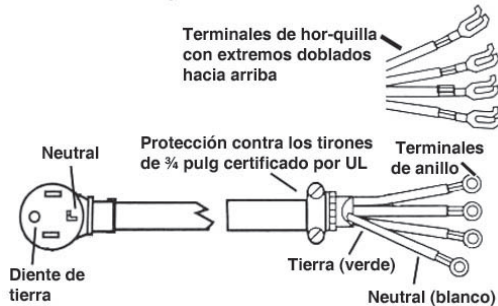
9. Plug dryer into wall receptacle.
10. Turn power on at breaker/fuse box.

Connecting a 4-wire Power Cord

⚠ WARNING !

Before starting this procedure, be sure the power is turned off at the breaker/fuse box.

Cordón de Energía de Cuatro Cables



Power Supply Cord

You will need a 4-wire power supply cord with four No. 10 copper wires and a matching 4-wire receptacle of NEMA Type 14-30R, as illustrated below.

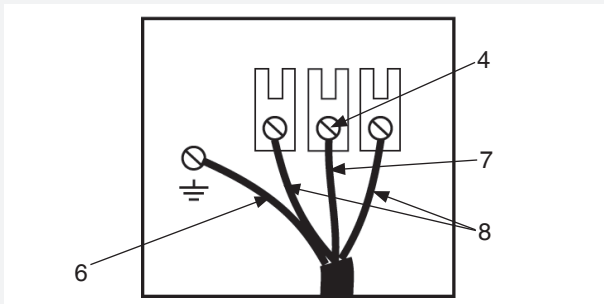
The fourth wire must be identified with a white cover and the ground conductor by a green cover.

To connect a 4-wire power cord to the dryer, follow the steps below.

NOTE!

The numbers in the illustration correlate to the step numbers.

1. Turn the power off at the breaker/fuse box.
2. Remove terminal block cover.
3. Use the strain relief attached below the terminal block opening.
4. Remove center terminal block screw.

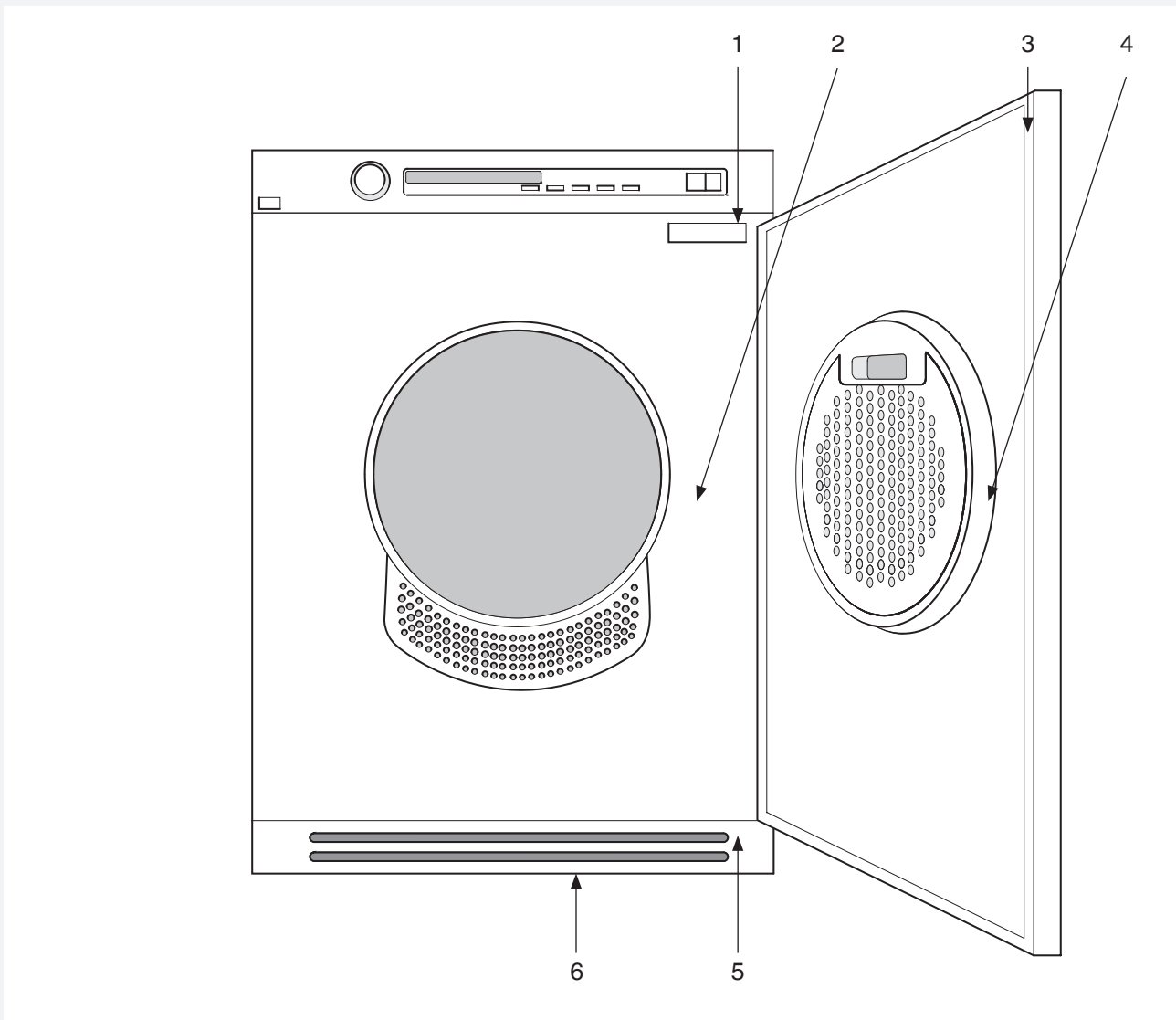


5. Remove ground wire (green with yellow stripes) from external ground connector screw and remove from

center terminal block.

6. Connect ground (green) wire of cord to external ground conductor screw.
7. Connect neutral (white) wire of cord under center screw of terminal block.
8. Connect the other wires to outer screws.
9. Tighten the strain relief screws.
10. Replace terminal box cover on back of dryer.
11. Plug dryer into wall receptacle.
12. Turn power on at breaker/fuse box.

REVERSING THE DOOR



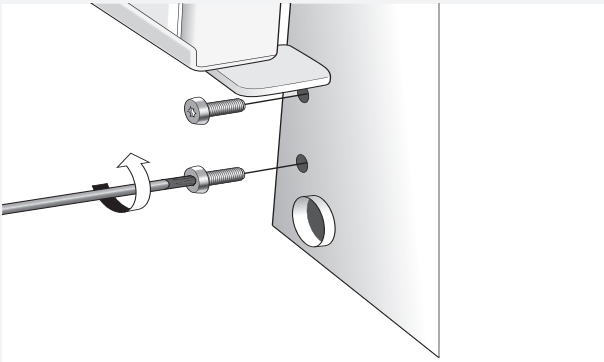
1. Hinge pins (top and bottom)
2. Cover plate
3. Plastic plugs (on the upper and lower edges)
4. Locking hook
5. Hinges (left + right side)
6. Plinth

REVERSING THE DOOR

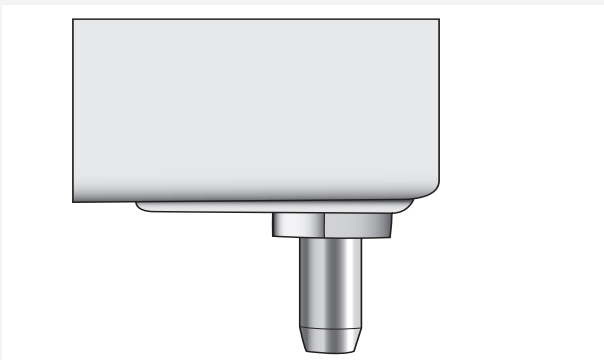
You can choose whether the door is hung on the right or the left.

Follow these instructions:

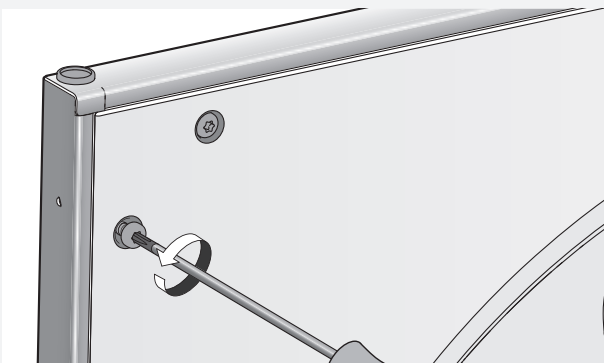
1. Remove the Toe kick.
2. Remove the hinge (two screws).



3. Lift the door up and remove it. Support the door while doing this.
4. Remove both door pins (top and bottom). Fit them on the other side of the machine. Replace the hinge.

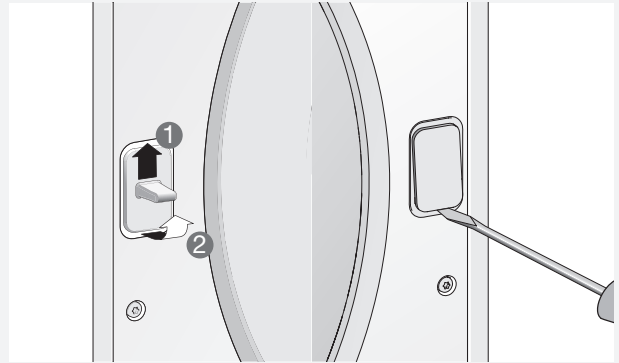


5. Loosen the screws (13 in total) on the inside of the door.

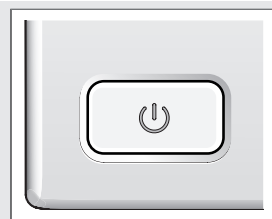


6. Move the plastic plugs on the upper and lower edges of the door. Use a flat screwdriver to remove the plugs.

7. Refit the door by loosening the hinge screws slightly, affixing the door, and closing it. Tighten the hinges. Replace the Toe kick.



QUICK GUIDE



1.

TURN ON THE MAIN POWER SWITCH

Load the garments. Close the door.



2.

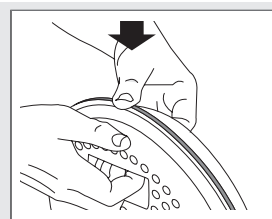
SELECT A PROGRAM AND ANY OPTIONS

Turn the program selector to the desired program.



3.

PRESS THE START BUTTON



4.

DRYING PROGRAM FINISHED

The text End appears on the display when the programme is finished.

Clean the lint filter after each load.

Turn off the main power switch.

Close the door.

We reserve the right to make changes.

ASKO

Swedish quality since 1950

www.askona.com

