

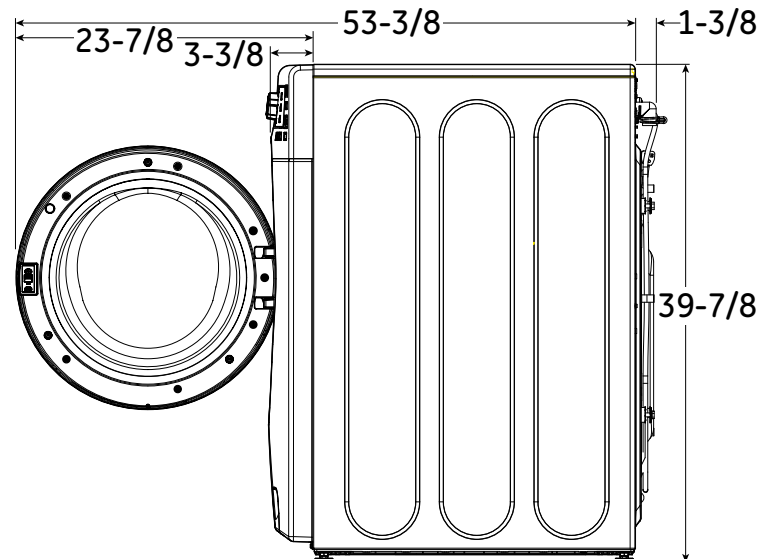
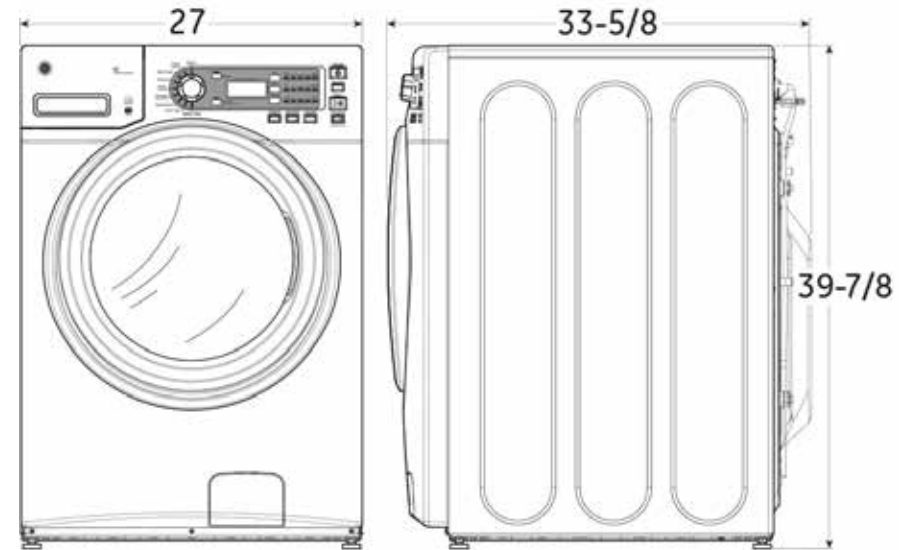
# GFWS1500D

## GE® ENERGY STAR® 4.1 DOE cu. ft. stainless steel capacity front load washer with Steam

### Dimensions and Installation Information (in inches)

Electric Rating	
120V	12.0A, 60Hz

**Installation Information:** For complete information, see installation instructions packed with your washer.



For answers to your Monogram,® Profile Series or GE appliance questions, visit our website at [geappliances.com](http://geappliances.com) or call GE Answer Center® service, 800.626.2000.



imagination at work



Listed by  
Underwriters  
Laboratories

# GFWS1500D

## GE® ENERGY STAR® 4.1 DOE cu. ft. stainless steel capacity front load washer with Steam

### Special Installation Requirements:

#### Stacked Installation:

- Brackets for stacking dryer over washer are not included with the washer. Order part no. GEFLSTACK or part no. WE25X10018.

#### Alcove or Closet Installation:

- If your dryer is approved for installation in an alcove or closet, it will be stated on a label on the dryer back.
- The dryer MUST be exhausted to the outside.
- Minimum clearances between dryer cabinet and adjacent walls or other surfaces are: 0" either side, 3" front and rear
- Minimum vertical space from floor to overhead cabinets, ceilings, etc. is 52".
- Closet doors must be louvered or otherwise ventilated and must contain a minimum of 60 sq. in. of open area equally distributed. If this closet contains both a washer and a dryer, doors must contain a minimum of 120 sq. in. of open area equally distributed.
- No other fuel-burning appliance shall be installed in the same closet with a gas dryer.

#### Bathroom or Bedroom Installation:

- The dryer MUST be exhausted to the outdoors.
- The installation must conform with the local codes, or in the absence of local codes, with the National Electric Code and National Fuel Gas Code, ANSI Z223.

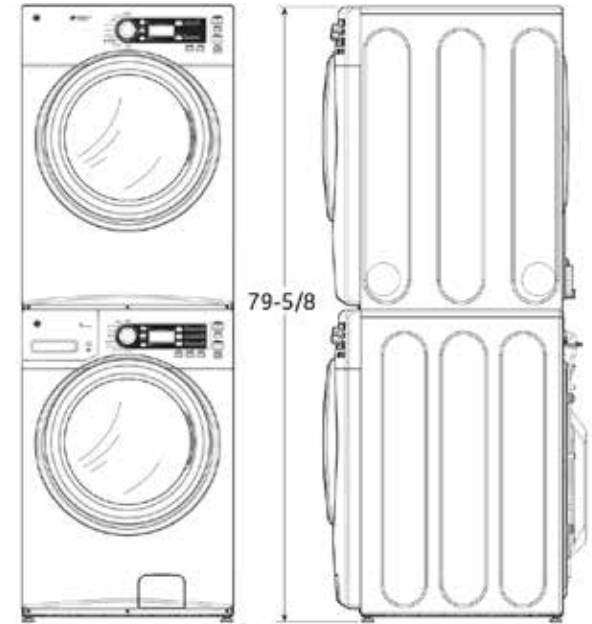
#### Minimum Clearance other than Alcove or Closet Installations:

- Minimum clearances to combustible surfaces 0" both sides, 3" rear.

**For more information on venting kits and accessories, please call 1-800-GE-CARES.**

For answers to your Monogram® Profile Series or GE appliance questions, visit our website at [geappliances.com](http://geappliances.com) or call GE Answer Center® service, 800.626.2000.

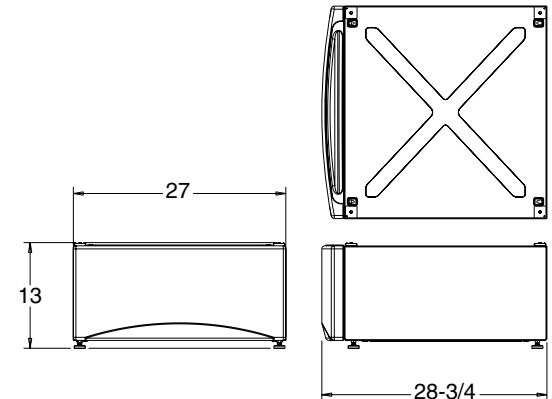
### Stacked Dimensions (in inches)



### Pedestal Dimensions (in inches)

#### SBSD137HWW - white

This optional 13" pedestal raises the door opening and height of the washer or dryer. Feet on 13" pedestal allow it to adjust to 13-3/8" height.

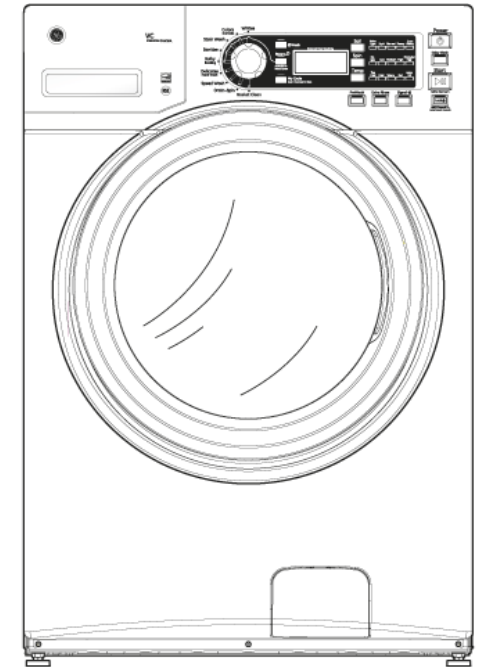


# GFWS1500D

GE® ENERGY STAR® 4.1 DOE cu. ft. stainless steel capacity front load washer with Steam

## Features and Benefits

- Stain Wash Cycle - Tackles the toughest stains, from fresh grass marks to food spills
- Internal water heater - Boosts water temperatures and helps achieve sanitization
- Steam Assist - Penetrates deep into fabric fibers, loosening stains like tomato and grass, yet protects your fabric
- eWash Cold Wash Technology - Energy-saving option uses a cold water wash on select cycles without sacrificing performance
- Bulky Bedding cycle - Washes larger items, such as comforters, blankets and jackets
- Vibration Control - Adjusts spin patterns for each floor typed for a smoother wash without walking or shaking
- 1100 RPM spin speed - Fast speeds remove more water during the spin cycle to minimize drying time
- Speed Wash - Provides a quick wash for lightly soiled items that are needed in a hurry
- Load-sensing adaptive fill - Washer automatically fills with just the right amount of water for the load
- Model GFWS1500DWW – White



Modified Energy Factor (MEF)	2.65
Water Factor (WF)	3.6

