

GTWN7450H

GE® 5.0 DOE cu. ft. capacity washer with stainless steel basket

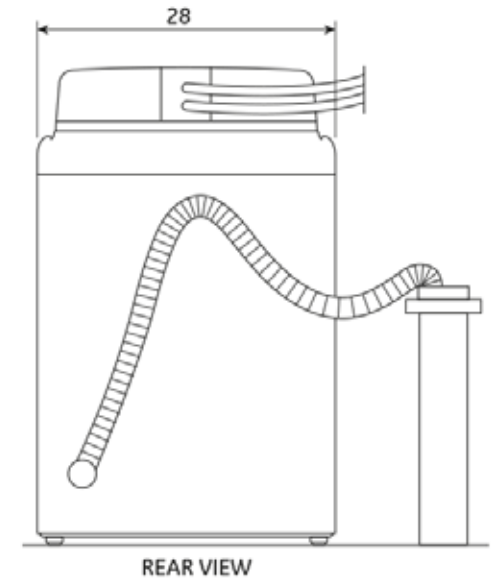
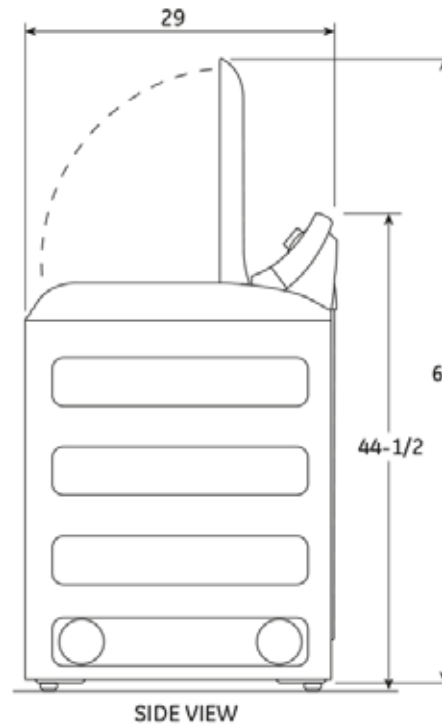
Dimensions and Installation Information (in inches)

Circuit Requirements: An individual, properly-grounded branch circuit, with a three-prong grounding-type receptacle, protected by a 15 or 20 amp circuit breaker or a time-delay fuse, is required.

Electrical Rating: 120V, 60Hz, 10A

Note: Washer wall outlet must be located within 36" of service code entry. Wall outlet must not be located behind dryer.

Installation Information: Before installing, consult installation instructions packed with product for current dimensional data.



imagination at work

For answers to your Monogram®, Profile Series or GE appliance questions, visit our website at geappliances.com or call GE Answer Center® service, 800.626.2000.



Listed by
Underwriters
Laboratories

Specification Created 1/14

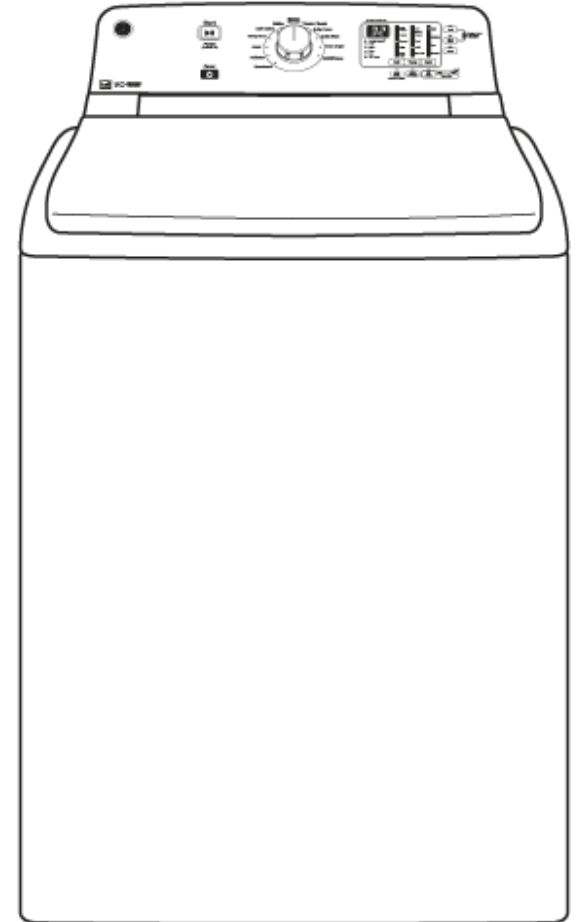
360130

GTWN7450H

GE® 5.0 DOE cu. ft. capacity washer with stainless steel basket

Features and Benefits

- ENERGY STAR® qualified and CEE Tier III meets or exceeds federal guidelines for energy efficiency for year-round energy and money savings
- Vibration Control - Quietly washes any size load without vibration thanks to technology that optimizes spin patterns for off-balance loads
- eWash Cold Wash Technology - Energy saving option uses a cold-water wash on select cycles without sacrificing performance
- eMonitor - Get the energy-saving insight you need to reduce your utility bills with an electronic readout that shows the efficiency level of each load
- Speed Wash provides a quick wash for lightly soiled items that are needed in a hurry
- Bulky items - Convenient cycle for comforters and pillows
- Model GTWN7450HWW - White



Modified Energy Factor (MEF)	2.78
Water Factor (WF)	3.7



imagination at work

