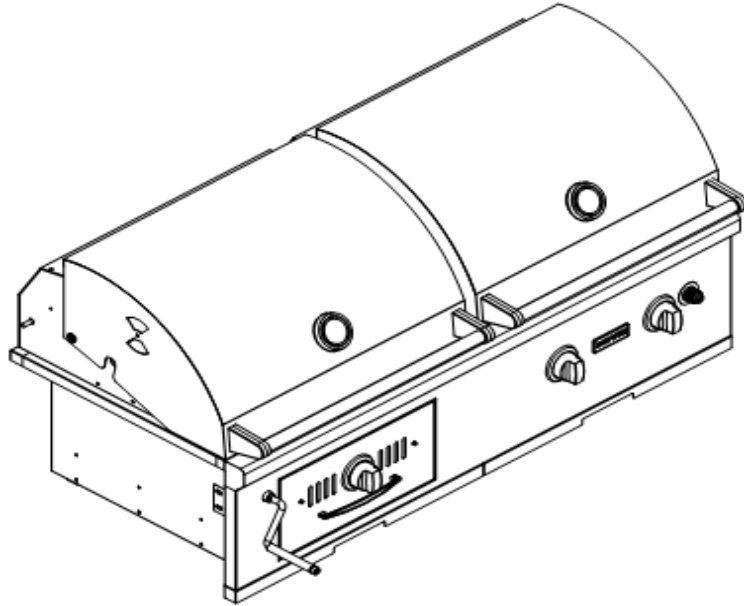


## Coyote Stainless Steel Hybrid Grill Use & Care Manual

*For Charcoal and LP/NG Models*

### Built-in Model



### Coyote Stainless Steel Hybrid Charcoal and Gas Grill (CH50LP / CH50NG)



Conforms to  
ANS Z21.58b-2012/  
CSA 1.6b-2012

**For Outdoor Use Only**

PUT SERIES NO. LABEL HERE

**IMPORTANT:** Read the lighting instruction on Page 15 before first time use!  
**To installer or person assembling grill:** Leave this manual with grill for future reference.  
**To consumer:** Keep this manual for future reference.

---

**COYOTE OUTDOOR LIVING, INC.**  
[www.coyoteoutdoor.com](http://www.coyoteoutdoor.com)

## **Welcome & Congratulations**

Congratulations on your purchase of a new grill! We are very proud of our product and we are completely committed to providing you with the best service possible. Your satisfaction is our #1 priority.

Please read this manual carefully to understand all the instructions about how to install, operate and maintain for optimum performance and longevity.

We know you'll enjoy your new grill and thank you for choosing our product. We hope you consider us for future purchases.

### **Please read and save the instructions**

This manual provides specific operating instructions for your model. Use your grill only as instructed in this manual. These instructions are not meant to cover every possible condition and situation that may occur. Common sense and caution must be practiced when installing, operating and maintaining any appliance.

## Table of Contents

Safety Instructions.....	2
Grill Model .....	4
Locating the Grill .....	4
Gas Requirements .....	6
Using Your Burners & Grilling.....	13
Lighting Your Grill.....	15
Operation and Features.....	20
Care & Maintenance.....	21
Troubleshooting Your Grill.....	24
Limited Warranty.....	26
Parts Listing.....	28

### • WARNING

#### **IF YOU SMELL GAS:**

1. Shut off gas to the appliance.
2. Extinguish any open flame.
3. Open Lid.
4. If odor continues, keep away from the appliance and immediately call your gas supplier or your fire department.

## Safety Symbols

### • WARNING

**DANGER** indicates an imminently hazardous situation which, if not avoided, will result in death or serious injury.

### • WARNING

#### **WARNING:**

1. DO NOT store or use gasoline or other flammable liquids or vapors in the vicinity of this or any other appliance.
2. An LP cylinder not connected for use shall not be stored in the vicinity of this or any other appliance.

### • CAUTION

**CAUTION** indicates a potentially hazardous situation which, if not avoided, may result in minor or moderate personal injury, or property damage.

### • WARNING

#### **FOR OUTDOOR USE ONLY:**

NEVER operate grill in enclosed areas, as this could lead to gas accumulating from a leak, causing an explosion or a carbon monoxide buildup which could result in injury or death. DO NOT use your grill in garages, breezeways, sheds or any enclosed area. NOT FOR USE BY CHILDREN. If these instructions are ignored, a hazardous fire or explosion could result in physical injury, death or property damage!

### • WARNING

**WARNING** indicates a potentially hazardous situation which, if not avoided, could result in death or serious injury.

# Safety Instructions

**WARNING:** Improper installation, adjustment, alteration, service or maintenance can cause injury or property damage. Read the installation, operating and maintenance instructions thoroughly before installing or servicing this equipment.

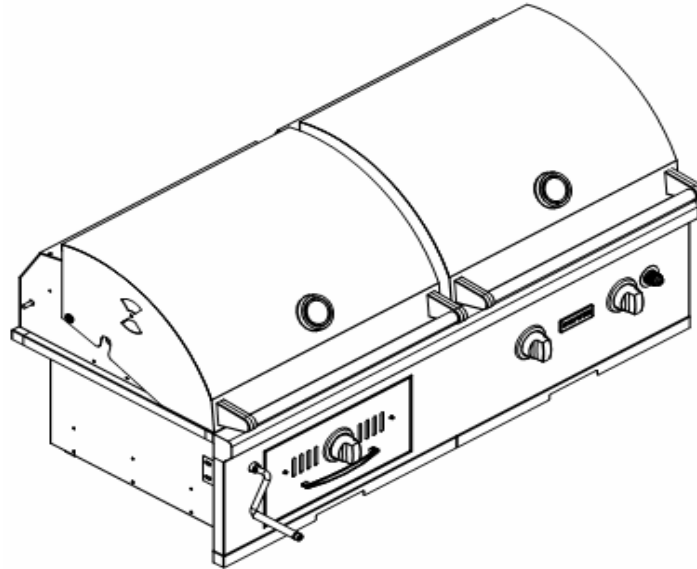
## General Safety Instructions

1. For Household Outdoor Use Only – DO NOT use indoors or in any type of enclosed area such as a garage, shed or breezeway. Keep clear of trees and shrubs. The grills are not intended for installation in or on recreational vehicles, portable trailers, boats or any other moving installation. Not for commercial use.
2. The area surrounding your new grill should be kept clean and free from flammable liquids and other combustible materials such as mops, rags or brooms, as well as solvents, cleaning fluids, and gasoline.
3. To reduce the risk of serious or fatal injury from breathing toxic fumes and from explosion and fire as a result of leaking gas, use only outdoors in an open area with good ventilation. Do not obstruct the flow of combustion and ventilation air.
4. Never use the grill in windy conditions. If located in a consistently windy area (oceanfront, mountaintop, etc.) a wind break will be required. Always adhere to the specified clearances listed.
5. Do not leave the grill unattended while cooking.
6. Do not use natural gas in a unit designed for liquid propane gas or vice versa.
7. Do not use fuel such as charcoal briquettes in a gas grill.
8. Keep children and pets away from hot grill. DO NOT allow children to use or play near the grill.
9. Never attempt to repair or replace any part of the grill yourself unless specifically recommended in this manual. All other services should be performed by a qualified service technician.
10. Never lean over an open grill. Do not place clothing or other flammable material on or near the grill. Do not wear loose-fitting clothes or long sleeves while using the grill as some fabrics can be highly flammable.
11. Have an ABC fire extinguisher accessible. Never attempt to extinguish a grease fire with water or other liquids.
12. Never use aluminum foil to line the grill racks or the drip trays, this can alter airflow for proper combustion and also build up heat in the control area causing the knobs and igniter to melt.
13. When using the grill, do not touch the grill rack, burner grate, or immediate surroundings as these areas become extremely hot and can cause burns. Always use a covered hand when opening the grill hood and only do so slowly to allow heat and steam to escape.
14. DO NOT allow grease or other hot material dripping from the grill onto valve, hose or regulator, turn off gas supply immediately. After the grill has cooled, determine the cause and correct it. After cleaning the valve, hose and regulator, perform a leak test before continuing use.
15. Do not heat any unopened glass or metal container of food on the grill. Pressure may build up and cause the container to burst, possibly resulting in serious personal injury or damage to the grill.
16. Keep any electrical supply cords away from water or heated surfaces. Electrical cords should be placed away from walkways to avoid tripping hazard.
17. Keep gas supply lines as short as possible.
18. Never move the grill when hot.

19. DO NOT use while under the influence of drugs or alcohol.
20. DO NOT store a spare gas cylinder under or near your grill.
21. DO NOT grill without the drip tray in place, hot grease could leak downward and produce a fire or an explosion. Drip tray should be pushed all the way to the rack located just under the grill.
22. Grease is extremely flammable. Let hot grease cool down before attempting to handle or dispose of it. The drip tray should be cleaned and free of grease on a regular basis.
23. In the event that a burner goes out, turn burner knobs to the full OFF position, fully open the grill hood and let it air out. Do not attempt to use the grill until the gas has had time to dissipate.
24. Do not use grill until leak check has been made.
25. Turn off the cylinder valve when your grill is not in use.
26. Ensure the control knobs are in the "OFF" position when not in use.
27. Use only a Ground Fault Interrupter (GFI) protected circuit with this outdoor cooking gas appliance.

**CALIFORNIA PROPOSITION 65 - WARNING:** The burning of gas cooking fuels generates some byproducts which are on the list of substances which are known by the State of California to cause cancer or reproductive harm. California law requires businesses to warn customers of potential exposure to such substances. To minimize exposure to these substances, always operate this unit according to the Use and Care Manual, ensuring you provide good ventilation when cooking with gas.

# Grill Model



## Coyote Stainless Steel Hybrid Charcoal and Gas Grill ( CH50LP/CH50NG )

Model No.	Product Size (inch)	BTU/HR (Main Burner)	Rotisserie Motor	Interior Lights
CH50LP/CH50NG	50"W x 23-5/8"D x 25-1/2"H	Gas: 20,000	No	Two

# Locating the Grill

Check your local building codes for the proper method of installation. In the absence of local codes, this unit should be installed in accordance with the *National Fuel Gas Code No. Z223.1-1998 USA* or *CAN/CGA-B149.1/2 Natural Gas/Propane Code (Canada)* latest edition or the *National Electrical Code ANSI/NFPA No. 70* or the *Canadian Electrical Code CSA C22.1, 1990* or latest version.

- Before installing built-in grills in enclosures, copy all product information such as model number, serial number and type of grill (e.g. natural gas or LP) and store information in a safe place.
- If the grill is installed by a professional installer or technician, be sure that he shows you where your gas supply shut-off is located. All gas lines must have a shut-off that is readily and easily accessible. If you smell gas, check for gas leaks immediately. Check only with a soap and water solution. Never check for gas leaks with an open flame.

**Notice:** We strongly recommend professional installation and hookup of the Gas BBQ grill. These

instructions will provide you with the measurements necessary for you or your builder to construct a masonry structure to house your outdoor gas grill.

**IMPORTANT:** Gas fittings, regulator, and installer supplied shut-off valves must be easily accessible.

## **LOCATION OF YOUR GRILL:**

Locate the grill only in a well ventilated area. Never locate the grill in a building, garage, breezeway, shed or other such enclosed areas without an approved ventilation system. During heavy use, the grill will produce a lot of smoke. Ensure there is adequate area for it to dissipate.

## **Wind and your Grill:**

Wind is a huge factor on a gas grill's performance. If the grill is located in a windy location (hillside, oceanside, patio with constant breeze, etc) then a wind break will be required for proper combustion and cooking to occur.

- If your only option is to have the grill in a windy location, build a back splash on your island at least 6" tall to assist in wind diversion.
  - This will not "guarantee" proper combustion but it will assist in diverting the wind from the grill.
- If you have a cart model and are facing a wind problem, point the back with the direction of the wind, so that the gas still flows out of the valves and into the burners.

## **Clearance:**

- **TO NON-COMBUSTIBLE CONSTRUCTION:** *A minimum of 8.5" (217mm) clearance from the back of the grill is needed for the purpose of opening the hood fully. It is desirable to allow at least 2" (50.8mm) side clearance to non-combustible construction above the cooking surface for counter space. If you wish to use the rotisserie option, the space is essential for motor and skewer clearance. The grill can be placed directly adjacent to non-combustible construction below the cooking surface. The grill exhausts combustion products and cooking greases to the back. Never locate the grill where this exhaust will be difficult to clean.*
- **CLEARANCE TO COMBUSTIBLE CONSTRUCTION:** *A minimum of 24" (609.6mm) from the sides and a minimum of 24" (609.6mm) from the back must be maintained from the grill above and below the cooking surface to adjacent vertical combustible construction.*

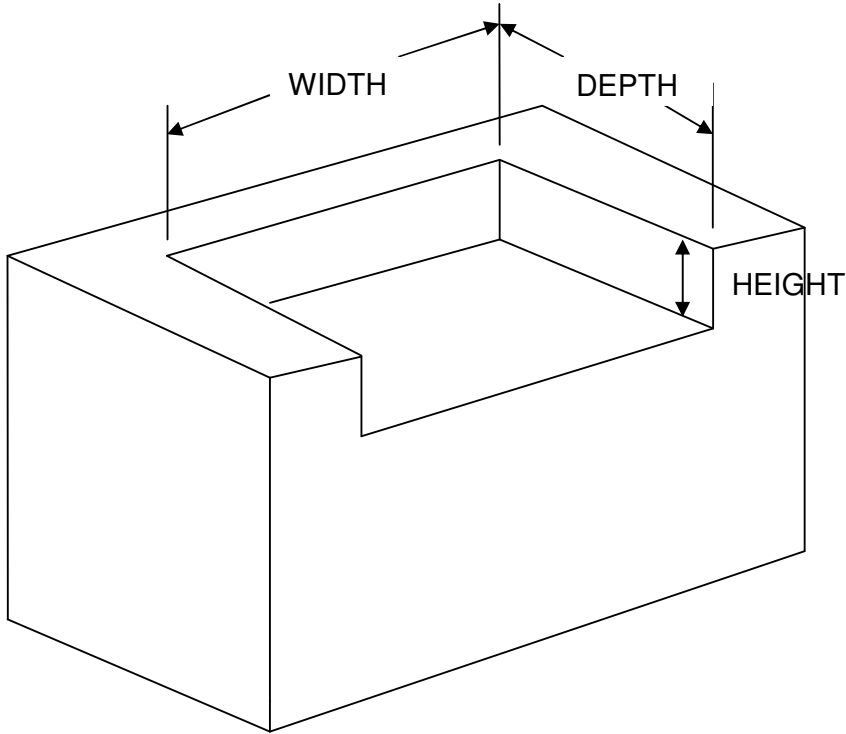
## **For Built-in Installations**

A built-in grill is designed for easy installation into masonry enclosures. For non-combustible applications, the grill drops into the opening (**as shown in cut-out detail drawing - Fig. A**) above or below depending on space, and hangs from its counter top trim. A deck is not required to support it from the bottom. It is recommended that:

- Two ventilation holes, of at least 20 sq inches in size, must be present to help release any gas from a leak.
  - ◆ As Propane is heavier than air, locate your vents at the tank valve height or lower
- The deck ledges and counter should be flat and level in reference to the floor.
- If your grill is equipped with a rotisserie, electrical service should be provided.
  - ◆ A minimum of 24" (609.6mm) of clearance is needed on each side of the grill for the motor and skewer.

**LP TANK STORAGE MUST BE ISOLATED IN A SEPARATE COMPARTMENT FROM THAT OF THE GRILL AND IT MUST BE VENTED AS WELL. (RECOMMEND BOTTOM VENTS FOR LP)**

**Cut out Dimensions Figure A**



	WIDTH	DEPTH	HEIGHT
<b>50" Hybrid</b>	47-3/4" (1210mm)	21-1/4" (1073mm)	13" (330mm)

## Gas Requirements

**NOTE: Always have a qualified service technician perform difficult conversions or modifications.**

**WARNING: Never attach an unregulated gas line to the appliance. Connection to an unregulated gas line can cause excessive heat or fire.**

**IMPORTANT:** Before connecting grill to gas source, make sure BBQ Grill control knobs are in the "OFF" position.

- Verify the type of gas supply to be used, either natural or LP, and make sure the marking on the



appliance rating label agrees with that of the supply.

- All pipe sealants must be an approved type and resistant to the actions of LP gas. Never use pipe sealant on flare fittings.
- *The installation of this appliance must conform with local codes or, in the absence of local codes, with either National Fuel Gas Code, ANSI Z223.1/ NFPA 54, Natural Gas and Propane Installation Code, CSA B149.1, or Propane Storage and Handling Code, B149.2, or the Standard for Recreational Vehicles, ANSI A 119.2/ NFPA 1192M, and CSA Z240 RV Series, Recreational Vehicle Code, as applicable.*

**WARNING:** Gas valves are preset at the factory to operate on LP or natural gas. If you wish to convert, be sure to contact your grill dealer FIRST!

## LP Gas Hook-up

This propane gas grill is designed to operate on propane gas ONLY, at a pressure regulated at 11" (279.4mm) water column (W.C.) when equipped with the correct propane orifices on the valves and a propane regulator on the supply line regulated at the residential meter. The LP gas grill is designed to be used with a standard 20 lbs gas cylinder and must be constructed and marked in accordance with specifications of the US Department of Transportation for propane gas cylinders.

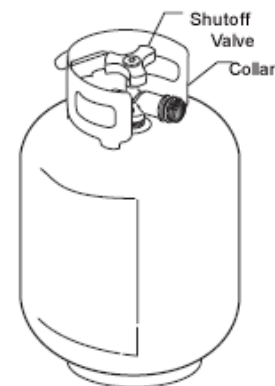
Always keep cylinder securely fastened in an upright position. Never connect an unregulated propane gas cylinder to the grill.

Do not subject propane cylinders to excessive heat.

**CAUTION:** Never store a LP gas cylinder inside a building or in the vicinity of any gas-burning appliance.

## Cylinder Specifications

- Any L.P. gas supply cylinder used with this grill must be approximately 12 inches diameter and 18 inches high. The maximum fuel capacity is 80% and is approximately 20 pounds of propane.
- The L.P. cylinder must have a shut-off valve (see picture) terminating in a Type 1 L.P.
- A Type 1 compatible cylinder with a Type 1 cylinder valve has a back-check valve which does not permit gas flow, until a positive seal has been obtained.
- The cylinder must be arranged for vapor withdrawal. It must also include a collar to protect the cylinder valve. A safety relief device having direct communication with the vapor space of cylinder must be provided. This will expel high pressure gas if the cylinder is overfilled or overheated which could result in fire or explosion.
- All L.P. gas cylinders used with this appliance shall be constructed and marked in accordance with the specifications for L.P. gas cylinders of the U. S. Department of Transportation (DOT) or the *National Standard of Canada, CAN/CSA-B339, Cylinders, Spheres and Tubes for Transportation*



of Dangerous Goods; and Commission, as applicable; and shall be provided with a listed overfilling prevention device.

- Read labels on the L.P. Gas Supply Cylinder.
- New cylinders are always shipped empty for safety.
- Allow only qualified L.P. gas dealers to fill or repair your L.P. gas supply cylinder.
- Inform the gas dealer if it is a new or used cylinder to be filled.
- After filling, have the gas dealer check for leaks and to see that the relief valve remains free to function.

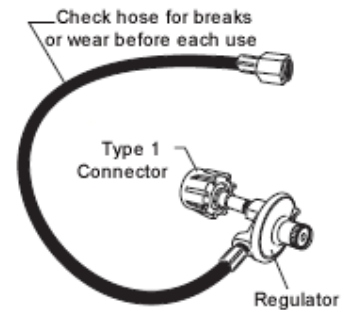
## **Hose and Regulator (Comes standard with the grill)**

The Type 1 connection system has the following features:

- The system will not allow gas to flow until a positive connection has been made.

**NOTE: The cylinder control valve must be turned off before any connection is made or removed.**

- The system has a thermal element that will shut off the flow of gas in the event of a fire.
- The system has a flow limiting device which, when activated, will limit the flow of gas to 10 cubic feet per hour.
- **NEVER** use grill without leak testing this connection.



## **LP (Propane) Gas Supply Connection**

1. The tank valve should be in the "OFF" position. If not, turn the knob clockwise until it stops.
2. Make sure all burner valves are in the "OFF" position.
3. Always connect the gas supply regulator as follows:  
Insert the regulator inlet into the tank valve and turn the coupling nut clockwise until the coupler tightens up (see picture). Do not over tighten the coupler. Turn the main tank valve on and turn the burner control valves on the unit to the "HIGH" position for about 20 seconds to allow the air in the system to purge before attempting to light the burners.



## **Pre-Operation Leak Testing**

### **DANGER**

1. Do not insert any tool into the valve outlet or safety relief valve. You may damage the valve and cause a leak. Leaking propane may result in explosion, fire, severe personal injury, or death.
2. If a leak is detected at any time or you cannot stop a gas leak, immediately close pipeline valve and call LP gas supplier or you fire department!
3. Check all gas supply fittings before each use and each time the gas supply cylinder is connected to the regulator. Have a qualified service technician leak test the grill any time a part of the gas system is replaced.

## **WARNING**

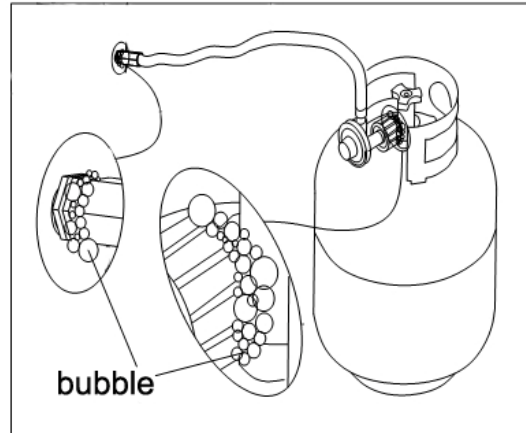
Never attempt to attach this grill to the self-contained LP gas system. Do not use grill until leak testing.

## **Before Testing**

DO NOT smoke while leak testing. Extinguish all open flames. Never leak test with an open flame. Mix a solution of equal parts mild detergent or liquid soap and water.

## **Leak Testing Valves, Hose and Regulator**

1. Turn all grill control knobs to OFF.
2. Be sure hose is tightly connected to LP tank.
3. Completely open LP tank valve by turning cylinder valve knob counterclockwise (right to left). If you hear a rushing sound, turn gas off immediately. There is a major leak at the connection. Correct before proceeding by calling franchiser for replacement parts.
4. Brush soapy solution onto areas where bubbles are shown in LP tank (see picture).
5. If "growing" bubbles appear, there is a leak. Close LP tank valve immediately and retighten connections. If leads cannot be stopped do not try to repair. Call franchiser for replacement.
6. Always close LP tank valve after performing leak test by turning cylinder valve knob clockwise.



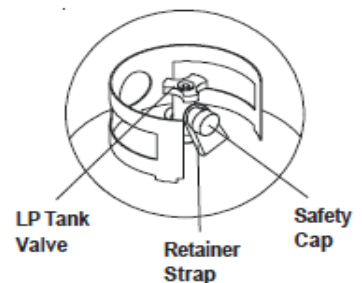
**NOTE:** When leak testing this appliance, make sure to test and tighten all loose connections, including the side burner. A slight leak in the system can result in a low flame, or a hazardous condition.

## **LP Gas Supply Cylinder Disconnection**

1. Turn the burner valves off.
2. Turn the tank valve off. (Turn clockwise to stop).
3. Detach the regulator assembly from the tank valve by turning the quick coupling nut counterclockwise.

## **LP Tank Removal, Transport and Storage**

- Turn OFF all control knobs and LP tank valve. Turn coupling nut counterclockwise by hand only - do not use tools to disconnect. Lift LP tank wire upward off of LP tank collar, then lift LP tank up and off of support bracket. Install safety cap onto LP tank valve. Always use cap and strap supplied with valve. Failure to use safety cap as directed may result in serious personal injury and/or property damage.



- A disconnected LP tank in storage or being transported must have a **safety cap** installed (as shown). Do not store an LP tank in enclosed spaces such as a carport, garage, porch, covered patio or other building. Never leave a LP tank inside a vehicle which may become overheated by the sun.
- Do not store LP tank in an area where children play.

### **LP Tank Filling**

- Use only licensed and experienced dealers.
- LP dealer must purge tank before filling.
- Dealer should NEVER fill LP tank more than 80% of LP tank volume. Volume of propane in tank will vary by temperature.
- A frosty regulator indicates gas overfill. Immediately close LP tank valve and call local LP gas dealer for assistance.
- Do not release liquid propane (LP) gas into the atmosphere. This is a hazardous practice.
- To remove gas from LP tank, contact an LP dealer or call a local fire department for assistance. Check the telephone directory under "Gas companies" for nearest certified LP dealers.

### **LP Tank Exchange**

- Exchange your Type 1 cylinder with OPD safety feature-equipped ONLY.
- Always keep new and exchanged LP tanks in upright position during use, transit or storage. Leak test new and exchanged LP tanks BEFORE connecting to grill.

### **Large Capacity Propane Tanks and Homes:**

- LP (Liquid Propane) Coyote Grills can be installed into propane fueled houses. Meaning that if your entire house is plumbed for propane and you have an exterior connection for such use, then a standard LP grill from Coyote will meet your needs, regardless of the size. Any appliance can be installed if installed properly! That is the Coyote way!
  - Coyote does not supply any gas fittings or lines, other than the regulator needed within the grill box
  - All Coyote LP Grills come with a 20lb tank regulator. This regulator can not be used or modified to work on any other setup.
    - If you are running off of a large capacity tank (more than 20lbs), then an "in-line" LP regulator is needed, Coyote Customer Service must be contacted to assist with this situation.
  - As counties vary from state to state, it is upon the owner/installer to ensure that all county, state and federal codes are followed for any gas installation.

## **Natural Gas Hook-up**

Always check the rating plate to make sure the gas supply you are hooking up to is the gas type the grill is manufactured for.

This natural gas grill is designed to operate on natural gas ONLY, at a pressure regulated at 4" (101.6mm) water column (W.C.) when equipped with the correct natural gas orifices on the valves and a natural gas regulator on the supply line regulated at the residential meter.

**IMPORTANT:** Never connect the grill to an unregulated gas supply.

Natural gas connections must be performed by a licensed contractor or local gas company representative.

## **Natural Gas Hose and Regulator**

**IMPORTANT: NEVER** use grill without leak testing this connection.



Natural gas regulator model: GR120

Gas pressure: 4" (101.6mm)

Maximum rate working pressure: 1/2 Psig

## **Natural Gas Supply and Connection**

1. Make sure all burner valves are in the "OFF" position
2. All NG units need to have a regulator and shut-off valve on the supply line.
3. All Pipe threads need to have proper, gas rated, outdoor rated thread sealant. Flare ends do not need or utilize pipe sealant.
4. Your NG Coyote grill comes with a 1/2" regulator, along with a 18" black hose.
  - a) You need to seal the regulator to the hose using your pipe sealant.
  - b) Then attach the flare end to your manifold line, with no pipe sealant.
  - c) Next, attach your next connection hose (not included) to the other side of the NG regulator (it is also 1/2" MIP)
    - i. We suggest using 1/2" stainless steel corrugated hoses for all NG Grills
    - ii. Make sure that you purchase a hose of adequate length and capacity for the intended application.
  - d) Connect the other end of this hose, to your shut off valve
    - i. Depending on your choice of hose and shut-off, the nipple going into the shut-off valve may vary.
  - e) Test all connections for leaks with a soap and water solution.

## **High Elevation Installation and Use**

Coyote Grills are designed to operate most efficiently at 0-2000 feet above sea level. From 2000-4000 feet above sea level you will not notice any substantial decrease in your heat, although more gas is combusting within the burners due to less oxygen. Above 4000 feet, you may experience a little longer cooking time on your grill than you would experience at sea level. But again, this is just due to the air/fuel mixture taking place within the burners. If any problems or concerns exist about your location or elevation, please contact Coyote Customer Service for assistance.

## **Gas Conversions – Natural Gas and Propane**

Coyote grills are able to be converted but you must obtain the correct conversion kit and we always recommend that any gas appliance conversion should always be performed by a Licensed Plumber or a certified Installer. Conversion kits are sold for Coyote grills and can be purchased through your dealer, or Coyote's Customer Service Department. Any other kit or orifices used that are not of Coyote brand, will automatically void any warranty on the unit. Furthermore, it is important to understand that where ever there is a burner, there is an orifice that will need to be changed (do not forget the rotisserie or sear burner).

### **The steps for converting your Coyote grills main and sear burners are:**

1. Pull grill out of island or cart.
2. Remove Drip Pan and Cooking Grates
3. Unscrew bolt connecting the manifold pipe to the grill body, located at the back side of the grill.
4. Unscrew the 4 bolts holding the faceplate to the body (on the front edge where your cooking grate sits)
5. Unscrew the 2 bolts (on each side) of the manifold and faceplate assembly, that holds this entire assembly to the body of the grill.
6. Disconnect all wires and flex lines, from the valves and igniter assembly while paying close attention to their original location.
7. Slide entire control panel and valve assembly out from the grill body.
8. Flip control panel over on its side, so you have easy access to the valves.
9. Sear Burner Grills Only – Remove center knob, unscrew top and bottom screws only.
  - a. The safety valve that controls the thermocouple on your sear burner must be completely changed. You cannot change only the orifice.
10. Sear Burner Grills Only – Unscrew base bracket, hold center valve to gas manifold pipe and remove valve
11. Sear Burner Grills Only – Install new Safety Valve in the correct gas type and follow the removal instructions in reverse.
12. Once the panel is flipped over, you will see the orifice at the end of the valve. With a wrench remove the orifice from the valve and install the new gas orifice,
13. Re-assemble in reverse and test all connections again with a soapy water solution to ensure no leaks.

### **To convert your rear burner orifice:**

1. Remove your entire rotisserie assembly
2. Remove the back panel that covers your rear rotisserie burner
  - a. With the hood open, remove the 4 screws on top of this panel
  - b. With the hood closed, remove the 4 screws on the back of this panel
  - c. With the hood closed, look underneath this same back panel and you will see 4-5 bolts (depending on your grill), these only need to be loosened
3. Next, pull the entire panel (starting from the back) out from the grill
  - a. It is designed to fit tight, so you may need a flat head screwdriver to pop the stainless away from the body
4. Next, you will see the gas line, brass elbow and orifice
5. Use a wrench to remove the orifice and install the new one
6. Re-assemble in reverse and check your back burner to ensure proper ignition and burning

# Using Your Burners and Grilling Safely

Your grill is designed to reach a temperature that you set by adjusting a valve that in turns adjusts the amount of gas that goes through each burner. This Valve is located behind your knob and is the key to your heat and fuel consumption. An example being: Cooking on low will give you longer use out of a 20lb LP tank than will cooking on high every single time.

Furthermore, the way to ignite the burners is through the valves, so please understand the importance of this piece and the position/care taken to the knobs.

- Example: If you forget to turn a knob off and the burner is not lit, then you will have a gas leak out of that valve. You must be aware of your grills status and be responsible!

## **Burner Configuration and Heat Dispersion:**

If you look under the very front of your cooking grates, you will realize that for the first few inches, the burner does not release any gas. This is designed to be the medium heat portion of your grill for several reasons.

- One being that the flavorizers ensure even heat dispersion laterally across your grills cooking surface, so the front is designed to be your medium heat section, while you can utilize the middle of your cooking grates to get a good high heat (do not forget that this all depends on how high you have your valves turned as well).
- As you move towards the back of your grill and past the middle section, you will realize that this is the hottest portion of your grill.
  - Underneath, where the burner is bolted to the back of the body, you will see that there is a “crossover” in between each burner. This crossover, sends gas from one burner to the next (as long as the valves are open), to ensure that all of your burners will light in case your igniters fail.
  - For example, if you can only get one burner to light, you just need to keep the hood open and turn on the valve next to it, to the high position. Gas will then travel through the new/open burner and will catch the flame from the initial burner. This crossover does provide you constant heat across the back that increases the temperature and provides you with your hottest position on the grill (unless you have a CS model with a sear burner – in which the sear burner will provide your highest temperature for cooking/searing).

To understand how this will effect your cooking, please take a look at the pictures below for visual assistance.



## **Burner Use – Indirect, Direct, Sear, Rotisserie Cooking**

As you can imagine, by controlling how much gas flows through your burner; determines the size of your flame. The ideal flame will be blue, with no yellow tip, or excessive noise coming out of the burner.

If you happen to have any of these problems:

- You will want to check the air adjustment screw on the side of the burner itself (called the Air Venturi) and also the adjustment screw that resides directly below the orifice to ensure proper gas flow into the burner from the valve
- There are many reasons that can cause poor flames and heat but none are more serious than a gas leak, so always pay attention for the odor of gas (NG or LP) but do not also forget to clean your burners!

For **Direct Cooking** you simply cook your food over a direct flame that is hot and quick to cook but is also the quickest way to burn your food. Pay attention closely if you choose this method!

**Indirect Cooking** however is used for larger cuts of meats and anything that you are intending to keep nice and juicy!

- All you need to do is turn off the burner that lies under the food being cooked and adjust the exterior burners flame so that you create a slow, constant and even cooking environment for your food!



If you are looking for a cooking experience that will almost instantly cook your food item, then **Sear Cooking** is an essential! Sear Cooking uses a ceramic burner that emits a different form of heat that can produce a much higher temperature quicker, to lock in the juices!

Now, if you are looking for an experience that will allow you to have a juicy bird, straight from the rotisserie of your grill, then **Rotisserie Cooking** is going to be your choice! Coyote grills utilize the same ceramic burner technology in their sear burner, as their rotisserie burner, along with a motor and spit that will hold and rotate up to 20lbs of food. Allowing you to cook a bird amazingly quick, without burning or charring any portion of it.

## **Instruction for Connecting the Transformer**

### **Transformer for Interior Lights - (GAS SIDE ON 50" HYBRID)**

Your transformer will connect on the right side of your grill (looking at it from the front) and operates the lights inside your grill. Insert the white male plug into the white female socket, on the right side of your grill and then plug the transformer into a standard 110v outlet.



# Lighting the Grill

## **DANGER**

- Failure to open the lid while igniting the barbecue's burners, or not waiting 5 minutes to allow the gas to clear if the barbecue does not light, may result in an explosive flame-up which can cause serious bodily injury or death.

## **WARNING**

- DO NOT use the grill if gas odor is present.
- DO NOT stand with head, body, or arms over the grill when lighting.
- Inspect the hose before using the grill. If there is excessive abrasion or wear, or if the hose is cut, it must be replaced prior to the outdoor cooking gas appliance being put into operation. The replacement hose assembly shall be that specified by the manufacturer.
- Ensure the area around the barbecue is clear of flammable substances such as gasoline, yard debris, wood, etc.
- Ensure there is no blockage of the airflow through the vent space located below the face of the unit.

## **GENERAL RULES**

### **Do not leave the grill unattended while cooking!**

- Make sure the grill has been leak tested and is properly located.
- Check the end of each burner tube is properly located over each valve orifice.
- Light the grill burners using the instructions provided in this manual.
- Adjust heat settings to your desired cooking temperature.
- Allow grill to cool down, wipe off any splatters or grease and clean the drip tray as needed.
- Do not put a cover on the grill while it is still hot as it could start a fire.

**NOTE:** If for some reason, igniters fail to light, burners can be lit with a gas lighter.

**NOTE:** Replace battery under ignition cap (twist off counter-clockwise)

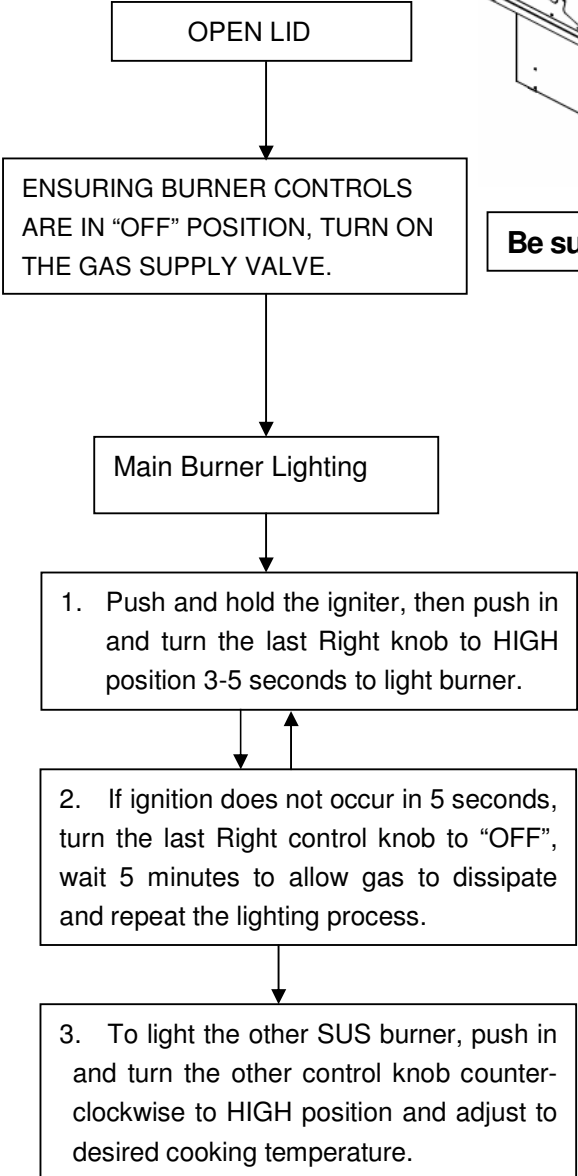
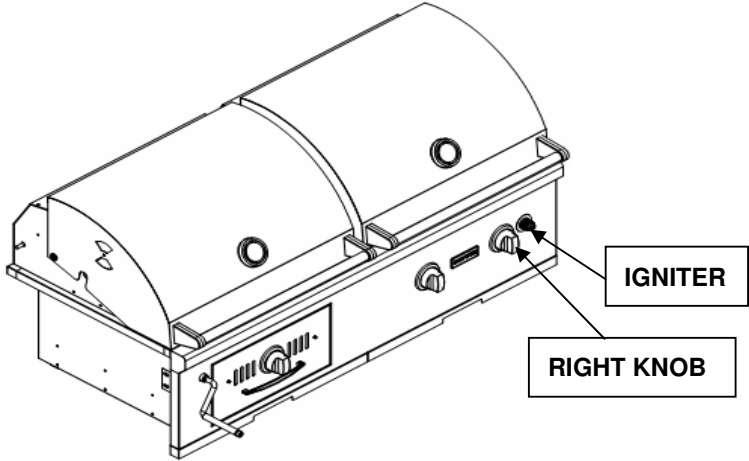
**NOTE:** To light gas grill with a gas lighter, make sure the grill has been leak tested and burners be properly located. Remove the cooking grids and flavorizers from burner you wish to light. Insert long-necked gas lighter placing near to burner ports. Press in the last right control knob and rotate left to "HIGH" setting to release gas. Turn on the button on gas lighter, burner should light immediately. Place back the cooking grids and flavorizers. Adjust burners to desired cooking temperature.



**Keep any electrical supply cords and the fuel supply hose away from any heated surfaces.**

# Lighting Instructions

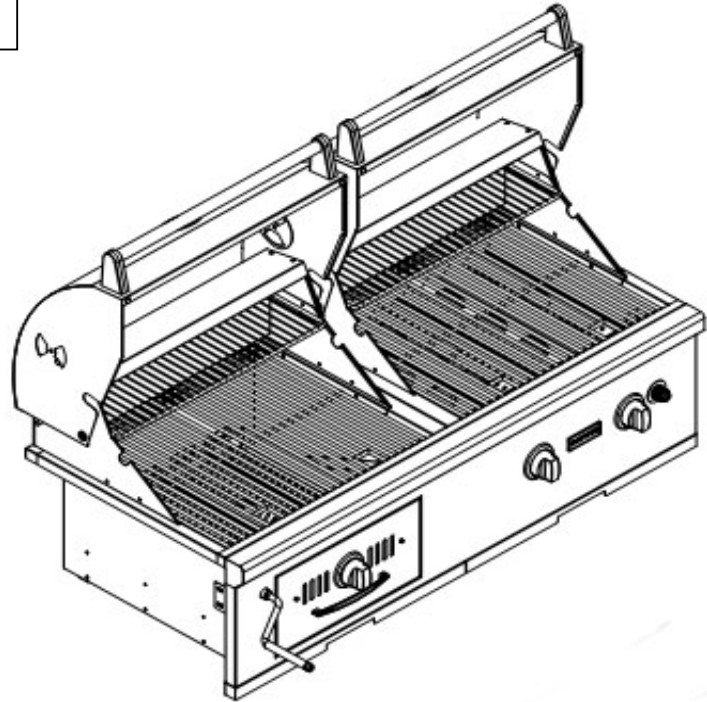
**Gas Grill Side:  
( Propane / Natural Gas)**



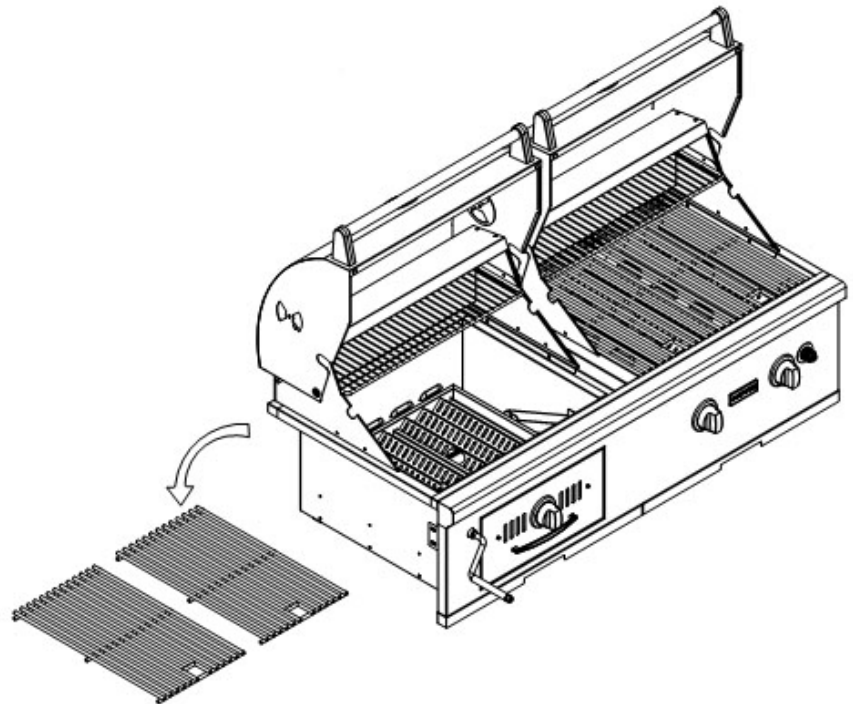
**Be sure a AA battery is inserted inside the igniter.**

Charcoal Grill Side

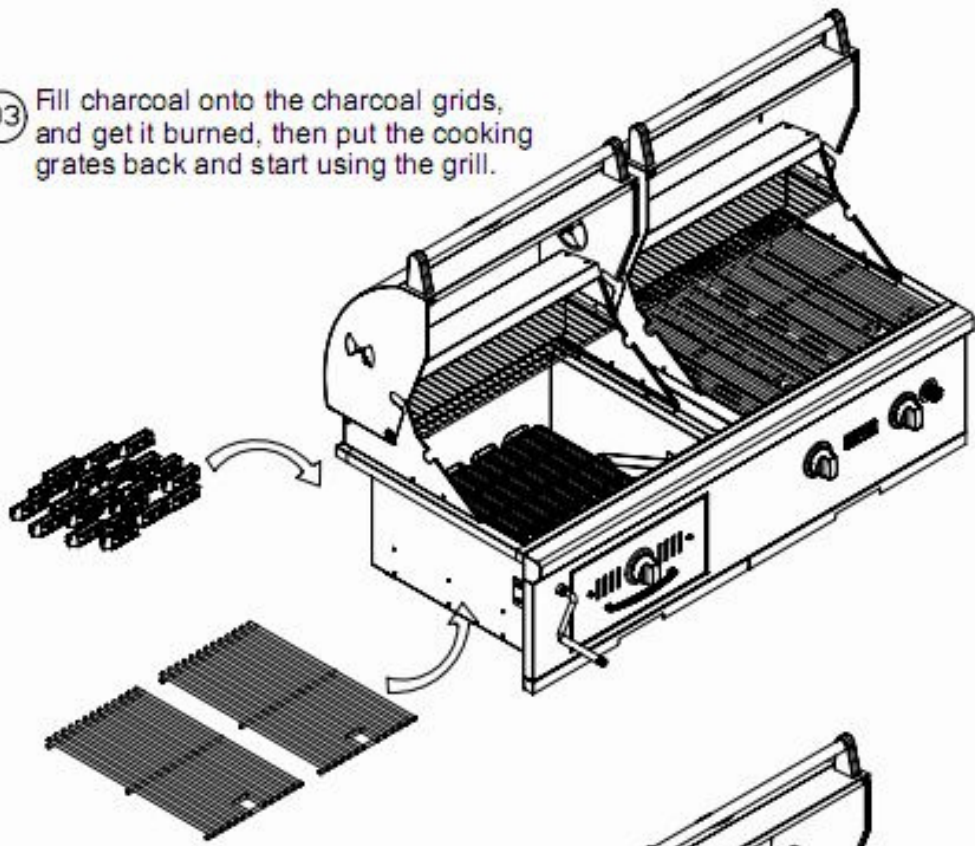
- ① Check the grill before use.



- ② Take out the cooking grates to fill charcoal on the charcoal grids.



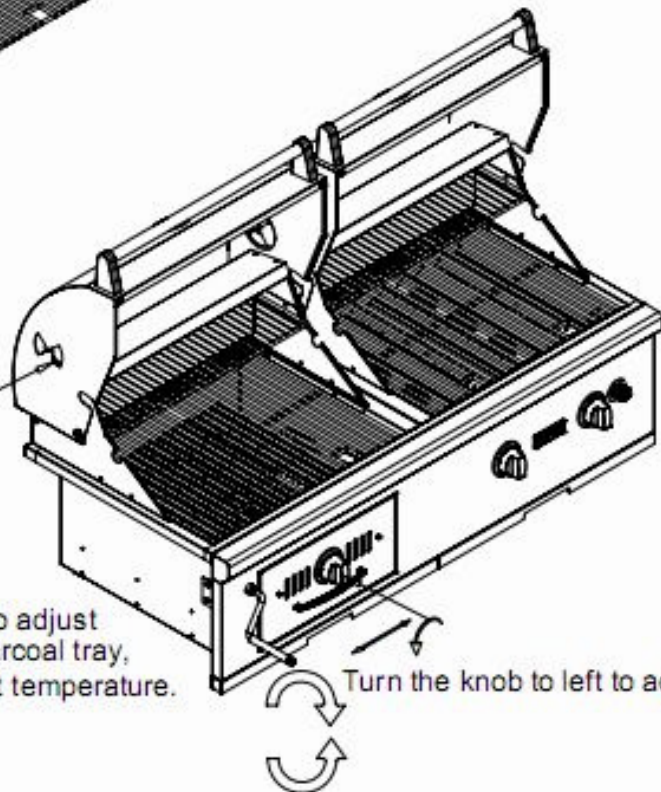
03 Fill charcoal onto the charcoal grids, and get it burned, then put the cooking grates back and start using the grill.



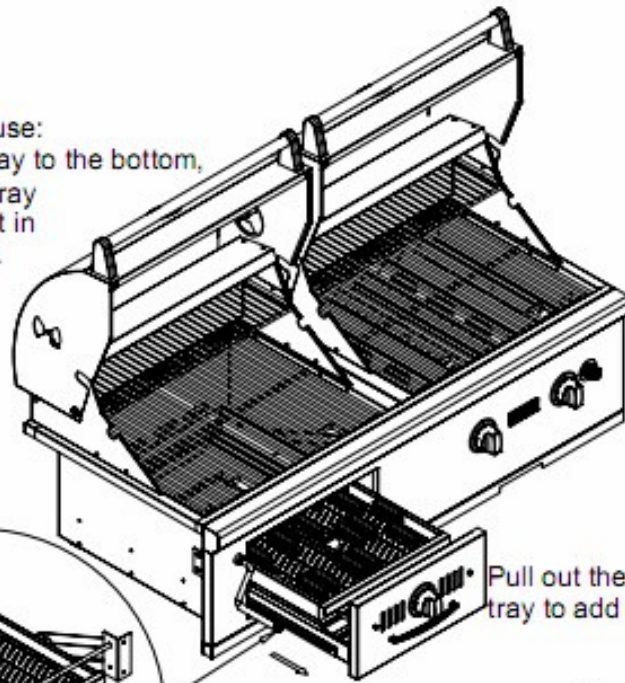
Rotate and adjust the vents

04 Using lift crank to adjust the height of charcoal tray, to reach different temperature.

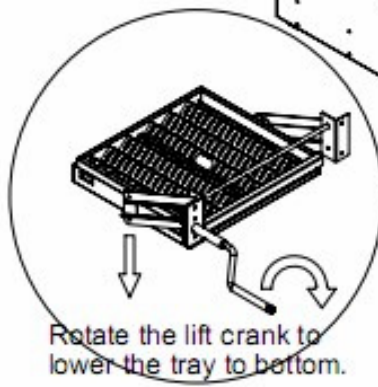
Turn the knob to left to adjust the vents



- 05 Add charcoal during use:  
Lower the charcoal tray to the bottom,  
pull out the charcoal tray  
to add fuel, then pull it in  
and continue cooking.

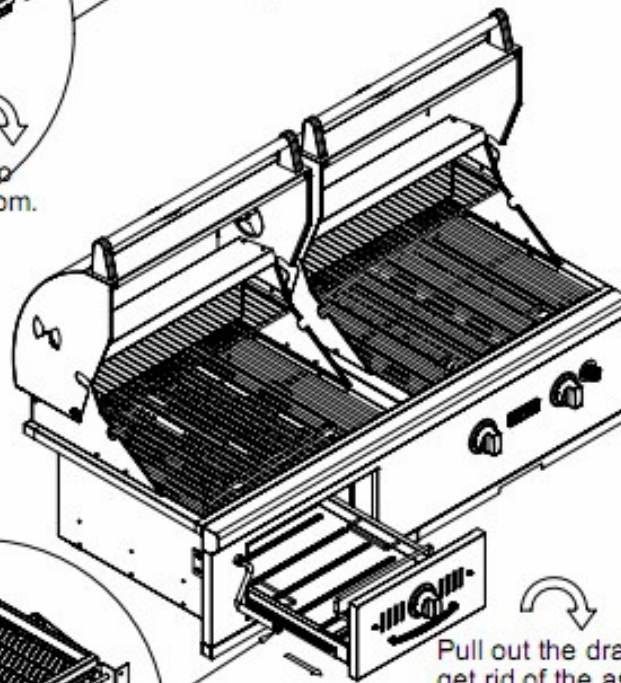


Pull out the drawer and charcoal  
tray to add charcoal.

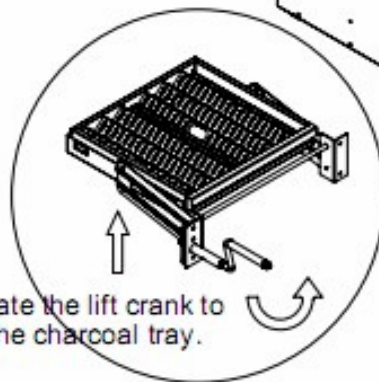


Rotate the lift crank to  
lower the tray to bottom.

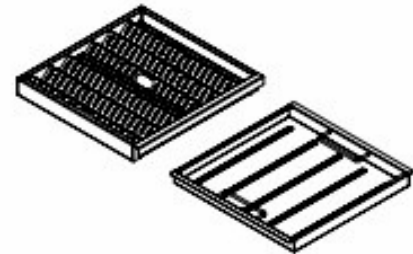
- 06 Clean after use:



Pull out the drawer and  
get rid of the ash.



Rotate the lift crank to  
lift the charcoal tray.



# Operations and Features

When you first ignite your grill burn the grill to get rid of any odors or debris that may be left over from manufacturing and transit. This is done by operating your grill at the “HIGH” setting with the hood closed for no more than 5 minutes.

- Since this is a high temperature grill; closing the hood will cause heat to build up and could easily cause an excessive flare-up that could cause internal damage to the grill (knobs, igniter, etc.).
- After you have “burned off” the grill, you are ready for cooking!

## **Preparing Food for the Grill**

**WARNING:** Always observe safe food-handling and safe food-preparation practices when using this Grill, to prevent food-borne illnesses.

- Always cook foods adequately. Undercooked foods can retain bacteria, especially if thawed or exposed to warm conditions prior to cooking.
- Always use separate plates and utensils for the handling of raw food. Never place raw food and cooked food on the same plate, and never place cooked food on a plate that was used for handling raw food.
- Always carefully wash all plates and utensils used to handle raw food before using them to handle cooked food.
- Always wash all vegetables, seafood and poultry before cooking.
- Always leave uncooked foods in the refrigerator until you are ready to start cooking.
- Always marinate meat in the refrigerator. Dispose of the excess marinade, and never reuse it.

## **Grilling Tips:**

- If you pre-cook meat or poultry, do so immediately before grilling.
- Refrigerate leftovers within 2 hours of taking food off the grill.
- Never let the tray boil dry. That could be hazardous, as grease from fatty foods that have collected in the tray could ignite and possibly cause bodily injury or property damage.
- Use a meat thermometer to be sure food has reached a safe internal temperature.
- Always trim excess fat from your foods to reduce the occurrence of flare-ups during cooking.
- Apply a light coating of cooking oil to the cooking grids before grilling, to prevent foods from sticking.
- Cook similar portion sizes together, so that they all cook evenly.
- Use tongs to turn foods on the grill.
- Never pierce foods while they are cooking on the Grill, as this will dry them out.
- Turn foods infrequently. Some chefs say that a good steak should never be turned more than once.
- Apply sugar-based sauces such as commercial barbecue sauces only during the latter stages of cooking, to prevent charring.
- Soak the string you use to tie up roasts and poultry on the rotisserie spit to protect it from burning.
- Use a disposable aluminum tray filled with water, fruit juice, wine or a marinade to add extra flavor and moisture to slow-cooked foods like roasts, whole chickens, turkeys or ducks.

## **Controlling Flare-ups**

Flare-ups are a part of cooking meats on a gas grill. This adds to the unique flavor of cooking on a gas grill. Excessive flare-ups resulting from the build-up of grease in the bottom of the grill can over-cook the food and cause a dangerous situation for you and your grill. If this should occur, DO NOT pour water onto the flames, which can cause the grease to splatter and could result in serious burns or bodily harm. If grease fire occurs, close the hood and turn off the main burners until the grease burns out. Use caution when opening the hood as sudden flare-ups may occur.

### **To Minimize Flare-ups:**

- Trim excess fat from meats prior to cooking.
- Cook meats with high fat contents (chicken or pork) on Low settings or indirectly.
- Ensure that your grill is on level ground and the grease is allowed to evacuate the grill through the drain hole.

## **Care & Maintenance**

**CAUTION:** All cleaning and maintenance should be done only when grill is cool & with the fuel supply turned off at the cylinder. If your grill is set up for use with Natural Gas, turn off gas supply at the system manual shut off valve.

### **DRIP TRAY**

The drip tray located below the grill should be cleaned periodically to prevent heavy buildup of debris.

**NOTE:** Allow the drip tray to cool before attempting to clean.

**IMPORTANT:** Do not leave the grill outside during inclement weather unless it is covered (cover sold separately). Rain water can collect inside the grill, the grill cart or the drip tray if left uncovered. If the drip tray is not cleaned after use and the grill is left uncovered, the drip tray will fill with water causing grease and water to spill into the grill cart. We recommend cleaning and storing the drip tray after every use.

### **COOKING GRATES**

The cooking grates can be cleaned immediately after cooking is completed and after turning off the grill. Wear a barbecue mitt and scrub the cooking grates with a damp cloth. If the grill is allowed to cool down, cleaning the grates will be easier if removed from the grill and cleaned with a mild detergent.

### **FLAVORIZERS**

Washing the flavorizers after every use is not necessary but periodically it is suggested you wash them in a soap and warm water solution. Use a wire brush to remove stubborn burned on cooking residue. Dry the flavorizers & flame dividers thoroughly before you reinstall them in the cooking insert.

### **BURNERS**

**IMPORTANT:** Gas control knobs should be in the "OFF" position and fuel line should be disconnected. To reduce the chance of FLASHBACK, the procedure below should be followed at least once a month or when your grill has not been used for an extended period of time.

#### **Main Burners:**

1. Remove your main burners from the grill by removing the nut holding the burner down in the back and carefully lifting each burner up and away from the gas valve orifice.
2. Wire brush entire outer surface of burner to remove food debris and dirt. Clean any clogged ports with a stiff wire such as an open paper clip.
3. Inspect the burner for damage (cracks or holes) and if such damage is found, order and install a new burner.

4. After installation, check to insure that gas valve orifices are correctly placed inside ends of burner tubes. Also check position of spark electrode.

**Sear Burners:** Sear burners are made out of ceramic and emit gas in a honeycomb pattern that is almost impossible to see. However, these burners get exceptionally hot and can be exceptionally easy to damage. The way to clean these burners is:

1. Remove all large pieces of food from the top of the burner
2. Turn the burner on high and let the temperature do the work
3. Do not leave the grill unattended while doing this as you will want to make sure no excessive flare ups occur
4. Once all excess grease has been burned off, you are ready to go!
  - a. An easy way to keep your sear burner from getting dirty is to allow it to run for a few minutes after you are done cooking, so that you do not have to re-heat your grill just to clean.

## **STAINLESS STEEL**

After initial usage, areas of the grill may discolor from the intense heat given off by the burners. This is normal. Purchase a mild stainless steel cleaner and rub in the direction of the grain of the metal. Specks of grease can gather on the surface of the stainless steel and bake on to the surface and give a worn appearance. For removal, use a non-abrasive oven cleaner in conjunction with a stainless cleaner. If spots are persistent, then petroleum jelly may be used to help remove the spots.

**NOTE: Always scrub in the direction of the grain.**

## **HOW TO CHANGE THE LIGHT BULBS - (50" Hybrid)**

1. Remove the screw holding the bulb lens.
2. Reach in using your fingers only, grip the two outside edges of the light bulb, do not grip the top or bottom of the bulb, as it might break. Pull the bulb straight out, so that the two electrode wires are completely removed with bulb. Place bulb in trash.
3. When installing the new halogen bulb be sure to use a clean cloth or paper towel to ensure the longevity of the bulb.
4. Insert the new bulb using your clean cloth and gently snap it into position. Wipe off any fingerprints and/or grease that may have transferred to the bulb.
5. Re-install the bulb lens and cover
6. Flip the switch on to check lights.

## **ANNUAL CLEANING OF GRILL HOUSING**

Burn-off the barbecue after every cookout will keep it ready for instant use, however, once a year you should give the entire grill a thorough cleaning to keep it in top operating condition.

1. Shut off gas supply at source and disconnects fuel line. Protect fuel line fitting.
2. Remove and clean the cooking grids, flavorizers and burners.
3. Remove warming rack and wash with mild detergent and warm water.
4. Cover the gas valve orifices with a piece of aluminum foil.
5. Brush the inside and bottom of the grill with a stiff wire brush, and wash down with a mild soap and warm water solution. Wash thoroughly and let dry.



6. Remove aluminum foil from orifices and check orifices for obstruction.
7. Check electrode.
8. Reinstall flavorizers, cooking grids, and warming rack.
9. Reconnect to gas source and observe burner flame for correct operation.

**IMPORTANT:** You should NOT line the bottom of the grill housing with aluminum foil, sand or any other grease absorbent substance. Grease will not be able to drip into the drip tray and a grease fire may occur.

## **MAINTENANCE GUIDELINES**

1. Keep outdoor cooking gas appliance area clear and free from combustible materials, gasoline and other flammable vapors and liquids.
2. Do not obstruct the flow of combustion and ventilation air.
3. Keep the ventilation opening(s) of the cylinder enclosure free and clear from debris.
4. Visually check burner flames. Burner flames should be blue and stable with no yellow tips, excessive noise, or lifting. If any of these conditions exist call our customer service line.
5. Clean outdoor cooking gas appliance, including special surfaces, with recommended cleaning agents, if necessary.
6. Check and clean burner for insects and insect nests. A clogged tube can lead to a fire beneath the grill.

## **Recommended Cleaners for Specific Situations**

<b>JOB</b>	<b>CLEANING AGENTS</b>	<b>COMMENTS</b>
Routine Cleaning	Soap, ammonia, detergent Medallion	Apply with cloth or sponge
Fingerprints & smears	Arcal 20, Lac-O-Nu Ecoshine	Provides barrier film
Stubborn stains & discoloration	Cameo, Talc, Zud First Impression	Rub in direction of polish lines
Grease & Oil	Any good commercial detergent	Apply with sponge or cloth
Restoration/ Passivation	Benefit, Super Sheen	

# Troubleshooting Your Grill

## **GENERAL TROUBLE SHOOTING**

You should inspect the burners at least once a year or immediately if any of the following conditions occur:

- The smell of gas.
- Flames appearing mostly yellow. (Some yellow at the tips is OK)
- The grill will not get hot enough.
- Burners make a snapping noise.
- The grill heats unevenly.

## **SPIDER AND INSECT WARNING**

**INSECT WARNING:** Spiders and insects can nest in the burners of this and other grills, which could disrupt gas flow. This dangerous condition could cause a fire behind and beneath the valve panel, damaging the grill and making it unsafe to operate. We recommend you check the grill and remove any spiders, insects and webs at least once a year to reduce this risk.

## **WHEN TO LOOK FOR SPIDERS**

You should inspect the burners once a year or immediately after any of the following conditions occur:

1. The smell of gas in conjunction with the burner flames appearing yellow.
2. The grill does not reach temperature.
3. The grill heats unevenly.
4. The burners make popping noises.

## **BEFORE CALLING FOR SERVICE**

If the grill does not function properly, use the chart below before contacting your dealer for service. You may save yourself the cost of a service call. Troubleshooting is for general purposes only. If the problem still exists, contact your dealer or the nearest authorized agency for service.

<b>Problem:</b>	<b>Possible Causes and Solutions:</b>
<b>Grill will not light when the igniter button is pushed.</b>	<ul style="list-style-type: none"><li>• Is your gas supply turned on?</li><li>• If this is an L.P. grill, is there gas in your tank? Check your gas level.</li><li>• Is one of your burners turned on? Allow up to 5 seconds of gas flow to ignite.</li><li>• Is your igniter working?<ul style="list-style-type: none"><li>- You should hear a snapping sound when you press the igniter.</li><li>- If you hear a snapping sound, can you see a spark at the electrodes?</li></ul></li></ul>

	<p><b>Note: You will need to remove your cooking grates and flavorizers to see the electrodes. The electrodes should have a 1/8" to 1/4" gap between the electrode and contact point.</b></p> <ul style="list-style-type: none"> <li>• Check your igniter battery and replace if needed.</li> <li>• Check for loose wire connections to the igniter or electrodes.</li> <li>• Check to see if debris is blocking the electrodes.</li> <li>• If the igniter is not working, can you light the grill with a lighter?</li> </ul>
<b>Flare-ups</b>	<ul style="list-style-type: none"> <li>• Check flavorizers and cooking grates for excess food or grease build-up.</li> <li>• Ensure grill is not placed directly in the path of wind. Be sure drip tray is clean (do not use aluminum foil on drip tray.)</li> </ul> <p><b>Note: Some flare-ups may be inevitable if cooking greasy foods.</b></p>
<b>Yellow Flames</b>	<ul style="list-style-type: none"> <li>• Check the burner inlet for obstructions, particularly at air inlets for each burner.</li> <li>• Grill may be in an area that is too windy.</li> </ul>
<b>Flame blows out on low setting or has uneven heat distribution.</b>	<ul style="list-style-type: none"> <li>• Check for spider webs or insect nest in venturi and clean venturi.</li> <li>• Cold grill needs to be preheated for 5 minutes on high setting.</li> <li>• Venturi may be misaligned and needs to be lined up over orifices.</li> <li>• Cold and windy weather will require you to move grill away from the wind.</li> <li>• Lack of fuel. Check to see cylinder valve is open and cylinder has fuel.</li> </ul>
<b>Low heat with the knob on "HIGH"</b>	<ul style="list-style-type: none"> <li>• Check to see if the fuel hose is bent or kinked.</li> <li>• Make sure the grill area is clear of dust.</li> <li>• Check your gas supply and gas pressure.</li> <li>• If it is only one burner that appears low, make sure the orifice or burner is clean.</li> </ul>
<b>Grill is Too Hot</b>	<ul style="list-style-type: none"> <li>• Excess grease build-up causing grease fires.</li> <li>• Damaged or faulty regulator. Replace with factory authorized parts.</li> <li>• Cook on a lower temperature setting.</li> </ul>
<b>Flame behind control panel or control knob area.</b>	<p><b>IMMEDIATELY shut off cylinder valve and allow grill to cool.</b></p> <ul style="list-style-type: none"> <li>• Check for spider webs or insect nest in venturi and clean venturi.</li> <li>• Gas is leaking from a faulty connection. Tighten connections with an adjustable wrench and replace damaged parts. Perform a leak test on all connections before cooking on grill again.</li> <li>• Venturi may be misaligned and needs to be lined up over orifice.</li> </ul>
<b>Fire at any connection.</b>	<p><b>IMMEDIATELY shut off cylinder valve and allow grill to cool.</b></p> <ul style="list-style-type: none"> <li>• Gas is leaking from a faulty connection. Tighten connections with an adjustable wrench and replace damaged parts.</li> <li>• Perform a leak test on all connections before cooking on grill again.</li> </ul>

# Limited Warranty

## LIMITED WARRANTY

Coyote Outdoor warrants to the original purchaser at the original site of delivery with proof of purchase of each Outdoor Gas grill/Side burner that when subject to normal residential use, it is free from defects in workmanship and materials for the periods specified below. This warranty excludes grills used in rental and commercial applications. This warranty excludes surface corrosion, scratches, and discoloration which may occur during regular use. It **does NOT** cover labor or labor related charges. There will be shipping and handling charge for the delivery of the warranty part(s).

<u>COMPONENT</u>	<u>WARRANTY PERIOD</u>
Cooking Grids (no rust or burn through) .....	5 years (limited)
Flavorizer Bars (no rust or burn through).....	2 years (limited)
Electric/Plastic Components .....	2 years (limited)
Ignition systems/Valves .....	1 year (limited)
Charcoal Pan, Charcoal Grid, Thermometer, Ash Tray, Wind Deflector.....	1 year (limited)
Stainless steel frame/housing .....	Limited Lifetime
Stainless Steel Burners (no rust or burn through).....	Limited Lifetime

Our obligation under this warranty is limited to repair or replacement, at our option, of the product during the warranty period. The extent of any liability of Coyote under this warranty is limited to repair or replacement. This warranty does not cover normal wear of parts, damage resulting from any of the following: negligent use or misuse of the product, use on improper fuel/gas supply, use contrary to operating instructions, or alteration by any person other than a factory service center. The warranty period is not extended by such repair or replacement.

**WARRANTY CLAIM PROCEDURE:** If you require service or parts for your Coyote Grill, please contact our Warranty Service Center for factory direct assistance. Our hours of operation are 8 am to 4 pm CST. The phone number is 855.520.1559 and the Fax number is 214.520.1450. You may also fill out warranty claims online at [www.coyoteoutdoor.com](http://www.coyoteoutdoor.com). **Please have your model number, serial number and proof of purchase available for any warranty claim.**

Coyote Outdoor may require the return of defective parts for examination before issuing replacement parts. If you are required to return defective parts, shipping charges must be prepaid by the customer. Upon examination and to Coyote Outdoor's determination, if the original part is proven defective, Coyote Outdoor, may approve your claim and elect to replace such parts without charge. In any instance, customer is responsible for shipping and handling of the replacement parts. Product repair as provided under this warranty is your exclusive remedy. Coyote Outdoor shall not be liable for any incidental or consequential damages for breach of any express or implied warranty on its products.

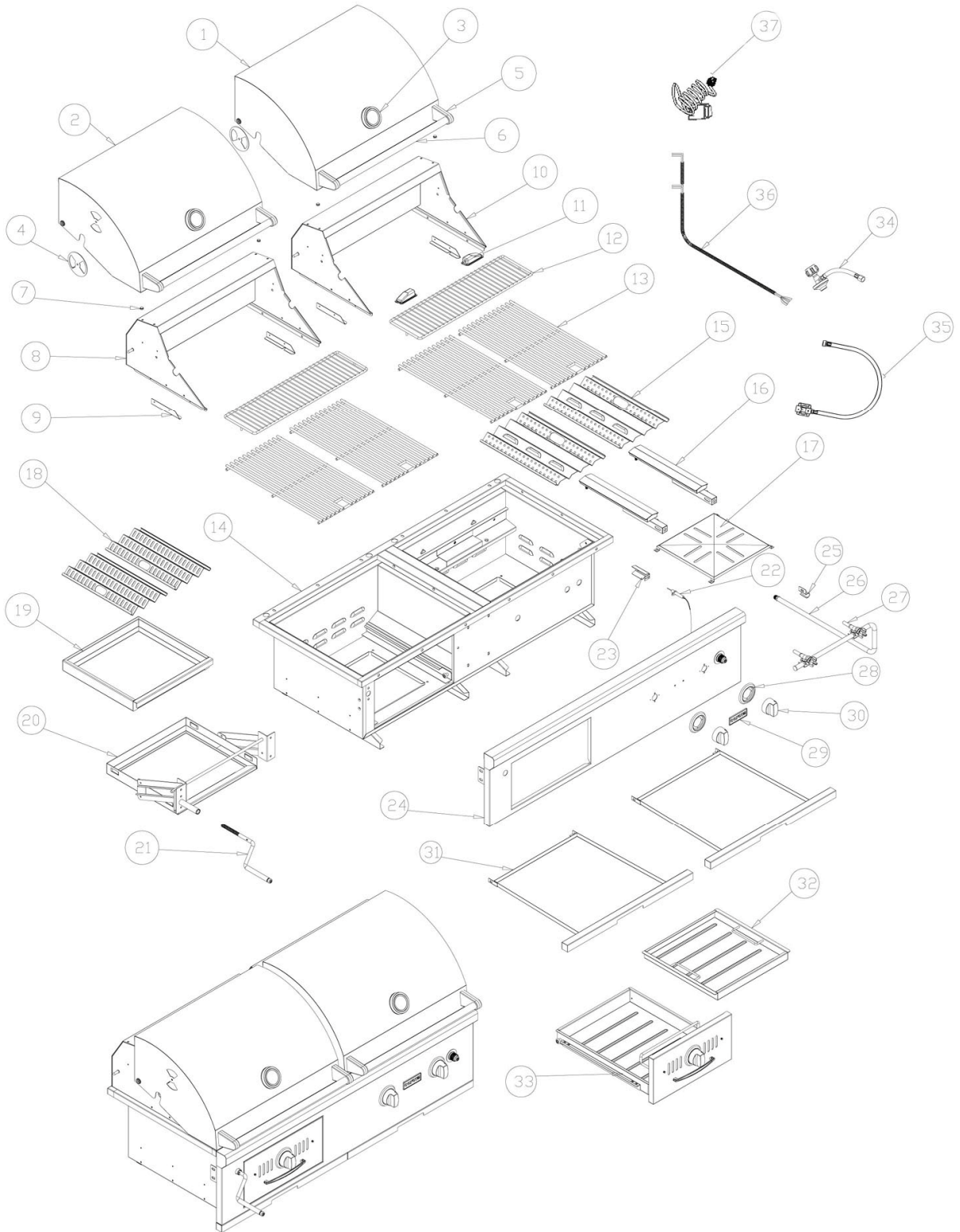
This warranty does not cover any failures of operating difficulties or operating difficulties due to accidents, abuse, misuse, alteration, misapplication, vandalism, improper installation,

maintenance or service, damages caused by flashback fire or grease fires, as set out in the Owner's Manual. This warranty does not cover scratches, dents, corrosion or discoloration caused by weather, heat, abrasive and chemical cleaners, pool or spa chemicals, and/or any tools used in the assembly or installation of this unit. This warranty does not cover paint loss, surface rust, corrosion or stainless steel discoloration which is considered normal wear and tear. This warranty does not cover the cost of any inconvenience, personal injury, or property damage due to improper use or product failure. Deterioration or damage due to severe weather conditions such as hail, hurricanes, earthquakes, tsunamis, tornadoes, terrorism, discoloration due to exposure to chemicals either directly or in the atmosphere, Acts of God/forces of Nature are not covered by this limited warranty.

***For the constant advancement of our products, Coyote Outdoor reserves the right to change the specifications, designs, and materials of the products without prior notification.***

# Parts List

## HYBRID CHARCOAL AND LP/NG GRILL (CH50LP / CH50NG)



<b>COYOTE 50" HYBRID CHARCOAL AND LP/NG GRILL (CH50LP/CH50NG)</b>				
<b>No.</b>	<b>Name</b>	<b>Description</b>	<b>Qty</b>	<b>Part No.</b>
1	Hood	Hood - Gas Grill Side	1	CH500001
2	Hood	Hood - Charcoal Grill Side	1	CH500002
3	Thermometer	Thermometer	2	C0000022
4	Vent	Vent on Hood	2	CH500003
5	Handle Fixing	Handle Fixing	4	C0000007
6	Hood Handle	Hood Handle - Hybrid	2	CH500004
7	Rubber Stopper on Hood	Rubber Stopper on Hood	4	C0000032
8	Lower Hood	Lower Hood - Charcoal Grill Side	1	CH500005
9	Warming Rack Bracket	Warming Rack Bracket	4	C0000025
10	Lower Hood	Lower Hood - Gas Grill Side	1	CH500006
11	Light	Light	2	C0000014
12	Warming Rack	Warming Rack - Hybrid	2	CH500007
13	Grate-CH50 (4pc's) 13 Bar	Grate-CH50 (4pc's) 13 Bar	4	CH500008
14	Firebox	Firebox - Hybrid	1	CH500009
15	Flavorizer	Flavorizer-3B	2	C3B00009
16	SUS Burner	SUS Burner - 304	2	C0000304
17	Wind Guard	Wind Guard	1	CH500010
18	Charcoal Grid	Charcoal Grid	2	CH500011
19	Charcoal Tray	Charcoal Tray	1	CH500012
20	Lift Device	Lift Device	1	CH500013
21	Lift Crank	Lift Crank	1	CH500014
22	Electrode Length=230mm	Electrode Length=230mm	1	C0000230
23	Air Collector	Air Collector	1	CH500015
24	Control Panel	Control Panel - Hybrid	1	CH500016
25	Gas Pipe Clamp	Gas Pipe Clamp	1	CH500017
26	Gas Pipe	Gas Pipe - Hybrid	1	CH500018
27	Standard Valve (SUS Burner) NG	Standard Valve (SUS Burner) NG	2	C0000036
27	Standard Valve (SUS Burner) LP	Standard Valve (SUS Burner) LP	2	C0000037
28	Knob Base	Knob Base	3	C0000012
29	Logo Badge	Logo Badge	1	CH500019
30	Knob	Knob	3	C0000011
31	Drip Tray	Drip Tray - Hybrid	2	CH500020
32	Ash Tray	Ash Tray	1	CH500021
33	Charcoal Drawer	Charcoal Drawer	1	CH500022
34	LP Regulator	LP Regulator	1	C0000030
35	NG Regulator	NG Regulator	1	C0000038
36	3 Burner Light Wire (Hybrid)	3 Burner Light Wire (Hybrid)	1	C3000001
37	Transformer	Transformer	1	C0000023