

COYOTE

Outdoor Living

CS36 (CSL36)

36" S-SERIES GRILL

Model: CS36(L) LP/NG

DESIGNED TO ENDURE.

Outdoor Living. No Compromises.

FEATURES

Premium stainless steel frame, firebox, hood and burners.

Three high performance Coyote iBurners™, plus one infrared rear burner, plus one Coyote RapidSear™ burner

875 sq. in. cooking area

Interior hood lights

Double walled stainless steel hood

Includes premium stainless steel grates, warming rack and performance enhancing Heat Control Grids™

Continuous weld on grill box with seamless, polished edging

Rotisserie kit and smoker box included

Integrated wind guard

Up to 95,000 BTU

Optional LED back lit knobs



OPTIONS

- Grill conversion kit available
- Stainless steel grill cart available
- Custom, weather resistant cover available
- Insulated jacket available
- Optional LED back lit knobs available (CSL36)
- 14" Drop in griddle (CGRDL) available



COYOTE

Outdoor Living

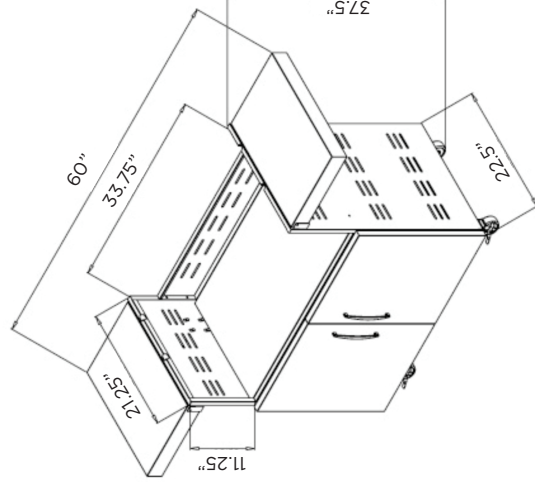
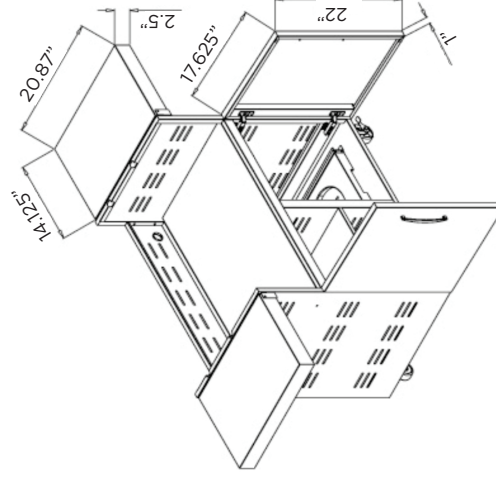
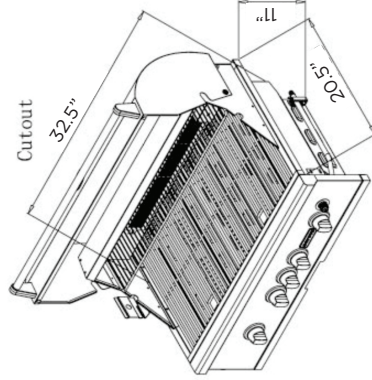
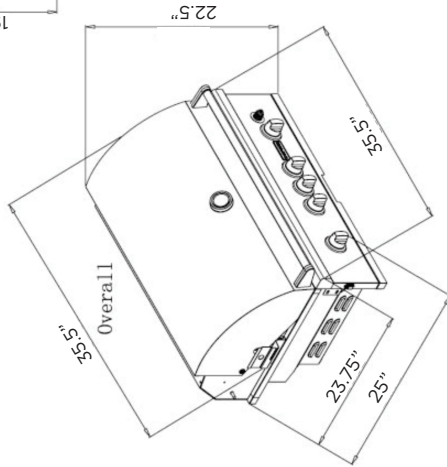
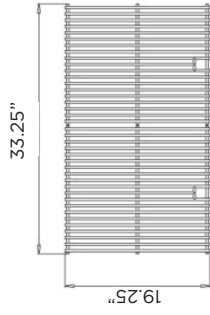
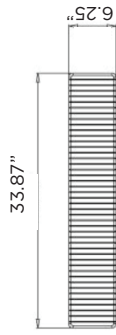
CS36 (CSL36)

Overall Dimensions:

22.5"(H) X 35.5"(W) X 23.75"(D)

Cutout Dimensions:

11"(H) X 32.5"(W) X 20.5"(D)



www.coyoteoutdoor.com

