

# Operating Instructions

## Tumble Dryer

Save these instructions for future reference

*Dear Customer,*

*Thank you for choosing this quality product from ASKO.*

*We hope it will meet all of your expectations and fulfill your needs for many years to come. The Scandinavian design is a combination of clean lines, everyday functionality and high quality. These are the hallmarks for all of our products and this is why they are so highly appreciated all over the world.*

*To get the most out of your new ASKO product, we recommend that you read the installation and operating instructions before using the machine.*

## ASKO TLS752 XXL





# Important Safety Instructions For Gas Dryer

**Caution!**



**For your safety, the information in this manual must be followed to minimize the risk of fire or explosion, or to prevent property damage, personal injury, or death.**

A qualified service person or company must perform installation and service of this appliance.

Do not store or use gasoline or other flammable vapors and liquids in the vicinity of this or any other appliance.

When discarding or storing your old dryer, remove the door.

## **What to do if you smell gas:**

Clear the room, building or area of all occupants.

Do not try to light any appliance.

Do not touch any electrical switch; do not use any phone in your building.

Immediately call your gas supplier from a neighbor's phone. Follow the gas supplier's instructions.

If you cannot reach your gas supplier, call the fire department.

## **For your safety**

Do not store or use gasoline or other flammable vapors and liquids in the vicinity of this or any other appliance.

# Contents

<b>Important safety instruction for gas dryer</b>	<b>3</b>	My dryer doesn't heat	22
<b>Before using your machine for the first time</b>	<b>5</b>	There are greasy spots on my clothes	22
<b>Important safety instructions</b>	<b>6</b>	My dryer displayed an error code.	22
Grounding instruction	7	There is lint on my clothes	23
Interrupting a program	7	There is static in my clothes after drying	23
Packing material	7	The drying time is not consistent	23
Recycling	7	Water is found around the cabinet cover when opening the door.	23
California Safe Drinking Water and Toxic Enforcement Act	8	It takes too long for my clothes to dry	24
<b>Child safety</b>	<b>9</b>	My clothes are wrinkled	24
<b>Description of the tumble dryer</b>	<b>10</b>	My clothes are shrinking	24
<b>Front panel</b>	<b>11</b>	Steam	25
<b>Advice and tips before you tumble dry</b>	<b>12</b>	<b>Installation instructions</b>	<b>26</b>
Have the clothes been spun?	12	Positioning the tumble dryer	26
Laundry labels	12	Connecting the exhaust system	29
Do not tumble dry	12	Alternate exhaust directions	30
Fire Hazard	12	Connection of gas supply	31
Explosion Hazard	12	Electrical plug connections	32
<b>Operating instructions</b>	<b>13</b>	Preparation of the dryer	32
Sensor Dry programs	13	Confirming heat source operation	32
Sensor Dry Preset Program chart	14	Dryer airflow	33
Manual Dry programs	14	Connecting the inlet water hose for steam features	33
Steam Breeze	14	Additional instructions for installation of your dryer in a manufactured or mobile home	34
Manual Dry Preset Program Settings	15	Gas requirement	35
Programmed setting and options guide	16	Gas connections	36
<b>Selecting settings</b>	<b>18</b>	Electrical requirements for dryer	37
Dry Sensor	18	Grounding	37
Temp	18	Electrical connections	38
Dry Time	18	<b>Electrical requirements</b>	<b>39</b>
Signal	18	4-wire connection: Direct wire	40
<b>Selecting options</b>	<b>19</b>	3-wire connection : Direct wire	41
Rack Dry	19	Option 1: 4-wire connection with a power supply cord	42
More Time / Less Time	19	Option 2: 3-Wire connection with a power supply cord	43
Damp Signal	20	Option 3: Optional 3-wire connection	43
Anti-crease	20	<b>Exhaust requirements</b>	<b>44</b>
Delay Start	20	<b>User-maintenance instructions</b>	<b>45</b>
Anti Static	20	<b>Reversing the door</b>	<b>47</b>
Estimated Time Remaining	20	<b>Technical information</b>	<b>48</b>
<b>Care and maintenance instruction</b>	<b>21</b>	<b>Service and guarantee</b>	<b>49</b>
Cleaning the lint filter	21	<b>Quick guide</b>	<b>51</b>
Cleaning the door and its opening	2 1		
<b>Troubleshooting guide</b>	<b>22</b>		
My dryer won't start	22		

# Before Using Your Machine For The First Time

## **Do not tumble dry**

Certain materials are not suitable for tumble drying.

Always check and follow the Instructions on each item's laundry label.

You can find more information in the "Advice and tips before you tumble dry" chapter.

### **Note!**

When starting the tumble dryer for the first time or after a long period without use, you may hear a slight thumping noise.

This noise is completely normal and will disappear after a few loads.

# Important Safety Instructions

## Caution!



**To reduce the risk of fire or explosion, electric shock, property damage, personal injury or death when using this appliance, please follow all instructions and information, including those in this manual and instructions provided by your gas supplier.**

- Read all instructions before using the appliance.
- Do not run appliance while you are out of the home.
- Do not wash or dry articles that have been previously cleaned in, washed in, soaked in, or spotted with gasoline, dry cleaning solvents, cooking oils, or other flammable or explosive substances because they give off vapors that could ignite or explode.
- Do not allow children to play on or in the appliance. Children should be closely supervised when near the appliance.
- Do not reach into the appliance if the drum is moving.
- Do not install or store this appliance where it will be exposed to the weather.
- Do not tamper with controls.
- Do not attempt to repair or replace any part of the appliance or perform any servicing unless specifically recommended in this guide.
- Do not use fabric softeners or dryer sheets unless the manufacturer gives written assurance that the product will not damage a tumble dryer.
- Do not use heat to dry items containing: vinyl, plastic, foam rubber, or similarly textured rubberlike materials, fiberglass, or wool unless the label specifies “washable”.
- Clean the lint filter before or after each load.
- Keep the area around the exhaust opening and adjacent surrounding areas free from the accumulation of lint, dust and dirt.
- The interior of the machine should be cleaned periodically by an authorized ASKO service agent.
- Do not place items exposed to cooking oils in your dryer. Items contaminated with cooking oils may contribute to a chemical reaction that could cause a load to catch fire.
- Electrical dryer installation: if required, must be done by a licensed electrician.
- Do not operate appliance while away from the home.
- Do not heat dry items that have been dry cleaned.
- The dryer is made and marked to facilitate recycling. When it is no longer useful, contact your local refuse collection service for advice on how to properly dispose of the dryer for purposes of recycling.
- Damaged power cables should only be replaced by a certified professional.
- Provide sufficient ventilation, otherwise smoke from open fires or fumes from equipment burning other fuels can be drawn into the room.
- Place dryer at least 18 inches above the floor for a garage installation.

## Caution!



During the program, the back of the dryer will get very hot. Let the machine cool completely before touching the back.

# Important Safety Instructions

## Caution!



This appliance must be properly grounded.

## Grounding instruction

### A) Grounding instructions for a grounded, cord-connected appliance:

In the event of malfunction or breakdown, grounding will reduce the risk of electric shock by providing a path of least resistance for electric current. This appliance (Canadian market only) is equipped with a cord having an equipment-grounding conductor and a grounding plug. The plug must be plugged into an appropriate outlet that is properly installed and grounded in accordance with all local codes and ordinances.

## Caution!



Improper connection of the equipment grounding conductor can result in a risk of electric shock. Check with a qualified electrician or service representative or personnel if you are in doubt as to whether the appliance is properly grounded. Do not modify the plug provided with the appliance (Canadian market only). If it will not fit the outlet, have a proper outlet installed by a qualified electrician.

### B) Grounding instructions for a permanently connected appliance:

This appliance must be connected to a grounded metal, permanent wiring system, or an equipment-grounding terminal or lead on the appliance.

## Note!

This manual does not cover every possible condition and situation that may occur. Use common sense and caution when installing, operating, and maintaining any appliance.

## Interrupting a program

- You can stop a drying program by:
- Opening the door. The drum will then stop automatically.
- Pressing the main power switch.
- You can also stop a program by pressing the Stop button.
- When you want to resume tumble drying, close the door and press the Start button.
- If a program has been interrupted for 10 minutes the program will be cancelled and the machine will turn itself off. You will then have to start the program over again.

## Packing material

Please sort waste materials in accordance with local guidelines.

## Recycling

This machine is manufactured and labeled for recycling. In order to prevent injuries, the machine must be made unusable once the decision has been taken to dispose of it. Contact your local authority for information about where and how your machine can be recycled correctly.

# Important Safety Instructions

**Caution!**



## **California Safe Drinking Water and Toxic Enforcement Act**

This act requires the governor of California to publish a list of substances known to the state to cause cancer, birth defects or other reproductive harm and requires businesses to warn customers of potential exposure to such substances.

Gas appliances can cause minor exposure to four of these substances, namely benzene, carbon monoxide, formaldehyde and soot, caused primarily by the incomplete combustion of natural gas or LP fuels.

Properly adjusted dryers will minimize combustion. Exposure to these substances can be minimized further by properly venting the dryer to the outdoors.



# Child Safety

**Caution!**



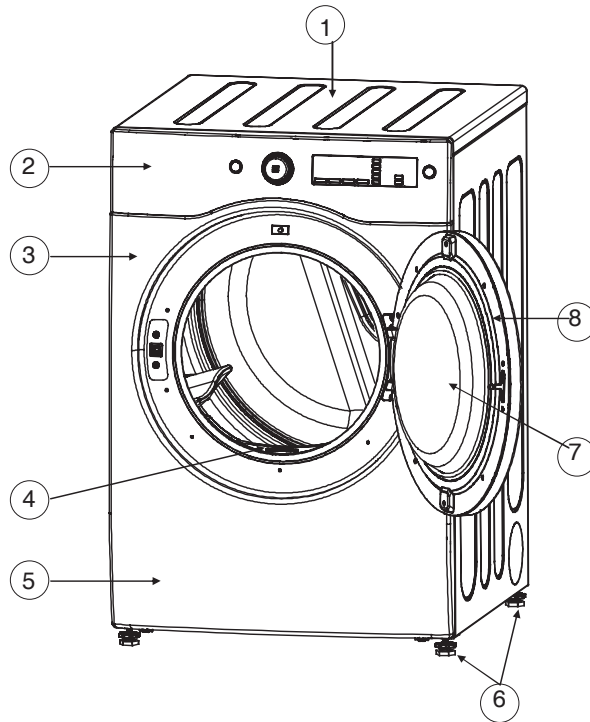
## **Do not allow children to play with the Tumble dryer.**

The tumble dryer does not start automatically when the door closes (for example, if a child closes the door from inside).

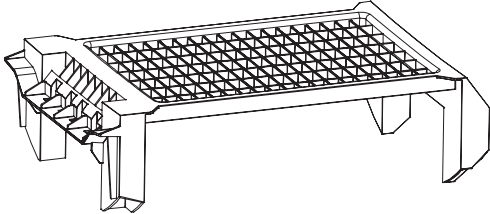
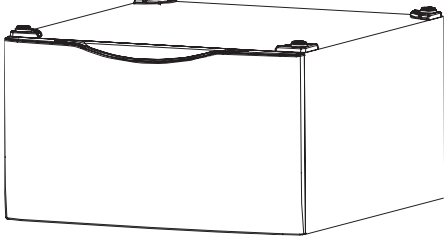
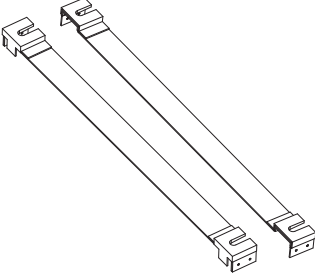
The tumble dryer has a door lock, which allows the door to be opened from the inside. The door has a door-switch that automatically stops the tumble dryer when the door is opened.

# Description Of The Tumble Dryer

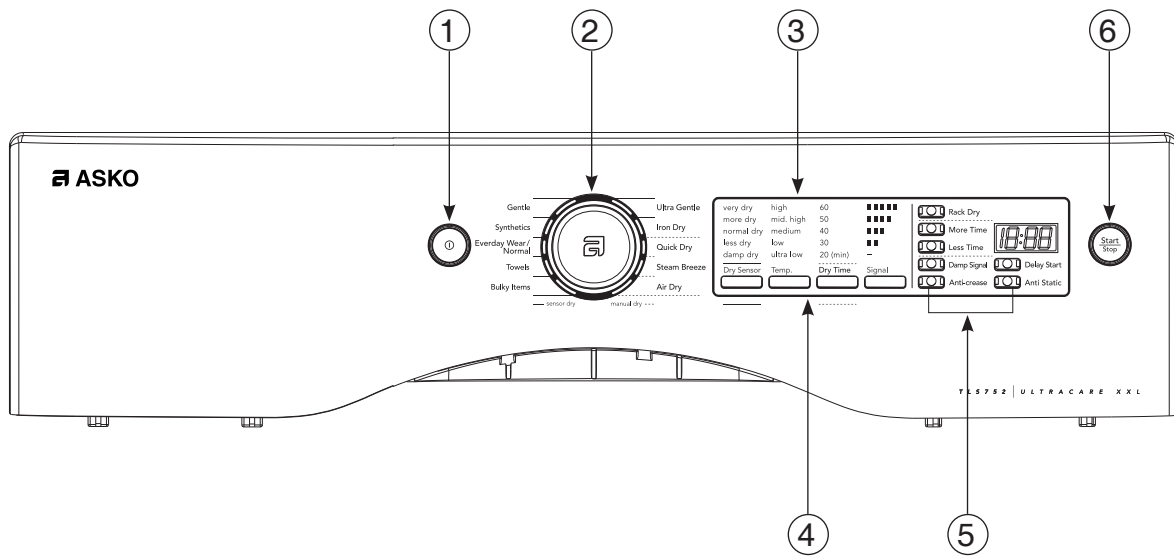
1. Top plate
2. Program panel
3. Front cabinet
4. Lint filter holder
5. Fan (behind the front cabinet)
6. Adjustable legs
7. Glass door
8. Outer door



## Accessories

Dryer Rack	Pedestal Purchased Separately
	 <p data-bbox="847 1480 1417 1552">* Design of pedestal is subject to change without manufactures notice.</p>
Stacking Kit Purchased Separately	
	

# Front Panel



1. Main power button
2. Program selector
3. Display window

4. Setting buttons
5. Option buttons
6. Start/Stop button

# Advice And Tips Before You Tumble Dry


Here are some tips that may help you before you begin tumble drying.

## Have the clothes been through a spin cycle?

Items to be tumble dried should be spun at 1000 rpm or faster. Higher spin speeds save both energy and drying time.

## Laundry labels


### Materials that can be tumble dried

 This symbol means that the material is suitable for tumble drying. Fabrics best suited to tumble drying are cotton fabrics, terry cloth, and synthetic fibers. Garments will be softer and lighter when tumbled than when hung out to dry.

#### Note!

The tumble dryer does not cause any significant wear to fabrics. The lint trapped in the lint filter consists of dust and fiber residues which gather when the items are used.

### Materials that should not be tumble dried

 This symbol means that the material is not suitable for tumble drying. Certain materials may melt or become a fire hazard if exposed to heat and others can lose their shape or shrink

## Do not tumble dry

- Materials labeled “Do not dry near heat”.
- Garments that have been dry-cleaned at home.
- Plastic foam.
- Fiberglass material.
- Wool must not be tumble dried due to the risk of piling.

#### Note!

If the door is opened during the program, the program will be interrupted and will return to the start. The clothes may be too damp or too dry as a result.

#### Caution!



## Fire Hazard

No washer can completely remove oil. Do not dry anything that has ever had any type of oil on it (including cooking oils). Items containing foam, rubber, or plastic must be air dried. Failure to follow these instructions can result in death or fire.

## Explosion Hazard

Keep flammable materials and vapors, such as gasoline, away from the dryer. Do not dry anything that has ever had anything flammable on it (even after washing). Failure to follow these instructions can result in death, explosion, or fire.

# Operating Instructions

## Caution!



To reduce the risk of electric shock or injury, read the “Important Safety Instructions” selection before operating this appliance. Below are step-by-step instructions to help you achieve the best possible tumble drying results.

### 1 Sort your fabrics.

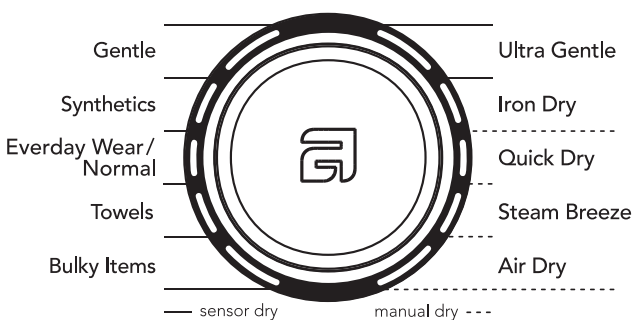
You will achieve the most uniform drying results if the items are made of the same type of material. Close zippers and fasten button or belts; sort the items and adjust load and temperature.

### 2 Turn on the main power button.

### 3 Open the door, load the items, and close the door.

### 4 Select the program.

Choose a program that is suitable for the type of load you are drying.



## 1. Sensor Dry program

Sensor Dry programs allow you to match the program to the load you are drying. Each program dries certain fabrics at the recommended temperature. A sensor detects the moisture in the load and automatically adjusts the drying time for optimal drying.

### Bulky items

This program is used for drying heavy fabrics such as quilts and blankets.

### Towels

This program is used for drying heavy fabrics such as towels, corduroys or work clothes.

### Everyday Wear/Normal

This program is used for drying jeans, shirts, most cotton items.

### Synthetics

This program is used for drying permanent press, synthetic items.

### Gentle

This program is used for drying lingerie, sheets, blouses and delicate items

### Ultra Gentle

This program used for drying workout clothes, spandex, and no-iron finishes.

### Iron Dry

This program is used for the load which needs to remain just damp enough for ironing or pressing.

# Operating Instructions

## Sensor Dry Preset Program chart

Sensor Dry Programs Load Type	Temperature	Time (Minutes)
Bulky Items (Bulky, Heavy weight)	High	55
Towels (Towel, Heavy weight)	High	50
Everyday Wear (Towel, Denim pants)	Mid. High	59
Synthetics (Prem. press, Synthetic)	Medium	47
Gentle (Lingerie, Blouses)	Low	40
Ultra Gentle (Race, workout clothes, Spandex)	Low	35
Iron Dry (Shear, Workout wear, Lace items)	Ultra Low	25

## 2. Manual Dry programs

Use Manual Dry programs to select a specific amount of drying time and a drying temperature. When the manual dry program is selected, the estimated time remaining display shows the actual time remaining in your program. You can change the actual time in the program by pressing More Time or Less Time.

### Quick Dry

This program is used for small loads or loads that need less drying time.

## Steam Breeze

This program is used for removing wrinkles and odors from items such as clothes packed in a suitcase or items wrinkled from being left in the dryer too long “STEAM BREEZE” brings new life to wrinkles that have been stored for an extended time.

### Note!

#### Steam Breeze Functions

- Do not use STEAM BREEZE with item such as wool, blankets, leather jackets, silk, wet clothes, lingerie, foam products.
- For best results, load articles of similar size and fabric type. Do not overload, (Max. 5 Standard dress shirts: 2.2 lb.) \*shirt : 60~70% cotton / 30~40% poly-blend.
- When the filter/duct is clogged, the Steam option may not have optimal results.
- When the Steam function is operating, the drum will stop to allow steam to stay in the drum.

### Caution!



- Do not open the dryer door during steam cycles. Steam can cause severe burns.
- Do not touch the steam nozzle in the drum during or after the STEAM cycle.

# Operating Instructions

## Air Dry

This program is used for items that require drying without heat such as rubber, plastic and heat-sensitive fabrics.

## When using Air Dry

This chart shows examples of items that can be dried using Air Dry.

Type of Load	Time (Minutes)
Foam rubber-pillows, padded bras, stuffed toys	20 - 30
Plastic shower curtains, tablecloths	20 - 30
Rubber-backed rugs	40 - 50
Olefin, polypropylene, shear nylon	10 - 20

- Check to see that coverings are securely stitched.
- Shake and fluff pillows by hand periodically during the cycle.
- Dry item completely. Foam rubber pillows are slow to dry.

## Manual Dry Preset Program settings

Manual Dry Programs Load Type	Temperature	Time (Minutes)
Quick Dry (Small loads)	High	30
STEAM BREEZE (Remove wrinkles and odor)	Medium	17
Air Dry	-	59

# Operating Instructions

## 5 Programmed setting and options guide

Cycles		Dry Sensor	Temperature	More Time Less Time	Rack dry Anti crease Delay start	Damp signal
Bulky items	Default	Normal	High	X	O	O
	Select	All	X			
Towels	Default	Normal	High	X	O	O
	Select	All	X			
Everyday wear	Default	Normal	Mid. High	X	O	O
	Select	All	X			
Synthetic	Default	Normal	Medium	X	O	O
	Select	All	X			
Gentle	Default	Normal	Low	X	O	O
	Select	All	X			
Ultra gentle	Default	Normal	Low	X	O	O
	Select	All	X			
Iron dry	Default	Damp dry	Ultra low	X	O	O
	Select	X	X			
Quick dry	Default	—	High	O	O	X
	Select	X	Ultra low~high			
Steam Breeze	Default	—	Medium	X	X	X
	Select	—	X			
Air dry	Default	—	—	O	O	X
	Select	X	X			

- A. If you select Rack Dry, the previous course and operation will be cancelled.  
 B. If you select Rack Dry, Anti-crease and Damp signal is not available.



# Operating Instructions

## 6 Press the Start button

**Remaining drying time**  
The remaining drying time will be shown on the display. For example, 1:35 means it will take approximately 1 hour and 35 minutes for the load to dry. If the Anti-crease option has been selected, the drum will rotate until you press the Power button or Start/Stop button.

### Note!

- The program will not be affected if you change the program selector after the program has started.
- The program will continue from where the program was interrupted if you close the door and press the Start button within 10 minutes. If the program is interrupted for more than 10 minutes, the dryer will be shut off. Select new program settings before restarting the dryer.

## Loading or removing laundry

If you want to load or remove laundry once you have started the machine, open the door and the program will stop. Add more laundry or take out the items you want, close the door, and press the Start/Stop button

## 7 Dry program finished

The text “END” appears on the display when the program has ended. If the Anti-crease option has been selected, the drum will periodically rotate until you press Power button or Start/Stop button.

### Note!

Clean the lint filter after each load.

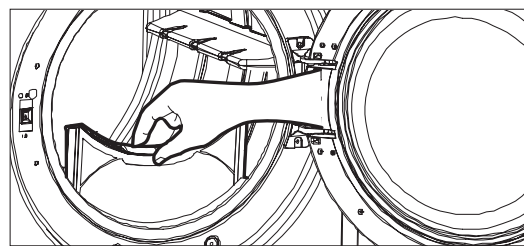
### Caution!



If the lint filter becomes clogged, the machine's automatic overheating cut-off may be triggered.

## Cleaning the lint filter

1. Open the door and pull the filter straight up.



2. The filter may need to be cleaned if it has lime-scale deposits. See the “Care and maintenance” chapter.

## 8 Once drying has finished

Turn off the power switch. Remove the clothes and close the door to prevent small children from climbing into the machine

# Selecting Settings

very dry	high	60	
more dry	mid. high	50	
normal dry	medium	40	
less dry	low	30	
damp dry	ultra low	20 (min)	-
Dry Sensor	Temp.	Dry Time	Signal
<input type="button"/>	<input type="button"/>	<input type="button"/>	<input type="button"/>

manually by pressing the Dry Time button between 20 to 60 minutes.

## Signal

The Signal controls the volume of the beep that is made at the end of the cycle. Press Signal to adjust the sound level or turn off the signal.

## Dry Sensor

- Use these buttons to set the desired dry level.
- First, select the Sensor Dry program.
- Select the dry level to adjust how much you want to dry the load. As the program runs, the control senses the dryness of the load and adjusts the time automatically based on the selected dryness level.

### Note!

Dry Sensor selections can only be made while using the Sensor Dry programs. Selecting “more dry” or “less dry” automatically adjusts the preset times for the manual dry programs.

## Temp

Use the Temp. option to select temperatures for the Manual Dry programs.

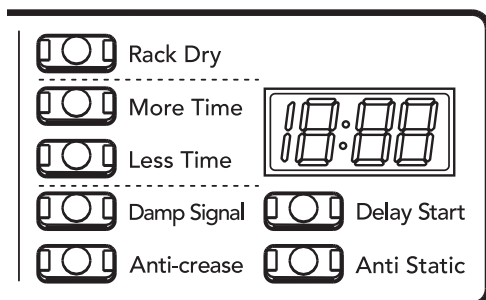
Press Temp. until the desired temperature setting glows. You can't change temperatures on sensor dry programs. Temperature is set by the program.

## Dry Time

Use Dry Time option to change drying time per your preference.

When choosing Dry Time, the temp is always set to “High” by default however temperature can be changed per your desired setting. You can select the desired operation time

# Selecting Options



## Rack Dry

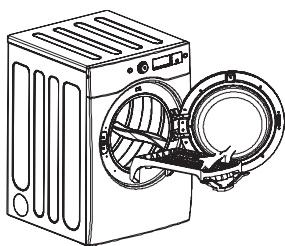
Rack Dry is designed to use for items which are not suitable for tumble drying such as sweaters, silk and lingerie. This option may be used for drying sneakers

### Note!

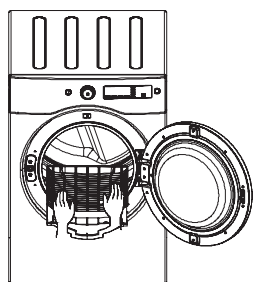
During the Rack Dry cycle

- Time remaining goes to 55 min. and no default temperature.
- Only LOW and ULTRA LOW temperature can be selected.
- MORE/LESS time can be used to change dry time.
- ANTI CREASE and DAMP Signal options are disabled.

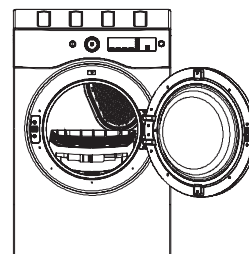
1. Open the door. Hold the dryer rack with both hands.



2. Put the dryer rack into the drum.



3. Make sure the dryer rack is setting evenly on the front and rear of the drum inside the machine.



Don't use the rack for normal tumble drying. The rack is shipped in place in your dryer. Please remove the rack before using this dryer for the first time.

Suggested Items for Rack Drying	Temperature Setting	Time (Minutes)
Washable wool items	Low	20
Stuffed toys with cotton or polyester fiber filling	Low/Ultra Low	20 - 30
Stuffed toys, foam rubber filled	Air Dry/ Ultra Low	50 - 30
Foam rubber pillows	Air Dry	50
Athletic shoes	Air Dry	20

## More Time / Less Time

Press More Time or Less Time until the desired drying time is set.

# Selecting Options

## Note!

Time change is available only with Manual dry, Dry Time and Rack dry programs.

## Damp Signal

When you select the Damp Signal option, a beep will alert you when your load is just damp enough for ironing or pressing. This notice will allow you to remove lightweight items that are dry or other items that you may wish to iron.

## Anti-crease

This option helps to prevent wrinkles on your laundry. When you select the Anti-crease option, the drum will periodically rotate until you press the Power button, Start/Stop button, or open the door. You can use this option in case you cannot remove laundry immediately after drying is done.

## Delay Start

When you select Delay Start, the machine will start between 1 and 12 hours after you press the Start/Stop button.

- Press the Delay Start button the same number of times as the number of hours by which you want to delay the start (1~12 hours).
- The number of hours of delay start you have selected will be shown in the display.
- Press the Start/Stop button.
- The number of hours to start is displayed with a countdown one hour at a time.
- Cancel Delay Start by pressing the power button and turning the machine off.
- Turn the power back on, select a program and press the Start/Stop button.

## Note!

Remember to press the Start/Stop button to start the program.

## Anti Static

This option injects steam late in the drying cycle to reduce the static electricity caused by dry fabrics rubbing together.

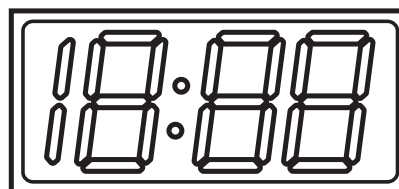
The programs where this option is available are; Everyday Wear/Normal, Towels, and Bulky items.

## Caution!



- Do not open the dryer door during Steam cycles. Steam can cause severe burns.
- Do not touch the steam nozzle in the drum during or after the STEAM cycle.

## Estimated Time Remaining



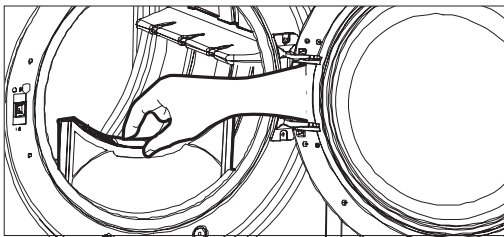
The display shows the estimated time remaining. In addition to this, if the dryer has some problem, it displays error messages. Refer to Troubleshooting guide.

# Care And Maintenance Instruction

## Cleaning the lint filter

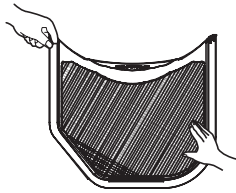
Clean the filter after each use and check it before use. Not cleaning or emptying the filter will increase drying time and energy consumption, potentially shortening the dryer life expectancy.

1. Open the door and pull the filter straight up.

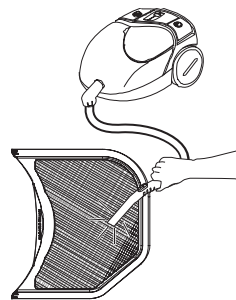


2. Clean the filter using one of the following methods.

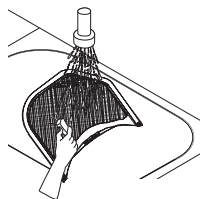
Run the fingers across the filter.



Vacuum the lint filter.

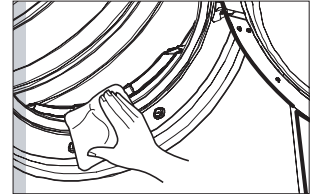


Wash the lint screen in warm, soapy water. Dry thoroughly and replace.

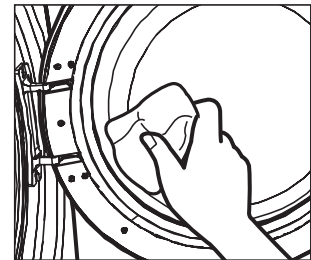


## Cleaning the door and its opening

1. Wipe the door opening. Accumulations of lint or dirt may prevent the door from sealing properly.



2. Clean the transparent glass door to keep the inside view clear through the glass.



# Troubleshooting Guide

Save time and money! Review the charts on the following pages first and you may not need to call for service.

## 1. Problem: My dryer won't start.

Question	What to Do
• Is the dryer plugged in?	Confirm that the dryer's plug is securely and completely pushed into the laundry room's power outlet.
• Is the fuse blown, or is the circuit breaker tripped?	Check your home's or laundry room's fuse box/circuit breaker box and replace the fuse or reset the circuit breaker. (IMPORTANT: electric dryers generally use two fuses or breakers.)

## 2. Problem: My dryer doesn't heat.

Question	What to Do
• Is the fuse blown, or is the circuit breaker tripped?	If the fuse is blown or the circuit breaker tripped, the dryer might tumble but not heat. Check your home's or laundry room's fuse box/circuit breaker box and replace the fuse or reset the circuit breaker. (IMPORTANT: electric dryers generally use two fuses or breakers.)
• Is the gas supply or service blocked or off?	Confirm that the house gas shutoff and the dryer gas shutoff are both fully open.

## 3. Problem: There are greasy spots on my clothes.

Question	What to Do
• Did you follow the instructions on your fabric softener product?	Confirm and follow the instructions provided with your fabric softener product.
• Are you drying clean and dirty clothes together?	Make sure to use your dryer to dry only clean items, because dirty items can soil clean clothes placed in the same load or later placed in the dryer drum.
• Were your clothes entirely clean?	Stains on dried clothes are actually stains that weren't removed during the washing process. Please review and confirm that you are following your washing instructions and that the clothes are being completely cleaned.

## 4. Problem: My dryer displayed an error code.

Question	What to Do
H1	Humidity sensor error. Power off and restart.
H2	Temperature sensor error. Power off and restart.
H5	Heater temperature control problem. Call our customer care center.
H3(GAS TYPE)	Flame detector problem. Call our customer care center.
H7(GAS TYPE)	Gas valve or gas valve blockage problem. Check your gas supply at the connection of gas hoses and valves.
H8(GAS TYPE)	Igniter and flame detector problem. Call our customer care center.

# Troubleshooting Guide

## 5. Problem: There is lint on my clothes.

Question	What to Do
• Is your lint filter full?	Please refer to the manual section on cleaning the lint filter, and please confirm that the lint filter is clean. It is important that the lint filter is clean before each new load of laundry.
• Did you properly sort your load of laundry?	In order to reduce the amount of lint in a load of laundry, sort lint producers (like a fuzzy white cotton towels) separately from clothes that might catch lint (such as a pair of black linen pants).
• Do your clothes have excess static electricity?	See comments below under “There Is Static In My Clothes After Drying”.
• Did you overload your dryer?	Divide your larger load into smaller loads.
• Did you place any paper, tissue, or other similar material in the load?	Sometimes a person might forget to take a piece of paper or a tissue out of a pocket, and this paper, tissue, or similar material can cause excess lint in a load of laundry. Confirm that the pockets of pants, shirts, and other articles of clothing are empty before washing and drying.

## 6. Problem: There is static in my clothes after drying.

Question	What to Do
• Did you use Anti-Static option?	Try using a Anti-Static option to reduce static electricity build up during drying cycle.
• Did you use fabric softener?	Try using a fabric softener to reduce static electricity.
• Did you over dry the load of laundry?	Over-drying a load of laundry can cause a build up of static electricity. Try using a fabric softener or adjust your settings and use a shorter drying time.
• Are you drying synthetic, permanent press and blends?	These materials can cause static to build up in a load of dried clothes. Try using a fabric softener.

## 7. Problem: Inconsistent dry times and levels of dryness.

Question	What to Do
• Are you using consistent heat settings and consistent load sizes	The drying time for a load will vary depending on the heat setting, the type of heat used (electric, natural or LP gas), the size of the load, the type of fabrics, the moisture of the clothes and the condition of the exhaust ducts and lint filter.

## 8. Problem: Water is found around the cabinet cover when opening the door.

Question	What to Do
• Is water found around cabinet cover when opening the door?	This is normal because it is condensed moisture from the drying process.

# Troubleshooting Guide

## 9. Problem: It takes too long for my clothes to dry.

Question	What to Do
• Did you properly sort your loads of laundry?	Separate heavy weight items from light weight items when creating loads.
• Are you drying large loads of heavy fabrics?	Heavy fabrics take longer to dry because they tend to retain more moisture. To help reduce and maintain more consistent drying times for large and heavy fabrics, separate these items into smaller loads of a consistent size.
• Are the dryer controls properly set?	Use the appropriate control settings for the type of load you are drying.
• Is the lint filter clean before each new load of laundry?	Please confirm that the lint filter is clean prior to each new load of laundry.
• Are the exhaust ducts clear and properly configured?	Confirm through review of the appropriate sections of this manual that the exhaust venting duct work is properly configured. Confirm that the venting is free of obstructions. Confirm that the outside wall dampers are moving freely, that the dampers are not pushed in, and that nothing has been set against the dampers.
• Is the fuse blown, or is the circuit breaker tripped?	Check your home's or laundry room's fuse box/circuit breaker box and replace the fuse or reset the circuit breaker. (IMPORTANT: electric dryers generally use two fuses or breakers.)
• Did you overload your dryer?	Divide your larger load into a number of smaller loads.
• Did you under load your dryer?	If you are only drying a handful of items, add a few extra pieces to help ensure proper tumbling action.

## 10. Problem: My clothes are wrinkled.

Question	What to Do
• Are you over drying your laundry?	Over drying a load of laundry can lead to wrinkled clothes. Try a shorter drying time, and remove items while they still retain a slight amount of moisture.
• Are you removing your laundry from the dryer soon after the drying cycle is complete?	Remove your laundry from the dryer after the drying cycle ends and either hang or fold the items.

## 11. Problem: My clothes are shrinking.

Question	What to Do
• Are you following the care instructions for your garment?	To avoid shrinkage, please carefully follow the care and use instructions for your garment, because some fabrics will naturally shrink when washed. Other fabrics can be washed but will shrink when dried in a dryer.



# Troubleshooting Guide

## 12. Problem : Steam

Question	What to Do
• Water drips from nozzle when Steam cycle starts.	This is normal condensation. The dripping will stop soon..
• Steam doesn't generate but no error code is shown	Check if the cord of dryer is connected. If the steam isn't generated even with the dryer plugged in, call the service center.
• Garments still wrinkled after STEAM BREEZE	Check that the load isn't too large and that the clothing type is appropriate for the Steam Breeze cycle.
• The drum does not turn during Steam cycle	When the Steam function is operating, the drum will stop to allow steam to stay in the drum.
• Top plate of the dryer is very warm	The top plate of dryer will get warm during steam functions.
• Odors remain in clothing after STEAM BREEZE	The odor of clothing remains in spite of the use of steam breeze. Be sure to use the steam breeze after normal cycled cleaning.

# Installation Instructions

## Caution!



### Risk of Fire

Dryer installation must be performed by a qualified installer.

- Install the dryer according to the manufacturer's instructions and local codes.
- Do not install a dryer with flexible plastic venting materials. If flexible metal (foil type) duct is installed, it must be UL certified for use with clothes dryers. Flexible venting materials are known to collapse, be easily crushed, and trap lint. These conditions will obstruct dryer airflow and increase the risk of fire.
- To reduce the risk of severe injury or death, follow all installation instructions.
- Save these instructions.

The following instructions will guide you through the initial steps of setting up your dryer.

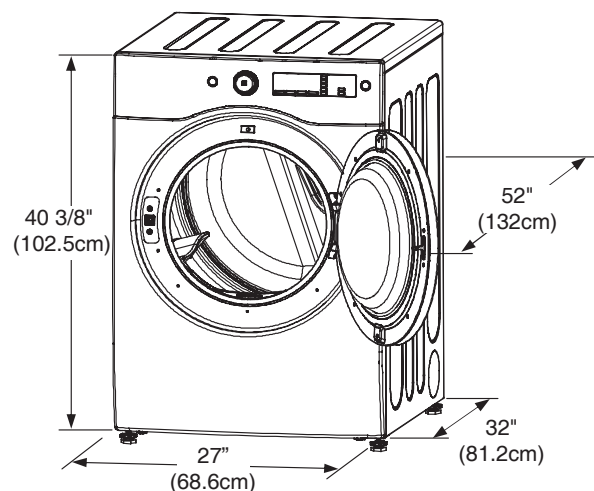
Please note that every section of this manual provides important information regarding the preparation and use of your dryer. It is important that you review this entire manual before proceeding with any installation or use.

More detailed instructions concerning electrical connections, gas connections, and exhaust requirements are provided in other parts of this manual.

## Step 1. Positioning the tumble dryer

Choose a location with a solid floor for your dryer.

Place the dryer in the desired location and please make sure that it has the required clearances shown below.



- Most installations require a minimum 6" (15.2 cm) clearance behind the dryer for the exhaust vent with elbow.

## Note!

Leveling legs should be secured.

All four legs should be firmly placed on a solid and even floor.

If dryer is not level, laundry may not tumble properly and sensor will not detect humidity information accurately.

When leveling, please be cautious not to injure your fingers and toes.

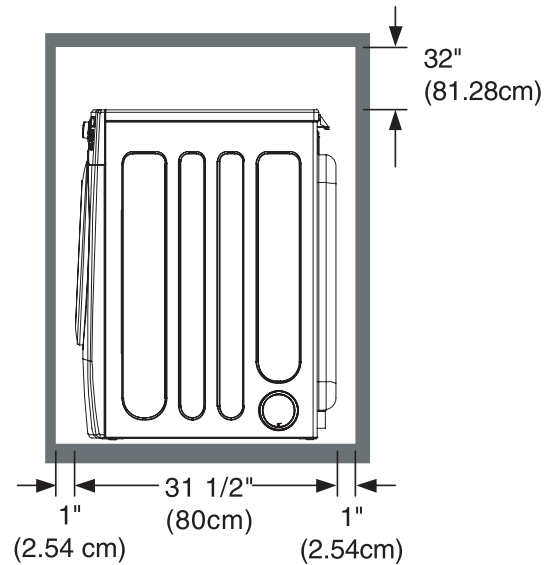
If you install the dryer on the optional pedestal, it is necessary to level with the pedestal leveling legs.

# Installation Instructions

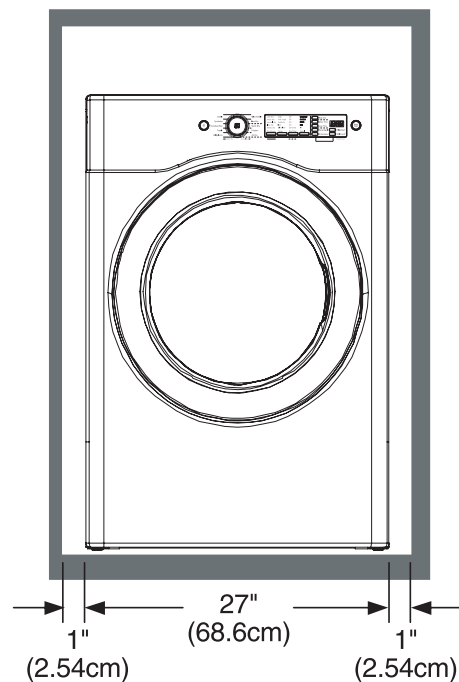
## Minimum clearances on top, rear, and sides of the unit as show below are required.

Those required minimum clearances are set forth in the picture below. Please keep the following instructions in mind when installing in a closet or recessed area :

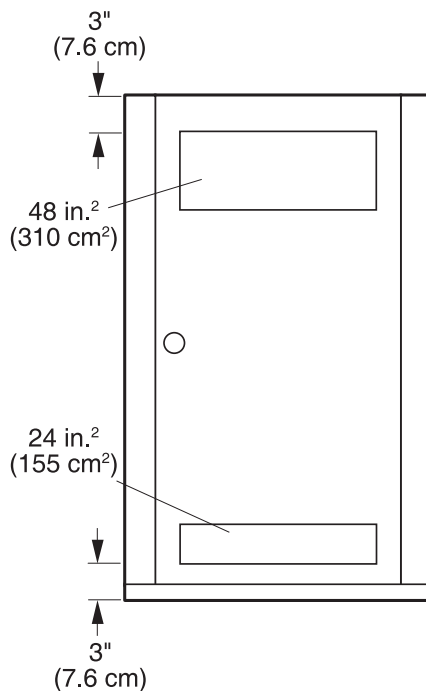
- Consider allowing additional clearance for installation and servicing.
- Wall, door and floor molding may necessitate additional clearances.
- Additional clearance is recommended to reduce noise while operating.
- Consider the space needed for companion appliances.
- For closet installations, the picture below shows the minimum required ventilation openings for the door.
- A louvered door with comparable ventilation openings is also acceptable.



Closet Side View

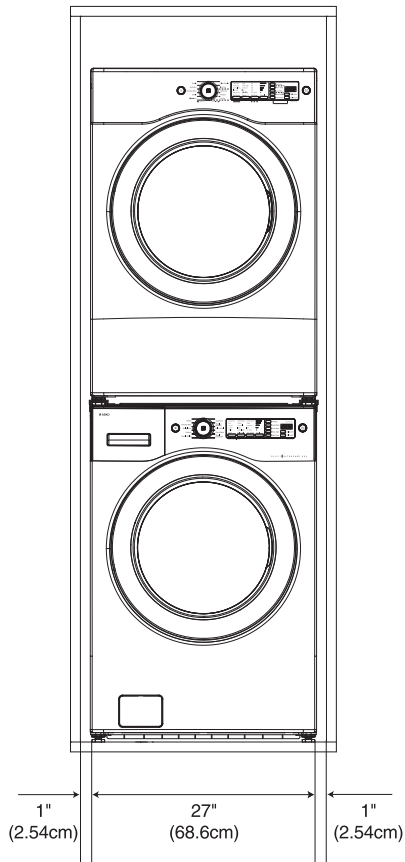


Closet-Front View

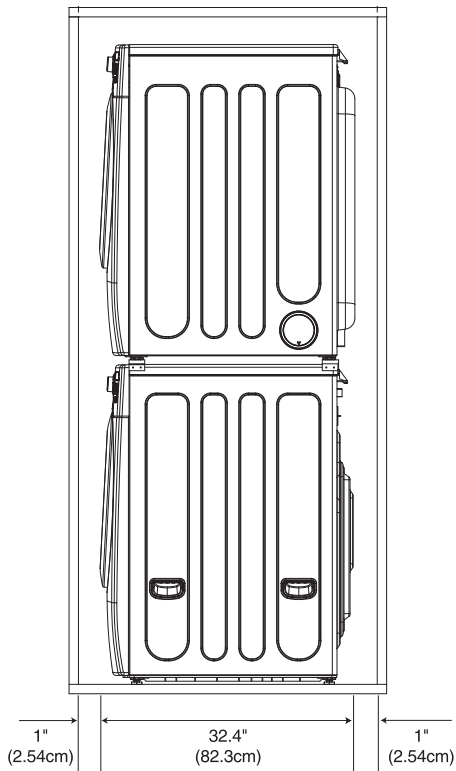


Closet Door Vent Requirements

# Installation Instructions



Closet, Stacking - Front View



Closet, Stacking - Side View

Once in position, adjust the leveling legs of the dryer until it is level from left to right and front to back. Be sure to tighten the leveling leg lock nuts against the bottom of the dryer. The leveling legs must remain firmly on the floor and the dryer should not rock.

The maximum slope of the dryer from left to right or front to back should not exceed 1" (2.5 cm). If the dryer is not level, and if the slope exceeds 1" (2.5 cm), a load may not tumble properly and internal sensors may malfunction.

## Note!

Other sections of this manual also provide important information concerning the placement of and clearances for your dryer. Please review this entire manual before proceeding with any installation.

# Installation Instructions

## Step 2. Connecting the exhaust system

### Caution!



- To reduce the risk of fire this appliance **MUST BE EXHAUSTED OUTDOORS.**
- The appliance shall not be exhausted into a chimney, a wall, a ceiling, an attic, a crawl space, or a concealed space of building.
- Only rigid or flexible metal duct should be used, for exhausting.
- The total length of flexible metal duct shall not exceed 2.4 m.
- Do not use plastic or thin foil duct unless it is UL certified.
- Failure to follow these instructions can result in death or fire.
- Clean old ducts before installing this dryer.

### Caution!

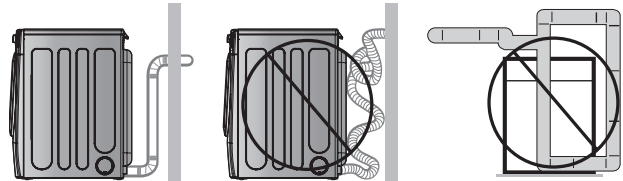


The exhaust must be vented to the outside. Improper taping and incorrect installation will cause dryer malfunction.

In addition to the above warnings, please refer to manual section on Exhaust Requirements and Maintenance.

### Note!

To reduce the risk of fire, combustion, and gas accumulation, the dryer must be vented to the outdoors. Please follow the instructions (and all others in this manual) very carefully.



- Foil-type flexible ducts shall comply with the outline for dryer transition duct, Subject UL 2158A, shall be used.
- Use 4" (10.2 cm) diameter rigid or semi-rigid metal duct (NOTE! Venting materials are not supplied with the dryer, and you should obtain the venting materials necessary for proper installation)
- Use the maximum duct length and number of bends as described in the "Exhaust requirements" section.
- Position the dryer so that the exhaust duct run is as short as possible.
- The duct shall not be assembled with screws or other fastening means that extend into the duct and catch lint.

## Clean old ducts before installing this dryer

- The male end of each section of exhaust duct must point away from the dryer.
- Use as few elbow joints as possible.
- Use duct tape on all duct joints.
- Insulate duct work that runs through unheated areas in order to reduce condensation and lint build-up on pipe walls.

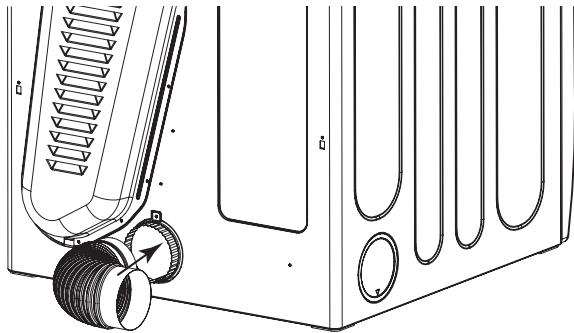
**PLEASE BE AWARE THAT FAILURE TO EXHAUST THE DRYER CORRECTLY WILL VOID THE DRYER'S WARRANTY.**

# Installation Instructions

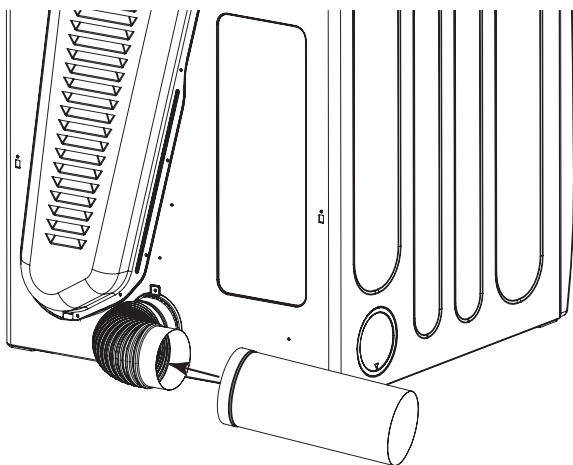
## Alternate exhaust directions

1. Insert the 90° Elbow (4") into the end of the exhaust duct on the rear panel in the correct direction.

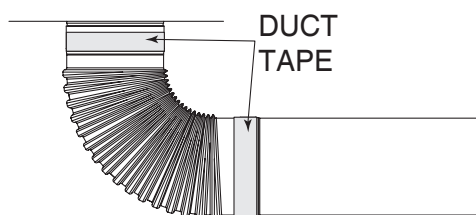
\* Duct materials are not supplied with unit.



2. Connect the straight exhaust duct into the end of the 90° Elbow (4").



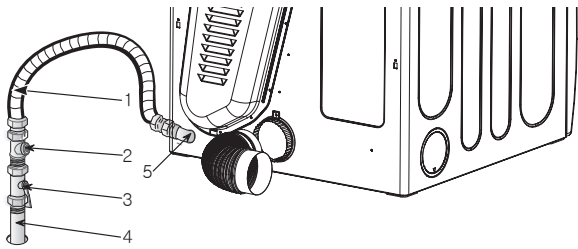
3. Push the 90° elbow and the extension duct in place after aligning holes correctly and tape every connection.



# Installation Instructions

## Step 3. Connection of gas supply

(Gas dryer only). In addition to the following, please refer to manual section on Gas Requirements and Instructions.



1. New stainless steel flexible connector. Use this type of connector only if allowed by local codes. Use design AGA certified connector (CGA in Canada).
2. 1/8" NPT pipe plug (for checking inlet gas pressure)
3. Equipment shut-off valve, Installed within 6' (1.8 m) of dryer
4. Iron Pipe: Shorter than 20' (6.1 m), use 3/8" pipe. Longer than 20' (6.1 m), use 1/2" pipe.
5. 3/8" N.P.T. gas connection

### Note!

Make sure the burner nozzle is proper for the type of gas you are provided with. For instance, using LPG with LNG nozzle will result in death, fire or explosion. Or using LNG with LPG nozzle will not ignite burner. If needed, nozzle conversion should be done by a qualified service technician. Mark or label the dryer with the current type of nozzle on the dryer.

1. Confirm that the type of gas available in your laundry room is appropriate for the dryer. The dryer is prepared for Natural Gas with a 3/8" NPT gas connection.

2. Remove the shipping cap from the gas connection at the back of the dryer. Make sure that you don't damage the threads of the gas connection pipe when you remove the shipping cap.
3. Connect the dryer to your laundry room's gas supply using a new flexible stainless steel connector (as noted below, only use a new stainless steel flexible connector if allowed by your local codes) using Pipe Joint Compound that is insoluble in gas for all gas line connection points.  
\*Do not use Teflon tape
4. Securely tighten all connections between the dryer and your laundry room's gas supply. Turn on your laundry room's gas supply and check all pipe connections (both internal and external) for gas leaks with a non-corrosive leak detection fluid. Refer to Part 7 (page 20)
5. For LP (Liquefied Petroleum) gas connection, refer to this manual's section entitled Gas Requirements and Instructions.

### Note!

#### Burner input requirements

If your house is located at the elevation up to 10,000 feet, the burner adjustment setting is not necessary. The A.G.A. certifies this dryer will not have any problem with the B.T.U rating at this altitude.

If your house is above 10,000 feet, you are required to adjust a four percent (4%) reduction of the burner B.T.U rating indicated on the model/serial rating plate.

# Installation Instructions

## Step 4. Electrical plug connections

### The following instructions apply to U.S. electrical dryer model:

The following steps are several warnings and instructions concerning making the electrical connection for electric dryers. More detailed information concerning the electrical connection is provided in the manual section entitled Electrical Requirements for Electric Dryer.

It is important that you thoroughly review that section and the remainder of this manual, before taking any steps to install or use this dryer.

1. Use only a new U.L. listed No. 10 (copper wire only) three or four conductor power supply cord kit rated 240 Volts (minimum) 30 amp and labeled as suitable for use in a dryer.
2. A four-wire cord is required for manufactured (mobile) home installations and where local codes do not allow grounding of this appliance through neutral.
3. Electrical Plug Connections. For additional instruction on connecting the dryer to an electrical power source, please refer to this manual's section on Electrical Requirements for an Electric Dryer.

#### Caution!



- Use a new U.L. listed 30 amp power supply cord.
- Use a U.L. approved strain relief.
- Disconnect power before making electrical connections.
- Connect the neutral wire (white or center wire) to the center terminal.
- The ground wire (green or bare wire) must be connected to green ground connector.

- Securely tighten all electrical connections
- See the installation instructions for complete instructions.
- Failure to do so may result in fire or electrical shock.

## Step 5. Preparation of the dryer

Prior to the first use of this appliance, use all purpose cleaning products or a solution of detergent and water, and a damp cloth to remove any dirt or dust that has accumulated inside the dryer.

Plug-in your dryer after reviewing the following parts on your dryer's Electrical Requirements.

## Step 6. Confirming heat source operation

### Gas Dryers:

Close the door to the dryer drum/drying compartment. After completing all steps in this manual for proper installation, start the dryer on a heated dry setting. After the dryer starts, the igniter will glow red and the main burner will ignite.

#### Caution!



If all air is not purged from the gas line, the gas igniter may go off before the gas and the main burner have ignited. If this happens, the igniter will re-attempt gas ignition after approximately two minutes.

### Electric Dryers:

Close the door to the dryer drum/drying compartment. After completing all steps in this manual for proper installation, start the dryer on a heated dry setting. The exhaust air or the exhaust pipe should be warm after the dryer has been operating for three minutes.



# Installation Instructions

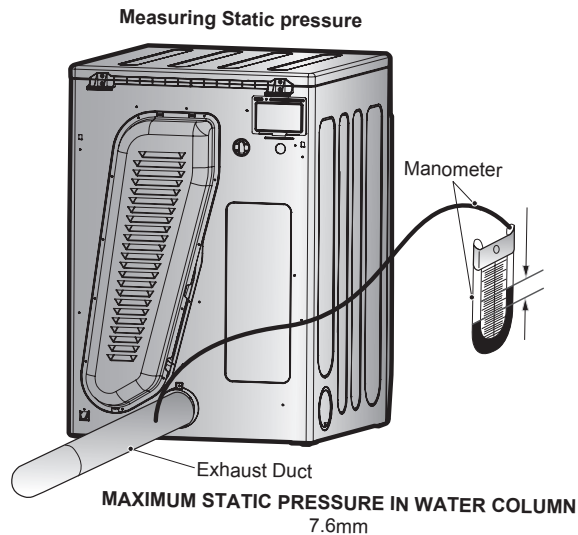
## Step 7. Dryer airflow

Effective dryer operation requires appropriate dryer airflow.

The adequacy of the airflow can be measured by evaluating the static pressure. Static pressure in the exhaust duct can be measured with a manometer, placed on the exhaust duct approximately 1 ft. (30.5 cm) from the final outlet.

Static pressure in the exhaust duct should not exceed 7.6 mm water column.

The dryer should be checked while the dryer is running with no load



## Step 8. Connecting the inlet water hose for steam features

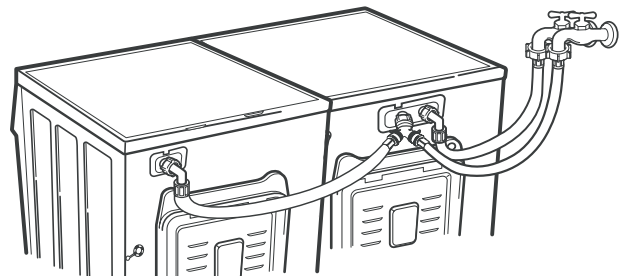
### Caution!



The dryer must be connected to the cold water faucet using the new inlet hose.

Do not use old hoses

Do not overtighten, as it may damage the coupling.



1. Before installing the dryer turn the cold water faucet off.
2. Attach the female end of the brass "Y" connector to the cold water valve on the washing machine.
3. Connect one of the cold water hoses to the cold water faucet and the "Y" connector.
4. Connect the straight end of the hose provided with the dryer to the other end of the "Y" connector.
5. Connect the angled end of the fill hose to the valve on the back of the dryer.
6. Tighten all connections by hand plus 2/3 of a turn with pliers.
7. Turn the water faucets on.
8. Check for leaks around the "Y" connector, faucets and hoses.

# Installation Instructions

## Step 9. Additional instructions for installation of your dryer in a manufactured or mobile home

The following instructions are applicable to installations of the dryer in a manufactured or mobile home. Any installation in a manufactured or mobile home must comply with the Manufactured Home Construction and Safety Standards Title 24 CFR, Part 32-80 or Standard CAN/CSA0Z240 MH and local codes and ordinances. If you are uncertain whether your proposed installation will comply with these standards. Please contact a service and installation professional for assistance. (Customer Care Center 1-800-898-1879 [www.askousa.com](http://www.askousa.com))

### The following instructions apply to any installation of the dryer in a manufactured or mobile home:

1. The electrical connection for an electric dryer must be a 4-wire connection. More detailed information concerning the electrical connection is provided in the manual section entitled electrical requirements for electric dryer
2. To reduce the risk of combustion and fire, the dryer must be vented to the outside.
3. Dryers must be vented to the outside.
4. The dryer exhaust duct must be affixed securely to the manufactured or mobile home structure, and the exhaust duct must be made of a material that will resist fire and combustion, and it is recommended that you use a rigid or flexible metal pipe.
5. Do not connect the exhaust duct with any other duct, vent, chimney, or other exhaust duct.
6. Make sure the dryer has adequate access to outside fresh air to ensure proper operation. The opening for outside fresh air must be at least 25"<sup>2</sup> (163 cm<sup>2</sup>).
7. It is important that the clearance of the duct from any combustible construction be at least 2 inches (5 cm). When venting the dryer to the outdoors, the dryer can be installed with a clearance of 1 inch at the sides and back of the dryer.
8. Please be aware that venting materials are not supplied with the dryer. You should obtain the venting materials necessary for proper installation.

### Caution!



Do not connect exhaust ducts with metal screws or fasteners that extend into the duct.

Do not vent the exhaust duct under the manufactured or mobile home.

# Installation Instructions

## Gas requirements

Following are some important instructions and informations concerning the requirements for the gas supply and service for gas dryers.

### Caution!



**The gas supply and service for a gas dryer must comply with all local codes and ordinances. In the absence of any local codes or ordinances in your area, the gas supply and service for your gas dryer must comply with the latest edition of the National Fuel Gas Code, ANSI Z223.1/NFPA 54 or with the CAN/CGA-B149 for Canada.**

1. Gas supply requirements: Liquefied petroleum (L.P.) gas (2,500 Btu/ft<sup>3</sup> (93.1 MJ/m<sup>3</sup>)) service must be provided at 10+1.5 in. water column pressure.
2. Do not attempt to connect dryer to liquefied petroleum (LP Gas) gas service without a qualified professional.
3. Isolate the dryer from the gas supply piping system by closing its individual manual shut-off valve, during any pressure testing of the gas supply system at test pressure equal to or less than .5 psi (3.45 kPa).
4. Supply Line Requirements. Your laundry room must have a rigid gas supply line to your dryer. In the United States, an individual manual shutoff valve must be installed within at least 6 feet (1.8m) of the dryer, in accordance with the National Fuel Gas Code ANSI Z223.1. A 1/8 in. N.P.T. pipe plug must be installed as shown in installation instruction page
5. If using a rigid pipe, the rigid pipe should be 1/2 inch IPS. If acceptable under local codes and ordinances and when acceptable to your gas supplier, 3/8 inch approved tubing may be used where lengths are less than 20 feet (6.1m). Larger tubing should be used for lengths in excess of 20 feet (6.1m). It is also important that you use pipe joint compound that is insoluble in LP gas.
6. To reduce the danger of gas leaks, explosion, and fire, please follow and observe the following instructions and cautions.

# Installation Instructions

## Gas connections

### Caution!



- Connect the dryer to the type of gas shown on the data plate.
- Use a new AGA or CSA approved gas supply line.
- Use new flexible stainless steel connectors.
- Install a shut-off valve.
- Use pipe joint compound insoluble in LP gas on all pipe threads.
- Do not use Teflon tape.
- Purge the gas supply of air and sediment before connecting the gas supply to the dryer; in order to prevent gas valve contamination. Before tightening the connection between the gas supply and the dryer, purge any remaining air until the odor of gas is identified.
- Do not use an open flame to inspect for gas leaks, instead use a non-corrosive leak detection fluid
- Do not attempt any disassembly of the dryer. Any disassembly requires the attention and tools of an authorized and qualified service person or company.
- Securely tighten all gas connections.
- If connected to LP, have a qualified person make sure the gas pressure does not exceed 13 in. water column.
- Examples of a qualified person include licensed heating personnel, authorized gas company personnel, and authorized service personnel.
- Gas leaks may occur in your system, creating a dangerous situation.
- Gas leaks may not be detected by smell alone.
- Gas suppliers recommend you purchase and install a UL-approved gas detector.
- Install and use your dryer in accordance with manufacturer's instructions. Failure to do so can result in death, explosion, or fire.

## Commonwealth of Massachusetts installation instructions

Your dryer must be installed by a licensed plumber or gas fitter.

A "T" handle manual gas valve must be installed in the gas supply line to your dryer. If a flexible gas connector is used to install your dryer, the connector must have a maximum length of 3' (36").

# Installation Instructions

## Electrical requirements for dryers

### Caution!



To help prevent fire, electric shock, serious injury or death, the wiring and grounding must conform to the latest edition of the National Electrical Code, ANSI/NFPA 70 (for the US) or the Canadian Electrical Code CSA C22.1 (for the Canada) and all applicable local regulations.

Please contact a qualified electrician to check your home's wiring and fuses to ensure that your home has adequate electrical power to operate the dryer.

## Grounding

- The dryer must be grounded. In the event of malfunction or breakdown, the ground will reduce the risk of electrical shock by providing a path of least resistance for electrical current.
- The dryer must be connected to a grounded metal, permanent wiring system or an equipment grounding conductor must be run with the circuit conductors and connected to the equipment-grounding terminal or lead on the dryer.
- The plug must be plugged into an appropriate outlet that is properly installed and grounded in accordance with all local codes and ordinances.

## Gas models

- Please note that the wiring diagram is provided inside the dryer control hood. Label all wires prior to disconnection when servicing the dryer. Wiring errors can cause serious injury to you and your dryer.
- Use separately fused circuits for washers and dryers, and do not operate a washer and a dryer on the same circuit.
- Your dryer has a cord with an equipment grounding conductor and a grounding

plug.

## Electric models

- If a power cord is not used and the electric dryer is to be permanently wired, the dryer must be connected to a permanent grounded metal wiring system, or an equipment grounding conductor must be run with the circuit conductors and connected to the equipment grounding terminal.

### Caution!



- Never connect ground wire to plastic plumbing lines, gas lines, or hot water pipes.
- Improper connection of the equipment grounding conductor can result in a risk of electric shock. Check with a qualified electrician or serviceman if you are in doubt as to whether your dryer is properly grounded.
- Do not modify the plug provided with your dryer – if it doesn't fit the outlet, have a proper outlet installed by a qualified electrician.
- If your laundry room does not meet the specifications required by this manual, or if you are uncertain whether or not your laundry room meets these specifications, please have a qualified service person or qualified service company review your laundry rooms electrical supply for any problems.

# Installation Instructions

## Electrical connections

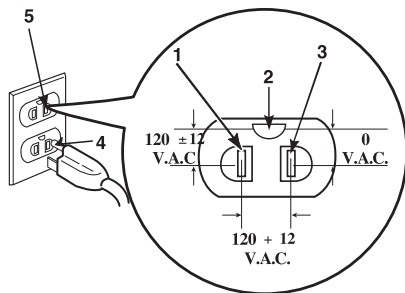
Before operating or testing, follow all grounding instructions in the Grounding section.

An individual branch (or separate) circuit serving only your dryer is recommended. Do not use an extension cord.

## Gas dryer – U.S. and Canada

A 120 volt, 60 Hz AC approved electrical service, with a 15 amp fuse or circuit breaker is required.

## Standard 120 volt, 60 hertz, 3-wire, Effectively grounded circuit



1. L1
2. Ground
3. Neutral Side
4. Round Grounding Prong
5. Neutral

## Electric dryer

- A 120/240 volt, 60 Hz AC approved electrical service fused through a 30 amp fuse or circuit breaker on both sides of the line is required.
- The electric service requirements can be found on the data label located behind the door.
- Do not connect dryer to 110, 115, or 120 volt circuit.

## US models

- The power cord is not provided with U.S. electric model dryers.
- The type of power cord (pigtail) and gauge of wire must conform to local codes and with instructions mentioned on the following pages.
- The dryer has its own terminal block that must be connected to a separate 60 Hertz single phase AC circuit, fused at 30 amp (the circuit must be fused on both sides of the line).
- You must select the method by which to wire your dryer according to local code and ordinance requirements. Sample methods are included in the following pages.

## Canadian models

- All Canadian models are shipped with the power cord attached.
- It is not permissible to convert a dryer in Canada to 208 volts.

## Note!

- Do not reuse a power supply cord from an old dryer.
- The power cord electric supply wiring must be retained at the dryer cabinet with a suitable UL-listed strain relief.

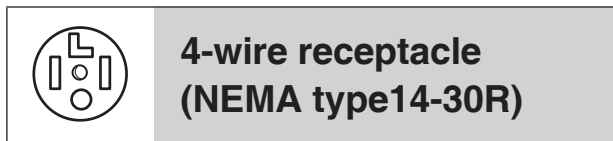
## Grounding through the neutral conductor is prohibited for

1. New branch-circuit installations,
2. Mobile homes
3. Recreational vehicles
4. Areas where local codes prohibit grounding through the neutral conductor. (Use 4-prong plug for 4 wire receptacle, NEMA type 14-30R.)

# Electrical Requirements

**Review the following options to determine the appropriate electrical connection for your Home:**

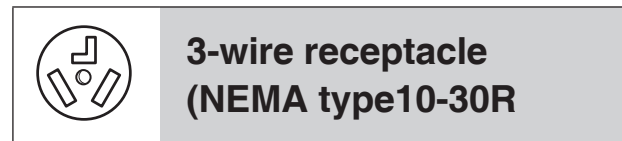
Use the instructions in this section if your home has a 4-wire receptacle (NEMA type 14-30R) and you will be using a U.L. listed, 120/240V 30amp, dryer power supply cord.



If this type is available at your home, you will be connecting to a fused disconnect or circuit breaker box.



Use the instructions in this section if your home has a 3-wire receptacle (NEMA type 10-30R) and you will be using a U.L. listed, 120/240V 30amp, dryer power supply cord.



If this type is available at your home, you will be connecting to a fused disconnect or circuit breaker box.



# Electrical Requirements

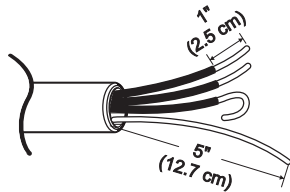
## 4-wire connection: Direct wire

### Caution!



Grounding through the neutral conductor is prohibited for

1. New branch-circuit installations.
2. Mobile homes.
3. Recreational vehicles
4. Areas where local codes prohibit grounding through the neutral conductor.



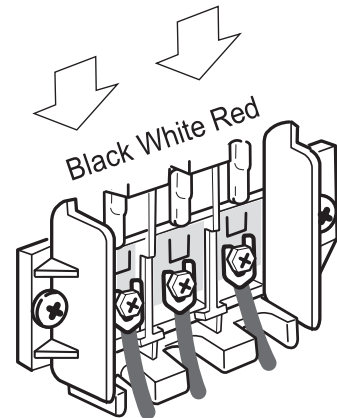
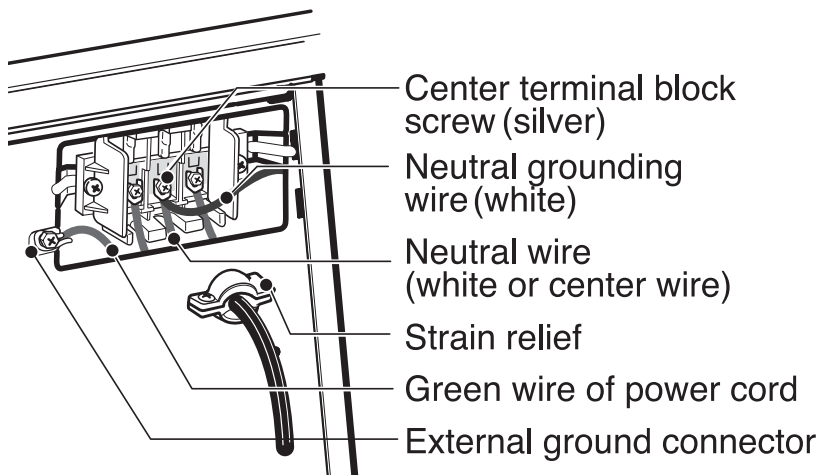
Prepare minimum 5 ft. (1.52 m) of length in order for dryer to be replaced.

First, peel 5" (12.7 cm) of covering material from end. Strip 5 inches of ground wire insulation. After cutting 1 1/2" (3.8 cm) from 3 other wires peel insulation back 1" (2.5 cm). Make ends of 3 wires a hook shape.

Then, put the hooked shape end of the wire under the screw of the terminal block (hooked end facing rightward) and pinch the hook together and tighten the screw securely.

1. Connect neutral wire (white) of the power cord to the center terminal block screw.
2. Connect the red and black wires to the left and right terminal block screws.
3. Make sure that the strain relief screw is tightened.

Be sure that all terminal block nuts are on tight and power cord is in right position.





# Electrical Requirements

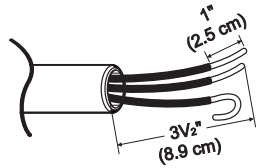
## 3-wire connection : Direct wire

### Caution!



Grounding through the neutral conductor is prohibited for

1. New branch-circuit installations
2. Mobile homes.
3. Recreational vehicles.
4. Areas where local codes prohibit grounding through the neutral conductor.

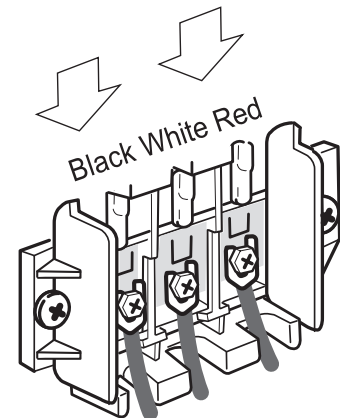
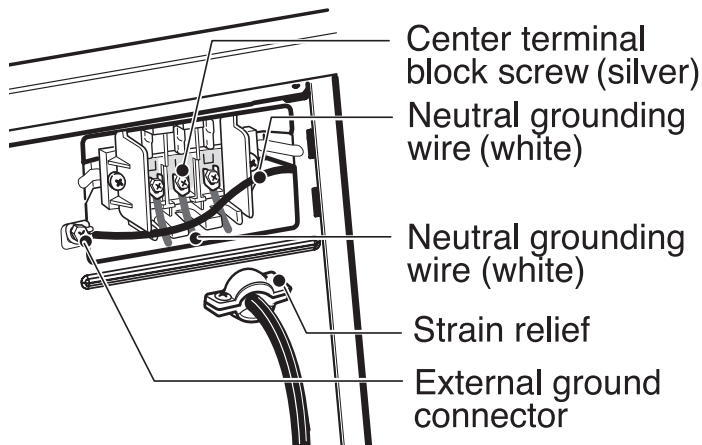


Prepare minimum 5 ft. (1.52 m) of length in order for dryer to be replaced.  
First, strip 3 1/2" (8.9 cm) of outer sheath from end and strip 1" of insulation from each conductor.

Then, put the hooked shape end of the wire under the screw of the terminal block (hooked end facing rightward) and pinch the hook together and tighten the screw securely.

1. Connect the neutral wire (white) of power cord to the center terminal block screw.
2. Connect the red and black wires to the left and right terminal block screws.
3. Make sure that the strain relief screw is tightened.

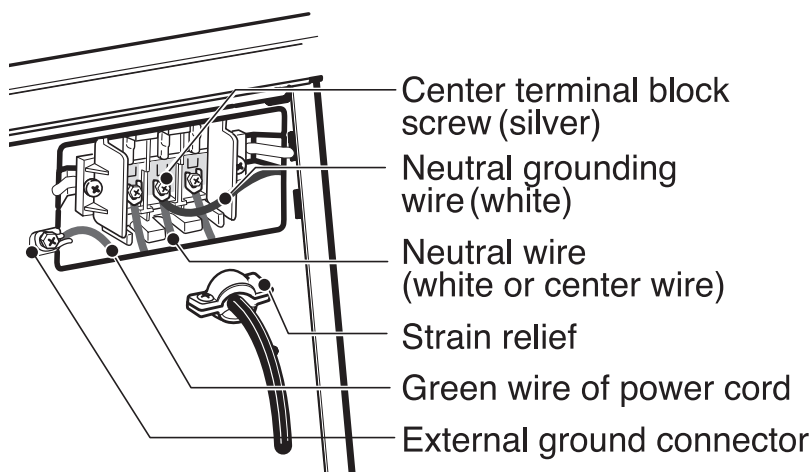
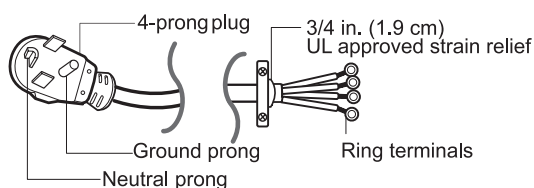
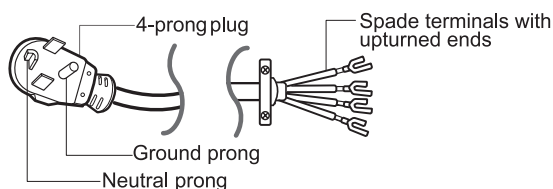
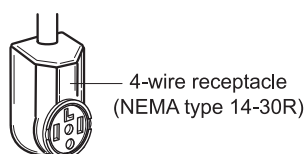
Be sure that all terminal block nuts are on tight and power cord is in right position.



# Electrical Requirements

## Option 1: 4-wire connection with a power supply cord

- If your local codes or ordinances do not allow the use of a 3-wire connection, or you are installing your dryer in a mobile home, you must use a 4-wire connection.



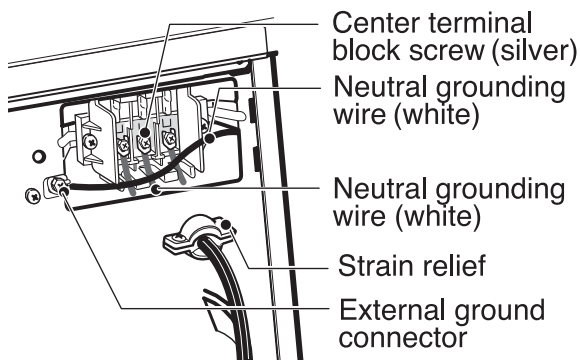
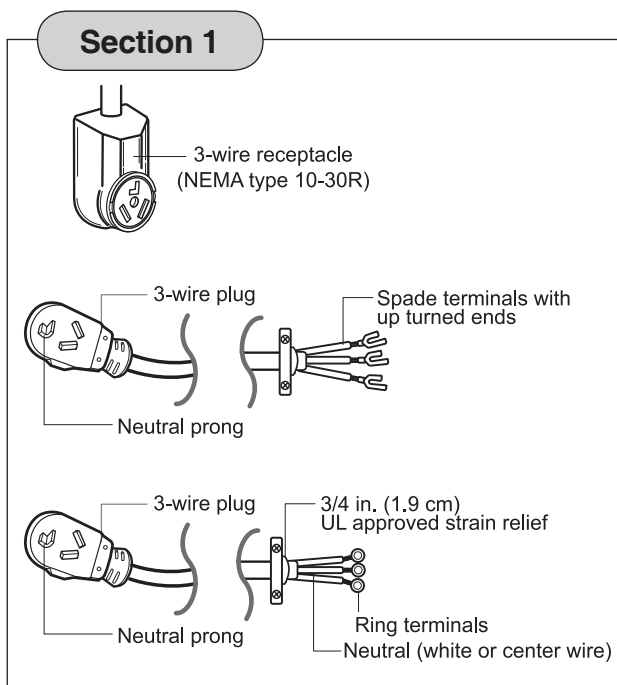
1. Connect the neutral wire (white) of power cord to the center terminal block screw.
2. Connect the red and black wires to the left and right terminal block screws.
3. Connect the ground wire (green) of power cord to external ground screw and move the neutral ground wire of appliance and connect it to the center screw.
4. Make sure that the strain relief screw is tightened.

Be sure that all terminal block nuts are on tight and power cord is in right position.

# Electrical Requirements

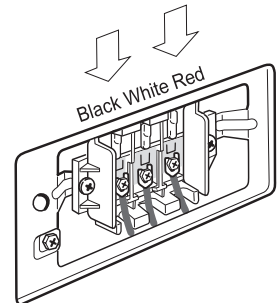
## Option 2: 3-Wire connection with a power supply cord

- If your local codes or ordinances permit the connection of a frame-grounding conductor to the neutral wire, use these instructions.
- If your local codes or ordinances do not allow the connection of a frame-grounding conductor to the neutral wire, use the instructions under Section 1: Optional 3- wire connection.

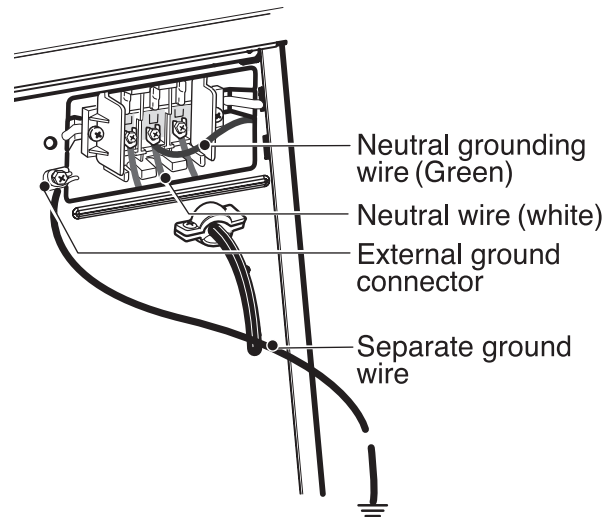


## Option 3: Optional 3-wire connection

- If your local codes or ordinances do not allow the connection of a frame-grounding conductor to the neutral wire, use the instructions under this section.



1. Connect the neutral wire (white) of power cord to the center terminal block screw.
2. Connect the ground wire of appliance and the neutral wire of power cord to the center terminal block screw.
3. Connect the red and black wires to the left and right terminal block screws.
4. Make sure the strain relief screw is tightened. Be sure that all terminal block nuts are on tight and the power cord is in right position.
5. Connect the independent ground wire from the external ground connector to proper ground.



# Exhaust Requirements

Following are important instructions and information concerning the exhaust requirements for your dryer.

## Caution!



To reduce the risk of fire, electric shock, or injury to person, read the IMPORTANT SAFETY INSTRUCTIONS before operating this appliance. To reduce the risk of fire, combustion, or accumulation of combustible gases, DO NOT exhaust dryer air into an enclosed and unventilated area, such as an attic, wall, ceiling, crawl space, chimney, gas vent, or concealed space of a building. To reduce the risk of fire, DO NOT exhaust the dryer with plastic or thin foil ducting

Weather Hood Type	Number of 90° Elbows	Maximum length of 4" (10.2 cm) diameter rigid metal duct	Maximum length of 4" (10.2 cm) diameter flexible metal duct
<p>Recommended</p> <p>4 (10.2 cm)</p>	0	65 feet (19.8 m)	45 feet (13.7 m)
	1	55 feet (16.8 m)	35 feet (10.7 m)
	2	47 feet (14.3 m)	30 feet (9.1 m)
	3	36 feet (11.0 m)	25 feet (7.6 m)
	4	28 feet (8.5 m)	20 feet (6.1 m)
<p>Use Only for Short Run Installations</p> <p>2-1/2 (6.35 cm)</p>	0	55 feet (16.8 m)	35 feet (10.7 m)
	1	47 feet (14.3 m)	27 feet (8.2 m)
	2	41 feet (12.5 m)	21 feet (6.4 m)
	3	30 feet (9.1 m)	17 feet (5.2 m)
	4	22 feet (6.7 m)	15 feet (4.5 m)

## Note!

Deduct 6 feet (1.8 m) for each additional elbow. It is not recommended to use more than (4) 90° elbows.

# User-Maintenance Instructions

## Exhaust requirements and instructions:

1. Venting materials are not provided with the dryer and you should obtain the necessary venting materials. For example, the outer end of exhaust pipe must have a weather hood with hinged dampers to prevent back draft when the dryer is not in use.
2. The exhaust duct must be four inches (10.2 cm) in diameter with no obstructions. The exhaust duct should be kept as short as possible. Make sure to clean any old ducts before installing your new dryer.
3. Rigid or semi-rigid metal ducting is recommended for use as transition ducting between the dryer and the wall. In special installations when it is impossible to make a connection with the above recommendations, a U.L.-listed flexible metal transition duct may be used between the dryer and wall connection only. The use of this ducting will affect dry time.
4. DO NOT use sheet metal screws on exhaust pipe joints or other fastening means which extend into the duct that could catch lint and reduce the efficiency of the exhaust system. Secure all joints with duct tape.
5. To maximize operating results, please observe the duct length limitations noted in the chart on page 44.
2. Before one year of use, when drying performance has become unsatisfactory, please examine and clean the exhaust duct for better drying performance.
3. Check the weather hoods frequently to ensure the dampers are moving freely, that the dampers are not pushed in and that nothing has been set against the dampers.
4. A qualified service person or company should be used to perform this maintenance.
5. A Flexible Metal Vent Kit, sold separately at home improvement stores, can be used to exhaust the dryer when it is placed in hard to reach location. This Kit comes in two pieces, one to attach to the dryer and the other to attach to the wall exhaust outlet. After attaching two separate pieces to the dryer and the wall, the dryer may be returned to its final position, after which the two pieces themselves can be connected.
6. Ordinarily, the dryer drum will need no care. Wipe the exterior of the dryer as required. Always wipe the exterior of the dryer in the event any detergent, bleach, or other washing products are spilled on the dryer.
7. Clean the control panel with a damp cloth as necessary. Warning: spray prewash products may damage the finish of the control panel.
8. Please clean the lint filter either before drying each load or after drying each load.
9. Always make sure the lint filter is clean before starting a new load, because a clogged lint filter may increase drying times.
10. Please note that the wiring diagram is provided inside the dryer control hood. Label all wires prior to disconnection when servicing the dryer, because wiring errors can cause serious injury to you and your dryer.

## Exhaust and dryer maintenance

### Caution!



Disconnect the dryer's electric power prior to any cleaning or maintenance.

1. After one year of use, the interior and complete exhaust system of the dryer should be examined and cleaned if necessary.

# User-Maintenance Instructions

## Cleaning the lint screen

1. Clean the lint filter once either before or after drying each load. Always make sure the lint filter is clean before starting a new load, because a clogged lint filter may increase drying times.
2. To clean, pull the lint screen straight up and roll any lint off the screen with your fingers. Push the lint screen firmly back into place.
3. Always ensure the lint screen is firmly secured before running the dryer. Running the dryer with a loose lint screen may cause overheating and damage to the dryer and articles being dried.
4. Some articles may shed more lint than others, causing the lint screen to fill rapidly. Remove lint from the lint screen before and after drying these articles, such as new towels.
5. In the event lint falls off of the lint screen and into the dryer during removal, inspect the exhaust hood and remove any lint.
6. Laundry detergent and fabric softener residue can build up on the lint screen, causing longer drying times. The screen is likely blocked if lint falls off the screen. In order to prevent this type of build up, and help ensure proper operation of your dryer, clean the lint screen with a nylon brush every six months or more frequently, if necessary. The lint filter can also be washed as follows:
  - a). After rolling the lint off of the screen with your fingers, wet both sides of the screen with hot or warm water.
  - b). Wet a nylon brush with hot water and liquid detergent and scrub the lint screen with the brush to remove the buildup of detergent and fabric softener.
  - c). After the residue has been removed, rinse screen with hot water.
  - d). After drying the lint screen with a clean towel, firmly replace the lint screen in your dryer.

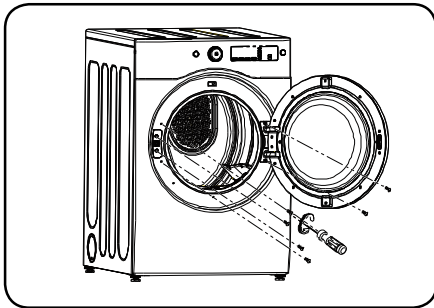
# Reversing The Door

## Door hanging

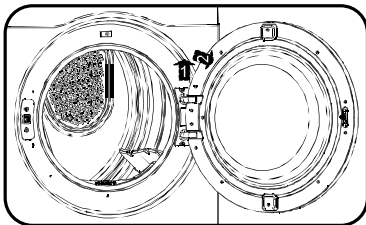
The tumble dryer comes with the door hinged on the right. However, it is possible to change the door to be hinged on the left.

### Following these instructions:

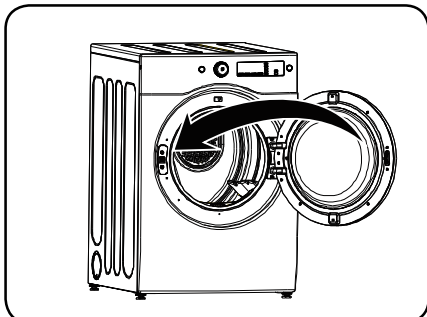
1. Open the door and remove the two bolts holding the hinge.
2. Then remove the door out of the front cabinet as indicated by the arrows.



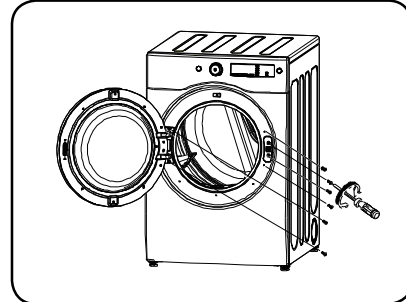
3. Unscrew the four screws on the door lock on the left side of the front cabinet and move to the right side.



4. Replace the screw you removed in step 3.
5. Next insert the hinge of the door securely in place of the left side of the front cabinet.



6. Secure the hinge using the bolts you removed in step 1.



# Technical Information

<b>Technical data</b>	
Dimension (inches)	27" (68.6 cm) x 32 (81.2 cm) x 40 3/8" (102.5 cm) x 52 (132 cm) W x D x H x Depth with door open
Unit Weight (lb.)	129 lb. (58.5 kg)
Cylinder volume:	7.3 cu.ft. (54.6 gal, 207 l)
Max. drying capacity:	22.9 lb. (10.4 kg)
Speed:	48 rpm
Rated power:	See the rating label regarding detailed information.
Drum material:	Stainless steel
Outer casing material:	Powder-coated and hot-galvanized sheet steel
Setup	Freestanding



# Service And Guarantee

## **Asko Appliances Inc. will not pay for:**

Service calls to:

1. Correct the installation of the appliance.
2. Repair damage due to shipment, delivery, installation, misuse or abuse.
3. Instruct how to use the appliance.
4. Replace house fuses or correct house wiring.
5. Correct house plumbing, including drainage problems related to improper installation.
6. Clean or service air device in drain line.
  - Repair and/or replacement parts for failure of product if appliance is used for other than home/residential use.
  - Damage resulting from accident, fire, floods, acts of God, alteration, misuse, abuse, improper installation, or installation not in accordance with local electrical or plumbing codes.
  - Any shipping costs for parts during the limited warranty period.
  - Replacement parts or repair labor costs for units operated outside the continental United States.
  - Pickup and delivery. ASKO washers are designed to be repaired in the home.

## **In no event shall Asko Appliances Inc. be responsible for any incidental or consequential damages.**

Some states will not allow the exclusion or limitation of incidental or consequential damages, so this exclusion or limitation may not apply to you. This warranty gives you specific legal rights and you may also have other rights which vary from state to state.

## **For warranty service, contact our Customer Care Center at the number listed below.**

Before calling for service or contacting Asko Appliances Inc. regarding a warranty issue, make a note of the model, type name, and serial number.

## **Write to us at:**

Asko Appliances Inc.  
P.O. Box 940609  
Plano, TX 75094-0609  
[www.askousa.com](http://www.askousa.com)

## **Or contact our**

Customer Care Center at  
1-800-898-1879  
[www.askousa.com](http://www.askousa.com)

# Service And Guarantee

It is important to register your product warranty by logging onto [www.askousa.com/customer-care/register-my-appliance/](http://www.askousa.com/customer-care/register-my-appliance/) and filling out all required fields within 90 days from the date of purchase. After doing so, you will be e-mailed a certificate that will extend the original warranty for one additional year.

If you do not have access to the internet, complete the warranty card included with the product and mail it to the address on the warranty card within 90 days of the date of purchase. Cosmetic damage must be reported to your dealer within five days from the date of purchase. After unpacking the washer, thoroughly check the unit for cosmetic damage.

<b>For residential installations only</b>	<b>Asko Appliances Inc. will pay for:</b>
Length of warranty: Two-Year full warranty from date of purchase.	ASKO replacement parts and/or repair labor to correct defect in materials or workmanship. Service must be provided by an authorized ASKO service agent.
Third year full Complete your product warranty registration online at <a href="http://www.askousa.com/customer-care/register-my-appliance/">www.askousa.com/customer-care/register-my-appliance/</a> within 90 days from the date of purchase to extend the original warranty one additional year. If you do not have access to the internet, complete the warranty card included with the product and mail it to the address on the warranty card within 90 days of the date of purchase.	ASKO replacement parts and/or repair labor to correct defect in materials or workmanship. Service must be performed by an authorized ASKO service agent.
Lifetime	ASKO replacement parts (labor cost not included) for the stainless steel tank if it exhibits a manufacturing defect such as cracking or rusting through. Service must be provided by an authorized ASKO service agent.
<b>For non-residential installations</b>	<b>Asko Appliances Inc. will pay for:</b>
Length of warranty: One-year full warranty from date of purchase	ASKO replacement parts and/or repair labor to correct defect in materials or workmanship. Service must be provided by an authorized ASKO service agent.

# Quick Guide

- 1 Sort your Fabrics**
  - Dry fabrics of the same type together to ensure they dry as evenly as possible.

- 2 Turn on the main power button**

- 3 Open the door, load the items and then close the door**

- 4 Select a program**
  - Select a program by turning the program selector.
  - Select any additional options.

- 5 Press the Start/Stop button**

- 6 Drying program finished**
  - The text “END” appears on the display when the program has ended. If you have selected the Anti-crease option, the drum will periodically rotate until you press the Power button, Start/Stop button, or open the door.
  - Clean the lint filter after each load.

- 7 Once tumble drying has finished**
  - Open the door and remove the laundry.
  - If you have children or small pets, close the dryer door.