

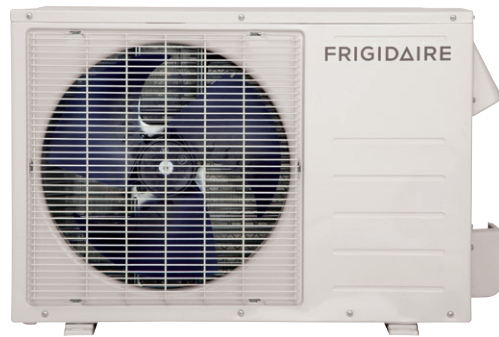
Home Comfort

FRS224YS2

Ductless Mini-Split Air Conditioner



FRS224YW2¹ Indoor



FRS224YC2¹ Outdoor

Product Dimensions Evaporator (Indoor) Model

Height	12-7/16"
Width	39-11/16"
Depth	8-7/8"

Product Dimensions Condenser (Outdoor) Model

Height	31-1/8"
Width	36-1/4"
Depth	14-5/8"

More Easy-To-Use Features

Energy and Cost Savings

A split system helps avoid the energy losses that normally come with ductwork. This loss can amount to up to 40% due to leaks, tears and long lengths.

Inverter Technology

Allows the unit to maintain room temperatures while operating at a lower and quieter speed.

Multi-Speed Fan

Features three different fan speeds, for more cooling flexibility.

Sleep Mode

Quiet operation keeps you cool without keeping you awake. Plus, Sleep Mode gradually increases room temperature after being activated.

Quickly Cools

Turbo Mode for that quick cool-down when you first turn it on

Comfort Control Design

Easily control the direction of your cool air, wherever your unit is.

Effortless™ Restart

Automatically resumes operating at its previous settings when power is restored to your unit.

24 Hour On/Off Timer



ENERGY STAR®

Performance	BTUs
Cool	21,500

¹Photo may not represent actual model.

Signature Features

Effortless™ Temperature Control

Our air conditioners maintain the preset room temperature, so you will remain comfortable at all times.

Ready-Select® Controls

Easily select options with the touch of a button.

Remote Control

Allows you to precisely control the temperature and fan speed from across the room.

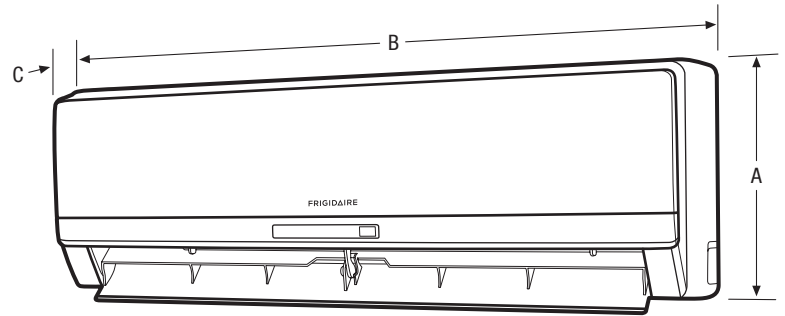
Effortless™ Clean Filter

Our anti-microbial filter cleans the air, removing harmful bacteria.

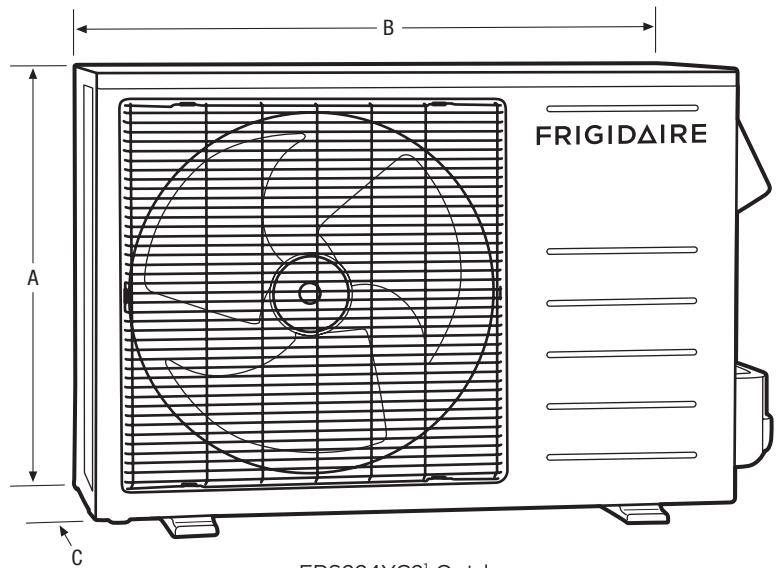
Model Numbers	
System Model Number	FRS224YS2
Indoor Unit Part Number	FRS224YW2
Outdoor Unit Part Number ¹	FRS224YC2
Performance	
BTU (Cool)	21,500
Cooling Area (Sq. Ft.)	1,430
SEER (Air Conditioner)	18
Inverter Technology	Yes
Electrical	
Volts	230 / 208
Amps (Cool) Indoor/Outdoor	0.5 / 7.9
Watts (Cool) Indoor/Outdoor	38 / 1,835 (320-2,530)
Fuse (Amps) Indoor/Outdoor	3.15 / 25
Features	
Controls	Ready-Select® Controls
Fan Speeds (Cool/Fan)	3 / 3
Low Voltage Start-Up	Yes
Turbo Fan	Yes
Auto Fan	Yes
Energy Saver	Yes
Sleep Mode	Yes
24 Hour On/Off Timer	Yes
Remote Control	Full-Function
Air CFM (High/Med/Low) Indoor	276 / 242 / 207
Air Direction Control (Vert./Horz.)	Yes / Yes
Air Discharge (Full-Width)	Bottom
Filter Type	Antimicrobial Mesh
Filter Access	Slide-Out
Air Direction Control - Horizontal	Manual
Air Direction Control - Vertical	Swing
dB (Indoor) (High/Med/Low)	44 / 40 / 35
dB (Outdoor)	56
Warranty ²	Yes
Included Accessories	
Drain Kit (Outdoor Unit)	Yes
Installation Plate (Indoor Unit)	Yes
Line Set (Indoor Unit)	Yes
Remote Holder (Indoor Unit)	Yes
Certifications	
ENERGY STAR®	Yes
Performance	ARI
Specifications	
Refrigerant	R410a
Shipping Weight (Approx.)	132

¹Includes 16.4 ft. line set.

²Warranty 5 year sealed system/1 year full parts and labor.



FRS224YW2¹ Indoor



FRS224YC2¹ Outdoor

NOTE: For planning purposes only. Always consult local and national electric codes. Refer to Product Installation Guide for detailed installation instructions on the web at frigidaire.com.



Product Dimensions	
Indoor -	
A - Height	12-7/16"
B - Width	39-11/16"
C - Depth	8-7/8"
Max. Wall Thickness	18"
Outdoor -	
A - Height	31-1/8"
B - Width	36-1/4"
C - Depth	14-5/8"

¹Illustration may not represent actual model.

All refrigeration and electrical work must be performed by a certified and licensed refrigeration technician for full parts and labor warranty validation. Insulated line sets and control wires are required and available for Frigidaire split systems in 16.4 ft. length. Each line set is equipped with flare nuts on both ends. Each system requires one line set for each indoor unit installed.

Accessories information available on the web at frigidaire.com

Ductless Mini-Split System Air Conditioners Servicer Technical Data Sheet

FRIGIDAIRE®

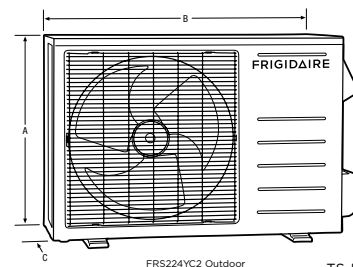
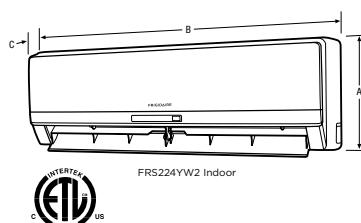
FRS224YS2

POWER	
Circuit Amps	14.0/12.8 A
Maximum Fuse Size	25 A
CAPACITIES	
Cooling	21500 Btu
Amps	9.05/8.19 A
Watts	1790 W
Min/Max Cooling	9600/25000 Btu
SEER	18
EER	12
Low Ambient Temperature	5° F ≤ T ≤ 115° F
Voltage/Frequency/Phase	208V\230V /60Hz/1P
Dehumidification	5.28PT/H
INDOOR UNIT	
Sound Rating	48/44/40/35dB (A)
Net Weight	35.27 lb
Shipping Weight	46.3 lb
Dimensions (H x W x D)	12.4" x 39.68" x 8.622"
Full Loaded Amps	0.47 A
Number of Fan Speeds	4
Fan Type	cross flow
RPM at High Speed)	1400 rpm
Motor Watts	35 W
Full Loaded Amps	0.45 A
Coil Type	aluminum fin & copper tube
Fin Type	window
Pipe Type	inner-wing
Fin Rows (FPI)	2
Tube Diameter	ϕ 7.15 mm (9/32")
Drain Connection Size	ϕ 16 mm (5/8")
FEATURES	
Controls	microprocessor
Remote Control	lcd wireless
Temperature Control	16-30° C
Timer	24 hr
Air Louvers	3 pieces
Horizontal	manual
Vertical	swing
Low Voltage Restart	built-in
Self-Diagnosis	yes
Quiet Operation	no
Air Filter	washable, anti-mold
COMPRESSOR	
	C-6RZ146H1A
Controls	twin rotary DC inverter
Remote Control	8.4 A
Temperature Control	41 A

REFRIGERANT SYSTEM	
Refrigerant	R410A
Ounces	63.49
Control	electric expansion valve
Lineset	16.4 ft
Maximum Height	49.2 ft
Maximum Line length	98.43 ft
Discharge Vapor Line (od)	ϕ 6 mm (1/4")
Suction (od)	ϕ 16 mm (5/8")
OUTDOOR UNIT	
Sound rating	≤ 56 dB (A)
Net Weight	119.04 lb
Shipping Weight	132.27 lb
Dimensions (H x W x D)	27.56" x 35.04" x 13.38"
Recommended Fuse	25 A
Minimum Amps	14 A
Running Current	14.0/12.8 A
Fan Type	Axial
Fan Diameter/Number of Speeds	20.47"-2
Drive Type	dc motor
Motor Watts	90 W
Number of Poles and RPM	2-780/500 rpm
CFM (High)	2500
Coil Type	aluminum fin & copper tube
Fin Type	flat
Pipe Type	innergroove copper
Fin Rows (FPI)	2
Tube Size	ϕ 7.15 mm (9/32")
OPERATING RANGE	
	Indoor Air
	intake temp
Cooling	90° F db/wb 41° F db/wb
Heating	81° F db/wb 32° F db/wb
	Outdoor Air
	intake temp
Cooling	115° F db/wb 41° F db/wb
Heating	75° F db/wb 5° F db/wb

PRODUCT DIMENSIONS

Indoor -	
A - Height	12-7/16"
B - Width	39-11/16"
C - Depth	8-7/8"
Max. Wall Thickness	18"
Outdoor -	
A - Height	31-1/8"
B - Width	36-1/4"
C - Depth	14-5/8"



Ductless Mini-Split System Air Conditioners Submittal Sheet

FRIGIDAIRE®

FRS224YS2

Job: _____ Reference: _____ Construction: _____
 Location: _____ Approval: _____ Unit Number: _____
 Engineer: _____ Date: _____ Drawing Number: _____
 Submitted to: _____ Submitted by: _____

POWER	
Circuit Amps	14.0/12.8 A
Maximum Fuse Size	25 A
CAPACITIES	
Cooling	21500 Btu
Amps	9.05/8.19 A
Watts	1790 W
Min/Max Cooling	9600/25000 Btu
SEER	18
EER	12
Low Ambient Temperature	5° F ≤ T ≤ 115° F
Voltage/Frequency/Phase	208V\230V /60Hz/1P
Dehumidification	5.28PT/H
INDOOR UNIT	
Sound Rating	48/44/40/35dB (A) B60
Net Weight	35.27 lb
Shipping Weight	46.3 lb
Dimensions (H x W x D)	12.4" x 39.68" x 8.622"
Full Loaded Amps	0.47 A
Number of Fan Speeds	4
Fan Type	cross flow
Motor Watts	35 W
Full Loaded Amps	0.45 A
COMPRESSOR	
Type	C-6RZ146H1A
Type	twin rotary DC inverter
Amps	8.4 A
Locked Rotor Amps	41 A

OUTDOOR UNIT	
Sound Rating	≤ 56 dB (A)
Net Weight	119.04 lb
Shipping Weight	132.27 lb
Dimensions (H x W x D)	27.56" x 35.04" x 13.38"
Recommended Fuse	25 A
Minimum Amps	14 A
Running Current	14.0/12.8 A
Drive Type	dc motor
Motor Watts	90 W
CFM (high)	2500
FEATURES	
Controls	microprocessor
Remote Control	lcd wireless
Temperature control	16-30° C
Timer	24 hr
Air Louvers	3 pieces
Horizontal	manual
Vertical	swing
Low Voltage Restart	built-in
Self-Diagnosis	yes
Quiet Operation	no
Air Filter	washable, anti-mold
REFRIGERANT SYSTEM	
Refrigerant	R410A
Ounces	63.49
Lineset	16.4 ft
Maximum Height	49.2 ft
Maximum Line length	98.43 ft
Discharge Vapor Line (od)	Φ 6 mm (1/4")
Suction (od)	Φ 16 mm (5/8")

PRODUCT DIMENSIONS	
Indoor -	
A - Height	12-7/16"
B - Width	39-11/16"
C - Depth	8-7/8"
Max. Wall Thickness	18"
Outdoor -	
A - Height	31-1/8"
B - Width	36-1/4"
C - Depth	14-5/8"

