



Home Comfort

FFRH1222Q2

Compact Slide-Out Chassis Air Conditioner/Heater



Signature Features

Effortless™ Temperature Control

Our air conditioners maintain the preset room temperature, so you will remain comfortable at all times.

Programmable 24-Hour On/Off Timer

With the 24-Hour On/Off Timer, you can ensure your home will be cool and comfortable when you want it to be without having to worry about running up your utility bills. The built-in timer allows you to preset the unit to turn on and off in half-hour increments.

Energy Saver Mode

Reduce your utility bills in this mode. It cools similarly to central air, with the unit turning on and off at different intervals to ensure the room temperature stays at the set temperature.

Multi-Speed Fan

Features three different fan speeds, for more cooling flexibility.

Product Dimensions

Height	15-3/8"
Width	22-5/8"
Depth	23-5/16"

More Easy-To-Use Features

Supplemental Heating Option

With our supplemental heating capability, you can be comfortable regardless of the temperature outside — you have both heating and cooling solutions!

Sleep Mode

With Sleep Mode, the temperature gradually increases a few degrees over the evening, saving energy and creating a comfortable environment during the evening hours.

Remote Control

Offers you the flexibility to control the temperature and fan speed from anywhere in the room.

Effortless™ Clean Filter

Our antibacterial filter reduces bacteria, room odors and other airborne particles for a healthier, more comfortable environment.

Easier Installation

With the slide-out chassis, you have an easier solution to installing your air conditioner. First install the outer cabinet of the AC in the window, then slide the interior of the air conditioner into place.

SpaceWise® Adjustable Side Panels

With the Adjustable Side Panels, the side panels will extend to best fit your window.

Power Cord

Comes with an extra long three-prong cord — makes extension cords unnecessary.

Effortless™ Restart

Automatically resumes operating at its previous settings when power is restored to your unit.

Clean Filter Alert

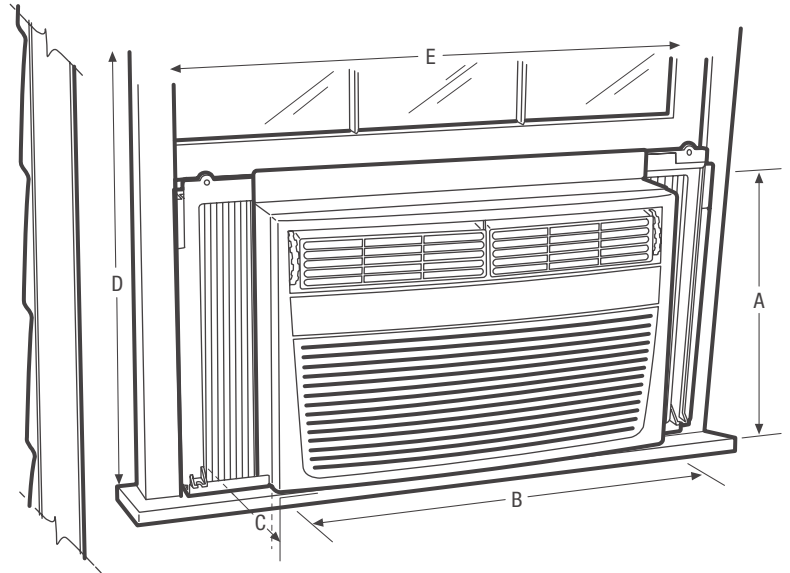
Alert notifies you when your filter needs to be cleaned so you don't have to keep track of it yourself.

Ready-Select® Controls

Easily select options with the touch of a button.

Performance	BTUs
Cool	12,000 / 11,600
Heat	11,000 / 8,500

Performance	
BTU (Cool)	12,000/11,600
BTU (Heat)	11,000/8,500
Dehumidification (Pints/Hour)	2.0
Cool Area (Up To Sq. Ft.)	550
Energy Efficiency Ratio	9.8
Electrical	
Volts	230/208
Amps (Cool)	5.5/5.5
Amps (Heat)	15.0/13.5
Watts (Cool)	1,220/1,170
Watts (Heat)	3,500/2,800
Length of Power Cord (Min./Max.)	5.5'/6'
Plug Type (NEMA)	LCDI (6-20P)
Features	
Electronic Controls	Ready-Select® Controls
Fan Speeds (Cool/Fan/Heat)	3/3/3
Low Voltage Start-Up	Yes
Auto Cool Function	Yes
Energy Saver Mode	Yes
Sleep Mode	Yes
Filter Check	Yes
24-Hour On/Off Timer	Yes
Clean Air Ionizer	
Remote Control	Full-Function with Heat
Air CFM (High/Med/Low)	266/240/218
Air Direction Control	8-Way
Fresh Air/Exhaust Vent/Closed	No/No/Yes
Filter Type	Antibacterial Mesh
Filter Access	Tilt-Out
Slide-Out Chassis	Yes
Window Mounting Kit (Included)	Pleated Quick Mount
Warranty ¹	Yes
Certifications	
Performance	AHAM
Specifications	
Refrigerant	R410a
Shipping Weight (Approx.)	96 Lbs.



¹Warranty 5 year sealed system/1 year full parts and labor.



Plug Type (NEMA)
6-20P

NOTE: For planning purposes only. Always consult local and national electric codes. Refer to Product Installation Guide for detailed installation instructions on the web at frigidaire.com.



Product Dimensions	
A - Height	15-3/8"
B - Width	22-5/8"
C - Depth	23-5/16"

Window Dimensions	
D - Height (Min.)	16-1/2"
E - Width (Min./Max.)	26-7/8" / 36"
Wall Cutout Dimensions	
Height	16-1/8"
Width	23-3/16"
Max. Wall Thickness	6-1/8"

Accessories information available on the web at frigidaire.com