

FRIGIDAIRE

GALLERY.



Dishwashers

FGCD2456Q F/W/B

24" Built-In



Product Dimensions

Height (Adjustable)	33-7/8" - 34-7/8"
Width	23-3/4"
Depth (Including Door)	24-5/8"

More Easy-To-Use Features

2 Cup Shelves with Stemware Grips

Adjustable Upper Rack

5 Level Wash

5 Cycles

Digital Countdown

Slimline with Display

Stainless Tub

51 dBA

ENERGY STAR®

NSF® International Certification



Signature Features



BladeSpray™ Wash Spray Arm

4 times better water coverage¹ for an excellent clean with our BladeSpray™ washing system.



Quick Wash² 30-Minute Wash

Washes a full load of dishes in a quarter of the time! Perfect solution for those times when you need clean dishes quickly, but have a million things to do.



EffortlessDry™ System

Move your dishes straight to your cabinets with our EffortlessDry™ system. Towel drying becomes a thing of the past.



Smudge-Proof™ Stainless Steel³

Resists fingerprints and smudges so it's easy to clean..

Available in:



Stainless (F)



White (W)



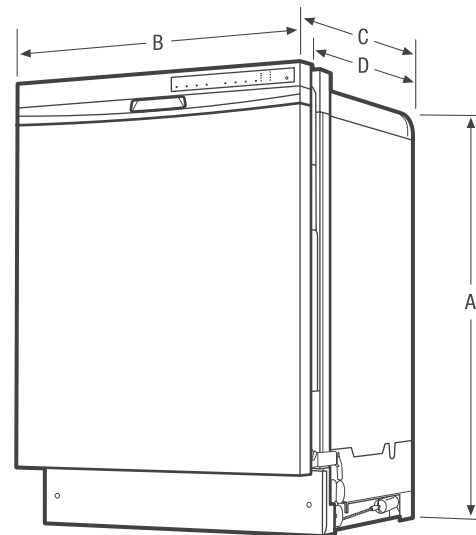
Black (B)

¹Than a traditional lower spray arm.

²30 or 34 minutes depending on model, based on normal cycle.

³Select model only.

Features	
Control Design	Slimline Express-Select®
Digital Display	Yes
Door Latch/Stay-Put Door Hinge Design	Yes/Yes
Low Rinse-Aid Indicator Light	
Interior Design/Interior Color	Tall Tub/Stainless Steel
Wash System	BladeSpray™
Wash Levels/Wash Speeds	5/5
DishSense™ Technology	Yes
AquaSurge™ Technology	
Sound Package	SilentDesign™
Filter/Filter Trap	S. Steel/Removable
Soft Food Disposer	Yes
dB Level	51
Drying System	EffortlessDry™
Cycles	
Number of Cycles	5
PowerPlus® (Heavy)	Yes
Normal	Yes
Light	
Quick	Yes
Favorite	
China Crystal	
Rinse Only	Yes
Energy Saver Plus	Yes
Upper Rack Wash Only	
Cycle Indicator Light/Control Lock	Yes/Yes
Options	
Heat/No Heat Dry	Yes
Hi-Temp Wash	Yes
NSF® Certified Sanitize Rinse	
Delay Start	1-24 Hour
Rack System	
Rack Design	Premium
Rack Coating	Nylon TufRacks™
Upper Rack -	
Rack Handles	Yes
Stemware/Champagne Glass Holders	Yes
Fold-Down Tines	Yes
Cup Shelves	2
Utensil Tray	
Adjustable Rack Height	Yes
Lower Rack -	
SpaceWise® Silverware Basket	3-Piece Split
Fold-Down Tines	2 Full Rows
Small Items Cover	2
Adjustable Rack Height	Yes
Certifications	
ENERGY STAR®	Yes
NSF® International Certification	Yes
Specifications	
Water Inlet Location	Left Bottom Front
Water Usage (Gallons)	4.0 - 8.0
Water Pressure (PSI)	15 - 120
Integral Air Gap on Supply	Yes
Leveling Legs	4
Power Supply Connection Location	Right Bottom Front
Voltage Rating	120V / 60 Hz / 15A
Connected Load (kW Rating) @ 120 Volts¹	1.44
Amps @ 120 Volts	15
Shipping Weight (Approx.)	91 Lbs.



NOTE: For planning purposes only. Always consult local and national electric and plumbing codes. Refer to Product Installation Guide for detailed installation instructions on the web at frigidaire.com.



Product Dimensions	
A - Height (Adjustable)	33-7/8" - 34-7/8"
B - Width	23-3/4"
C - Depth (Including Door)	24-5/8"
D - Depth (To Tub Flange)	23"
Depth with Door Open 90°	49-7/8"

Cutout Dimensions	
Height (Min.)	35"
Height (Max.)	35-1/4"
Width (Min.)	24"
Depth (Min.)	24"

¹ For use on adequately wired 120V, dedicated circuit having 2-wire service with a separate ground wire. Appliance must be grounded for safe operation.

Accessories information available on the web at frigidaire.com

FRIGIDAIRE

USA • 10200 David Taylor Drive • Charlotte, NC 28262 • 1-800-FRIGIDAIRE • frigidaire.com
 CANADA • 5855 Terry Fox Way • Mississauga, ON L5V 3E4 • 1-800-265-8352 • frigidaire.ca

FGCD2456Q 01/14

© 2014 Electrolux Home Products, Inc.

Specifications subject to change.