



# DV50F9A6GVW

## Samsung Top Load Gas Dryer

### FEATURES

- Steam Drying technology
- 7.4 capacity (cu. ft./DOE)
- Smart Care
- Moisture Sensor
- Stainless steel drum
- 3-way venting (4-way in electric dryer)
- 13 preset dry cycles and 9 options
- Vent Blockage Test
- Heating element: 5300W/22,000 BTU/hr
- LED display: Ice Blue

### CONVENIENCE

- Reversible see-through door
- Dryer drum light
- Drying rack
- Child lock
- Lint filter indicator
- 5 dry levels
- 5 temperature settings
- 5 timed settings
- 2 signal level settings



### SIGNATURE FEATURES

#### Steam Drying technology

Steam Refresh helps remove odors and freshens clothes. Steam Wrinkle Away relaxes wrinkles to reduce ironing.

#### Smart Care

Diagnoses error codes without a manual or phone call.

#### Drying Rack – Tumble-free Drying

Our drying rack helps minimize noise and protects special care items like sneakers, sweaters and stuffed animals.

#### Peace of mind with NSF®-certified steam sanitize cycle

Samsung's NSF®-certified dryers eliminate 99.9% of household bacteria from laundry.



Ranked **“Highest in Customer Satisfaction with Clothes Dryers”** by J.D. Power and Associates.\* (5 Consecutive Years)

### Available color



Neat White

\* Samsung received the highest numerical score for clothes dryers in the proprietary J.D. Power and Associates 2008-2012 Laundry Appliance Studies™ 2012 study based on 9,339 total responses measuring 12 brands and measures opinions of consumers about their dryer obtained new in the past 24 months. Proprietary study results are based on experiences and perceptions of consumers surveyed in January-February 2012. Your experiences may vary. Visit [jdpower.com](http://jdpower.com).

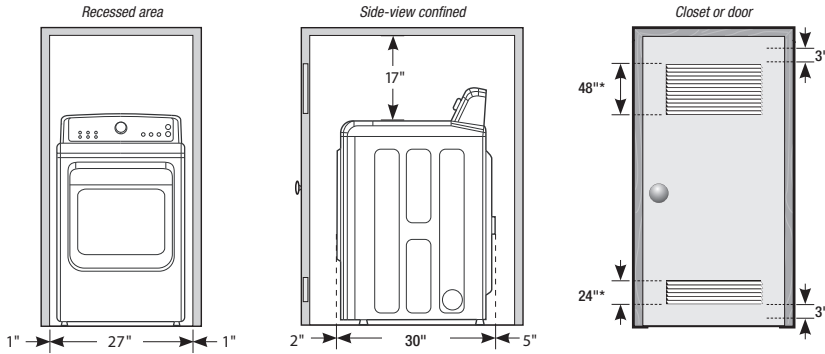


# DV50F9A6GVW

## Samsung Top Load Gas Dryer

### INSTALLING YOUR DRYER

#### Alcove or closet installation



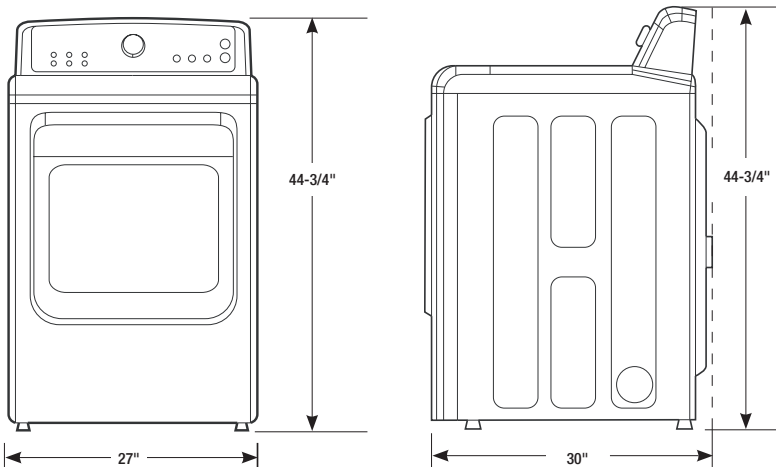
#### Minimum clearances for closets and alcoves:

- Sides – 1"
- Top – 17"
- Rear – 5"
- Closet front – 2"

If the washer and dryer are installed together, the closet front must have at least a 72 in (465 cm) unobstructed air opening. Your washer alone does not require a specific air opening.

\* Required spacing.  
(External exhaust elbow requires additional space)

#### Dimensions:



7.4 capacity (cu. ft./DOE)

Stainless steel drum

3-way venting (4-way in electric dryer)

#### 13 preset dry cycles:

Refresh, Wrinkle Away, Normal, Heavy Duty, Towels, Permanent Press, Bedding, Delicates, Jeans, Sanitize, Time Dry, Air Fluff, Quick Dry

#### 9 options:

Mixed Load Bell, Wrinkle Prevent, Rack Dry, Adjust Time, My Cycle, Child Lock, Signal On/Off, Anti Static, Drum Light

#### 5 dry levels:

Very Dry, More Dry, Normal Dry, Less Dry, Damp Dry

#### 5 temperature settings:

High, Medium, Medium Low, Low, Extra Low

#### 5 timed settings:

60 min., 50 min., 40 min., 30 min., 20 min.

#### 2 signal level settings: On/Off

#### Warranty

One (1) Year Parts and Labor

Two (2) Years Control Board

#### Product dimensions & weight (WxHxD)

Dimensions: 27" x 44<sup>3</sup>/<sub>4</sub>" x 30"

Weight: 128.2 lbs.

#### Shipping dimensions & weight (WxHxD)

Dimensions: 29<sup>1</sup>/<sub>2</sub>" x 47" x 31<sup>1</sup>/<sub>8</sub>"

Weight: 139.6 lbs.

#### Electric/Gas Model # UPC Code

Neat White	DV50F9A6EVW	887276018676
Neat White	DV50F9A6GVW	887276018683

#### Matching Washer

Neat White	WA50F9A6DSW	887276018232
------------	-------------	--------------