

NE595R0AB

5.9 cu. ft. Freestanding Electric Range

Features

- Five Electric Cooktop Elements
 - Two Dual Burner (6"/9" and 9"/12")
 - Two Single Burners (6")
 - Warming Center (6")
- True Convection Oven (one fan)
- Large Oven Capacity – 5.9 cu. ft.
- SteamQuick™ – (20 min. Oven Cleaning) and Self Clean
- Four Preset Menu Cook Options

Convenience

- Hot Surface Indicator Light
- Auto Oven Light (2)
- Proofing
- Sabbath Mode
- Kitchen Timer
- Delay Start
- Child Safety Lock
- Self-Clean (2 / 3 / 4 hrs.)
- 4 Easy Cook Pre-Sets
- Custom Cook
- Defrost
- 2 Chrome Oven Racks



Easy to use cook top features five fast heating electric burners.



Controls at your fingertips with an easy to read LED display.



Generous 5.9 cu. ft. cavity makes it easy to prepare large meals.

Signature Features

Available Colors



True Convection*

One-Fan True Convection ensures even and faster cooking by circulating heated air throughout the oven*.

Large Capacity

Our extra-spacious 5.9 cu. ft. large capacity oven easily handles turkey roasters and large baking sheets.

Five Burner Cooktop

Boil water, simmer sauce or melt chocolate – there’s a burner for your needs*.

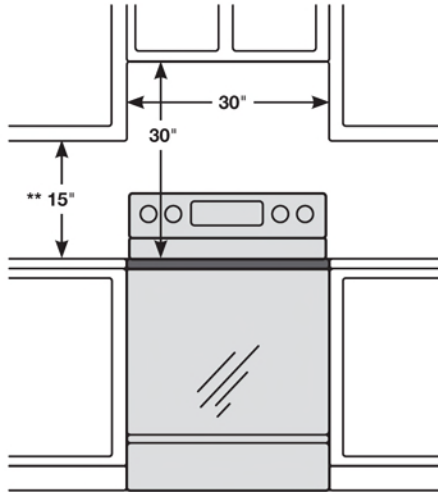
NE595R0AB

5.9 cu. ft. Freestanding Electric Range

Installing your Range

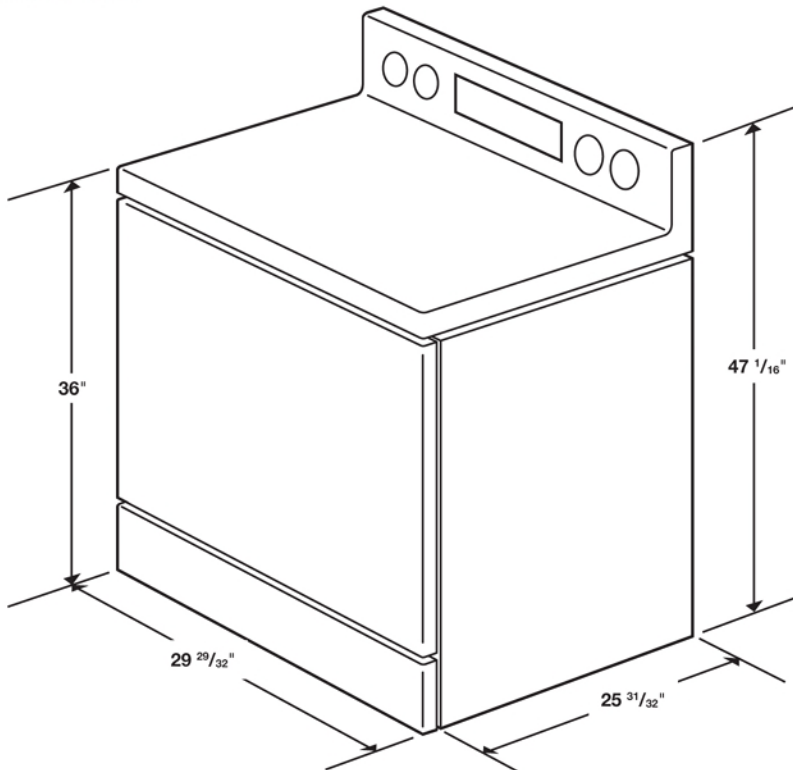
* 30" minimum clearance between the top of the cooking surface and the bottom of an unprotected wood or metal cabinet; or 24" minimum when the bottom of the wood or metal cabinet is protected by not less than 1/4" flame retardant millboard covered with not less than no.28 MSG sheet steel, 0.015" stainless steel, 0.024" aluminum or 0.020" copper.

** 15" minimum between the countertop and the adjacent cabinet bottom.



IMPORTANT: To eliminate the risk of burns or fire caused by reaching over heated surface units, cabinet storage space located above the surface units should be avoided. If cabinet storage is to be provided, the risk can be reduced by installing a range hood that projects horizontally a minimum of 5" beyond the bottom of the cabinets.

Dimensions



Power Consumption

13,750 W / 57.5 Amperes

Power Source

240 V / 60 Hz

Ceramic Cooktop

- Right Front: 9 / 12", 3.0 KW – Fast Boil
- Left Front: Radiant 6 / 9", 3.0 KW – Fast Boil
- Right Rear: Radiant 6", 1.2 KW
- Left Rear: Radiant 6", 1.2 KW
- Center Rear: Warming Center, 100 W

Oven

- Convection Bake: 150°F - 550°F
- Convection Roast: 150°F - 550°F
- Variable Broil: Low 375°F - High 450°F
- Broil: Low / Hi (375°F / 450°F)
- Proofing
- Sabbath Mode

Warranty

One (1) Year All Parts and Labor
Five (5) Years Electric Cooktop

Product Dimensions + Weight

Actual Oven Dimensions

(WxHxD) 25" x 20 25/32" x 18 15/16"

Outside Net Dimensions:

(WxHxD) 29 29/32" x 47 1/16" x 25 31/32"

Weight: 155 lbs / 70.3 kg

Shipping Dimensions + Weight

Dimensions: (WxHxD) 32 7/8" x 50 13/32" x 30 1/8"

Weight: 181 lbs / 82.1 kg

Color	Model #	UPC Code
Stainless Steel	NE595R0ABSR	036725570733
White	NE595R0ABWW	036725570740
Black	NE595R0ABBB	036725570757