

# STANDARD-DEPTH BOTTOM-FREEZER REFRIGERATOR

PRELIMINARY



Monochromatic Stainless Steel  
KBWS22KCMS

## EXTENDFRESH™ TEMPERATURE MANAGEMENT SYSTEM

Sensors in the refrigerator and freezer help maintain temperatures to within one degree. This helps ensure fresh ingredients remain at the appropriate temperature for optimum taste and texture.

## REVERSIBLE DOOR SWING

Creates versatile installation options by allowing the refrigerator door to be adjusted to open from either the right or left side.

## PRODUCE PRESERVER

An ethylene-absorption cartridge that helps extend the freshness of produce\*. It helps to neutralize the effects caused by the ethylene gas that is naturally emitted by certain fruits and vegetables.

\*Based on commonly refrigerated ethylene-sensitive produce.

## ARCHITECT® SERIES II KBWS22KC – 33-Inch

### PERFORMANCE

- ExtendFresh™ Temperature Management System
- Max Cool
- Holiday/Sabbath Mode
- Humidity-Controlled Crispers
- Produce Preserver
- FreshChill™ Temperature-Controlled Deli Locker
- Optional Automatic Ice Maker – IC13B
- Star-K Certified

### CRAFTSMANSHIP & DESIGN

- 22 Cu. Ft. Total Volume
- ENERGY STAR® Qualified
- LED Lighting
- Reversible Door Swing

#### Refrigerator

- Adjustable SpillClean™ Glass Shelves
- ClearVue™ Bins with Window
- Gallon Door Storage
- 4 Adjustable Door Bins
- Dairy Locker

#### Freezer

- Pull-Out Freezer Baskets

### COLORS

- White (WH)
- Black (BL)
- Monochromatic Stainless Steel with Apollo Grey Cabinet (MS)

# STANDARD-DEPTH BOTTOM-FREEZER REFRIGERATOR

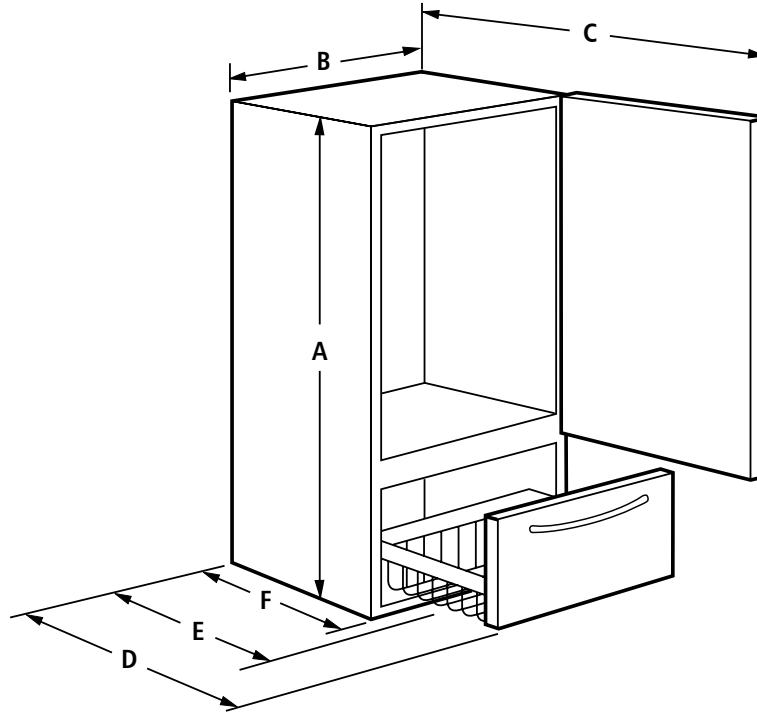
KBWS22KC

PRELIMINARY

PRODUCT DIMENSIONS – shown in inches

| MODEL NO. | HEIGHT*<br>(A)                   | WIDTH<br>(B)                   | DEPTH DOOR<br>OPEN 90°<br>(C) | DEPTH<br>DRAWER OPEN<br>(D)    | DEPTH<br>WITH HANDLES<br>(E)   | DEPTH<br>WITHOUT DOOR<br>& HANDLES (F) |
|-----------|----------------------------------|--------------------------------|-------------------------------|--------------------------------|--------------------------------|--|
| KBWS22KC  | 69 <sup>15</sup> / <sub>16</sub> | 32 <sup>5</sup> / <sub>8</sub> | 62                            | 50 <sup>3</sup> / <sub>4</sub> | 33 <sup>3</sup> / <sub>8</sub> | 28 <sup>1</sup> / <sub>8</sub>         |

\*Height is to top of hinge cover.



Dimensions are for planning purposes only. For complete details, see Installation Instructions packed with product. Specifications subject to change without notice.

For additional information about KitchenAid® appliances, visit [KitchenAid.com](http://KitchenAid.com) or call the Customer Experience Center at 800-422-1230. We'll help you select the ideal model and answer questions about appliance operation and performance.



**KitchenAid®**