

**SWC2149**

73.75" x 23.63" x 26.63" (H x W x D)

149-bottle dual zone wine cellar for built-in or freestanding use, with two glass doors

**Highlights:**

Dual zone wine cellar lets you chill whites while preserving reds

Two-door design with locks and pro handles

Slide-out wooden shelves for optimum bottle storage

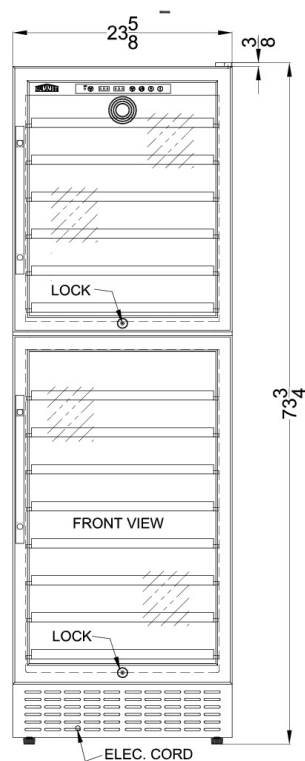
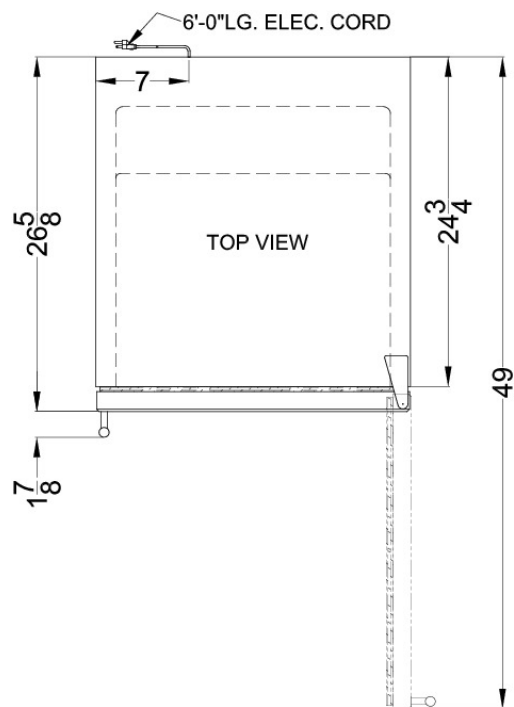
Holds 149 bottles in slim 24" width



Built-in or freestanding capable	Front-breathing design allows built-in installation, while the finished cabinet also allows freestanding use
Two-zone design	Store reds and whites separately for the best preservation
Glass doors	Double pane tempered glass doors are finished with stainless steel trim
Digital thermostats	Precise electronic controls let you set the proper temperature for reds and whites
15 slide-out wooden shelves	Smoothly gliding shelves in attractive dark wood finish hold up to 150 bottles
Factory installed locks	Keyed locks allow you to secure your collection
Recessed LED lighting	An energy efficient touch for an elegant display
Automatic defrost	Reduced user maintenance with automatic defrost
Pro handles	Stainless steel style handles finish the look
Reversible doors	Both doors are user reversible for optimum placement flexibility

## Specifications:

Height	73.75"
Width	23.63"
Depth	26.63"
Ext Depth with Handle	28.5"
Interior Height 1	35.0"
Interior Width 1	20.63"
Interior Depth 1	21.0"
Interior Height 2	24.5"
Interior Width 2	20.63"
Interior Depth 2	21.0"
Weight	249.0 lbs.
Amps	2.5
US Electrical Safety	CSA
Voltage/Frequency	115 V AC/60 Hz
Canadian Electrical Safety	CSA
Reversible	Yes
Door Swing	RHD
Shelf Quantity	14
Shelf Type	Wood
Wine Bottle Holder	true
Defrost Type	Automatic
Depth with door at 90°	49.0"
Fan Type	Interior and Exterior
Light	true
Thermostat Type	Digital
Refrigerant Type	R134a
Compressor Warranty	5 Years
Parts/Labor Warranty	1 Year



Summit Appliance Division, Felix Storch, Inc.  
 770 Garrison Ave • Bronx, NY 10474  
 Phone: 718-893-3900 • Fax: 718-842-3093  
 Email: [info@summitappliance.com](mailto:info@summitappliance.com)