

# GTWN4950F GE® 4.0 DOE cu. ft. stainless steel capacity washer

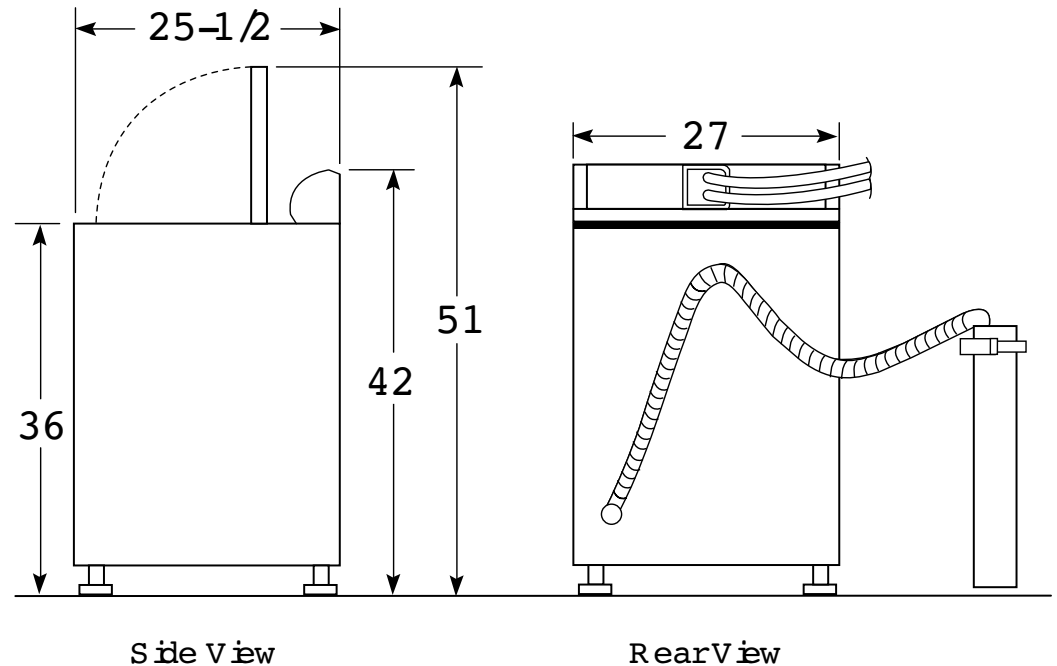
## Dimensions and Installation Information (in inches)

**Circuit Requirements:** An individual, properly-grounded branch circuit, with a three-prong grounding-type receptacle, protected by a 15 or 20 amp circuit breaker or a time-delay fuse, is required.

**Electrical Rating:** 115V, 60Hz, 10A

**Note:** Washer wall outlet must be located within 36" of service code entry. Wall outlet must not be located behind dryer.

**Installation Information:** Before installing, consult installation instructions packed with product for current dimensional data.



For answers to your Monogram®, GE Profile™ or GE® appliance questions, visit our website at [geappliances.com](http://geappliances.com) or call GE Answer Center® service, 800.626.2000.



# GTWN4950F

## GE® 4.0 DOE cu. ft. stainless steel capacity washer

### Features and Benefits

- ENERGY STAR® qualified/CEE Tier II —meets or exceeds federal guidelines for energy efficiency for year-round energy and money savings
- Infusor wash system uses HE detergent, requiring less water than a traditional topload washer
- Electronic controls with cycle status lights provide accurate cycle times
- PreciseFill—washer will automatically measure the load size and add just the right amount of water
- 700-RPM spin speed—fast spin speeds remove water efficiently and minimize dry times
- 16 wash cycles handle various fabrics and soils
- Bleach and fabric softener dispensers automatically operate with wash cycle
- Model GTWN4950FWW – White

