

EF36LNF, EF36RNF and PF36BNDF



36 Inch Wide Freestanding Refrigerator

PLANNING GUIDE

WARNING

- Observe all governing codes and ordinances during planning and installation. Contact your local building department for further information.
- This appliance must be installed in accordance with the accompanying installation instructions.

Product Dimensions

- ◇ The depth from the front of the door (w/o door handles) to the back of the refrigerator chassis is 26 7/8" (683 mm).
- ◇ The depth of the cabinet less the door is 24 1/8" (613 mm).
- ◇ The power cord is 60" (1524 mm) long.
- ◇ The height from the top of the refrigerator to the floor with the leveling legs in the down position is 70 1/8" (1781 mm)
- ◇ The height from the top of the refrigerator to the floor with the leveling legs in the fully extended position is 71 1/4" (1810 mm) at the front of the unit and 70 11/16" (1796 mm) at the rear of the unit.
- ◇ The refrigerator width from edge to edge is 35 5/8" (905 mm)

Location Requirements

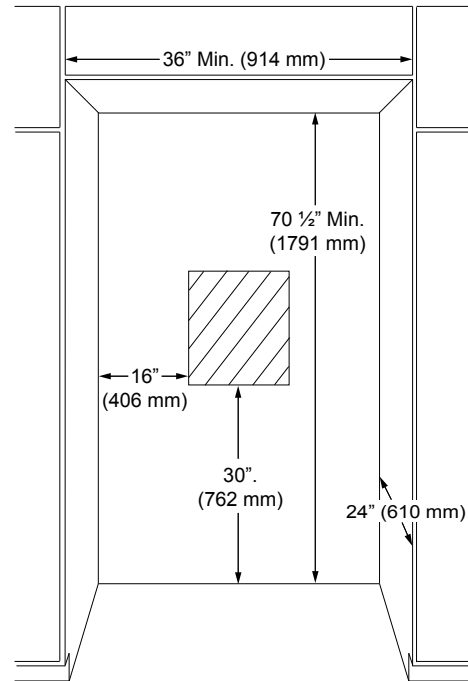
- ◇ A grounded three prong non-GFCI electrical outlet must be provided and should be in a location that allows the refrigerator to be connected without an extension cord. See **Electrical Requirements** for additional information.
- ◇ The plumbing for the water line can come through the floor flush to or from the back wall. Install the water valve in a location that allows it to be turned off without moving the refrigerator out in the event the refrigerator or water line requires service.
- ◇ The location must allow the refrigerator to be moved out from the wall without being disconnected in the event that service become necessary.
- ◇ Do not install the refrigerator in a location where temperatures will fall below freezing.
- ◇ The area to the left and the right of the appliance must permit both doors to open to a minimum of 90°. Allow a minimum of 2 1/2" (64 mm) space between the side of the refrigerator doors and a corner wall.

Water Supply Requirements

- ◇ Use 1/4" (6 mm) copper line to connect the refrigerator to the house cold fresh water supply.
- ◇ Install a shut off valve between the refrigerator and water supply. The shut off valve should be a drilled saddle valve. See the diagram above for recommended location.
- ◇ Do not use a piecing type or 3/16" (4.76 mm) saddle valve which will reduce water flow and clog more easily.
- ◇ Allow a minimum of 24" (610 mm) diameter service loop of copper tubing outside the wall or floor for easy connection to the water supply.

For model PF36BNDF:

The Dacor color palette has been developed and implemented throughout our product offerings in order to provide designers and customers with a coordinating suite of products. All of our Dacor Preference products compliment the design aesthetic of today's kitchens as well as one another. Due to the inherent nature of color rendition, the variation of materials used to assemble these handcrafted products and manufacturing production tolerances, variation based upon ambient and natural lighting conditions as well as surrounding surface color and texture may cause noticeable variation in saturation. These Dacor products are intended to coordinate with one another and noticeable differentiation may be apparent if units are installed directly adjacent to one another.



WATER VALVE LOCATION - APPROXIMATE DIMENSIONS

Cold Water Supply

Connect the ice maker to a cold water line with water pressure between 35 and 120 psi. If you have any questions about your water pressure, call your utility company.

Reverse Osmosis Water Supply

IMPORTANT: The pressure of the water supply coming out of a reverse osmosis system going to the water inlet valve of the refrigerator needs to be between 35 and 120 psi (241 and 827 kPa).

If a reverse osmosis water filtration system is connected to your cold water supply, the water pressure to the reverse osmosis system needs to be a minimum of 40 to 60 psi (276 to 414 kPa).

If the water pressure to the reverse osmosis system is less than 40 to 60 psi (276 to 414 kPa):

- Check to see whether the sediment filter in the reverse osmosis system is blocked. Replace the filter if necessary.
- Allow the storage tank on the reverse osmosis system to refill after heavy usage.
- If your refrigerator has a water filter, it may further reduce the water pressure when used in conjunction with a reverse osmosis system. Remove the water filter. See **Water Filtration System**.

If you have questions about your water pressure, call a licensed, qualified plumber.

Continued...

EF36LNF, EF36RNF and PF36BNDF

Document # PG11 - 002

Revised 08/27/09 Page 2/2

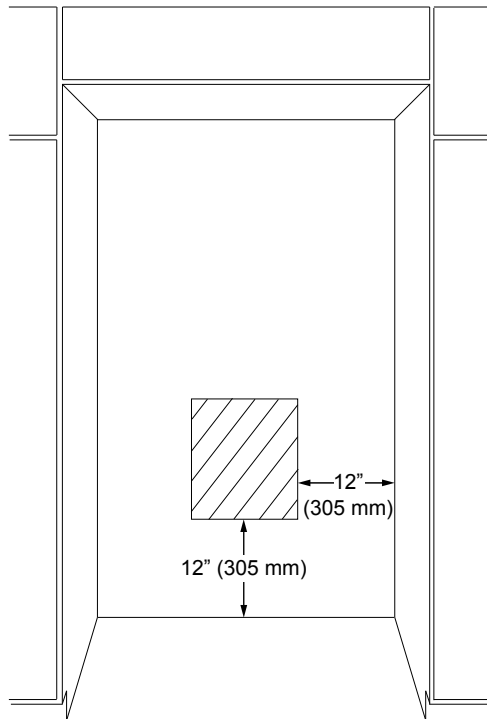


36 Inch Wide Freestanding Refrigerator

PLANNING GUIDE

Electrical Requirements

A 115 Volt, 60 Hz. AC only 15 or 20 Amp. fused, grounded electrical supply is required. It is recommended that a separate circuit serving only your refrigerator be provided. Use an outlet that cannot be turned off by a switch. Do not use an extension cord.



ELECTRICAL LOCATION - APPROXIMATE DIMENSIONS