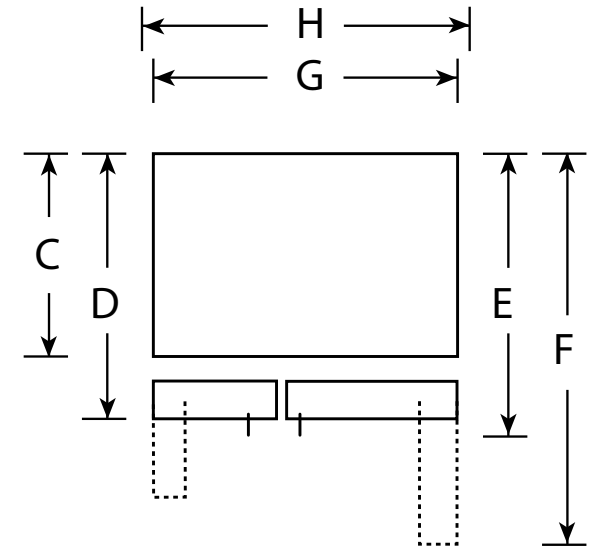
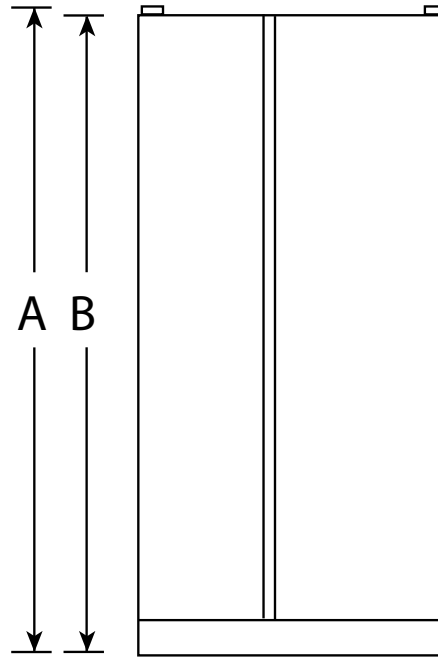


# PZS25KSE

## GE Profile™ Series 24.6 Cu. Ft. Counter-Depth Side-By-Side Refrigerator

### Dimensions and Installation Information (in inches)

Overall Dimensions	Height to top of hinge (in.) <b>A</b>	72
	Height to top of case (in.) <b>B</b>	71-1/2
	Case depth without door (in.) <b>C</b>	23-7/8
	Case depth less door handle (in.) <b>D</b>	27-1/8
	Case depth with door handle (in.) <b>E</b>	29-3/4
	Depth with fresh food door open 90° (in.) <b>F</b>	46
	Width (in.) <b>G</b>	35-3/4
	Width with door open 90° inc. door handle (in.) <b>H</b>	41-5/8
Air	Each side (in.)	1/8
	Top (in.)	1
	Back (in.)	2



†Water hook-up fits in back air clearance when calculating installation depth.

If installed against a wall, allow clearance of 13-15/16" on freezer side to remove bin.

Clearance required to remove fresh food full-size pan without disassembling is 18-5/8".

Allow additional space for any necessary leveling adjustments.



imagination at work

For answers to your Monogram® or GE appliance questions, visit our website at [geappliances.com](http://geappliances.com) or call GE Answer Center® service, 800.626.2000.



Specification Revised 9/13

210322

# PZS25KSE

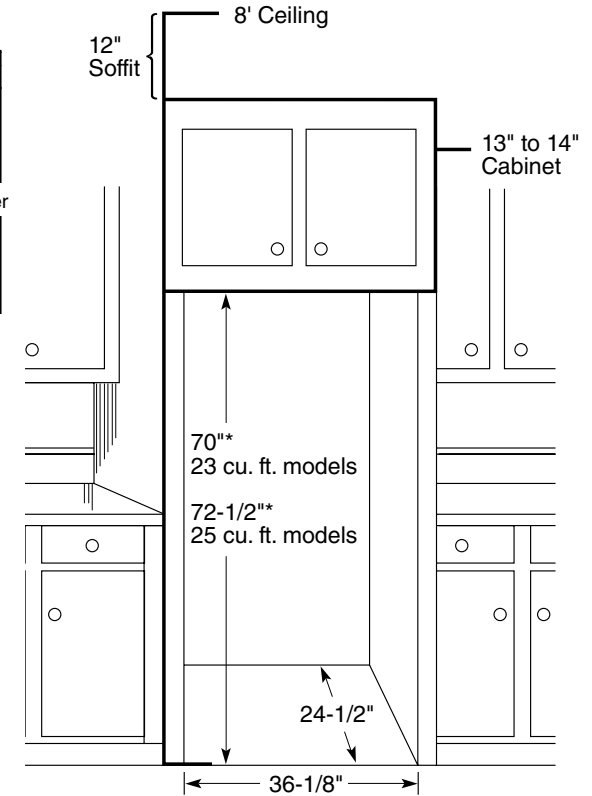
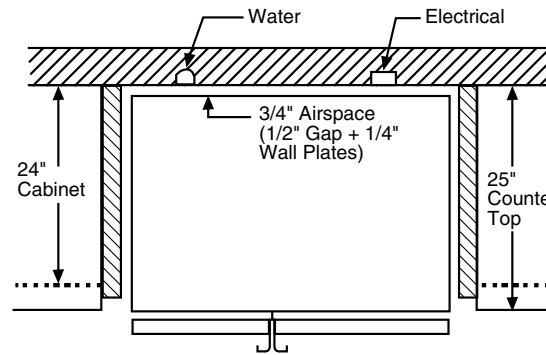
## GE Profile™ Series 24.6 Cu. Ft. Counter-Depth Side-By-Side Refrigerator

### Rough-In Dimensions and Installation Information (in inches)

#### Installation Tips to Maximize the Built-In Look

- All wall/floor molding should be removed prior to installation.
- Water recess on rear wall recommended to prevent water line damage. 48" minimum length, 1/4" diameter water line tubing recommended.
- When possible, recess both copper water line and electrical outlet. (See local codes)
- Front and rear leveling legs are adjustable for the built-in look. (See owner's manual)

\*The rough-in dimensions of 70" for 23 cu. ft. models and 72-1/2" for 25 cu. ft. models are minimum and measured from the finished floor to top of opening (or the underside of the overhead cabinets). For Models with Trim Kit: If frameless style cabinets are planned for above the refrigerator, you may need to consider adding a maximum of 1/4" (70-1/4") to height of opening for 23 cu. ft. models and 1/8" (72-5/8") for 25 cu. ft. models to allow for additional clearance between the cabinet doors and the top of refrigerator trim when the cabinet doors are in open position.



imagination at work

For answers to your Monogram® or GE appliance questions, visit our website at [geappliances.com](http://geappliances.com) or call GE Answer Center® service, 800.626.2000.



Listed by  
Underwriters  
Laboratories



Specification Revised 9/13

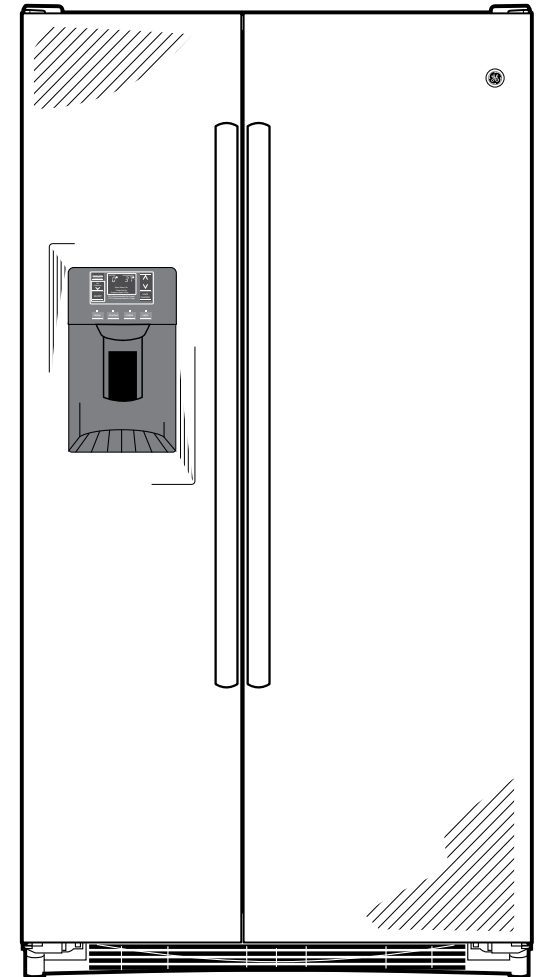
210322

# PZS25KSE

## GE Profile™ Series 24.6 Cu. Ft. Counter-Depth Side-By-Side Refrigerator

### Features and Benefits

- 72" tall
- Integrated shelf support system - Provides strong, flexible support
- Adjustable slide-out, spillproof glass shelves - Raised edges help contain spills and make clean up quick and easy
- Adjustable Clear Look door bins - Hold gallon containers with ease and free up valuable shelf space
- In-the-door beverage rack - Beverages are chilled and ready without taking up valuable space
- Arctica icemaker - Holds up to 10 lbs of ice, so there's enough for all occasions
- Multi-level full-extension freezer baskets - Slide well beyond the door for easy access to all your frozen favorites
- Tilt-out freezer door bins - Rotate forward for convenient access
- Quick Ice setting - Create ice up to 50% faster than normal settings
- Turbo Cool setting - Drops interior temperature to maintain freshness after frequent opening
- Advanced filtration - Removes trace pharmaceuticals from water and ice\* and uses replacement filter MWF  
(\*Removes ibuprofen, atenolol, fluoxetine, progesterone and trimethoprim. These pharmaceuticals are not necessarily in all users' water)
- Model PZS25KSESS - Stainless steel



imagination at work