

D5634XXLHS

Type: Built-in
Colors: TouchProof™ stainless steel

PERFORMANCE

Capacity: 14 place settings
Noise level 48 dB(A)
7Spray™ system
PowerZone™ Pots & Pans, PowerZone™ Cutlery

PROGRAMS

Heavy	Super Quick	Daily
Quick	Rinse and Dry	Delicate
Eco	Rinse & Hold	Normal

Super Quick program in 15 minutes!

FEATURES

7 Temperatures, Turbo drying™, Delayed start 1-24 h, Hidden control, LCD display, Front LED display, Towel bar handle, Uses as little as 2.6 gals of water in Quick wash, Energy Star rated, 2 year warranty

FLEXIRACKS™

Premium upper rack accommodates:

- 9" items
- Fold-down stemware shelves

Exclusive lower rack accommodates:

- 13 3/4" dishes
- Fold-down tines for storage flexibility
- Wide tine design for large bowls and platters
- Upper & lower rack handles

Cutlery basket



XXL TALL TANK MODELS

PLANNING & DESIGN: XXL DISHWASHERS

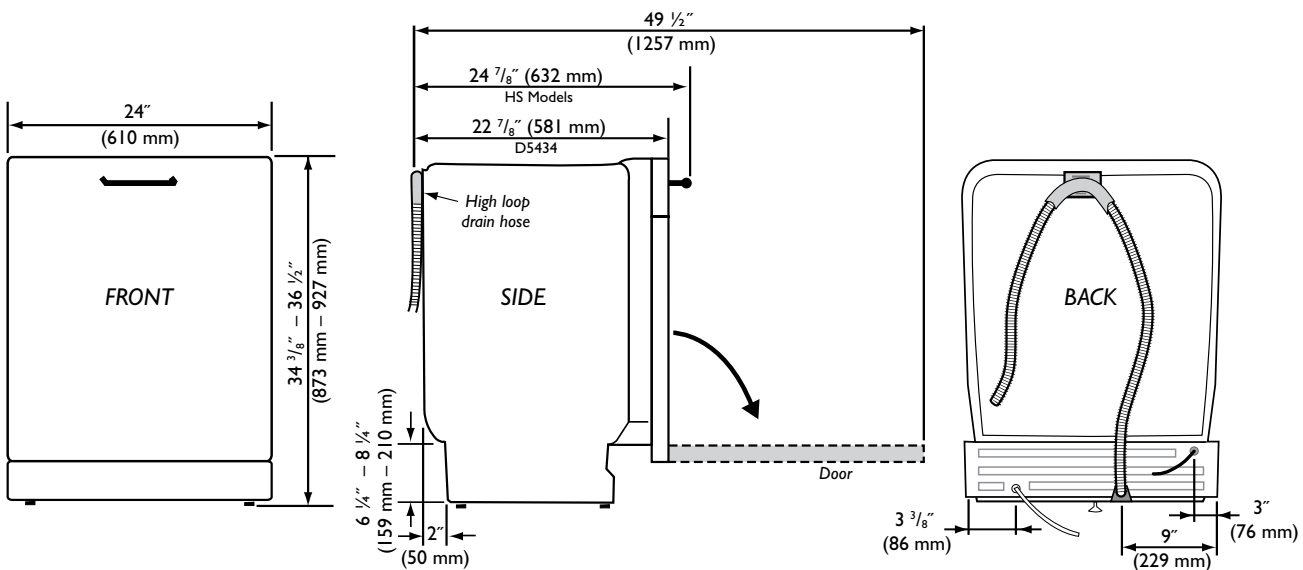
D5434XXL, D5624XXL, D5634XXLHS, D5654XXLHS, D5894XXLHS

Unit Dimensions

	US	METRIC
HEIGHT:*	34 ³ / ₈ " – 36 ¹ / ₂ "	873 – 927 mm
WIDTH:	24"	610 mm
DEPTH:	22 ⁷ / ₈ "	581 mm
DEPTH W/ HANDLE (HS):	24 ⁷ / ₈ "	632 mm
DEPTH W/DOOR OPEN:	49 ¹ / ₂ "	1257 mm
WEIGHT:	106 lbs	48 kg

Technical Data

Electricity	120 V, 60 Hz, 15 Amp
Water pressure	4.2 – 140 psi
Heating element	1200 watt
Max loading	1300 watt



Cutout Dimensions

	US	METRIC
HEIGHT:*	34 ³ / ₈ " – 36 ¹ / ₂ "	873 – 927 mm
WIDTH:	24"	610 mm
DEPTH:	24"	610 mm

The electrical and water supplies should enter through the area indicated by the shaded area. Preferably, they should come through the right side of the machine. The access hole must be round and smooth and no bigger than 1 ¹/₂" (38 mm) in diameter.

* Total height can be reduced by ¹/₂" by removing upper trim.

