

# D5954 Outdoor

Type: Freestanding or built in  
Colors: TouchProof™ stainless steel

### PERFORMANCE

Capacity: 14 place settings  
Noise level 48 dB(A)  
7Spray™ system  
PowerZone™ Pots and Pans  
PowerZone™ Cutlery

### PROGRAMS

Daily	Heavy	Normal
Time	Delicate	Quick
Super Quick	Eco	Rinse & Hold
Rinse & Dry		

### FEATURES

7 Temperatures, Delayed start 1-24 h, Time set, Time saver, Freestanding design wrapped in a durable Stainless Steel cabinet, Exclusive winterizing program, UL approved for safety, Towel Bar design handle, Condensation drying

### FLEXIRACKS™

Exclusive height adjustable upper rack accommodates: 7 1/2" - 9" items  
Exclusive lower rack accommodates: up to 15 1/4" dishes, Knife rack with dedicated wash system

### OUTDOOR DISHWASHER

The ASKO Outdoor dishwasher is specifically designed to withstand the harsh conditions of the outdoors. It is packed with the quality features that have made ASKO the dishwasher of choice for designers, architects and consumers in North America for over 25 years. The ASKO D5954 Outdoor dishwasher is freestanding and the perfect complement for any outdoor entertainer's kitchen.



Asko Appliances, Inc  
PO BOX 940609 • Plano • Texas • 75094  
Phone 800.898.1879  
www.askousa.com

# OUTDOOR MODEL

## PLANNING & DESIGN: OUTDOOR DISHWASHER

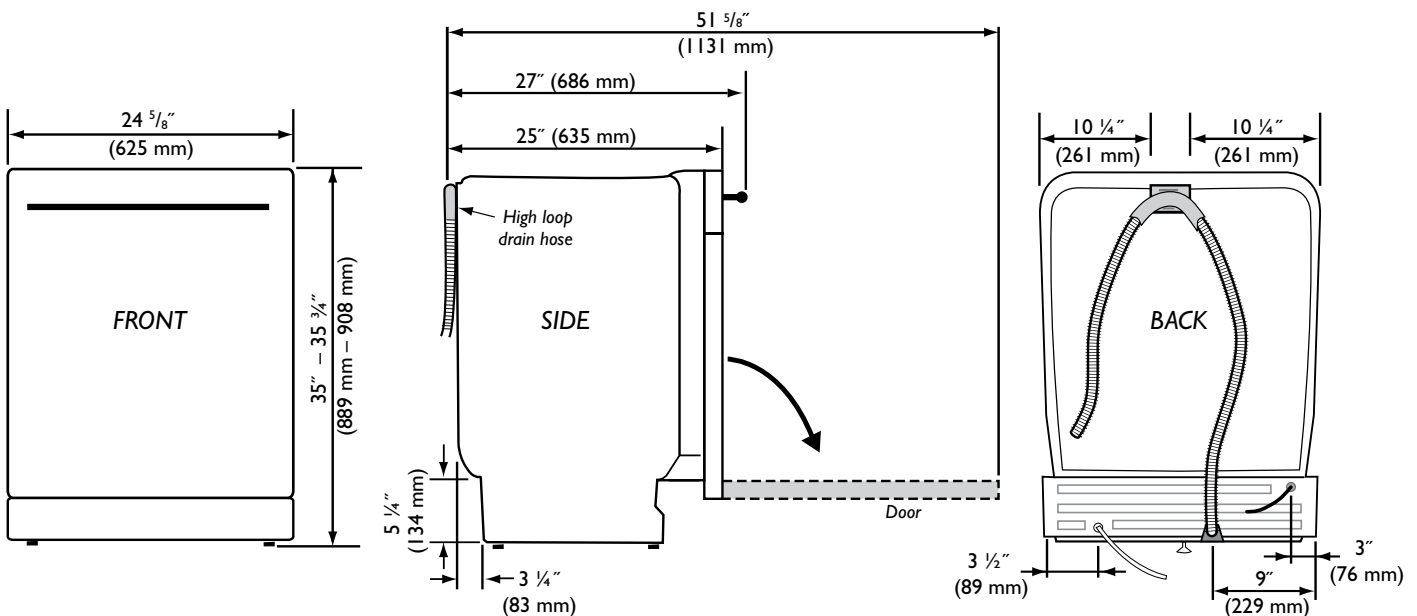
### D5954 Outdoor

#### Unit Dimensions

	US	METRIC
HEIGHT:	35" – 35 3/4"	889 – 908 mm
WIDTH:	24 5/8"	625 mm
DEPTH:	25"	635 mm
DEPTH W/HANDLE:	27"	686 mm
DEPTH W/DOOR OPEN:	51 5/8"	1131 mm
WEIGHT:	163 lbs	74 kg

#### Technical Data

Electricity	120 V, 60 Hz, 15 Amp
Water Pressure	4.2 – 140 psi
Max Wattage	1200 watt
Max Loading	1300 watt



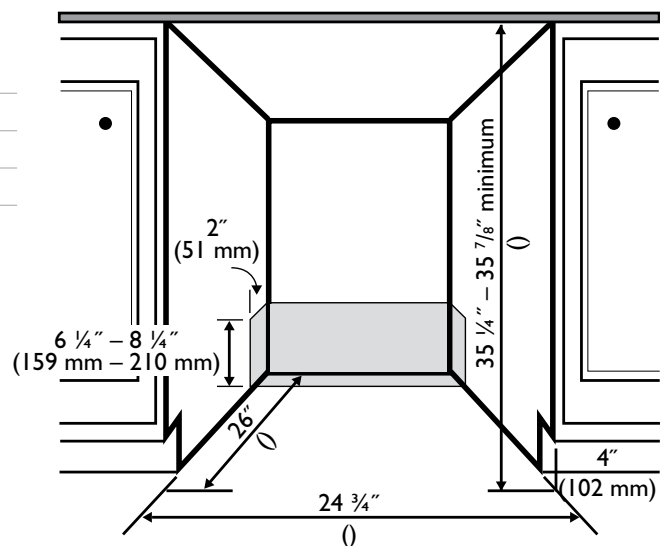
#### Cutout Dimensions

	US	METRIC
HEIGHT:	35 1/4" – 35 7/8"	
WIDTH:	23 3/4"	
DEPTH:	26"	

Depth includes space for the high-loop drain hose

The electrical and water supplies should enter through the area indicated by the shaded area. Preferably, they should come through the right side of the machine. The access hole must be round and smooth and no bigger than 2" (51 mm) in diameter.

**This item is finished and can be left freestanding. These are the cutout dimensions for building the product in.**



# ASKO Outdoor Dishwasher D5954 Outdoor Dishwasher



**Designed to withstand the elements:**  
 18:9 stainless steel exterior and interior are low maintenance and durable  
 o All electronics and wiring are protected from the elements and made to last through the coldest winters and hottest summers

o Adjustable steel feet keep dishwasher level on textured stone outdoor kitchen floors

o Simple winterization steps allow it to be stored outdoors, even in the coldest winters

**Capacity designed for outdoor dining occasions:**

- o Holds up to 12 full place settings
- o Exclusive upper rack offers height adjustment enabling 7 1/2" – 9" clearance
- o Exclusive upper rack offers fold-down stemware supports for wine glasses
- o Exclusive lower rack offers wide tines and dedicated spray system on left side for large bowls, platters and pans.

**7 Spray wash system:**

- o Six wash programs and six wash temperature settings up to 160 degrees

**Fahrenheit**

- o Triple filtration system made of stainless steel.
- o Internal flow-thru heater system provides accurate wash and rinse temperatures

**Water and energy efficient:**

- o Uses as little as 3.8 gallons of water per load.

**Streamlined design:**

- o Control panel hidden on the top of the door made with UV protected cover.

**Water safety protection system** consists of 16 different features and components to ensure a leak-safe dishwasher

**Easy to install** with outdoor rated electrical power cord, water supply (PEX) hose and drain hose connected at the factory.

**100% tested** – all dishwashers are tested at the factory before packaging to ensure optimum performance

**All steel components treated for corrosion protection**

**Quiet operation at 48 dB(A)**