

# D5524XXLFI

Type: Fully integrated  
Colors: Fully Integrated (FI) model accommodates a selection of accessory door panels or customer supplied custom wood panel

## PERFORMANCE

Capacity: 14 place settings  
Noise level 50 dB(A)  
7Spray™ system  
PowerZone™ Pots & Pans, PowerZone™ Cutlery

## PROGRAMS

Heavy	Normal	Daily
Quick	Super Quick	Delicate
Eco	Rinse & Dry	Rinse & Hold

Super Quick program in 15 minutes!

## FEATURES

7 Temperatures, Condensation dry, Hidden control, LCD display, Uses as little as 2.6 gals of water in Quick wash, Energy Star rated, 2 year warranty

## FLEXIRACKS™ (SEE PAGE 20)

Standard upper rack accommodates:  
- 9" items  
- Height-adjustable stemware shelf  
- High-side design to protect dishes and glasses  
Standard lower rack accommodates:  
- 13 3/4" dishes  
Cutlery basket



# XXL TALL TANK MODELS

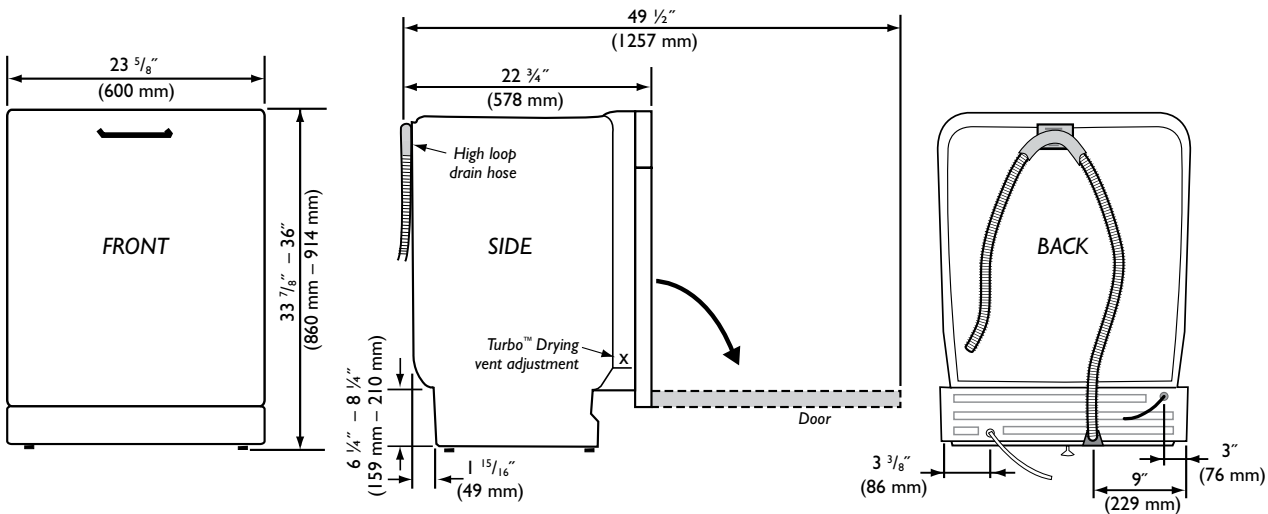
## PLANNING & DESIGN: XXL DISHWASHERS – PANEL READY D5524XXLFI, D5534XXLFI, D5554XXLFI, D5894XXLFI

### Unit Dimensions

	US	METRIC
HEIGHT:*	33 7/8" – 36"	860 – 914 mm
WIDTH:	23 5/8"	600 mm
DEPTH:	22 7/8"	581 mm
DEPTH W/DOOR OPEN:	49 1/2"	1257 mm
WEIGHT:	94 lbs	43 kg

### Technical Data

Electricity	120 V, 60 Hz, 15 Amp
Water pressure	4.2 – 140 psi
Heating element	1200 watt
Max loading	1300 watt



Toe kick reveal height will be the dishwasher installation height minus the door panel height.

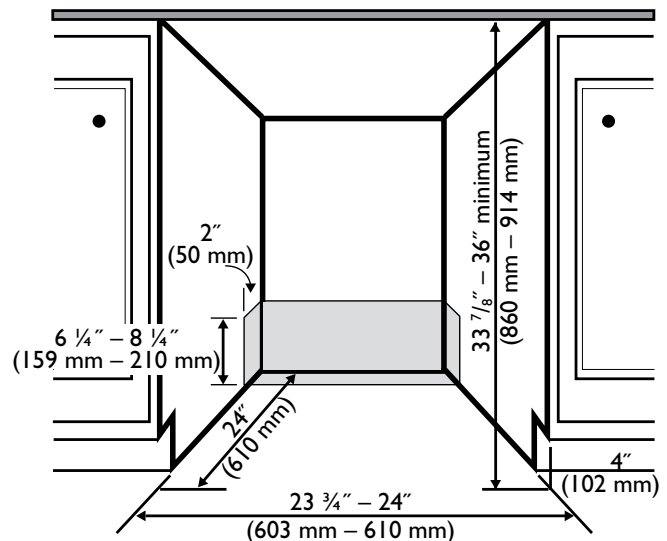
### Custom Front Panels

The D5524XXLFI, D5534XXLFI, D5554XXLFI and D5894XXLFI can only be installed with a fully-integrated custom door panel that extends from the desired toe kick height to the counter top. A one-piece accessory door panel selection is also available.

### Cutout Dimensions

	US	METRIC
HEIGHT:*	33 7/8" – 36"	860 – 914 mm
WIDTH:	23 5/8" – 24"	600 – 610 mm
DEPTH:	24"	610 mm

The electrical and water supplies should enter through the area indicated by the shaded area. Preferably, they should come through the right side of the machine. The access hole must be round and smooth and no bigger than 2" (51 mm) in diameter.



\* If accessory FI fill strips are used, then 1/2" (13 mm) must be added to the dishwasher height and cutout. Additionally, 3/8" (10 mm) must be added to the dishwasher width and cutout width.

Specifications are subject to change without notice. See installation instructions for additional details.