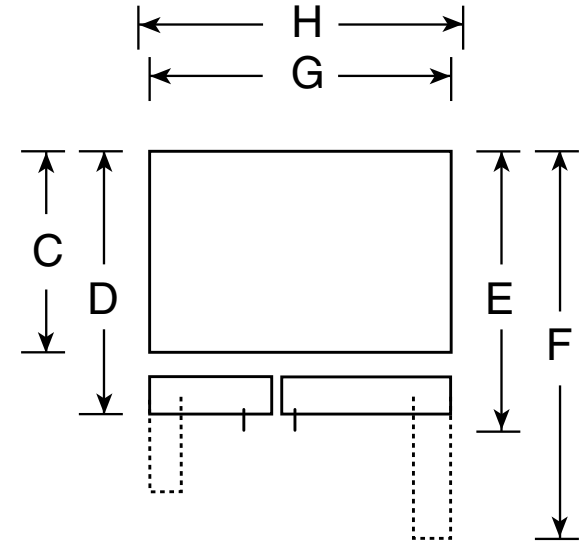
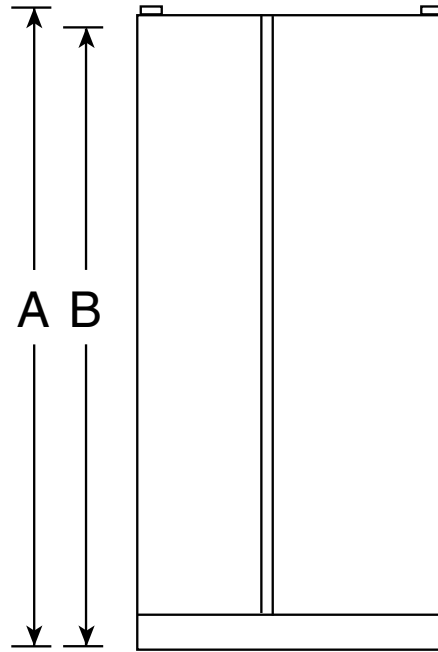


GSE26GGE

GE® ENERGY STAR® 25.9 Cu. Ft. Side-By-Side Refrigerator with Dispenser

Dimensions and Installation Information (in inches)

Overall Dimensions	Height to top of hinge (in.) A	69-1/2
	Height to top of case (in.) B	69
	Case depth without door (in.) C	28
	Case depth less door handle (in.) D	32-1/4
	Case depth with door handle (in.) E	34-3/4
	Depth with fresh food door open 90° (in.) F	50
	Width (in.) G	35-3/4
	Width with door open 90° inc. door handle (in.) H	43-3/4
Air	Each side (in.)	1/8
	Top (in.)	1
	Back (in.)	2



imagination at work

For answers to your Monogram® or GE appliance questions, visit our website at geappliances.com or call GE Answer Center® service, 800.626.2000.



Listed by
Underwriters
Laboratories



As an ENERGY STAR® partner, GE has determined that this product meets the ENERGY STAR guidelines for energy efficiency.

Specification Revised 8/13

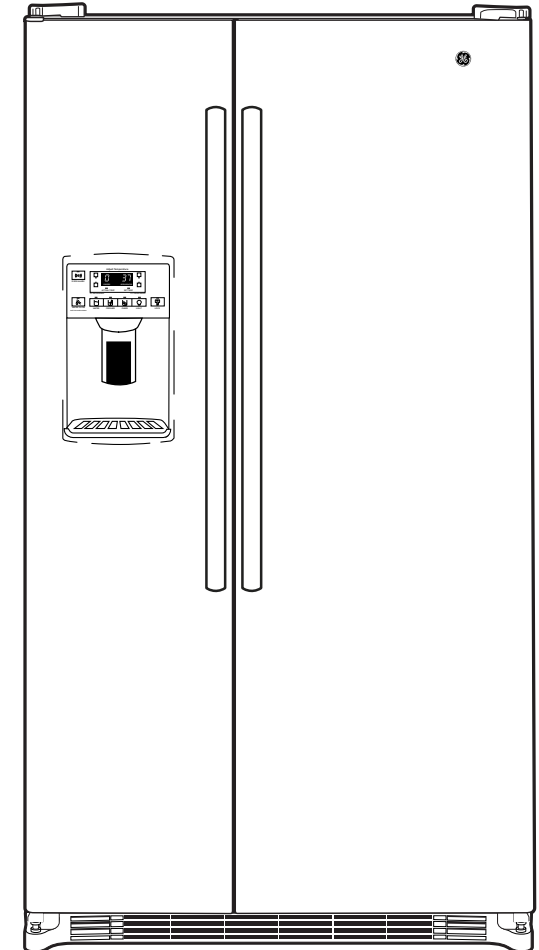
310149

GSE26GGE

GE® ENERGY STAR® 25.9 Cu. Ft. Side-By-Side Refrigerator with Dispenser

Features and Benefits

- High-gloss finish - Step up to a smooth look that stands out in any kitchen
- Multi-level drawers - Keeps fruits and vegetables fresh
- Adjustable gallon door bins - Offers ideal space for storing gallon containers in the door
- Adjustable slide-out, spillproof glass shelves - Raised edges help contain spills, holding up to 12 ounces of liquid, to make cleanup quick and easy
- GE water filtration - six month filter - Removes impurities for fresh-tasting water
- Arctica icemaker - A special access door puts ice within reach
- Frost Guard technology - Controlled defrosting helps food retain flavor
- Auto Energy saver - Cycles adjust to frequent door openings to save energy
- Never Clean condenser - Sealed compartment keeps coils clean and simplifies maintenance
- Model GSE26GGEBB - Black
- Model GSE26GGEWW - White
- Model GSE26GGECC - Bisque



imagination at work



As an ENERGY STAR® partner, GE has determined that this product meets the ENERGY STAR guidelines for energy efficiency.