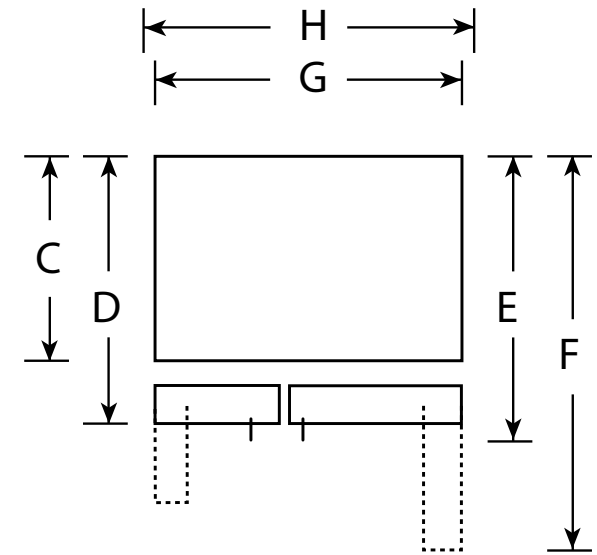
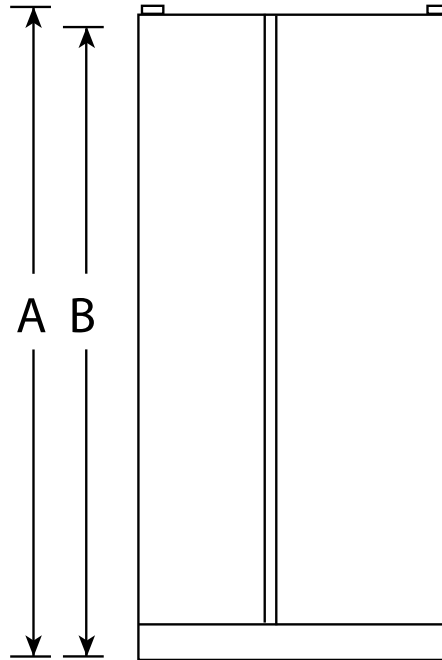


# PZS23KSE

## GE Profile™ Series 23.3 Cu. Ft. Side-by-Side Refrigerator

### Dimensions and Installation Information (in inches)

Overall Dimensions	Height to top of hinge (in.) <b>A</b>	<b>69-1/4</b>
	Height to top of case (in.) <b>B</b>	<b>68-3/4</b>
	Case depth without door (in.) <b>C</b>	<b>23-7/8</b>
	Case depth less door handle (in.) <b>D</b>	<b>27-1/8</b>
	Case depth with door handle (in.) <b>E</b>	<b>29-3/4</b>
	Depth with fresh food door open 90° (in.) <b>F</b>	<b>46</b>
	Width (in.) <b>G</b>	<b>35-3/4</b>
Air	Width with door open 90° inc. door handle (in.) <b>H</b>	<b>41-5/8</b>
	Each side (in.)	<b>1/8</b>
	Top (in.)	<b>1</b>
	Back (in.)	<b>2</b>



†Water hook-up fits in back air clearance when calculating installation depth.

If installed against a wall, allow clearance of 14-3/16" on freezer side to remove bin.

Clearance required to remove fresh food full-size pan without disassembling is 18-15/16".

Allow additional space for any necessary leveling adjustments.



imagination at work

For answers to your Monogram® or GE appliance questions, visit our website at [geappliances.com](http://geappliances.com) or call GE Answer Center® service, 800.626.2000.



Listed by  
Underwriters  
Laboratories



Specification Created 6/13

210319

# PZS23KSE

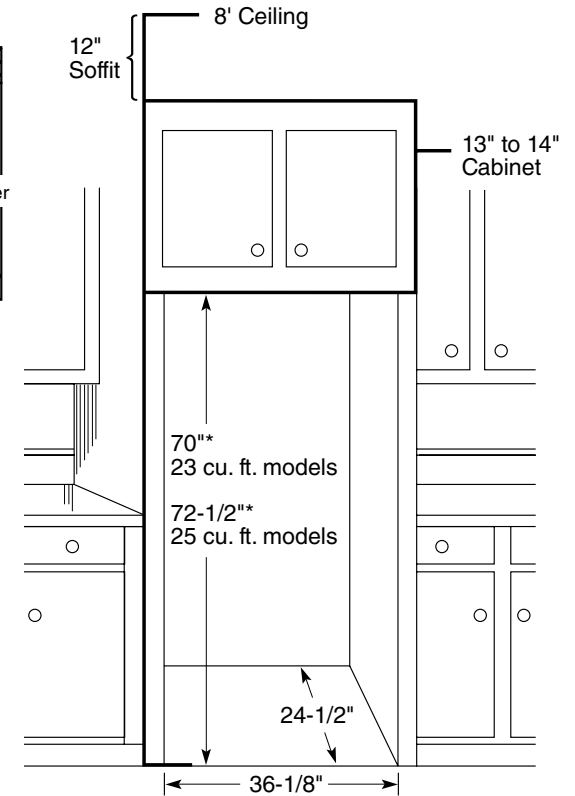
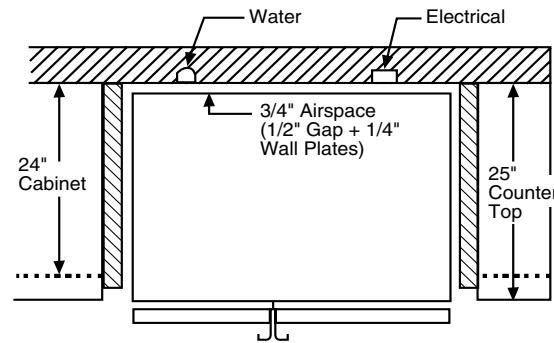
## GE Profile™ Series 23.3 Cu. Ft. Side-by-Side Refrigerator

### Dimensions and Installation Information (in inches)

#### Installation Tips to Maximize the Built-In Look

- All wall/floor molding should be removed prior to installation.
- Water recess on rear wall recommended to prevent water line damage. 48" minimum length, 1/4" diameter water line tubing recommended.
- When possible, recess both copper water line and electrical outlet. (See local codes)
- Front and rear leveling legs are adjustable for the built-in look. (See owner's manual)

\*The rough-in dimensions of 70" for 23 cu. ft. models and 72-1/2" for 25 cu. ft. models are minimum and measured from the finished floor to top of opening (or the underside of the overhead cabinets). For Models with Trim Kit: If frameless style cabinets are planned for above the refrigerator, you may need to consider adding a maximum of 1/4" (70-1/4") to height of opening for 23 cu. ft. models and 1/8" (72-5/8") for 25 cu. ft. models to allow for additional clearance between the cabinet doors and the top of refrigerator trim when the cabinet doors are in open position.



imagination at work

For answers to your Monogram® or GE appliance questions, visit our website at [geappliances.com](http://geappliances.com) or call GE Answer Center® service, 800.626.2000.



Listed by  
Underwriters  
Laboratories



Specification Created 6/13

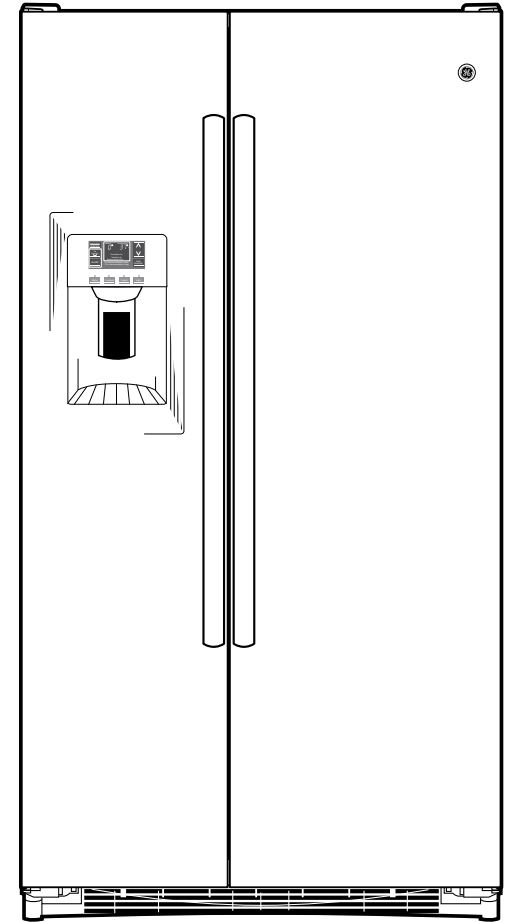
210319

# PZS23KSE

## GE Profile™ Series 23.3 Cu. Ft. Side-by-Side Refrigerator

### Features and Benefits

- Counter-depth design - Offers a built-in look by fitting nearly flush with surrounding cabinetry
- High-gloss finish - Step up to a smooth look that stands out in any kitchen
- Temperature management - Enjoy even cooling throughout the fresh food section
- Quick Ice setting - Create ice up to 50% faster than normal settings
- Turbo Cool setting - Drops interior temperature to maintain freshness after frequent openings
- Integrated shelf support system - Provides strong, flexible support
- Adjustable Clear Look door bins - Hold gallon containers with ease and free up valuable shelf space
- In-the-door beverage rack - Beverages are chilled and ready without taking up valuable space
- Adjustable slide-out, spillproof glass shelves - Raised edges help contain spills and make clean up quick and easy
- Tilt-out freezer door bins - Rotate forward for convenient access
- Frost Guard technology - Controlled defrosting helps food retain flavor
- Model PZS23KGESS - Stainless steel



imagination at work