

# GENESIS®



## GAS GRILL

### Natural Gas Grill Owner's Guide

**ESNA** Guía del Propietario de la Barbacoa de Gas Natural - Pg. 29

**FC** Guide de l'utilisateur du barbecue au gaz naturel - Pg. 53

320/330

#56511



**YOU MUST READ THIS OWNER'S GUIDE BEFORE OPERATING YOUR GAS GRILL.**

**⚠ DANGER**

If you smell gas:

1. Shut off gas to the appliance.
2. Extinguish any open flames.
3. Open lid.
4. If odor continues, keep away from the appliance and immediately call your gas supplier or your fire department.

Leaking gas may cause a fire or explosion which can cause serious bodily injury, death, or damage to property.

**⚠ WARNING:**

1. Do not store or use gasoline or other flammable liquids or vapors in the vicinity of this or any other appliance.
2. An LP cylinder not connected for use shall not be stored in the vicinity of this or any other appliance.

**⚠ WARNING:** Follow all leak-check procedures carefully in this manual prior to barbecue operation. Do this even if the barbecue was dealer-assembled.

**NOTICE TO INSTALLER:** These instructions must be left with the owner and the owner should keep them for future use.

**THIS GAS APPLIANCE IS DESIGNED FOR OUTDOOR USE ONLY.**

**⚠ WARNING:** Do not ignite this appliance without first reading the **BURNER IGNITION** sections of this manual.



56511 04/29/11 NG  
US - ENGLISH

# WARNINGS

## ⚠ DANGER

Failure to follow the Dangers, Warnings and Cautions contained in this Owner's Manual may result in serious bodily injury or death, or in a fire or an explosion causing damage to property.

## ⚠ WARNINGS

- ⚠ Do not store a spare or disconnected liquid propane cylinder under or near this barbecue.
- ⚠ Improper assembly may be dangerous. Please follow the assembly instructions carefully.
- ⚠ After a period of storage, and/or nonuse, the Weber® gas barbecue should be checked for gas leaks and burner obstructions before use. See instructions in this manual for correct procedures.
- ⚠ Do not operate the Weber® gas barbecue if there is a gas leak present.
- ⚠ Do not use a flame to check for gas leaks.
- ⚠ Combustible materials should never be within 24 inches (61 cm) of the back or sides of your Weber® gas barbecue.
- ⚠ Do not put a barbecue cover or anything flammable on, or in the storage area under the barbecue.
- ⚠ Your Weber® gas barbecue should never be used by children. Accessible parts of the barbecue may be very hot. Keep young children away while it is in use.
- ⚠ You should exercise reasonable care when operating your Weber® gas barbecue. It will be hot during cooking or cleaning and should never be left unattended, or moved while in operation.
- ⚠ Should the burners go out while in operation, turn all gas valves off. Open the lid and wait five minutes before attempting to relight, using the igniting instructions.
- ⚠ Do not use charcoal or lava rock in your Weber® gas barbecue.
- ⚠ Never lean over open grill or place hands or fingers on the front edge of the cookbox.
- ⚠ Should a grease fire occur, turn off all burners and leave lid closed until fire is out.
- ⚠ Do not enlarge valve orifices or burner ports when cleaning the valves or burners.
- ⚠ The Weber® gas barbecue should be thoroughly cleaned on a regular basis.
- ⚠ Liquid propane gas is not natural gas. The conversion or attempted use of natural gas in a liquid propane unit or liquid propane gas in a natural gas unit is dangerous and will void your warranty.
- ⚠ Do not attempt to disconnect any gas fitting while your barbecue is in operation.
- ⚠ Use heat-resistant barbecue mitts or gloves when operating barbecue.
- ⚠ Keep any electrical supply cord and the fuel supply hose away from any heated surfaces.
- ⚠ Combustion byproducts produced when using this product contain chemicals known to the state of California to cause cancer, birth defects, or other reproductive harm.
- ⚠ Do not use this barbecue unless all parts are in place. The unit must be properly assembled according to the assembly instructions.
- ⚠ Do not build this model of grill in any built-in or slide-in construction. Ignoring this Warning could cause a fire or an explosion that can damage property and cause serious bodily injury or death.
- ⚠ Proposition 65 Warning: Handling the brass material on this product exposes you to lead, a chemical known to the state of California to cause cancer, birth defects or other reproductive harm.  
(Wash hands after handling this product.) ♦

## LIQUID PROPANE GAS UNITS ONLY:

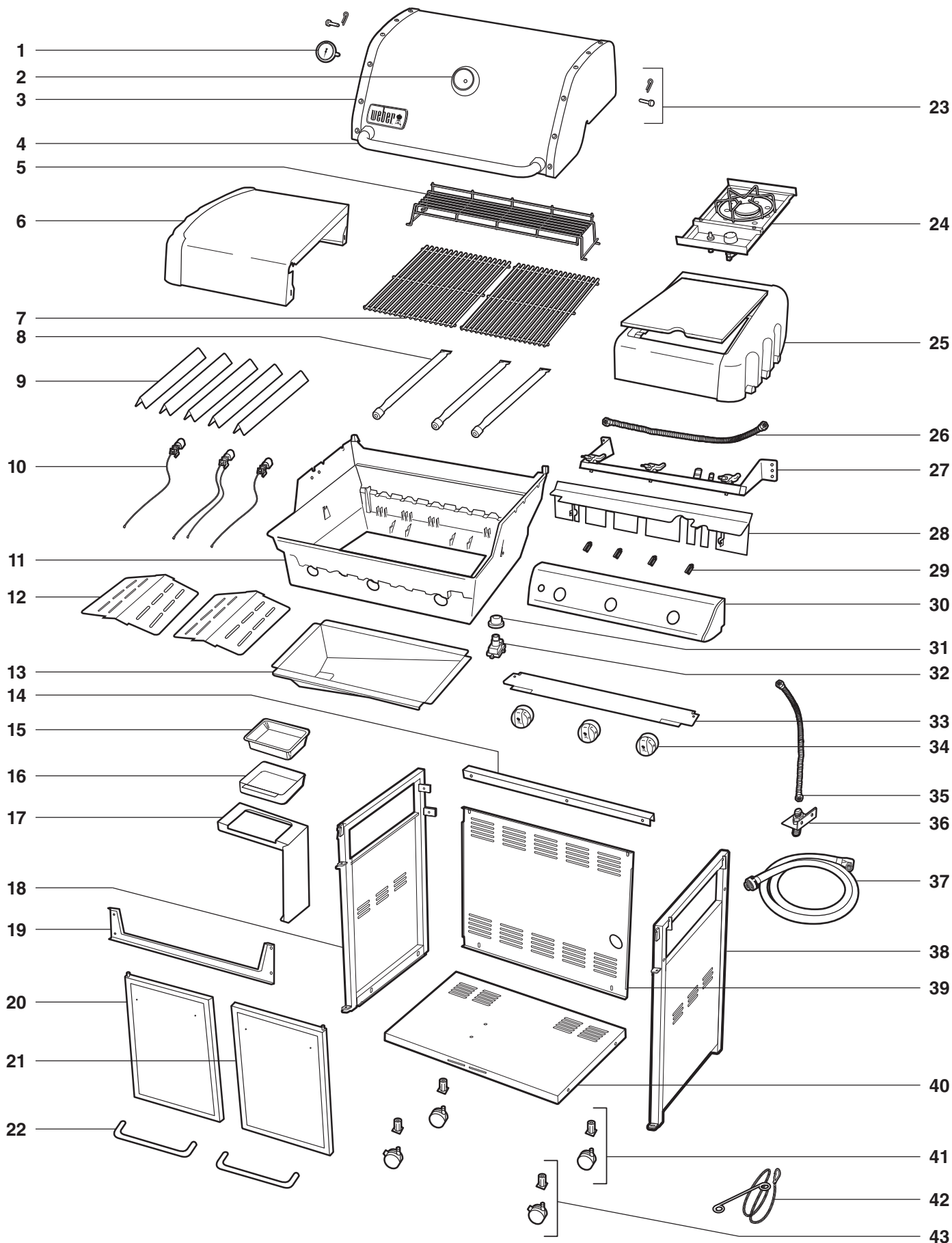
- ⚠ Use the pressure regulator and hose assembly that is supplied with your Weber® gas barbecue.
- ⚠ Do not attempt to disconnect the gas regulator and hose assembly or any gas fitting while your barbecue is in operation.
- ⚠ A dented or rusty liquid propane cylinder may be hazardous and should be checked by your liquid propane supplier. Do not use a liquid propane cylinder with a damaged valve.
- ⚠ Although your liquid propane cylinder may appear to be empty, gas may still be present, and the cylinder should be transported and stored accordingly.
- ⚠ If you see, smell or hear the hiss of escaping gas from the liquid propane cylinder:
  1. Move away from liquid propane cylinder.
  2. Do not attempt to correct the problem yourself.
  3. Call your fire department. ♦

# TABLE OF CONTENTS

<b>WARNINGS</b> .....	<b>2</b>	<b>GRILLING TIPS &amp; HELPFUL HINTS</b> .....	<b>19</b>
<b>TABLE OF CONTENTS</b> .....	<b>3</b>	PREHEATING .....	19
<b>EXPLODED VIEW 320</b> .....	<b>4</b>	COVERED COOKING .....	19
<b>EXPLODED VIEW LIST 320</b> .....	<b>5</b>	DRIPPINGS AND GREASE .....	19
<b>EXPLODED VIEW 330</b> .....	<b>6</b>	FLAVORIZER® SYSTEM .....	19
<b>EXPLODED VIEW LIST 330</b> .....	<b>7</b>	<b>SIDE BURNER IGNITION &amp; USAGE</b> .....	<b>20</b>
<b>WARRANTY</b> .....	<b>8</b>	SIDE BURNER IGNITION .....	20
<b>GENERAL INSTRUCTIONS</b> .....	<b>9</b>	TO EXTINGUISH .....	20
CANADIAN INSTALLATION .....	9	SIDE BURNER MANUAL IGNITION .....	21
STORAGE .....	9	TO EXTINGUISH .....	21
OPERATING .....	9	<b>TROUBLESHOOTING</b> .....	<b>22</b>
GAS SUPPLY TESTING .....	9	<b>SIDE BURNER TROUBLESHOOTING</b> .....	<b>22</b>
<b>GAS INSTRUCTIONS (MODEL 320)</b> .....	<b>10</b>	<b>MAINTENANCE</b> .....	<b>23</b>
INSTALL GAS SUPPLY .....	10	CLEANING .....	23
<b>GAS INSTRUCTIONS (MODEL 330)</b> .....	<b>11</b>	WEBER® SPIDER/INSECT SCREENS .....	23
INSTALL GAS SUPPLY .....	11	BURNER TUBES CLEANING OR REPLACEMENT .....	24
<b>GAS INSTRUCTIONS</b> .....	<b>12</b>	ELECTRONIC IGNITION SYSTEM OPERATIONS .....	26
TYPE OF GAS .....	12	SIDE BURNER MAINTENANCE .....	27
WHAT IS NATURAL GAS? .....	12	ANNUAL MAINTENANCE .....	27
NATURAL GAS CONNECTION .....	12		
LEAK CHECK PREPARATION .....	12		
CHECK FOR GAS LEAKS .....	13		
<b>BEFORE USING THE GRILL</b> .....	<b>15</b>		
SLIDE OUT GREASE TRAY AND DISPOSABLE DRIP PAN .....	15		
ELECTRONIC IGNITER INSPECTION .....	15		
HOSE INSPECTION .....	15		
<b>MAIN BURNER IGNITION &amp; USAGE</b> .....	<b>16</b>		
MAIN BURNER IGNITION .....	16		
TO EXTINGUISH .....	16		
MAIN BURNER MANUAL IGNITION .....	17		
TO EXTINGUISH .....	17		
<b>SEAR STATION® IGNITION &amp; USAGE (MODEL 330)</b> .....	<b>18</b>		
SEAR STATION® BURNER IGNITION .....	18		
SEAR STATION® BURNER MANUAL IGNITION .....	18		
WHAT IS SEARING? .....	18		
SEAR STATION® BURNER OPERATION .....	18		

# EXPLODED VIEW 320 • DIAGRAMA DE DESPIECE 320 • VUE ECLATEE 320

Genesis\_320\_NG\_US\_061110

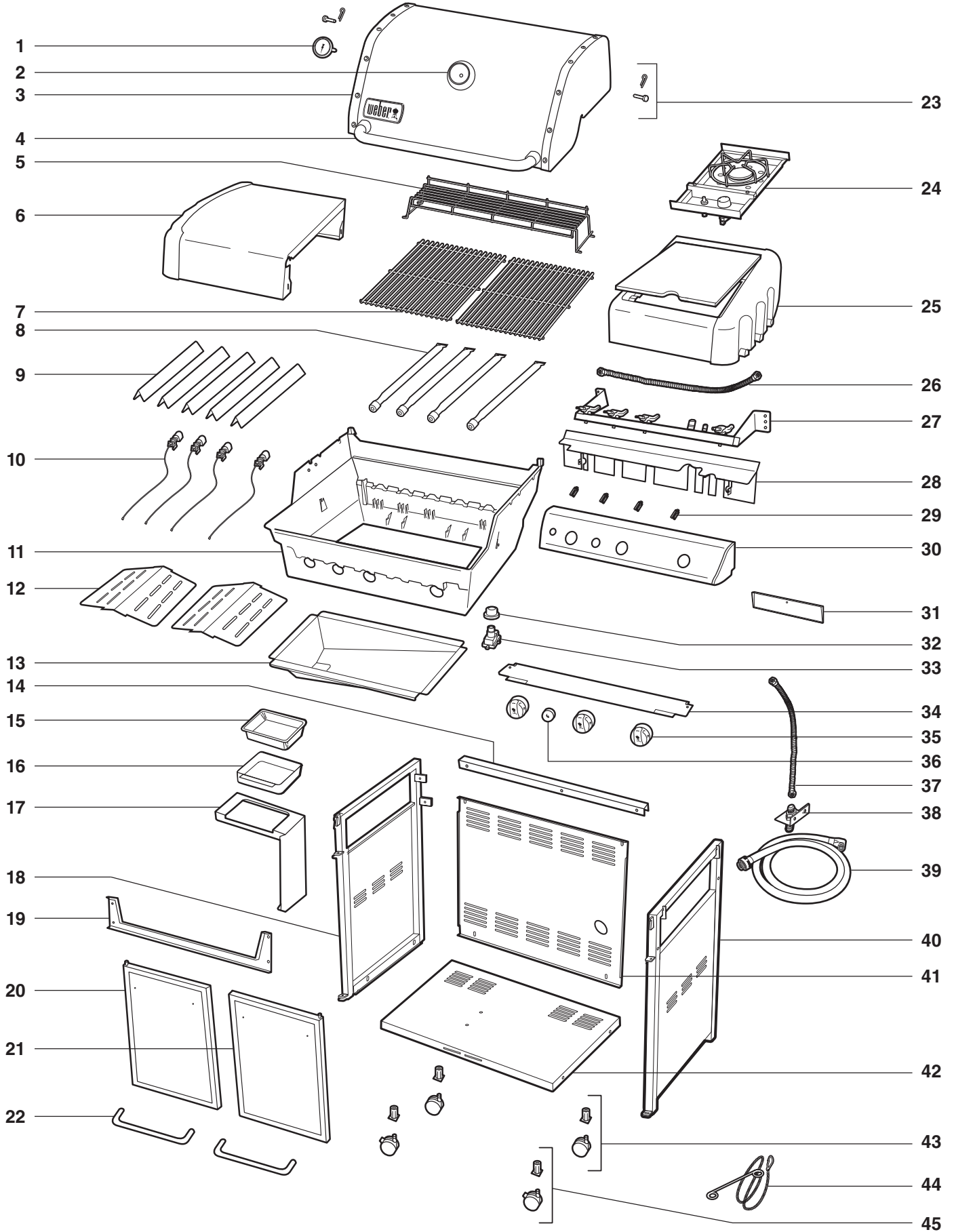




- |  |  |  |
|--|--|--|
| 1. <b>Thermometer</b><br>Termómetro<br>Thermomètre   | 17. <b>Catch Pan Holder</b><br>Soporte del plato recolector<br>Support pour égouttoir                      | 33. <b>Wind Deflector</b><br>Deflector de viento<br>Déflecteur de vent                 |
| 2. <b>Thermometer Bezel</b><br>Moldura decorativa del termómetro<br>Collerette du thermomètre                    | 18. <b>Left Frame Panel</b><br>Panel izquierdo del bastidor<br>Panneau du châssis de gauche                | 34. <b>Control Knob</b><br>Perilla de control<br>Bouton de commande                    |
| 3. <b>Shroud</b><br>Cubierta<br>Etui   | 19. <b>Front Frame Support</b><br>Soporte delantero del bastidor<br>Support du châssis avant               | 35. <b>Manifold Hose</b><br>Manguera del múltiple<br>Tuyau du collecteur               |
| 4. <b>Handle</b><br>Asa<br>Poignée   | 20. <b>Left Door</b><br>Puerta izquierda<br>Porte gauche   | 36. <b>Bulkhead</b><br>Tabique divisorio<br>Tête du brûleur                            |
| 5. <b>Warming Rack</b><br>Rejilla de calentamiento<br>Grille de maintien au chaud                                | 21. <b>Right Door</b><br>Puerta derecha<br>Porte droite  | 37. <b>Hose</b><br>Manguera<br>Tuyau   |
| 6. <b>Side Table</b><br>Mesa lateral<br>Tablette latérale  | 22. <b>Door Handle</b><br>Asa de la puerta<br>Poignée de la porte  | 38. <b>Right Frame Panel</b><br>Panel derecho del bastidor<br>Panneau du châssis droit |
| 7. <b>Cooking Grate</b><br>Parrilla de cocción<br>Grille de cuisson  | 23. <b>Shroud Hardware</b><br>Accesorios de la cubierta<br>Quincaillerie de l'étui                         | 39. <b>Back Panel</b><br>Panel trasero<br>Panneau arrière                              |
| 8. <b>Burner Tube</b><br>Tubo quemador<br>Tube du brûleur  | 24. <b>Side Burner</b><br>Quegador lateral<br>Brûleur latéral  | 40. <b>Bottom Panel</b><br>Panel inferior<br>Panneau inférieur                         |
| 9. <b>Flavorizer® Bar</b><br>Barra Flavorizer®<br>Barre Flavorizer®  | 25. <b>Side Burner Table</b><br>Mesa del quemador lateral<br>Tablette du brûleur latéral                   | 41. <b>Caster</b><br>Rueda giratoria<br>Roulette                                       |
| 10. <b>Igniter</b><br>Encendedor<br>Allumeur   | 26. <b>Side Burner Gas Line</b><br>Línea de gas del quemador lateral<br>Conduite de gaz du brûleur latéral | 42. <b>Matchstick Holder</b><br>Portacerillos<br>Porte-allumette                       |
| 11. <b>Cookbox</b><br>Caja de cocción<br>Boîtier de cuisson  | 27. <b>Manifold</b><br>Múltiple<br>Collecteur  | 43. <b>Locking Caster</b><br>Rueda giratoria con bloqueo<br>Roulette de verrouillage   |
| 12. <b>Heat Deflector</b><br>Deflector de calor<br>Déflecteur de chaleur   | 28. <b>Heat Shield</b><br>Pantalla contra el calor<br>Protection anti-chaleur                              |  |
| 13. <b>Slide Out Grease Tray</b><br>Bandeja deslizante de grasa<br>Plateau de récupération des graisses amovible | 29. <b>Wire Clips</b><br>Grapas de alambre<br>Pincas en fil de fer   |  |
| 14. <b>Rear Frame Support</b><br>Soporte posterior del bastidor<br>Support de châssis arrière                    | 30. <b>Control Panel</b><br>Tablero de control<br>Panneau de commande                                      |  |
| 15. <b>Disposable Drip Pan</b><br>Bandeja de goteo desechable<br>Egouttoir jetable                               | 31. <b>Igniter Button</b><br>Botón de encendido<br>Bouton de l'allumeur                                    |  |
| 16. <b>Catch Pan</b><br>Plato recolector<br>Egouttoir  | 32. <b>Igniter Module</b><br>Módulo de encendido<br>Module de l'allumeur                                   |  |

**EXPLODED VIEW 330 • DIAGRAMA DE DESPIECE 330 • VUE ECLATEE 330**

Genesis\_330\_NG\_US\_061110



# EXPLODED VIEW LIST 330 • LISTA DEL DIAGRAMA DE DESPIECE 330 • LISTE DE LA VUE ECLATEE 330

- |  |   |   |
|--|---|---|
| 1. <b>Thermometer</b><br>Termómetro<br>Thermomètre   | 17. <b>Catch Pan Holder</b><br>Soporte del plato recolector<br>Support de l'égouttoir   | 33. <b>Igniter Module</b><br>Módulo de encendido<br>Module de l'allumeur                                |
| 2. <b>Thermometer Bezel</b><br>Moldura decorativa del termómetro<br>Collerette du thermomètre                    | 18. <b>Left Frame Panel</b><br>Panel izquierdo del bastidor<br>Panneau de châssis gauche  | 34. <b>Wind Deflector</b><br>Deflector de viento<br>Déflecteur de vent                                  |
| 3. <b>Shroud</b><br>Cubierta<br>Etui   | 19. <b>Front Frame Support</b><br>Soporte delantero del bastidor<br>Support de châssis avant                                      | 35. <b>Control Knob</b><br>Perilla de control<br>Bouton de commande                                     |
| 4. <b>Handle</b><br>Asa<br>Poignée   | 20. <b>Left Door</b><br>Puerta izquierda<br>Porte gauche  | 36. <b>Sear Station® Knob</b><br>Perilla de la estación de dorado Sear Station®<br>Bouton Sear Station® |
| 5. <b>Warming Rack</b><br>Rejilla de calentamiento<br>Grille de maintien au chaud                                | 21. <b>Right Door</b><br>Puerta derecha<br>Porte droite   | 37. <b>Manifold Hose</b><br>Manguera del múltiple<br>Tuyau du collecteur                                |
| 6. <b>Side Table</b><br>Mesa lateral<br>Tablette latérale  | 22. <b>Door Handle</b><br>Asa de la puerta<br>Poignée de porte  | 38. <b>Bulkhead</b><br>Tabique divisorio<br>Tête du brûleur   |
| 7. <b>Cooking Grate</b><br>Parrilla de cocción<br>Grille de cuisson  | 23. <b>Shroud Hardware</b><br>Accesorios de la cubierta<br>Quincaillerie de l'étui  | 39. <b>Hose</b><br>Manguera<br>Tuyau  |
| 8. <b>Burner Tube</b><br>Tubo quemador<br>Tube du brûleur  | 24. <b>Side Burner</b><br>Quemador lateral<br>Brûleur latéral   | 40. <b>Right Frame Panel</b><br>Panel derecho del bastidor<br>Panneau de châssis droit                  |
| 9. <b>Flavorizer® Bar</b><br>Barra Flavorizer®<br>Barre Flavorizer®  | 25. <b>Side Burner Table</b><br>Mesa del quemador lateral<br>Tablette du brûleur latéral  | 41. <b>Back Panel</b><br>Panel trasero<br>Panneau arrière   |
| 10. <b>Igniter</b><br>Encendedor<br>Allumeur   | 26. <b>Side Burner Gas Line</b><br>Línea de gas del quemador lateral<br>Conduite de gaz du brûleur latéral                        | 42. <b>Bottom Panel</b><br>Panel inferior<br>Panneau inférieur  |
| 11. <b>Cookbox</b><br>Caja de cocción<br>Boîtier de cuisson  | 27. <b>Manifold</b><br>Múltiple<br>Collecteur   | 43. <b>Caster</b><br>Rueda giratoria<br>Roulette  |
| 12. <b>Heat Deflector</b><br>Deflector de calor<br>Déflecteur de chaleur   | 28. <b>Heat Shield</b><br>Pantalla contra el calor<br>Protection anti-chaleur   | 44. <b>Matchstick Holder</b><br>Portacerillos<br>Porte-allumette  |
| 13. <b>Slide Out Grease Tray</b><br>Bandeja deslizante de grasa<br>Plateau de récupération des graisses amovible | 29. <b>Wire Clips</b><br>Grapas de alambre<br>Pincas de retenue des câbles  | 45. <b>Locking Caster</b><br>Rueda giratoria con bloqueo<br>Roulette à verrouillage                     |
| 14. <b>Rear Frame Support</b><br>Soporte posterior del bastidor<br>Support du châssis arrière                    | 30. <b>Control Panel</b><br>Tablero de control<br>Panneau de commande   |   |
| 15. <b>Disposable Drip Pan</b><br>Bandeja de goteo desechable<br>Egouttoir jetable                               | 31. <b>Sear Burner Heat Shield</b><br>Pantalla contra el calor del quemador para dorar<br>Protection anti-chaleur du brûleur Sear |   |
| 16. <b>Catch Pan</b><br>Plato recolector<br>Egouttoir  | 32. <b>Igniter Button</b><br>Botón de encendido<br>Bouton de l'allumeur   |   |

# WARRANTY

Weber-Stephen Products LLC (Weber) hereby warrants to the ORIGINAL PURCHASER of this Weber® gas grill that it will be free of defects in material and workmanship from the date of purchase as follows:

Aluminum castings:	25 years (2 years on paint; excludes fading)
Stainless steel shroud:	25 years
Porcelain-enameled shroud:	25 years
Stainless steel burner tubes:	10 years
Stainless steel cooking grates:	5 years no rust through or burn through
Stainless steel Flavorizer® bars:	5 years no rust through or burn through
Porcelain-enameled cast-iron cooking grates:	5 years no rust through or burn through
Porcelain-enameled cooking grates:	3 years no rust through or burn through
Porcelain-enameled Flavorizer® bars:	2 years no rust through or burn through
Infrared rotisserie burner:	2 years
All remaining parts:	2 years

when assembled and operated in accordance with the printed instructions accompanying it. Weber may require reasonable proof of your date of purchase. THEREFORE, YOU SHOULD RETAIN YOUR SALES SLIP OR INVOICE.

This Limited Warranty shall be limited to the repair or replacement of parts that prove defective under normal use and service and which on examination shall indicate, to Weber's satisfaction, they are defective. Before returning any parts, contact the Customer Service Representative in your area using the contact information on our website. If Weber confirms the defect and approves the claim, Weber will elect to replace such parts without charge. If you are required to return defective parts, transportation charges must be prepaid. Weber will return parts to the purchaser, freight or postage prepaid.

This Limited Warranty does not cover any failures or operating difficulties due to accident, abuse, misuse, alteration, misapplication, vandalism, improper installation or improper maintenance or service, or failure to perform normal and routine maintenance, including but not limited to damage caused by insects within the burner tubes, as set out in this owner's manual.

Deterioration or damage due to severe weather conditions such as hail, hurricanes, earthquakes or tornadoes, discoloration due to exposure to chemicals either directly or in the atmosphere, is not covered by this Limited Warranty.

There are no other express warranties except as set forth herein and any applicable implied warranties of merchantability and fitness are limited in duration to the period of coverage of this express written Limited Warranty. Some regions do not allow limitation on how long an implied warranty lasts, so this limitation may not apply to you.

Weber is not liable for any special, indirect or consequential damages. Some regions do not allow the exclusion or limitation of incidental or consequential damages, so this limitation or exclusion may not apply to you.

Weber does not authorize any person or company to assume for it any other obligation or liability in connection with the sale, installation, use, removal, return, or replacement of its equipment; and no such representations are binding on Weber.

This Warranty applies only to products sold at retail.

**WEBER-STEPHEN PRODUCTS LLC**  
Customer Service Center  
1890 Roselle Road, Suite 308  
Schaumburg, IL 60195  
USA

For replacement parts call:  
1-800-446-1071

Visit [www.weber.com](http://www.weber.com)®, select your country of origin, and register your grill today. ♦

# GENERAL INSTRUCTIONS

Your Weber® gas barbecue is a portable outdoor cooking appliance. With the Weber® gas barbecue you can grill, barbecue, roast and bake with results that are difficult to duplicate with indoor kitchen appliances. The closed lid and Flavorizer® bars produce that “outdoor” flavor in the food.

The Weber® gas barbecue is portable so you can easily change its location in your yard or on your patio. Portability means you can take your Weber® gas barbecue with you if you move.

The natural gas supply is easy to use and gives you more cooking control than charcoal fuel.

- These instructions will give you the minimum requirements for assembling your Weber® gas barbecue. Please read the instructions carefully before using your Weber® gas barbecue. Improper assembly can be dangerous.
- Not for use by children.
- If there are local codes that apply to portable gas grills, you will have to conform to them. Installation must conform with local codes or, in the absence of local codes, with either the National Fuel Gas Code, ANSI Z223.1/NFPA 54, Natural Gas and Propane Installation Code, CSA B149.1, or Propane Storage and Handling Code, B149.2, or the Standard for Recreational Vehicles, ANSI A 119.2/NFPA 1192, and CSA Z240 RV Series, Recreational Vehicle Code, as applicable.
- This Weber® gas barbecue is designed for natural (piped in city) gas only. Do not use liquid propane (LP) bottled gas. The valves, orifices and hose are for natural gas only.
- Do not use with charcoal fuel.
- Check that the area under the control panel and the grease tray are free from debris that might obstruct the flow of combustion or ventilation air. ♦

## CANADIAN INSTALLATION

These instructions, while generally acceptable, do not necessarily comply with the Canadian Installation codes, particularly with piping above and below ground. In Canada the installation of this appliance must comply with local codes and/or Standards CAN/CGA-B149.1 (Installation Code for Natural Gas Burning Appliances and Equipment). ♦

## STORAGE AND/OR NONUSE

- The gas must be turned off at the natural gas supply when the Weber® gas barbecue is not in use.
- When the Weber® gas barbecue is stored indoors, the gas supply must be disconnected.
- The Weber® gas barbecue should be checked for gas leaks and any obstructions in the burner tubes before using. (Refer to: “MAINTENANCE/ANNUAL MAINTENANCE”).
- Check that the areas under the control panel and the slide out grease tray are free from debris that might obstruct the flow of combustion or ventilation air.
- The Spider/Insect screens should also be checked for any obstructions. (Refer to: “MAINTENANCE/ANNUAL MAINTENANCE”). ♦

## OPERATING

- ⚠ **WARNING: Only use this barbecue outdoors in a well-ventilated area. Do not use in a garage, building, breezeway or any other enclosed area.**
- ⚠ **WARNING: Your Weber® gas barbecue shall not be used under overhead combustible construction.**
- ⚠ **WARNING: Your Weber® gas barbecue is not intended to be installed in or on recreational vehicles and/or boats.**
- ⚠ **WARNING: Do not use the barbecue within 24 inches of combustible materials. This includes the top, bottom, back or sides of the grill.**
- ⚠ **WARNING: The entire cookbox gets hot when in use. Do not leave unattended.**
- ⚠ **WARNING: Keep any electrical supply cord and the fuel supply hose away from any heated surface.**
- ⚠ **WARNING: Keep the cooking area clear of flammable vapors and liquids, such as gasoline, alcohol, etc., and combustible materials. ♦**

## GAS SUPPLY TESTING

- Disconnect your Weber® gas barbecue when the gas supply is being tested at high pressures. This appliance and its individual shutoff valve must be disconnected from the gas supply piping system during any pressure testing of that system at test pressures in excess of 1/2 psig (3.5 kPa).
- Turn off your Weber® gas barbecue when the gas supply is being tested at low pressures. This appliance must be isolated from the gas supply piping system by closing its individual manual shutoff valve during any pressure testing of the gas supply piping system at the pressure equal to or less than 1/2 psig (3.5 kPa). ♦

# GAS INSTRUCTIONS (MODEL 320)

## INSTALL GAS SUPPLY

### General Specifications For Piping

**Note: Contact your local municipality for building codes regulating outdoor gas barbecue installations. In absence of Local Codes, you must conform to the latest edition of the National Fuel Gas Code: ANSI Z 223.1/NFPA 54, or CAN/CGA-B149.1, Natural Gas and Propane Installation Code. WE RECOMMEND THAT THIS INSTALLATION BE DONE BY A PROFESSIONAL.**

Some of the following are general requirements taken from the latest edition of the National Fuel Gas Code: ANSI Z 223.1/NFPA 54, or CAN/CGA-B149.1, Natural Gas and Propane Installation Code for complete specifications.

- This barbecue is designed to operate at 7" of water column pressure (.2526 psi).
- A manual shut-off valve must be installed outdoors, immediately ahead of the quick disconnect.
- An additional manual shut-off valve indoors should be installed in the branch fuel line in an accessible location near the supply line.
- The quick disconnect connects to a 3/8" NPT thread from the gas source. The quick disconnect fitting is a hand-operated device that automatically shuts off the flow of gas from the source when the barbecue is disconnected.
- The quick disconnect fitting can be installed horizontally, or pointing downward. Installing the fitting with the open end pointing upward can result in collecting water and debris.
- The dust covers (supplied plastic plugs) help keep the open ends of the quick disconnect fitting clean while disconnected.
- Pipe compound should be used which is resistant to the action of natural gas when connections are made.
- The outdoor connector must be firmly attached to rigid, permanent construction.

**⚠ WARNING: Do not route the ten foot hose under a deck. The hose must be visible.**

### Gas Line Piping

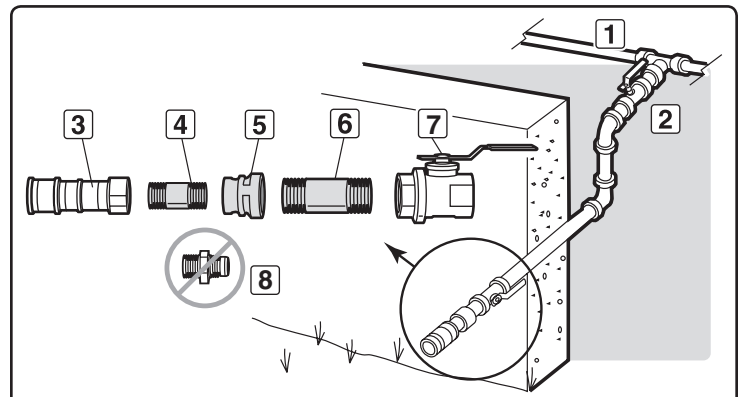
- For the correct size and length of gas line piping refer to the latest edition of the National Fuel Gas Code: ANSI Z 223.1/NFPA 54, or CAN/CGA-B149.1, Natural Gas and Propane Installation Code.
- Gas piping may be copper tubing, type K or L; polyethylene plastic tube, with a minimum wall thickness of .062"; or standard weight (schedule 40) steel or wrought iron pipe.
- Copper tubing must be tin-lined if the gas contains more than 0.3 grams of hydrogen sulfide per 100 cubic feet of gas.
- Plastic tubing is suitable only for outdoor, underground use.
- Gas piping in contact with earth, or any other material which may corrode the piping, must be protected against corrosion in an approved manner.
- Underground piping must have a minimum of 18" cover.

### Test Connections

All connections and joints must be thoroughly tested for leaks in accordance with local codes and all listed procedures in the latest edition of the National Fuel Gas Code: ANSI Z 223.1/NFPA 54, or CAN/CGA-B149.1.

### ⚠ DANGER

**Do not use an open flame to check for gas leaks. Be sure there are no sparks or open flames in the area while you check for gas leaks. This will result in a fire or explosion which can cause serious bodily injury or death and damage to property. ♦**



**This is a typical installation of a Weber® natural gas barbecue. Local codes may require different installations.**

INSIDE WALL			
1	Gas Supply	2	Shut off
OUTSIDE WALL			
3	Quick-Disconnect	4	3/8" Pipe Nipple
5	Reducing Coupling	6	1/2" Pipe Nipple
7	Locking Shut Off	8	Do Not Use



# GAS INSTRUCTIONS (MODEL 330)

## INSTALL GAS SUPPLY

### General Specifications for Piping

**Note: Contact your local municipality for building codes regulating outdoor gas barbecue installations. In absence of Local Codes, you must conform to the latest edition of the National Fuel Gas Code: ANSI Z 223.1/NFPA 54, or CAN/CGA-B149.1, Natural Gas and Propane Installation Code. WE RECOMMEND THAT THIS INSTALLATION BE DONE BY A PROFESSIONAL.**

Some of the following are general requirements taken from the latest edition of the National Fuel Gas Code: ANSI Z 223.1/NFPA 54, or CAN/CGA-B149.1, Natural Gas and Propane Installation Code for complete specifications.

- This barbecue is designed to operate at 7" of water column pressure (.2526 psi).
- A manual shut-off valve must be installed outdoors, immediately ahead of the quick disconnect.
- An additional manual shut-off valve indoors should be installed in the branch fuel line in an accessible location near the supply line.
- The quick disconnect connects to a 1/2" NPT thread from the gas source. The quick disconnect fitting is a hand-operated device that automatically shuts off the flow of gas from the source when the barbecue is disconnected.
- The quick disconnect fitting can be installed horizontally, or pointing downward. Installing the fitting with the open end pointing upward can result in collecting water and debris.
- The dust covers (supplied plastic plugs) help keep the open ends of the quick disconnect fitting clean while disconnected.
- Pipe compound should be used which is resistant to the action of natural gas when connections are made.
- The outdoor connector must be firmly attached to rigid, permanent construction.

**⚠ WARNING: Do not route the 10 foot hose under a deck. The hose must be visible.**

### Gas Line Piping

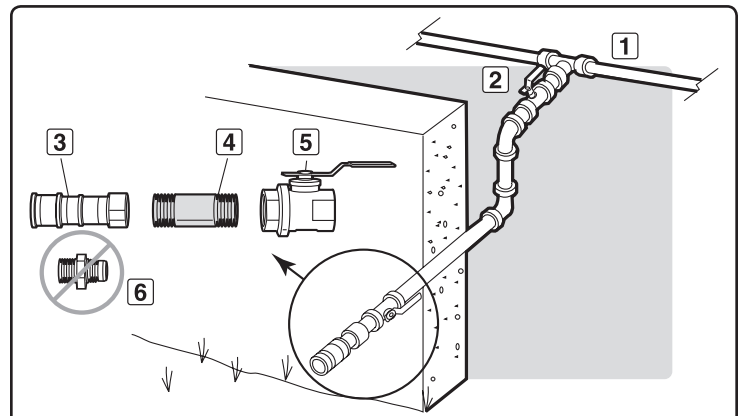
- For the correct size and length of gas line piping refer to the latest edition of the National Fuel Gas Code: ANSI Z 223.1/NFPA 54, or CAN/CGA-B149.1, Natural Gas and Propane Installation Code.
- Gas piping may be copper tubing, type K or L; polyethylene plastic tube, with a minimum wall thickness of .062"; or standard weight (schedule 40) steel or wrought iron pipe.
- Copper tubing must be tin-lined if the gas contains more than 0.3 grams of hydrogen sulfide per 100 cubic feet of gas.
- Plastic tubing is suitable only for outdoor, underground use.
- Gas piping in contact with earth, or any other material which may corrode the piping, must be protected against corrosion in an approved manner.
- Underground piping must have a minimum of 18" cover.

### Test Connections

All connections and joints must be thoroughly tested for leaks in accordance with local codes and all listed procedures in the latest edition of the National Fuel Gas Code: ANSI Z 223.1/NFPA 54, or CAN/CGA-B149.1.

### ⚠ DANGER

**Do not use an open flame to check for gas leaks. Be sure there are no sparks or open flames in the area while you check for gas leaks. This will result in a fire or explosion which can cause serious bodily injury or death and damage to property. ♦**



**This is a typical installation of a Weber® natural gas barbecue. Local codes may require different installations.**

#### INSIDE WALL

1	Gas Supply	2	Shut Off
---	------------	---	----------

#### OUTSIDE WALL

3	Quick-Disconnect	4	1/2" Pipe Nipple
5	Locking Shut Off	6	Do Not Use

# GAS INSTRUCTIONS

## TYPE OF GAS

Your natural gas grill is factory built to operate using natural gas only. Never attempt to operate your grill on gases other than the type specified on the grill rating plates.

Your grill operates at 7" of water column pressure. If replacement of the hose becomes necessary, factory specified parts are required. See your local dealer.

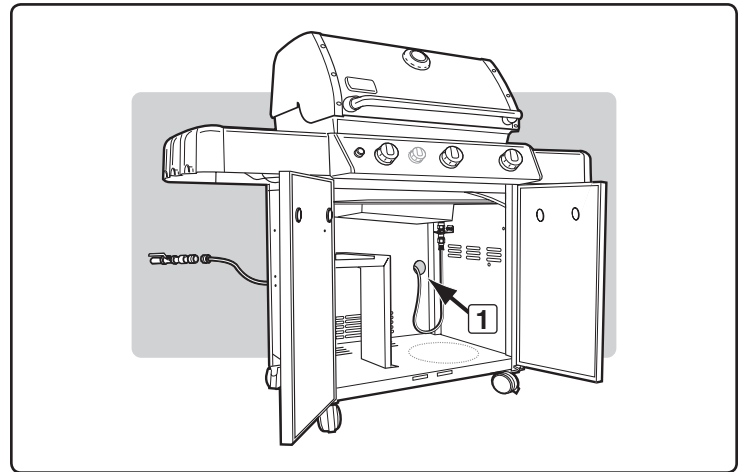
For safety and design reasons, the conversion of a Weber® grill from operation using Natural gas to operation using LP gas is not allowed. ♦

## WHAT IS NATURAL GAS?

Natural gas, often called methane, is a safe modern fuel. Natural gas is supplied by your local utility and should be readily available if your house is already heated with gas. ♦

## NATURAL GAS CONNECTION

Uncoil the NG supply hose and route the end out the access hole at the back panel of the cabinet (1). The 330 unit requires a 1/2" hose as opposed to the 3/8" hose for the 310 & 320. Weber® recommends moving the grill at least 24" from the gas supply and any combustible surfaces. After the gas supply has been run and checked for leaks in accordance to the assembly instructions, you are ready to grill. To connect the hose to the gas supply, pull back the outer fitting, insert the hose fitting all of the way, and release the outer fitting. This process will produce a gas joint. ♦



## LEAK CHECK PREPARATION

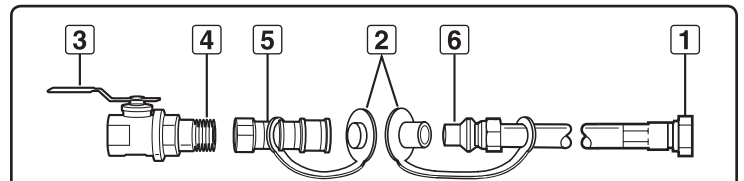
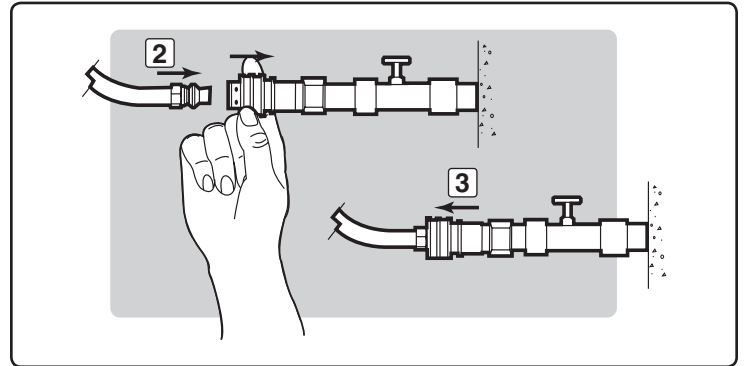
### Check that all Burner Valves are Off

Valves are shipped in the OFF position, but you should check to be sure that they are turned off. Check by pushing in and turning clockwise. If they do not turn, they are off. If they do turn continue turning them clockwise until they stop, then they are off.

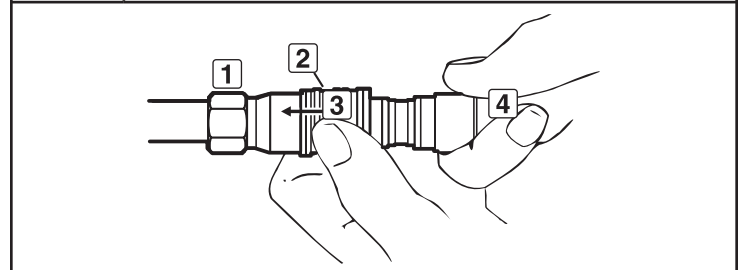
### Check the Flexible Hose to Manifold Connection

The natural gas hose was attached during the manufacturing process. We do recommend that the hose to gas manifold connection be leak tested, following guidelines in this Owner's Guide, prior to barbecue operation.

To perform leak checks: Slide back the collar of the quick disconnect (2). Push male fitting of the hose into the quick disconnect, and maintain pressure. Slide the collar closed (3). If it does not engage or lock, repeat procedure. Gas will not flow unless the quick disconnect is properly engaged. ♦



1	Swivel connection
2	Install covers when hose is disconnected
3	Shut-off valve
4	Coat this pipe nipple with gas-resistant pipe dope
5	Socket
6	Male connection



1	Socket
2	Sleeve
3	Push sleeve back
4	Plug

Push plug until sleeve snaps forward, locking plug in socket.  
(This turns on gas automatically.)

When properly assembled, the plug cannot be removed without pushing the sleeve back.

To disconnect, push sleeve back and pull out plug.  
(This automatically shuts off gas.)

# GAS INSTRUCTIONS

## Remove Control Knobs & Control Panel for Leak Testing

You will need: Phillips & flathead screwdrivers.

- Locate door pin release in door assembly. Using a screwdriver, push down on door pin release (1) until door detaches from frame assembly. Pull top of door away from frame assembly (2) and lift door off bottom adjustable hinge pin.
- Remove control knobs, igniter button, retention nut, and battery (3).
- Remove screws from wind deflector with a Phillips screwdriver (4).
- Tilt end of wind deflector down and slide wind deflector away to remove (5).
- Let igniter module dangle from wires. Do not disconnect (6).
- Remove screws from underside of control panel with Phillips screwdriver (7).
- Lift control panel up slightly, tilt up front edge and gently lift up (8).
- Replace control panel and wind deflector when leak check is completed. ♦

## CHECK FOR GAS LEAKS

### ⚠ DANGER

**Do not use an open flame to check for gas leaks. Be sure there are no sparks or open flames in the area while you check for leaks. Sparks or open flames will result in a fire or explosion, which can cause serious bodily injury or death and damage to property.**

*Note: All factory-made connections have been thoroughly checked for gas leaks. The burners have been flame-tested. As a safety precaution, however, you should recheck all fittings for leaks before using your Weber® gas barbecue. Shipping and handling may loosen or damage a gas fitting.*

- ⚠ **WARNING: The gas connections of your gas grill have been factory tested. We do however recommend that you leak check all gas connections before operating your gas grill.**
- ⚠ **WARNING: Perform these leak checks even if your barbecue was dealer or store assembled.**

If your grill has a side burner, make sure the side burner is turned off.

Turn on gas supply at source.

- ⚠ **WARNING: Do not ignite burners when leak checking.**

You will need: A soap and water solution and a rag or brush to apply it.

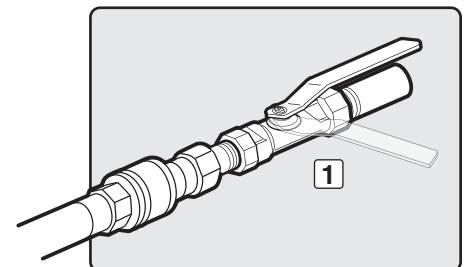
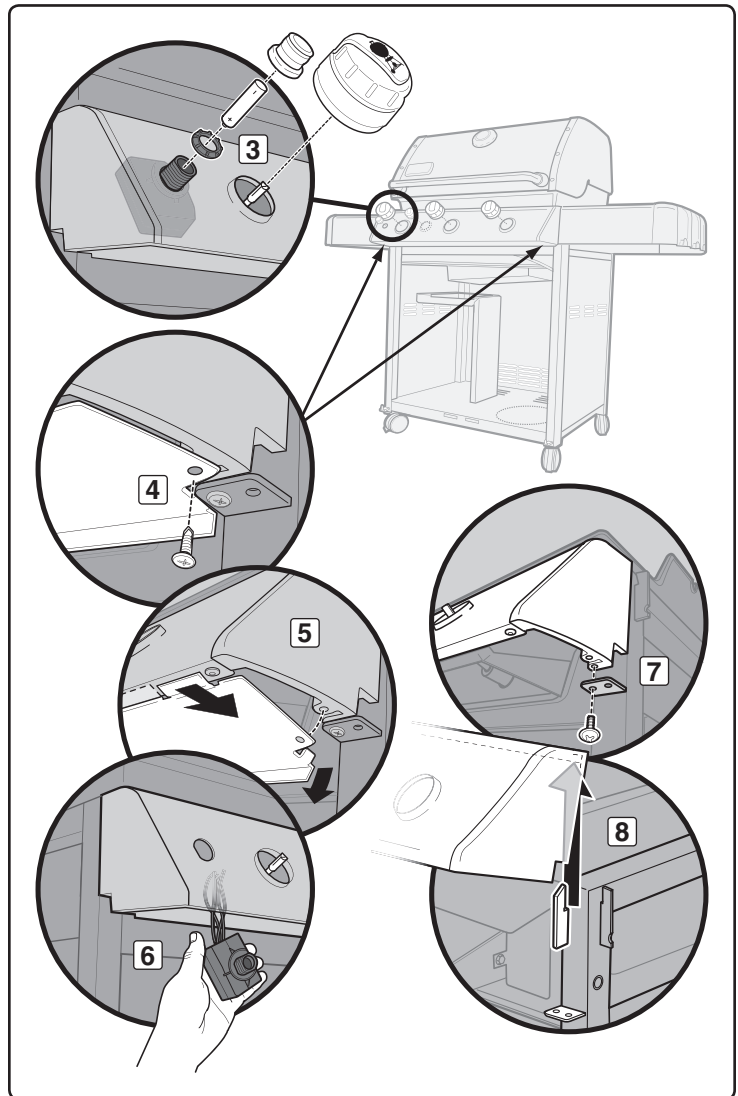
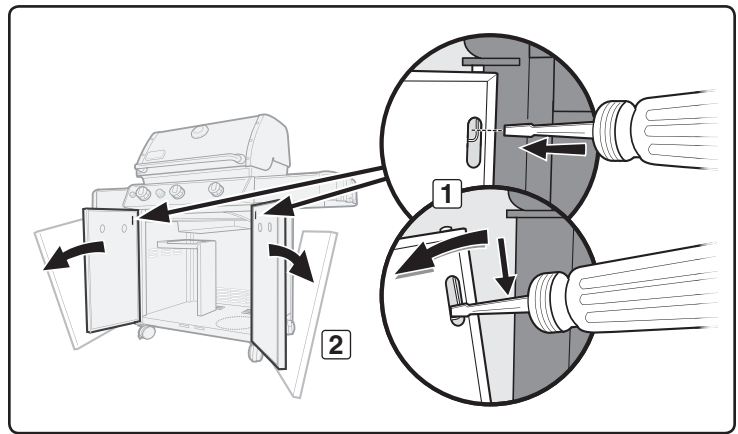
- Mix soap and water.
- Turn on gas supply (1).
- Check for leaks by wetting the fitting with the soap and water solution and watching for bubbles. If bubbles form, or if a bubble grows, there is a leak.

**If there is a leak, turn off the gas and tighten the fitting. Turn the gas back on and recheck with the soap and water solution. If leak does not stop, do not use the barbecue. Contact the Customer Service representative in your area using the contact information on our web site. Log onto [www.weber.com](http://www.weber.com).**

- When leak checking is complete, turn gas supply off at the source and rinse connections with water.

*Note: Since some leak test solutions, including soap and water, may be slightly corrosive, all connections should be rinsed with water after checking for leaks.*

- ⚠ **WARNING: You should check for gas leaks every time you disconnect and reconnect a gas fitting.**



# GAS INSTRUCTIONS

## Check

- A) Flexible Hose to bulkhead connection (1).
- B) Main gas line to bulkhead connection (2).
- C) Main gas line to manifold connections (3).
- D) Side burner gas line to manifold connection (4).
- E) Side burner pipe fitting to side burner cup (5).
- F) Side burner pipe fitting to side burner valve connections (6).

⚠ **WARNING: If there is a leak at connection (1, 2, 3, 4, 5, or 6), retighten the fitting with a wrench and recheck for leaks with soap and water solution. If a leak persists after re-tightening the fitting, turn OFF the gas. DO NOT OPERATE THE GRILL. Contact the Customer Service Representative in your area using the contact information on our web site. Log onto [www.weber.com](http://www.weber.com).**

- G) Side burner quick disconnect connection (7).
- H) Flexible Hose to Quick Disconnect connection (8).
- I) Valves to manifold connections (9).

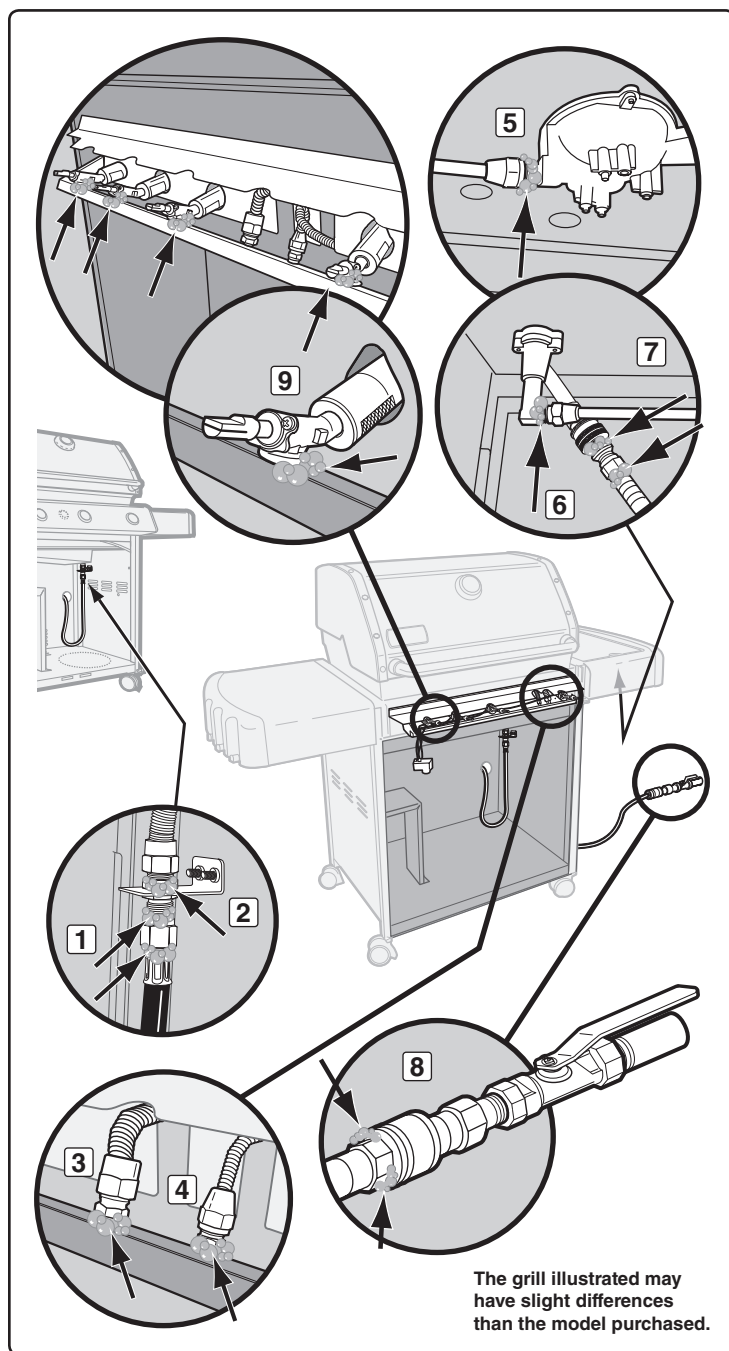
⚠ **WARNING: If there is a leak at connections (7, 8, or 9), turn OFF the gas. DO NOT OPERATE THE GRILL. Contact the Customer Service Representative in your area using the contact information on our web site. Log onto [www.weber.com](http://www.weber.com).**

When leak checks are complete, turn gas supply OFF at the source and rinse connections with water.

## Reinstall Control Panel

You will need: Phillips screwdriver.

- A) Position top edge of control panel on tabs of frame. Push down into position.
- B) Reinstall igniter module.
- C) Slide both shorter wind deflector tabs toward inside edge of control panel while you slide longer tab over outside edge. Seek previous illustrations for reference.
- D) Line up screws with screw holes on both control panel bracket and frame.
- E) Tighten screws.
- F) Place corresponding control knobs onto valve stems. ♦



## BEFORE USING THE GRILL

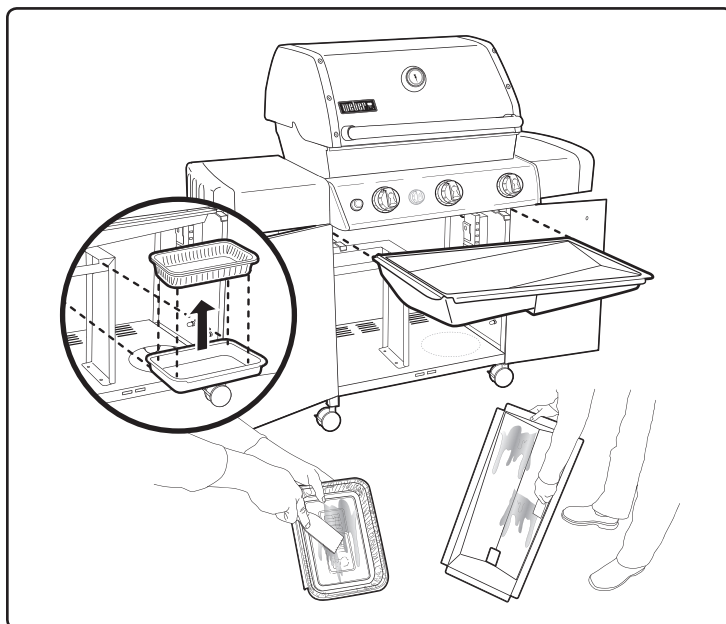
### SLIDE-OUT GREASE TRAY AND DISPOSABLE DRIP PAN

Your grill was built with a grease collection system. Check the slide-out grease tray and disposable drip pan for grease build-up each time you use your grill.

Remove excess grease with a plastic spatula; see illustration. When necessary, wash the grease tray and drip pan with a soap and water solution, then rinse with clean water. Replace the disposable drip pan as needed.

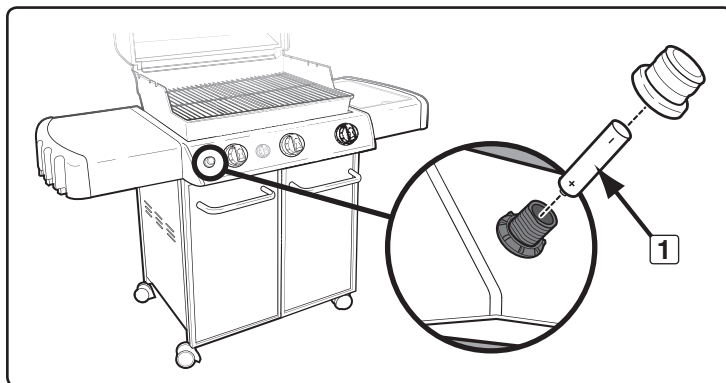
**⚠ WARNING: Check the slide-out grease tray and disposable drip pan for grease build-up before each use. Remove excess grease to avoid a grease fire. A grease fire can cause serious bodily injury or damage to property.**

**⚠ CAUTION: Do not line the slide-out grease tray with aluminum foil. ♦**



### ELECTRONIC IGNITER INSPECTION

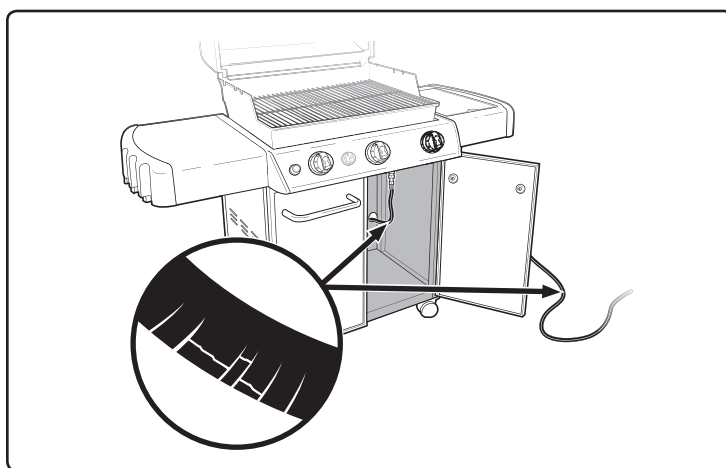
Verify that your AA battery (alkaline only) is in good condition and that it is installed correctly (1). Some batteries have a plastic protective wrap around them. This plastic must be removed. Do not confuse this plastic with the battery label. ♦



### HOSE INSPECTION

The hose should be inspected for any signs of cracking.

**⚠ WARNING: Check hose before each use of barbecue for nicks, cracking, abrasions or cuts. If the hose is found to be damaged in any way, do not use the barbecue. Replace using only Weber® authorized replacement hose. Contact the Customer Service Representative in your area using the contact information on our web site. Log onto [www.weber.com](http://www.weber.com)®. ♦**



# MAIN BURNER IGNITION & USAGE

## MAIN BURNER IGNITION

Note: Summary lighting instructions are inside the left-hand cabinet door.

### ⚠ DANGER

Failure to open the lid while igniting the barbecue's burners, or not waiting five minutes to allow the gas to clear if the barbecue does not light, may result in an explosive flare-up which can cause serious bodily injury or death.

- A) Open the lid (1).
- B) Make sure all burner control knobs are turned off (2). (Push control knob in and turn it clockwise to ensure that it is in the OFF position.)
- C) Turn the gas supply valve on (3).

### Electronic Ignition System

Each control knob operates an individual burner, and each burner ignites with an electronic igniter. The electronic ignition system ignites each burner individually with a spark from the igniter electrode inside the Gas Catcher™ ignition chamber. You generate the energy for the spark by pushing the electronic ignition button. You will hear it clicking.

- D) Ignite the burners individually from left to right. Begin with the burner on the left; push control knob in and turn it to START/Hi (4). Push and hold in the electronic ignition button (5). You will hear it clicking. Check that the left burner is lit by looking through the cooking grates. You should see a flame (6).

### ⚠ WARNING: Do not lean over the open barbecue.

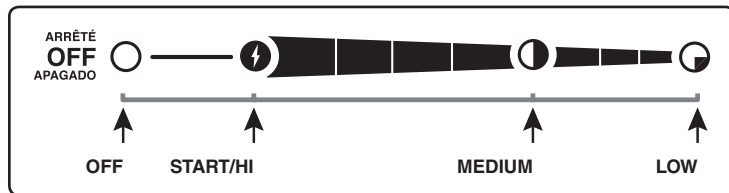
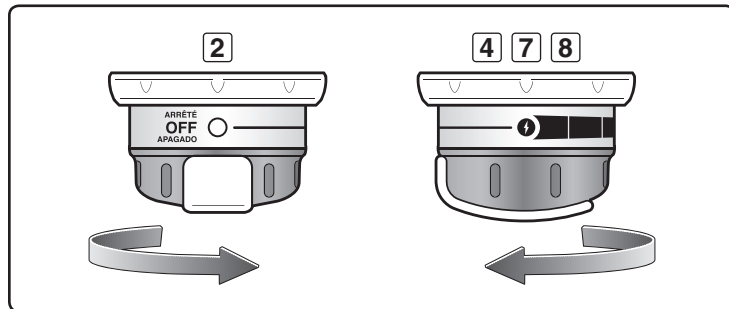
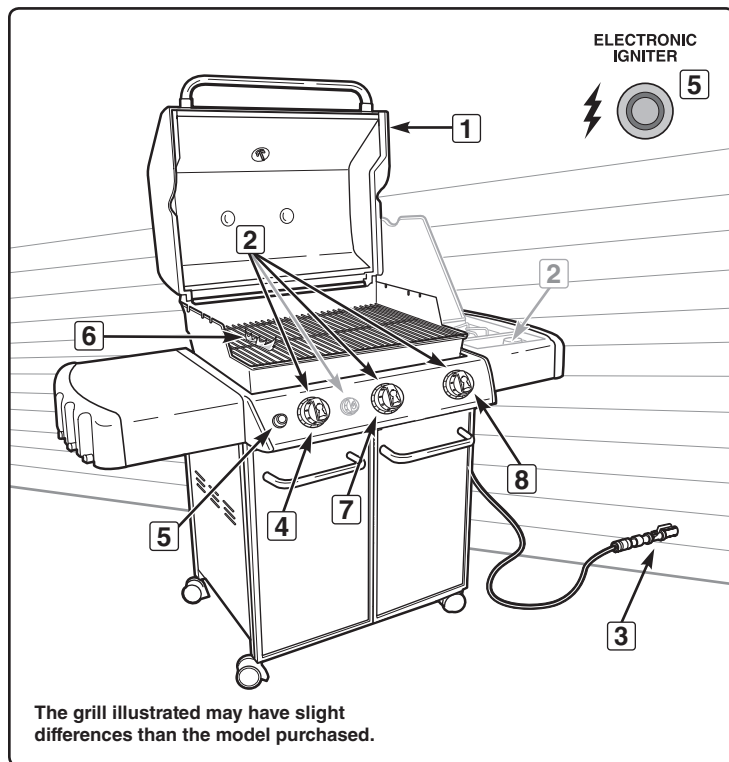
- E) Ignite center burner by pushing control knob in and turning it to START/Hi (7). Then, push and hold in the electronic ignition button (5). You will hear it clicking. Check that the center burner is lit by looking through the cooking grates.
- F) Ignite right burner by pushing control knob in and turning it to START/Hi (8). Push and hold in the electronic ignition button (5). You will hear it clicking. Confirm that the right burner is lit by looking through the cooking grates.

### ⚠ WARNING: Each burner must be ignited individually by pushing the electronic ignition button. Failure to do so may cause a flare-up of gas which can cause serious bodily injury and damage to property.

- ⚠ WARNING: If any burner fails to ignite during lighting, within five seconds, stop, turn the burner control knob to OFF and wait five minutes to allow the gas to clear before you try again or light with a match. ♦

### TO EXTINGUISH

Push in and turn each burner control knob clockwise to the OFF position. Turn gas supply off at the source. ♦





# MAIN BURNER IGNITION & USAGE

## MAIN BURNER MANUAL IGNITION

### ⚠ DANGER

Failure to open the lid while igniting the barbecue's burners, or not waiting five minutes to allow the gas to clear if the barbecue does not light, may result in an explosive flare-up which can cause serious bodily injury or death.

- A) Open the lid (1).
- B) Make sure all burner control knobs are turned off (2). (Push control knob in and turn it clockwise to ensure that it is in the OFF position.)
- C) Turn the gas supply valve on (3).
- D) Ignite the burners individually from left to right. Begin with the burner on the left. Put match in the match holder and strike match. Insert match holder with lit match down through cooking grates, past the Flavorizer® bars and adjacent to the left burner (4). Push control knob in (5) and turn it to START/Hi to ignite the left burner. Check that the left burner is lit by looking through the cooking grates. You should see a flame (6).

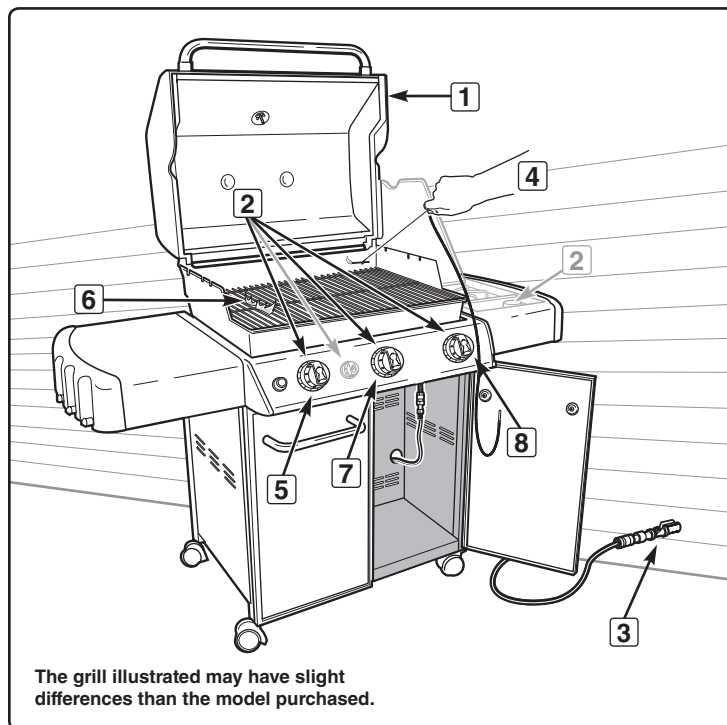
### ⚠ WARNING: Do not lean over the open barbecue.

- E) Ignite center burner by putting match in the match holder and striking match. Then, insert match holder with lit match down through cooking grates, past the Flavorizer® bars and adjacent to the center burner. Push control knob in (7) and turn it to START/Hi to ignite the center burner. Check that the center burner is lit by looking through the cooking grates.
- F) Ignite right burner by putting match in the match holder and striking match. Then, insert match holder with lit match down through cooking grates, past the Flavorizer® bars and adjacent to the right burner. Push control knob in (8) and turn it to START/Hi to ignite the right burner. Check that the right burner is lit by looking through the cooking grates.

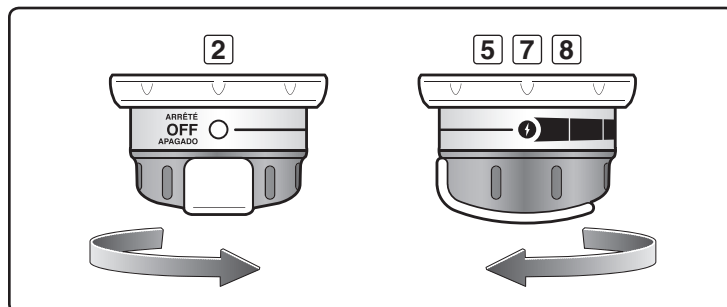
### ⚠ WARNING: If any burner fails to ignite during lighting, within five seconds, stop, turn the burner control knob to OFF and wait five minutes to allow the gas to clear before you try again. ♦

## TO EXTINGUISH

Push in and turn each burner control knob clockwise to the OFF position. Turn gas supply off at the source. ♦



The grill illustrated may have slight differences than the model purchased.



# SEAR STATION® IGNITION & USAGE (MODEL 330)

## SEAR STATION® BURNER IGNITION

The 330 model includes a sear burner, which operates as an individual burner. Ignition of the sear burner is the same as ignition of a main burner. To ignite the sear burner refer to "MAIN BURNER IGNITION". **Follow all steps, dangers, and warnings when igniting the sear burner as you would when igniting a main burner.** ♦

## SEAR STATION® BURNER MANUAL IGNITION

To manually ignite the sear burner, refer to "MAIN BURNER MANUAL IGNITION". **Follow all steps, dangers, and warnings when manually igniting the sear burner as you would when manually igniting a main burner.** ♦

## WHAT IS SEARING?

Searing is a direct grilling technique used on meats, such as steak, poultry parts, fish, and chops. Searing browns the surface of the food at a high temperature. By searing or browning both sides of the meat, you caramelize the food surface, creating a more desirable flavor. Searing will also enhance appearance of the meat with sear marks from the cooking grates. The resulting contrast of textures and flavors can make food more interesting to the palate.

As you gain experience in using your Sear Station®, we encourage you to experiment with different searing times to find results that work best for your taste. ♦

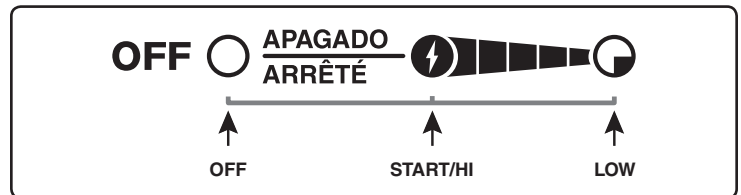
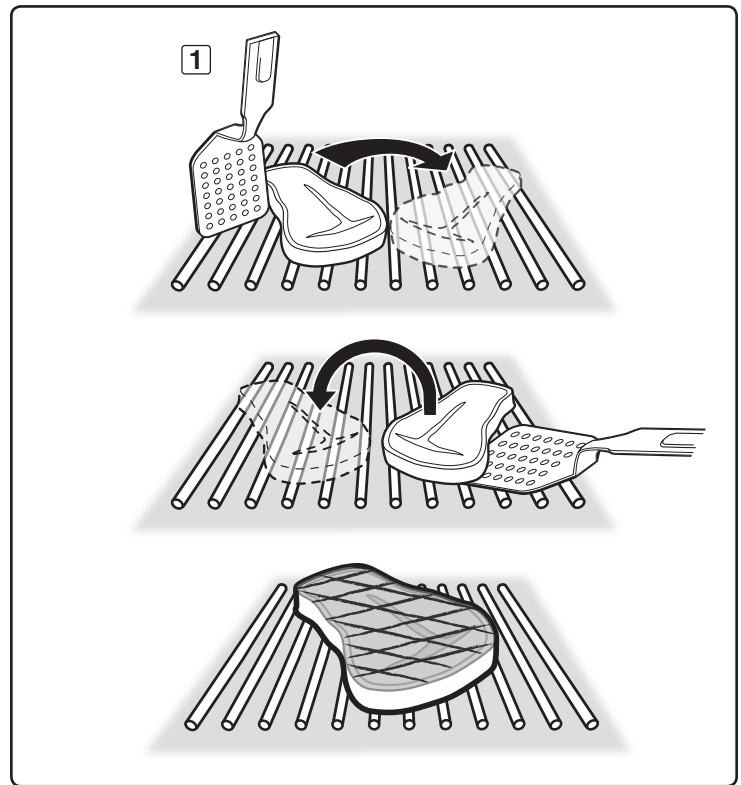
## SEAR STATION® BURNER OPERATION

The Sear Station® burner has OFF, START/HI, and LOW control settings that work with the left and center burners. With the sear and adjacent burners, you can effectively sear meats while using the right burner cooking area for grilling with moderate heat.

Before searing food, you should turn all of the main burners on HI for fifteen minutes to preheat the grill. Once the grill is preheated, turn the right burner to OFF or LOW. Leave the left and center burners on HI and ignite the Sear Station® burner.

Place the meat directly over the Sear Station®. You will sear each side anywhere from one to four minutes, depending on the type and thickness of the meat. You may turn the food a quarter turn to make crossing sear marks (1) before you sear the other side in the same manner.

Once you are done searing it, you can finish grilling the meat by moving it to a more moderate heat over the right burner to achieve the desired doneness. Always grill with the lid closed to allow for maximum heat and to avoid flare-ups. ♦



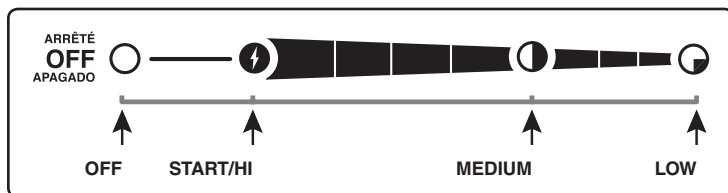
# GRILLING TIPS & HELPFUL HINTS

- Always preheat the grill before cooking. Set all burners on HI heat and close lid; heat for 10 minutes, or until thermometer registers 500° – 550° F (260° – 288°C).
- Sear meats and cook with the lid down for perfectly grilled food every time.
- Grilling times in recipes are based on 70°F (20°C) weather and little or no wind. Allow more cooking time on cold or windy days, or at higher altitudes. Allow less cooking time in extremely hot weather.
- Grilling times can vary because of the weather, or the amount, size, and shape of the food being grilled.
- The temperature of your gas grill may run hotter than normal for the first few uses.
- Grilling conditions may require adjustment of the burner controls to attain the correct cooking temperatures.
- In general, large pieces of meat will require more cooking time per pound than small pieces of meat. Foods on a crowded cooking grate will require more cooking time than just a few foods. Foods grilled in containers, such as baked beans, will require more time if grilled in a deep casserole rather than a shallow baking pan.
- Trim excess fat from steaks, chops, and roasts, leaving no more than a scant ¼ inch (6.4 mm) of fat. Less fat makes cleanup easier, and is a virtual guarantee against unwanted flare-ups.
- Foods placed on the cooking grate directly above burners may require turning or moving to a less hot area.
- Use tongs rather than a fork for turning and handling meats to avoid losing natural juices. Use two spatulas for handling large whole fish.
- If an unwanted flare-up should occur, turn all burners off and move food to another area of the cooking grate. Any flames will quickly subside. After flames subside, relight the grill. **NEVER USE WATER TO EXTINGUISH FLAMES ON A GAS GRILL.**
- Some foods, such as a casserole or thin fish fillets, will require a container for grilling. Disposable foil pans are very convenient, but any metal pan with ovenproof handles can also be used.
- Always be sure the slide-out grease tray and catch pan are clean and free from debris.
- Do not line the slide-out grease tray with foil. This could prevent the grease from flowing into the catch pan.
- Using a timer will help to alert you when “well done” is about to become “overdone.” ♦

## PREHEATING

Your Weber® gas barbecue is an energy-efficient appliance. It operates at an economical low BTU rate. Preheating the grill before grilling is important. Light your grill according to the instructions in this Owner's Guide. To preheat: after lighting, turn all burners to START/HI, close the lid, and heat until the temperature reaches between 500° and 550° F (260° and 290° C), the recommended broiling temperature. This will take 10 to 15 minutes depending on conditions such as air temperature and wind.

You can adjust the individual burners as desired. The control settings are OFF, START/HI, MEDIUM, or LOW.



*Note: For the first few uses of your grill, the temperature inside the cookbox may be hotter than shown in your cookbook because the surfaces of the cookbox are still reflective. Cooking conditions, such as wind and weather, may require adjustment of burner controls to obtain the correct cooking temperatures.*

*Note: If grill loses heat while cooking, refer to the troubleshooting section of this manual.*

**⚠ WARNING: Do not move the Weber® gas barbecue when operating or while barbecue is hot.**

**If burners go out during cooking, turn all burner knobs off and wait five minutes before relighting.** ♦

## COVERED COOKING

All grilling is done with the lid down to provide uniform, evenly circulated heat. With the lid closed, the gas grill cooks much like a convection oven. The thermometer in the lid indicates the cooking temperature inside the grill. All preheating and grilling is done with the lid down. No peeking — heat is lost every time you lift the lid. ♦

## DRIPPINGS AND GREASE

The Flavorizer® bars are designed to “smoke” the correct amount of drippings for flavorful cooking. Excess drippings and grease will accumulate in the catch pan under the slide-out grease tray. Disposable foil drip pans are available that fit the catch pan.

**⚠ WARNING: Check the slide-out grease tray and catch pan for grease build-up before each use. Remove excess grease to avoid a grease fire in the slide-out grease tray.** ♦

## FLAVORIZER® SYSTEM

When meat juices drip from the food onto the specially angled Flavorizer® bars, they create smoke that gives foods an irresistible barbecued flavor. Thanks to the unique design of the burners, Flavorizer® bars and the flexible temperature controls, uncontrolled flare-ups are virtually eliminated, because YOU control the flames. Because of the special design of the Flavorizer® bars and burners, excess fats are directed through the slide-out grease tray into the grease catch pan. ♦

# SIDE BURNER IGNITION & USAGE

## SIDE BURNER IGNITION

Summary lighting instructions are inside the left hand cabinet door.

### ⚠ DANGER

Failure to open the lid while igniting the side burner, or not waiting five minutes to allow the gas to clear if the side burner does not light, may result in an explosive flare-up which can cause serious bodily injury or death.

⚠ **WARNING:** Check hose before each use of barbecue for nicks, cracking, abrasions or cuts. If the hose is found to be damaged in any way, do not use the barbecue. Replace using only Weber® authorized replacement hose. Contact the Customer Service Representative in your area using the contact information on our web site. Log onto [www.weber.com](http://www.weber.com)®.

- A) Open the side burner lid (1).
- B) Check that the side burner valve is turned off (2) (Push control knob in and turn clockwise to ensure that it is in the OFF position), turn all burners not being used to the OFF position (push in and turn clockwise).
- C) Turn the gas supply valve on (3).
- D) Push down and turn the side burner control valve to START/HI (4).
- E) Press the igniter button several times so it clicks each time until you see a flame (5).

⚠ **CAUTION:** Side burner flame may be difficult to see on a bright sunny day.

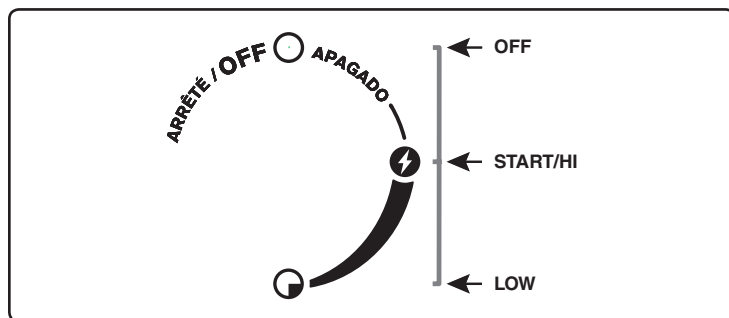
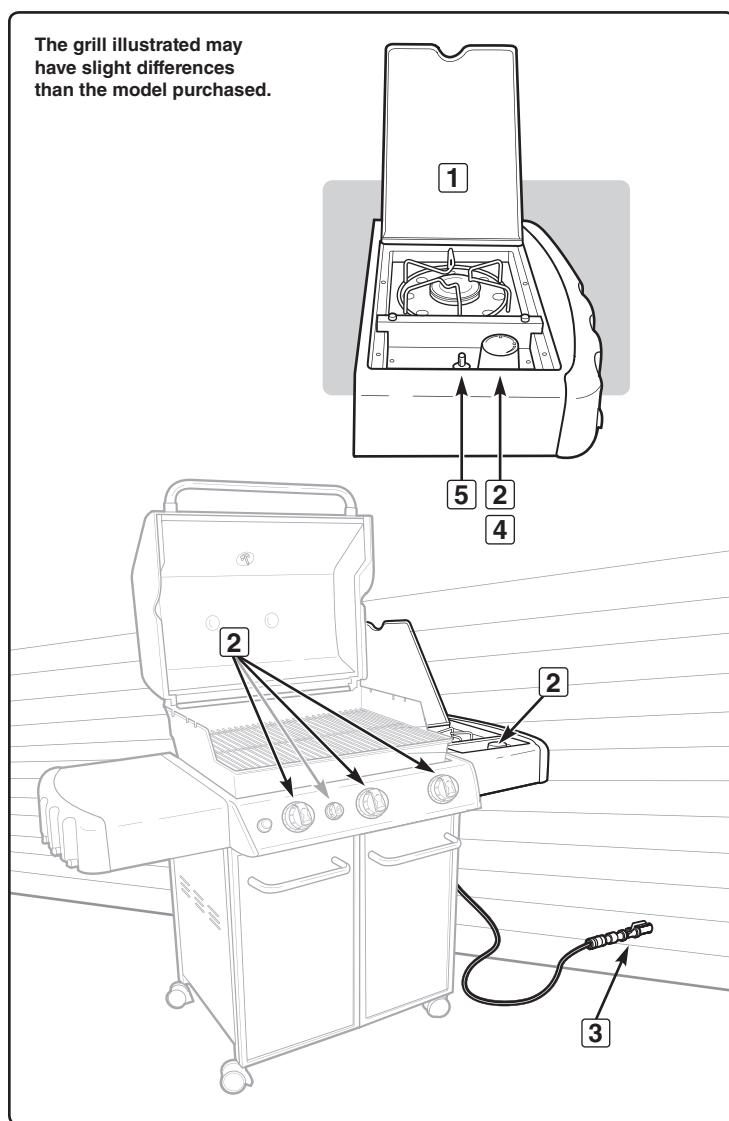
⚠ **WARNING:** If the side burner does not light in five seconds:

- a) Turn off the side burner control valve, main burners and gas supply at source.
- b) Wait five minutes to let the gas clear before you try again, or try lighting with a match (refer to "SIDE BURNER MANUAL IGNITION"). ♦

## TO EXTINGUISH

Push down and turn side burner control knob to the OFF position. Be sure the burner is off and cool before closing the side burner lid. ♦

The grill illustrated may have slight differences than the model purchased.



# SIDE BURNER IGNITION & USAGE

## SIDE BURNER MANUAL IGNITION

### ⚠ DANGER

Failure to open the lid while igniting the side burner, or not waiting five minutes to allow the gas to clear if the side burner does not light, may result in an explosive flare-up that can cause serious bodily injury or death.

- A) Open the side burner lid (1).
- B) Check that the side burner valve is turned off (2) (Push control knob in and turn clockwise to ensure that it is in the OFF position), turn all burners not being used to the OFF position (push in and turn clockwise).
- C) Turn the gas supply valve on (3).
- D) Put match in a match holder and strike match.
- E) Hold match holder and lit match by either side of the side burner (4).
- F) Push down and turn the side burner control valve to START/Hi (5).

⚠ **CAUTION: Side burner flame may be difficult to see on a bright sunny day.**

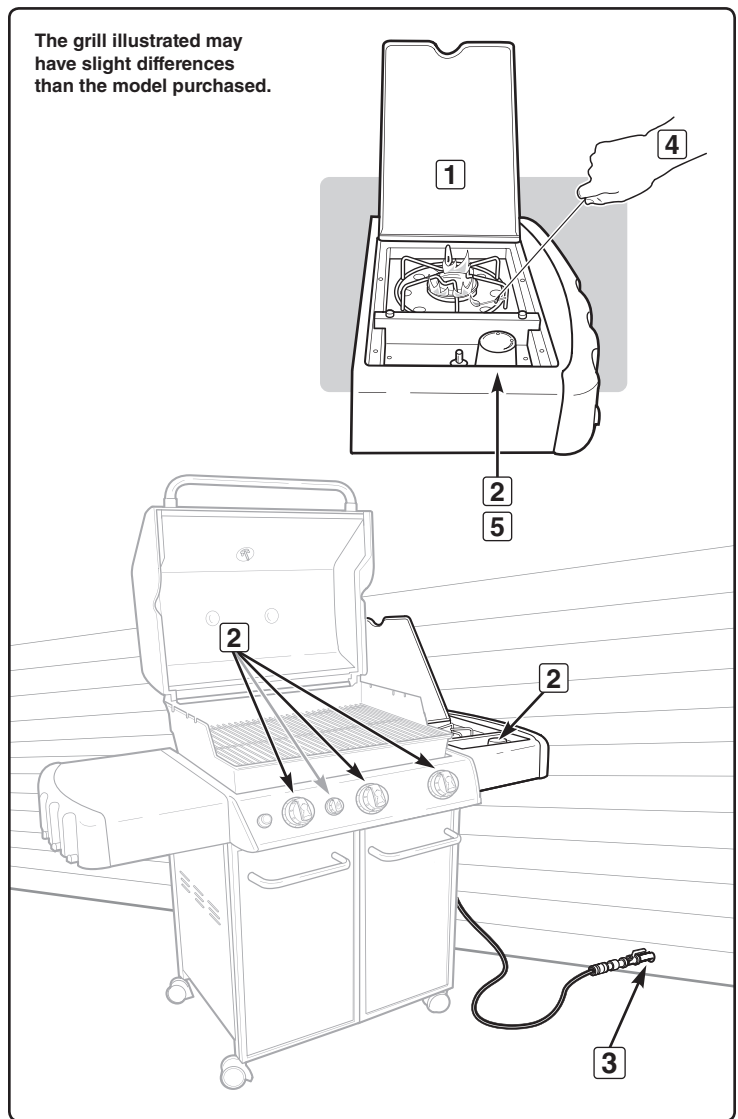
⚠ **WARNING: If the side burner does not light in five seconds:**

- a) Turn off the side burner control valve, main burners and gas supply at source.
- b) Wait five minutes to let the gas clear before you try again. ♦

### TO EXTINGUISH

Push down and turn side burner control knob to the OFF position. Be sure the burner is off and cool before closing the side burner lid. ♦

The grill illustrated may have slight differences than the model purchased.



## TROUBLESHOOTING

PROBLEM	CHECK	SOLUTION
Burners burn with a yellow or orange flame, in conjunction with the smell of gas.	Inspect Spider/Insect screens for possible obstructions. (Blockage of holes.)	Clean Spider/Insect screens. Refer to "ANNUAL MAINTENANCE".
Burner does not light, or flame is low in HI position.	Is fuel hose bent or kinked?	Straighten fuel hose.
Burner does not ignite when you push the igniter button.	Be sure that there is gas flow to the burners by attempting to match light your burners. Refer to "MAIN BURNER MANUAL IGNITION".	If match lighting is successful, the problem lies in the ignition system. Refer to "ELECTRONIC IGNITION SYSTEMS OPERATIONS".
	Is there a fresh battery installed?	Verify that the battery is in good condition and installed correctly. Refer to "ELECTRONIC IGNITER INSPECTION".
	Are the wires connected properly to the ignitor module?	Be sure that wires are correctly inserted into terminals on ignition box. Refer to "ELECTRONIC IGNITION SYSTEMS OPERATIONS".
	Is there plastic wrapping around the new battery?	Remove plastic wrapping.
Experiencing flare-ups: <b>⚠ CAUTION: Do not line the slide out grease tray with aluminum foil.</b>	Are you preheating barbecue in the prescribed manner?	All burners on HI for 10 to 15 minutes for preheating.
	Are the cooking grates, heat deflectors and Flavorizer® bars heavily coated with burned-on grease?	Clean thoroughly. Refer to "CLEANING".
	Is the slide out grease tray dirty and not allowing grease to flow into catch pan?	Clean slide out grease tray.
Burner flame pattern is erratic. Flame is low when burner is on HI. Flames do not run the whole length of the burner tube.	Are burners clean?	Clean burners. Refer to "MAINTENANCE".
Inside of lid appears to be "peeling." (Resembles paint peeling.)	The inside of the lid is porcelain enamel or stainless steel, and is not painted. It cannot "peel". What you are seeing is baked on grease that has turned to carbon and is flaking off. <b>THIS IS NOT A DEFECT.</b>	Clean thoroughly. Refer to "CLEANING".
Cabinet doors are not aligned.	Check the adjustment pin on the bottom of each door.	Loosen adjustment nut/s. Slide door/s until aligned. Tighten nut.
If problems cannot be corrected by using these methods, please contact the Customer Service Representative in your area using the contact information on our web site. Log onto <a href="http://www.weber.com">www.weber.com</a> ®.		

## SIDE BURNER TROUBLESHOOTING

PROBLEM	CHECK	SOLUTION
Side burner does not light.	Is gas supply off?	Turn supply on.
Flame is low in HI position.	Is the fuel hose bent or kinked?	Straighten hose.
Push button ignition does not work.	Does burner light with a match?	If match lights burner, check igniter. Refer to "SIDE BURNER MAINTENANCE".
If problems cannot be corrected by using these methods, please contact the Customer Service Representative in your area using the contact information on our web site. Log onto <a href="http://www.weber.com">www.weber.com</a> ®.		



# MAINTENANCE

## CLEANING

⚠ **WARNING:** Turn your Weber® gas barbecue off and wait for it to cool before cleaning.

⚠ **CAUTION:** Do not clean your Flavorizer® bars or cooking grates in a self-cleaning oven.

**Outside surfaces** — Use a warm soapy water solution to clean, then rinse with water.

⚠ **CAUTION:** Do not use oven cleaner, abrasive cleansers (kitchen cleansers), cleaners that contain citrus products, or abrasive cleaning pads on barbecue or cart surfaces.

**Slide-out grease tray** — Remove excess grease, wash with warm soapy water, then rinse.

⚠ **CAUTION:** Do not line the slide-out grease tray with aluminum foil.

**Flavorizer® bars and cooking grates** — Clean with a suitable stainless steel bristle brush. As needed, remove from grill and wash with warm soapy water, then rinse with water.

For availability of replacement cooking grates and Flavorizer® bars, contact the Customer Service Representative in your area using the contact information on our website. Log onto [www.weber.com](http://www.weber.com)®.

**Catch pan** — Disposable foil trays are available, or you can line the catch pan with aluminum foil. To clean the catch pan, wash with warm soapy water, then rinse.

**Thermometer** — Wipe with warm soapy water; clean with plastic scrub ball.

**Cookbox** — Brush any debris off of burner tubes. DO NOT ENLARGE BURNER PORTS (OPENINGS). Wash inside of cookbox with warm soapy water and a water rinse.

**Inside lid** — While lid is warm, wipe inside with paper towel to prevent grease build-up. Flaking built-up grease resembles paint flakes.

**Stainless steel surfaces** — Wash with a soft cloth and a soap and water solution. Be careful to scrub with the grain direction of the stainless steel.

Do not use cleaners that contain acid, mineral spirits, or xylene. Rinse well after cleaning.

**Preserve your stainless steel** — Your grill or its cabinet, lid, and control panel may be made from stainless steel. Keeping the stainless steel looking its best is a simple matter. Clean it with soap and water, rinse with clear water, and wipe dry. For stubborn particles, a non-metallic brush can be used.

⚠ **IMPORTANT:** Do not use a wire brush or abrasive cleaners on the stainless steel surfaces of your grill as this will cause scratches.

⚠ **IMPORTANT:** When cleaning surfaces be sure to rub/wipe in the direction of the grain to preserve the look of your stainless steel. ♦

## WEBER® SPIDER/INSECT SCREENS

Your Weber® gas barbecue, as well as any outdoor gas appliance, is a target for spiders and other insects. They can nest in the venturi section (1) of the burner tubes. This blocks the normal gas flow, and can cause the gas to flow back out of the combustion air opening. This could result in a fire in and around the combustion air openings, under the control panel, causing serious damage to your barbecue.

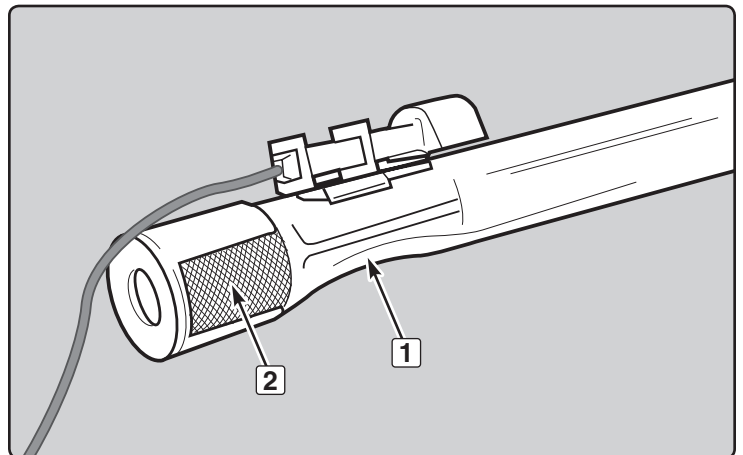
The burner tube combustion air opening is fitted with a stainless steel screen (2) to prevent spiders and other insects access to the burner tubes through the combustion air openings.

We recommend that you inspect the spider/insect screens at least once a year. (Refer to "ANNUAL MAINTENANCE.") Also inspect and clean the the spider/insect screens if any of the following symptoms should ever occur:

- A) Gas is smelled in conjunction with burner flames that appear yellow and lazy.
- B) Barbecue does not reach temperature.
- C) Barbecue heats unevenly.
- D) One or more of the burners do not ignite.

### ⚠ DANGER

Failure to correct the above mentioned symptoms may result in a fire, which can cause serious bodily injury or death, and cause damage to property. ♦



# MAINTENANCE

## BURNER TUBES CLEANING OR REPLACEMENT

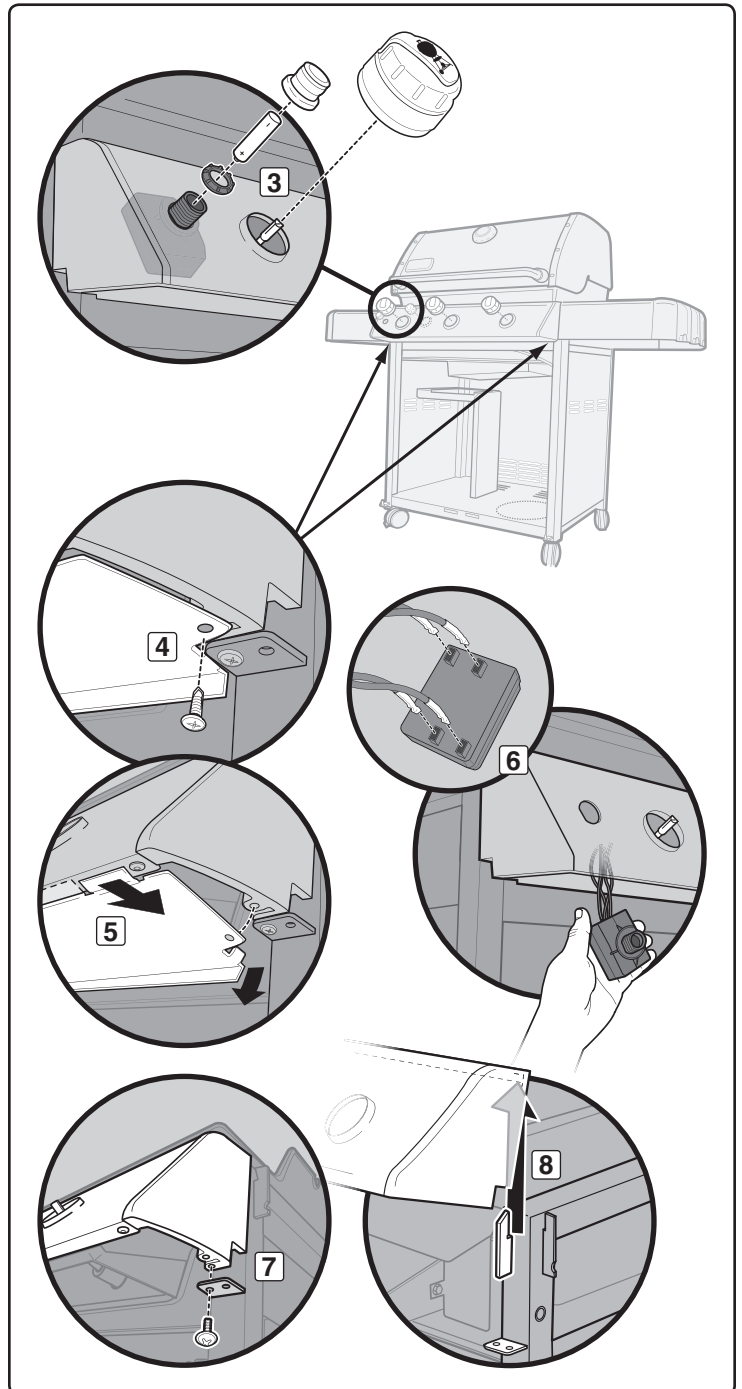
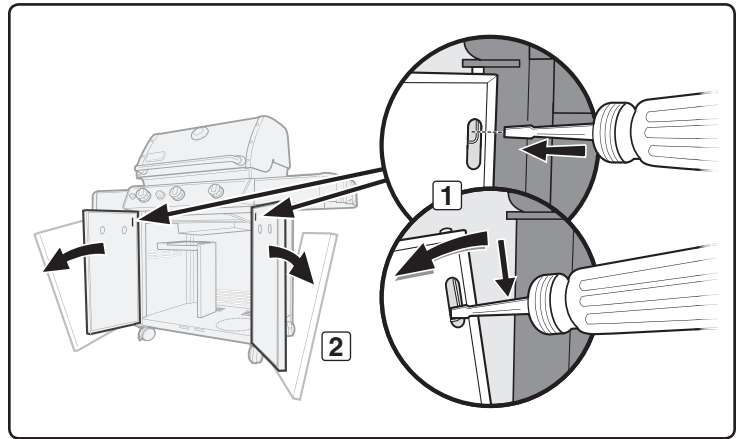
You will need: Phillips screwdriver, flathead screwdriver, and 5/16" nut-driver.

- A) Your Weber® gas barbecue must be OFF and cool.
- B) Turn gas OFF at source.
- C) Remove cookbox components - warming rack, grates and Flavorizer® bars. (Heat deflectors do not need to be removed.)

### Control Panel Removal

To remove control panel:

- A) Locate door pin release in door assembly. Using a screwdriver, push down on door pin release (1) until door detaches from frame assembly. Pull top of door away from frame assembly (2) and lift door off bottom adjustable hinge pin.
- B) Remove control knobs, igniter button, igniter retention nut, and battery (3).
- C) Remove screws from wind deflector (4) located underneath the control panel with a Phillips screwdriver.
- D) Tilt end of wind deflector down and slide away to remove (5).
- E) Remove igniter module from control panel (6) and remove all four wires from module.
- F) Remove screws from underside of control panel with Phillips screwdriver (7).
- G) Lift control panel up slightly, tilt up front edge and gently lift up and away (8).



## Burner Tube Removal

To remove burner tube(s):

- A) Remove igniter wire(s) from igniter clip(s) (9).
- B) Remove screw that holds burner tube to the cookbox using a 5/16" nut-driver (10).
- C) Pull burner tube assembly (this includes igniter) up and out of cookbox (11).  
*Note: 310/320 units will have an additional grounding wire attached to the center burner tube (12).*

## Burner Tube Cleaning

To clean the burner tube(s):

- A) Look inside each burner with a flashlight (13).
- B) Clean the inside of the burners with a wire (14) (a straightened-out coat hanger will work).
- C) Check and clean the air shutter opening at the ends of the burners. Check and clean the valve orifices at the base of the valves. Use a steel bristle brush to clean outside of burners (15). This is to make sure all the burner ports are fully open.

**⚠ CAUTION: Do not enlarge the burner ports when cleaning.**

## Burner Tube Reinstallation

To reinstall burner tubes:

- A) Slide burner tube and igniter wire through hole in cookbox (16). Refer to "ELECTRONIC IGNITION SYSTEM OPERATIONS" for proper burner position.
- B) Align burner tube with valve.

**⚠ CAUTION: The burner openings (17) must be positioned properly over the valve orifices (18).**

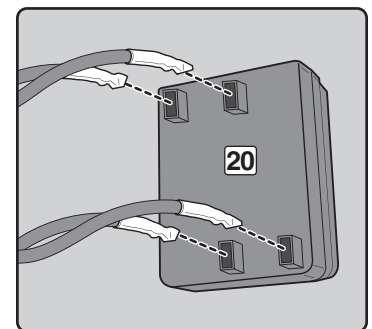
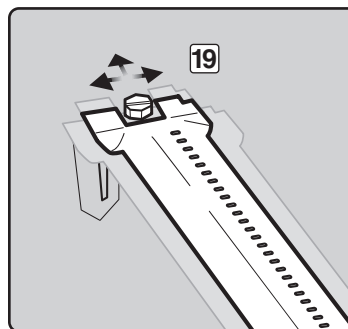
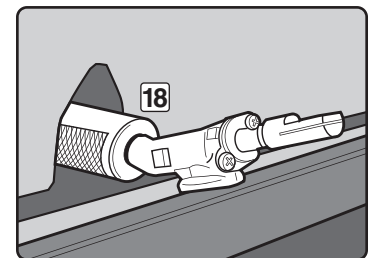
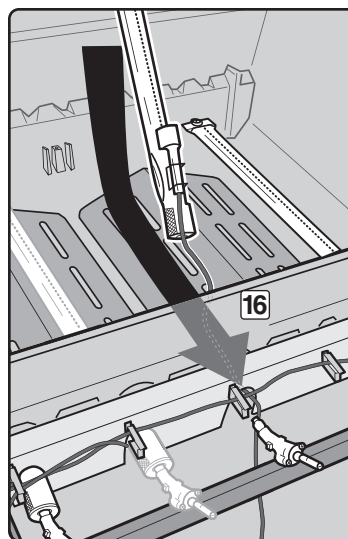
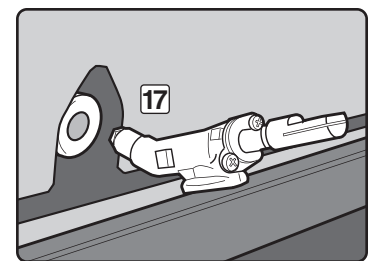
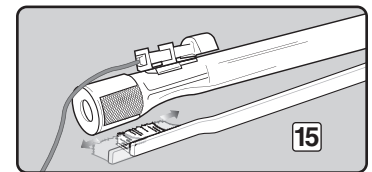
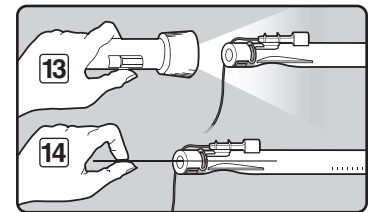
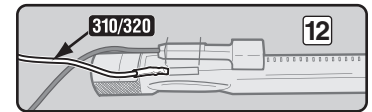
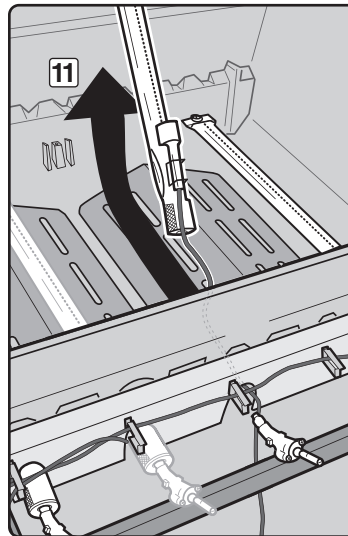
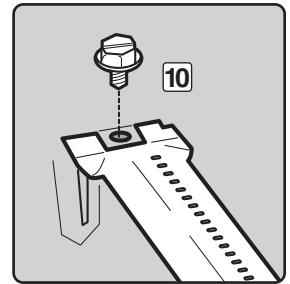
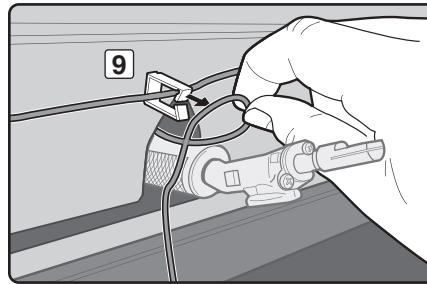
- C) Re-install screw that holds the burner tube to the cookbox using a flathead screwdriver. Burner tube may seem loose (19), when screw is snug. This is normal.
- D) Route wires back through igniter clips. Refer back to figure (9).

**⚠ CAUTION: All wires must be properly routed through wire clips.**

- E) Attach wires to module, following the numerical/color coding (20). Refer to "ELECTRONIC IGNITION SYSTEM OPERATIONS" for proper attachment of wires.

**⚠ WARNING: After reinstalling the gas lines, they should be leak checked with a soap and water solution before using the barbecue. (Refer to "CHECK FOR GAS LEAKS".)**

**⚠ WARNING: Make sure that all parts are assembled and hardware is fully tightened before operating the grill. Your actions, if you fail to follow this Product Warning, may cause a fire, an explosion, or structural failure resulting in serious personal injury or death as well as damage to property. ♦**



# MAINTENANCE

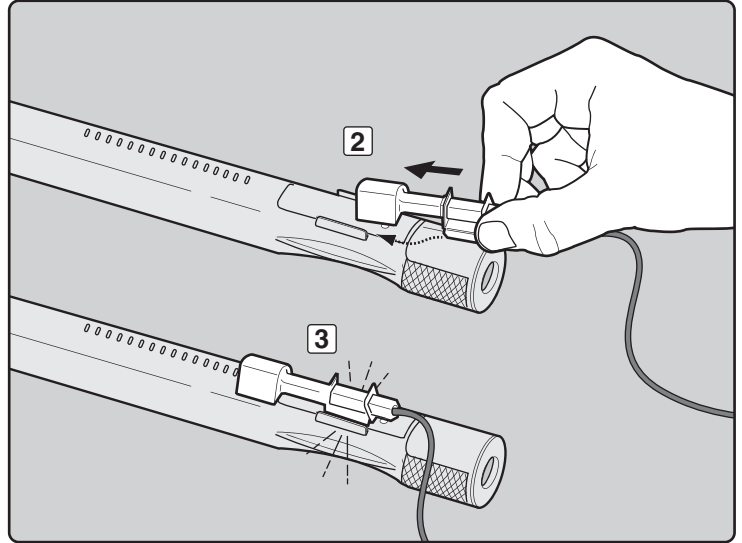
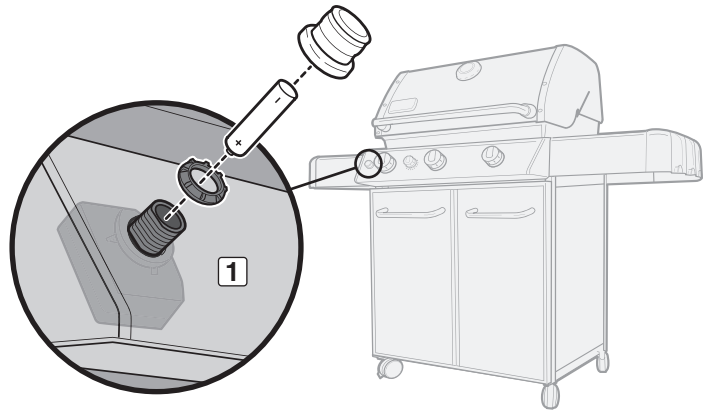
## ELECTRONIC IGNITION SYSTEM OPERATIONS

If the Electronic Ignition System fails to ignite, be sure there is gas flow by attempting to match light your burners. Refer to "MAIN BURNER MANUAL IGNITION". If match lighting is successful, the problem lies in the electronic ignition.

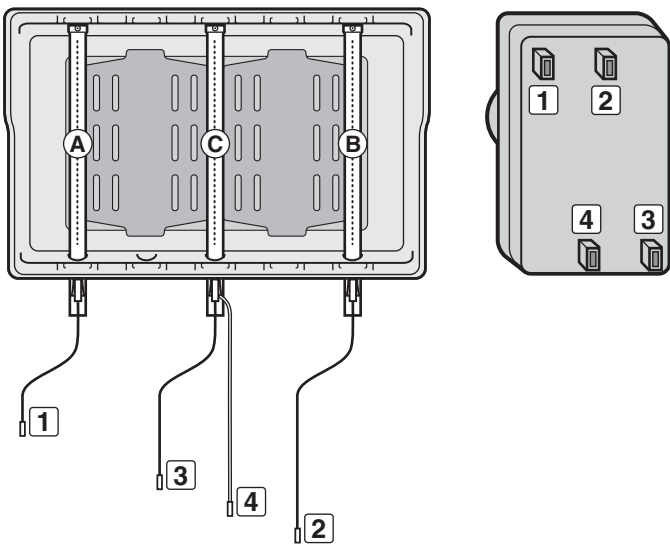
**⚠ WARNING: All gas controls and supply valves should be in the OFF position.**

- Verify that the AA battery (alkaline only) is in good condition and installed correctly (1). Some batteries have a plastic protective wrap around them. This plastic must be removed. Do not confuse this plastic with the battery label.
- Make sure the ignition wires are attached to igniter module properly. Refer to the "IGNITER MODULE WIRE GUIDE" below.
- Make sure the ceramic igniter assembly is fully positioned into burner tube igniter channel (2). If properly positioned, you will hear a snap (3).
- Make sure the Electronic Ignition button is working by listening and looking for sparks at burner.

If the Electronic Ignition System still fails to light, contact the Customer Service Representative in your area using the contact information on our web site. Log onto [www.weber.com](http://www.weber.com)®. ♦

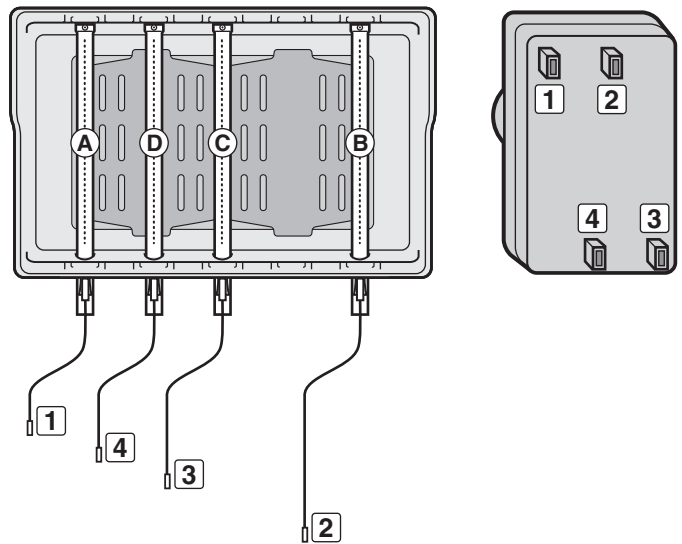


IGNITER MODULE WIRE GUIDE 310/320



Wire End & Terminal Color	Burner Tube
Black (1)	Left Burner (A)
Yellow (2)	Right Burner (B)
Blue (3)	Center Burner (C)
Green (Ground) (4)	Center Burner (C)

IGNITER MODULE WIRE GUIDE 330



Wire End & Terminal Color	Burner Tube
Black (1)	Left Burner (A)
Yellow (2)	Right Burner (B)
Blue (3)	Center Burner (C)
Green (4)	Sear Burner (D)

# MAINTENANCE

## SIDE BURNER MAINTENANCE

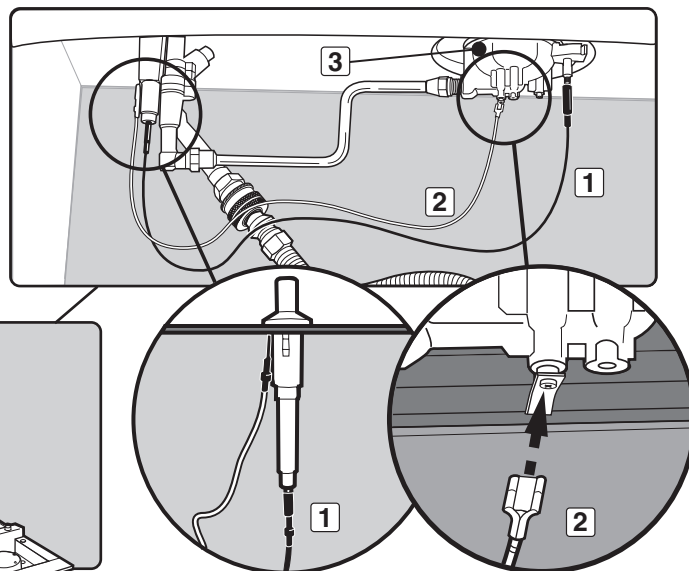
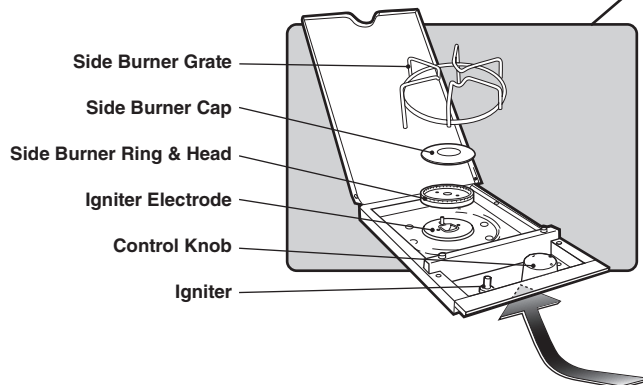
**⚠ WARNING: All gas controls and supply valves should be in the OFF position.**

Make sure black wire is connected between the igniter and electrode.

Make sure white wire is connected between the igniter and grounding clip.

Spark should be a white/blue color, not yellow.

- A) Igniter wire (1)
- B) Ground wire (2)
- C) Burner (3) ♦



## ANNUAL MAINTENANCE

### Inspection and Cleaning of the Spider/Insect Screens

To inspect the spider/insect screens, remove the control panel. If there is dust or dirt on the screens, remove the burners to clean the screens.

Brush the spider/insect screens lightly with a soft bristle brush (i.e., an old toothbrush).

**⚠ CAUTION: Do not clean the spider/insect screens with hard or sharp tools. Do not dislodge the spider/insect screens or enlarge the screen openings.**

Lightly tap the burner to get debris and dirt out of the burner tube. Once the spider/insect screens and burners are clean, replace the burner.

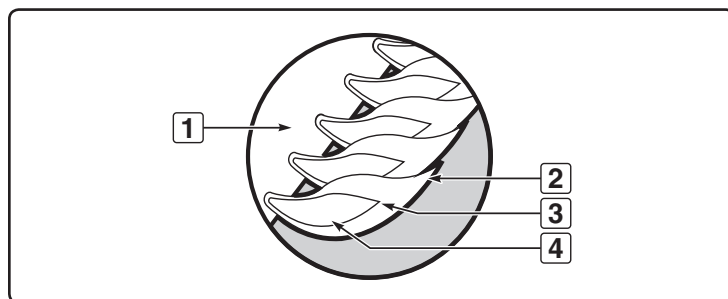
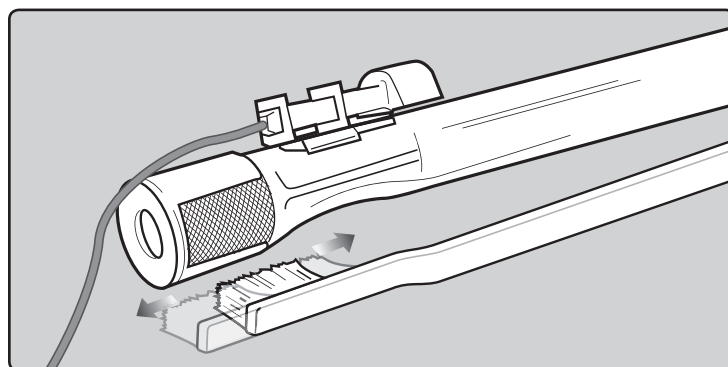
If a spider/insect screen becomes damaged or cannot be cleaned, please contact the Customer Service Representative in your area using the contact information on our web site. Log onto [www.weber.com](http://www.weber.com).

### Burner Flame Pattern

The Weber® gas barbecue burners have been factory set for the correct air and gas mixture. The correct flame pattern is shown in illustration and described below:

- A) Burner tube (1)
- B) Tips occasionally flicker yellow (2)
- C) Light blue (3)
- D) Dark blue (4)

If the flames do not appear to be uniform throughout the burner tube, follow the burner cleaning procedures. ♦



**⚠ ATTENTION: This product has been safety tested and is only certified for use in a specific country. Refer to country designation located on outer carton.**

These parts may be gas carrying or gas burning components. Please contact Weber-Stephen Products LLC, Customer Service Department for genuine Weber-Stephen Products LLC replacement part(s) information.

**⚠ WARNING: Do not attempt to make any repair to gas carrying, gas burning, igniter components or structural components without contacting Weber-Stephen Products LLC, Customer Service Department. Your actions, if you fail to follow this Product Warning, may cause a fire, an explosion, or structural failure resulting in serious personal injury or death as well as damage to property.**



WEBER-STEPHEN PRODUCTS LLC

[www.weber.com](http://www.weber.com)<sup>®</sup>



# GENESIS®



## BARBACOA DE GAS

Guía del Propietario de la  
Barbacoa de Gas Natural

320/330

#56511



**DEBE LEER ESTA GUÍA DEL PROPIETARIO ANTES DE PONER A FUNCIONAR LA BARBACOA DE GAS.**

### ⚠ PELIGRO

Si huele a gas:

1. Cierre el suministro de gas al artefacto.
2. Apague todas las flamas cerrando la valvula general de paso.
3. Abra la tapa.
4. Llame inmediatamente a la central de fugas o a su proveedor de gas.

Una fuga de gas puede provocar un incendio o explosión que puede resultar en lesiones corporales serias o la muerte, o daños a la propiedad.

### ⚠ ADVERTENCIA

1. No almacene gasolina u otros fluidos inflamables en la cercanía de su aparato.
2. Ningún cilindro de propano licuado que no esté conectado para su uso deberá almacenarse cerca de éste o cualquier otro artefacto doméstico.

⚠ **ADVERTENCIA:** Antes de poner a funcionar la asador, siga cuidadosamente todos los procedimientos en este manual para verificar que no existan fugas. Haga esto aun y cuando la asador haya sido ensamblada por el distribuidor.

### AVISO AL INSTALADOR:

Estas instrucciones deben permanecer con el propietario, quien las deberá guardar para un futuro uso.

**ESTE ARTEFACTO A GAS ESTÁ DISEÑADO PARA USARSE SOLAMENTE AL AIRE LIBRE.**

⚠ **ADVERTENCIA:** No encienda este artefacto sin primero leer las secciones de ENCENDIDO DEL QUEMADOR de este manual.



56511 NG  
ESNA - SPANISH NORTH AMERICA

# ADVERTENCIAS

## ⚠ PELIGRO

El hacer caso omiso de los avisos de peligros, advertencias y precauciones contenidos en este Manual del Propietario pudiera resultar en lesiones corporales serias o la muerte, o en un fuego o explosión que cause daños a la propiedad.

## ⚠ ADVERTENCIAS

- ⚠ No almacene un tanque de propano licuado desconectado o de repuesto debajo o cerca de este asador.
- ⚠ El ensamblaje incorrecto puede ser peligroso. Por favor siga cuidadosamente las instrucciones de ensamblaje.
- ⚠ Tras haber estado guardada o sin uso por algún tiempo, antes de usar la barbacoa de gas Weber® verifique que no existan fugas de gas o obstrucciones en el quemador. Vea en este manual las instrucciones para los procedimientos correctos.
- ⚠ No opere la barbacoa de gas Weber® si existe una fuga de gas.
- ⚠ No utilice una llama abierta para comprobar la existencia de fugas de gas.
- ⚠ Nunca debe haber materiales combustibles a una distancia menor de 24 pulgadas (60 cm) de la parte superior, inferior, trasera o lateral de su asador de gas Weber®.
- ⚠ No coloque una funda para barbacoas ni cualquier otra artículo inflamable sobre o dentro del área de almacenaje ubicada debajo del asador.
- ⚠ Nunca permita que los niños usen la barbacoa de gas Weber®. Algunas partes accesibles de la barbacoa pudieran estar muy calientes. Mantenga alejados a los niños pequeños mientras ésta se esté usando.
- ⚠ Usted debe proceder con razonable cuidado al usar su barbacoa de gas Weber®. Ésta estará caliente al cocinarse en ella o al limpiarla, y nunca deberá dejarse desatendida o moverse mientras esté funcionando.
- ⚠ Si llegasen a apagar los quemadores, cierre todas las válvulas de gas. Abra la tapa y espere cinco minutos antes de tratar de volver a encender la barbacoa, usando las instrucciones de encendido en este manual.
- ⚠ No use carbón o piedra pómez en su barbacoa de gas Weber®.
- ⚠ No se incline sobre la barbacoa abierta o coloque las manos o dedos en el borde delantero de la caja de cocción.
- ⚠ Si la grasa llegase a agarrar fuego, apague todos los quemadores y mantenga la tapa cerrada hasta que se haya apagado el fuego.
- ⚠ Al limpiar las válvulas o los quemadores, no ensanche los orificios de las válvulas o las aberturas de los quemadores.
- ⚠ La barbacoa de gas Weber® deberá limpiarse a fondo regularmente.
- ⚠ El propano licuado no es gas natural. El uso de gas natural en una unidad de propano licuado o viceversa, propano licuado en una de gas natural, es peligroso y anulará su garantía.

- ⚠ Mientras opere la barbacoa, utilice guantes resistentes al calor.
- ⚠ Mantenga alejados de todas las superficie calientes a todo cordón eléctrico y a la manguera de suministro de combustible.
- ⚠ Los subproductos de la combustión producidos al usar este producto contienen sustancias químicas que son conocidas por el Estado de la California como causantes de cáncer, defectos de nacimiento, u otros daños reproductivos.
- ⚠ No use esta barbacoa a menos que todas sus partes estén colocadas en su sitio. La unidad debe ensamblarse correctamente de acuerdo con las instrucciones de ensamblaje.
- ⚠ No construya este modelo de barbacoa en ninguna construcción en la que la barbacoa esté incorporada de manera fija o deslizante. El no acatar esta Advertencia pudiera resultar en un fuego o una explosión que pudiera causar daños a la propiedad y heridas corporales graves o la muerte.
- ⚠ Propuesta 65 Advertencia: El manipular los materiales de latón en este producto lo exponen al plomo, una sustancia química conocida por el estado de California como causante de cáncer, de defectos de nacimiento o de otros daños reproductivos.  
(Lávese las manos después de manipular este producto.) ♦

## ÚNICAMENTE UNIDADES DE GAS PROPANO LICUADO

- ⚠ Use el regulador que se suministra con la barbacoa de gas Weber®.
- ⚠ No trate de desconectar el regulador de gas o ninguna conexión de gas mientras esté funcionando la barbacoa.
- ⚠ Un cilindro de propano licuado abollado u oxidado pudiera ser peligroso y deberá ser revisado por su suplidor de propano licuado. No utilice ningún cilindro de propano licuado con una válvula dañada.
- ⚠ Aunque el cilindro de propano licuado pudiera aparentar estar vacío, algo de gas pudiera aún estar presente, por lo que el cilindro deberá transportarse y almacenarse tomando esta posibilidad en consideración.
- ⚠ Si usted ve, huele o escucha el silbido de un escape de gas del cilindro de propano licuado:
  1. Apártese del cilindro de propano licuado.
  2. No trate de corregir el problema usted mismo.
  3. Llame al cuerpo de bomberos local. ♦

# TABLA DE CONTENIDO

<b>DIAGRAMA DE DESPIECE 320</b> .....	<b>4</b>	<b>CONSEJOS PRÁCTICOS PARA ASAR</b> .....	<b>43</b>
<b>LISTA DEL DIAGRAMA DE DESPIECE 320</b> .....	<b>5</b>	PRECALENTADO .....	43
<b>DIAGRAMA DE DESPIECE 330</b> .....	<b>6</b>	COCCIÓN CUBIERTA .....	43
<b>LISTA DEL DIAGRAMA DE DESPIECE 330</b> .....	<b>7</b>	PRINGUES Y GRASA .....	43
<b>ADVERTENCIAS</b> .....	<b>30</b>	EL SISTEMA FLAVORIZER® .....	43
<b>TABLA DE CONTENIDO</b> .....	<b>31</b>	<b>ENCENDIDO Y USO DEL QUEMADOR LATERAL</b> .....	<b>44</b>
<b>GARANTÍA</b> .....	<b>32</b>	ENCENDIDO DEL QUEMADOR LATERAL .....	44
<b>INSTRUCCIONES GENERALES</b> .....	<b>33</b>	PARA APAGAR .....	44
PARA COMPRAS HECHOS EN MÉXICO .....	33	ENCENDIDO MANUAL DEL QUEMADOR LATERAL .....	45
INSTALACIÓN CANADIENSE .....	33	PARA APAGAR .....	45
ALMACENAJE .....	33	<b>RESOLUCIÓN DE PROBLEMAS</b> .....	<b>46</b>
OPERACIÓN .....	33	<b>RESOLUCIÓN DE PROBLEMAS</b>	
PRUEBAS A LA LÍNEA DE SUMINISTRO DE GAS .....	33	<b>CON EL QUEMADOR LATERAL</b> .....	<b>46</b>
<b>INSTRUCCIONES SOBRE EL GAS (MODELO 320)</b> .....	<b>34</b>	<b>MANTENIMIENTO</b> .....	<b>47</b>
INSTALE EL SUMINISTRO DE GAS .....	34	LIMPIEZA .....	47
<b>INSTRUCCIONES SOBRE EL GAS (MODELO 330)</b> .....	<b>35</b>	MALLAS WEBER® CONTRA ARAÑAS E INSECTOS .....	47
INSTALE EL SUMINISTRO DE GAS .....	35	LIMPIEZA O REEMPLAZO DE LOS TUBOS QUEMADORES .....	48
<b>INSTRUCCIONES SOBRE EL GAS</b> .....	<b>36</b>	OPERACIONES DEL SISTEMA DE ENCENDIDO ELECTRÓNICO .....	50
TIPO DE GAS .....	36	MANTENIMIENTO DEL QUEMADOR LATERAL .....	51
¿QUÉ ES EL GAS NATURAL? .....	36	MANTENIMIENTO ANUAL .....	51
CONEXIÓN DEL GAS NATURAL .....	36		
PREPARATIVOS PARA LA BÚSQUEDA DE FUGAS .....	36		
DETECCIÓN DE FUGAS DE GAS .....	37		
<b>ANTES DE UTILIZAR LA BARBACOA</b> .....	<b>39</b>		
BANDEJA CORREDIZA RECOLECTORA DE GRASA Y BANDEJA			
DESECHABLE DE GOTEO .....	39		
INSPECCIÓN DEL ENCENDEDOR ELECTRÓNICO .....	39		
INSPECCIÓN DE LA MANGUERA .....	39		
<b>ENCENDIDO Y USO DEL QUEMADOR PRINCIPAL</b> .....	<b>40</b>		
ENCENDIDO DEL QUEMADOR PRINCIPAL .....	40		
PARA APAGAR .....	40		
ENCENDIDO MANUAL DEL QUEMADOR PRINCIPAL .....	41		
PARA APAGAR .....	41		
<b>ENCENDIDO Y USO DE LA ESTACIÓN DE</b>			
<b>DORADO SEAR STATION® (MODELO 330)</b> .....	<b>42</b>		
ENCENDIDO DEL QUEMADOR DE LA ESTACIÓN DE			
DORADO "SEAR STATION®" .....	42		
ENCENDIDO MANUAL DEL QUEMADOR DE LA ESTACIÓN DE			
DORADO "SEAR STATION®" .....	42		
¿QUÉ SIGNIFICA DORAR? .....	42		
OPERACIÓN DEL QUEMADOR DE LA ESTACIÓN PARA			
DORAR "SEAR STATION®" .....	42		

# GARANTÍA

Weber-Stephen Products LLC (Weber) mediante la presente le garantiza al COMPRADOR ORIGINAL de esta barbacoa de gas Weber® que la misma estará libre de defectos en cuanto a materiales y fabricación a partir de la fecha de compra según lo siguiente:

Piezas coladas de aluminio:	25 años (2 años para la pintura excluyendo la decoloración)
Cubierta de acero inoxidable:	25 años
Cubierta porcelanizada:	25 años
Tubos de acero inoxidable de los quemadores:	10 años
Parrillas de cocción de acero inoxidable:	5 años sin perforación por fuego u oxidación
Barras Flavorizer® de acero inoxidable:	5 años sin perforación por fuego u oxidación
Parrillas de cocción de hierro colado porcelanizado:	5 años sin perforación por fuego u oxidación
Parrillas de cocción porcelanizadas:	3 años sin perforación por fuego u oxidación
Barras Flavorizer® porcelanizadas:	2 años sin perforación por fuego u oxidación
Quemador infrarrojo del asador giratorio:	2 años
Todas la demás partes:	2 años

cuando se ensambla y opera de acuerdo a las instrucciones impresas que la acompañan. Weber pudiese requerir prueba razonable de la fecha de compra. POR LO TANTO, DEBERÁ GUARDAR SU RECIBO O FACTURA DE VENTA.

Esta garantía limitada está limitada a la reparación o reemplazo de piezas que resultasen defectuosas bajo uso y servicio normal y las cuales al examinarse indiquen, a plena satisfacción de Weber, que efectivamente son piezas defectuosas. Antes de devolver cualquier parte, contacte al Representante de Atención al Cliente en su área, cuya información de contacto la encontrará en nuestro sitio web. Si Weber confirma el defecto y aprueba el reclamo, ésta elegirá reparar o reemplazar tal pieza sin cargo alguno. Si usted tiene que retornarnos las partes defectuosas, los gastos de transporte deben ser prepagados. Weber retornará las partes al comprador con transporte o franqueo prepagado.

Esta Garantía Limitada no cubre ninguna falla o problema de operación a causa de accidentes, abuso, mal uso, alteración, uso en aplicaciones indebidas, vandalismo, instalación inapropiada o mantenimiento o servicio inapropiados, o por no llevar a cabo el mantenimiento normal y rutinario, entre los que se incluyen, pero sin limitación, los daños causados por insectos dentro de los tubos quemadores, según se detalla en este manual del propietario.

Esta Garantía Limitada no cubre el deterioro o daños a causa de condiciones de tiempo inclemente tales como granizo, huracanes, terremotos o tornados ni tampoco la decoloración por exposición a sustancias químicas bien sea por contacto directo o por que las mismas contenidas en la atmósfera.

No existe ninguna otra garantía expresa que no sean las las acá indicadas y cualesquier garantías implícitas de comerciabilidad y aptitud de uso están limitadas en duración al tiempo de cobertura de esta expresa Garantía Limitada por escrito. Algunas regiones no permiten limitación alguna en el tiempo que una garantía implícita pueda durar, por lo que esta limitación pudiera no aplicarle a usted.

Weber no se hace responsable de cualesquier daños especiales, indirectos o emergentes. Algunas regiones no permiten la exclusión o limitación de daños incidentales o emergentes, por lo que esta limitación o exclusión pudieran no aplicarle a usted.

Weber no autoriza a persona o empresa alguna a asumir en su nombre ninguna obligación o responsabilidad en relación con la venta, instalación, uso, retiro, devolución o reemplazo de sus equipos, y ninguna tal representación será vinculante para Weber.

Esta Garantía aplica solo a aquellos productos vendidos al por menor.

**WEBER-STEPHEN PRODUCTS LLC**  
Customer Service Center  
1890 Roselle Road, Suite 308  
Schaumburg, IL 60195  
USA

Para partes de repuesto llame a:  
1-800-446-1071  
[www.weber.com](http://www.weber.com)

Para compras hechas en México  
**WEBER-STEPHEN PRODUCTS S.A. de C.V.**  
Marcella No. 338,  
Colonia Americana  
Guadalajara, Jalisco  
44160 México,  
C.P. México

Para partes de repuesto llame a:  
(52) (33) 3615-0736  
[www.weber.com](http://www.weber.com)

Visite [www.weber.com](http://www.weber.com), seleccione su país de origen y registre su barbacoa hoy. ♦

La barbacoa de gas Weber® es un aparato portable para cocinar al aire libre. Con la barbacoa de gas Weber® usted puede asar de manera convencional, a la barbacoa, y al horno con unos resultados que son difíciles de duplicar con los artefactos de cocina de la casa. La tapa cerrada y las barras Flavorizer® le dan a la comida ese sabor a "aire libre".

La barbacoa de gas Weber® es portable por lo que usted puede reubicarla fácilmente de sitio en su jardín o patio. La portabilidad significa que, si usted se muda, se puede llevar su barbacoa de gas Weber® consigo.

El suministro de gas natural es fácil de usar y le da a usted más control al cocinar que el carbón.

- Estas instrucciones le indicarán los requisitos mínimos para ensamblar su barbacoa de gas Weber®. Por favor lea cuidadosamente las instrucciones antes de utilizar su barbacoa de gas Weber®. Un ensamblaje incorrecto puede ser peligroso.
- No debe ser usado por niños.
- Si hubiesen códigos locales que aplicasen a las barbacoas de gas portátil, usted deberá acatarlos. La instalación debe cumplir con los códigos locales o, en ausencia de estos, bien sea con el "Código nacional de gas combustible", ANSI Z223.1/NFPA 54, el "Código de instalaciones de gas natural y propano", CSA B149.1, o el "Código de manipulación y almacenaje de propano", B149.2, o la "Norma para vehículos recreativos", ANSI A 119.2/NFPA 1192, y CSA Z240 RV Series, "Código para vehículos recreativos", según corresponda.
- Esta barbacoa de gas Weber® está diseñada para ser usada solamente con gas natural (en las ciudades, suministrado a través de tuberías). No utilice gas propano licuado embotellado. Las válvulas, los orificios, la manguera y regulador son aptos solamente para el gas natural.
- No la use con carbón.
- Asegúrese de que el área debajo del panel de control y la bandeja inferior no tenga desechos que pudiesen obstruir el flujo de aire de combustión o de ventilación. ♦

## PARA COMPRAS HECHAS EN MÉXICO

Si hubiese códigos locales que se aplicasen a los asadores de gas portátiles, usted deberá cumplir con la más reciente edición de NOM. ♦

## INSTALACIÓN CANADIENSE

Esta instrucciones, aunque de manera general son aceptables, no necesariamente cumplen con los códigos de instalación canadienses, en particular en lo que respecta a tuberías bajo y sobre tierra. En Canadá la instalación de este artefacto debe cumplir con los códigos locales y/o la Norma CSA-B149,1 ("Código de instalación de artefactos y equipos que queman gas natural"). ♦

## ALMACENAJE

- Cuando la barbacoa de gas Weber® no esté usándose, el suministro de gas debe cerrarse.
- Cuando la barbacoa de gas Weber® sea almacenada bajo techo, el suministro de gas debe desconectarse.
- Antes de usarla, se deberá verificar que la barbacoa de gas Weber® no tenga fugas de gas ni obstrucciones en los tubos de los quemadores. (Vea la sección: "MANTENIMIENTO/MANTENIMIENTO ANUAL").
- Asegúrese de que el área debajo del panel de control y la bandeja inferior corrediza no tengan desechos que pudiesen obstruir el flujo de aire de combustión o de ventilación.
- También deberá revisarse que la malla contra arañas e insectos no esté obstruida. (Vea la sección: "MANTENIMIENTO/MANTENIMIENTO ANUAL"). ♦

## OPERACIÓN

- ⚠ **ADVERTENCIA:** Sólo use esta barbacoa al aire libre en un área bien ventilada. No la use en un garaje, edificio, pasadizo techado o en cualquier otra área cerrada.
- ⚠ **ADVERTENCIA:** Su barbacoa de gas Weber® no deberá usarse debajo de un techo combustible.
- ⚠ **ADVERTENCIA:** La barbacoa de gas Weber® no ha sido diseñada para instalarse en o sobre vehículos y/o botes recreativos.
- ⚠ **ADVERTENCIA:** No utilice la barbacoa a una distancia menor de 24 pulgadas (60 cm) de materiales combustibles. Esto incluye la parte superior, inferior, posterior y lateral de la barbacoa.
- ⚠ **ADVERTENCIA:** La caja de cocción entera se calienta al usarse. No la deje desatendida.
- ⚠ **ADVERTENCIA:** Mantenga a cualquier cordón eléctrico y a la manguera de suministro de gas alejados de toda superficie caliente.
- ⚠ **ADVERTENCIA:** Mantenga el área de cocinar libre de vapores y líquidos inflamables tales como gasolina, alcohol, etc., y de materiales combustibles. ♦

## PRUEBAS A LA LÍNEA DE SUMINISTRO DE GAS

- Desconecte su barbacoa de gas Weber® cuando se esté probando el suministro de gas altas presiones. El artefacto y su válvula de cierre propia deben ser desconectados del sistema de tubería del suministro de gas durante cualesquiera pruebas a presión de dicho sistema en exceso de 1/2 psig (3.5 kPa).
- Apague la barbacoa de gas Weber® cuando se esté probando el suministro de gas a bajas presiones. Durante cualquier prueba de presión del sistema de tuberías de suministro de gas a una presión igual o menor de 1/2 psig (3.5 kPa), este artefacto debe aislarse de dicho sistema de tuberías cerrando la válvula de cierre manual del mismo. ♦

# INSTRUCCIONES SOBRE EL GAS (MODELO 320)

## INSTALE EL SUMINISTRO DE GAS

### Especificaciones Generales para la Tubería

**Nota: Póngase en contacto con la municipalidad de la localidad para obtener los códigos de construcción que regulan las instalaciones al aire libre de las barbacoas a gas. Si no existiesen códigos locales, usted deberá cumplir con la más reciente edición del Código Nacional de Gas Combustible: "National Fuel Gas Code", ANSI Z 223.1/NFPA 54, o el CAN/CGA-B149.1, "Natural Gas and Propane Installation Code". RECOMENDAMOS QUE ESTA INSTALACIÓN SEA EJECUTADA POR UN PROFESIONAL.**

Algunos de los siguientes requisitos generales han sido tomados de la más reciente edición del Código Nacional de Gas Combustible: para las especificaciones completas consulte el "National Fuel Gas Code", ANSI Z 223.1/NFPA 54, o el CAN/CGA-B149.1, "Natural Gas and Propane Installation Code".

- Esta barbacoa está diseñada para operar a una presión de 7" de columna de agua (0,2526 psi).
- Se debe instalar una válvula de cierre manual al aire libre, inmediatamente arriba de la desconexión rápida.
- Una válvula de cierre manual adicional bajo techo deberá instalarse en la línea auxiliar de gas combustible en una ubicación accesible cerca de la línea de suministro.
- La desconexión rápida se conecta a una rosca 3/8" NPT en la fuente de gas. La desconexión rápida es un dispositivo operado manualmente que cierra automáticamente el flujo de gas proveniente de la fuente de suministro cuando se desconecta la barbacoa.
- La desconexión rápida puede instalarse horizontalmente o cara abajo. El instalar la conexión con el extremo abierto boca arriba puede resultar en que se acumulen agua y sociedad en la misma.
- Las tapas antipolvo (suministrada como tapones plásticos) ayudan a mantener limpios los extremos abiertos de la desconexión rápida mientras esta está desconectada.
- Se deberá utilizar un compuesto para el pegado de las tuberías que sea resistente a la acción del gas natural cuando se haga la conexión al gas.
- Las conexiones de gas al aire libre deben fijarse firmemente a elementos de construcción rígidos y permanentes.

**⚠ ADVERTENCIA: No pase la manguera de diez pies debajo de una terraza. La manera debe estar visible.**

### Tubería de la Línea de Gas

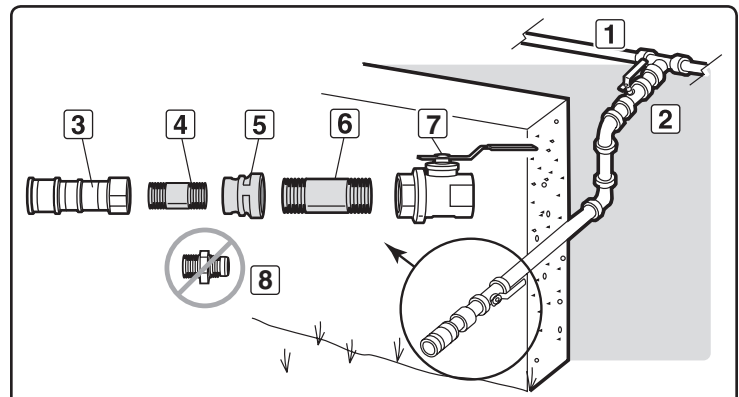
- Para el tamaño y longitud correctos de la tubería de la línea de gas consulte la más reciente edición del Código Nacional de Gas Combustible: "National Fuel Gas Code", ANSI Z 223.1/NFPA 54, o el CAN/CGA-B149.1, "Natural Gas and Propane Installation Code".
- La tubería de gas puede ser tubería de cobre, tipo K o L; tubos de plástico polietileno, con un espesor de pared mínimo de 0,062"; o tubos de peso estándar (cédula 40) de acero o hierro dulce.
- Los tubos de cobre deberán estar revestidos de estaño si el gas contiene más de 0,3 gramos de sulfuro de hidrógeno por 100 pies cúbicos de gas.
- La tubería de plástico es sólo apta para uso subterráneo en exteriores.
- La tubería de gas en contacto con la tierra, o cualquier otro material que pudiera corroerla, debe estar protegida contra la corrosión de una manera aprobada.
- Las tuberías bajo tierra deberá tener una cubierta mínima de 18".

### Pruebe las Conexiones

Para asegurarse de que no existan fugas, se deben probar a fondo todas las conexiones y uniones de acuerdo con los códigos locales y todos los procedimientos indicados en la más reciente edición del Código Nacional de Gas Combustible: ANSI Z 223.1/NFPA 54, o CAN/CGA-B149.1.

### ⚠ PELIGRO

**No utilice una llama abierta para comprobar si existen fugas de gas. Asegúrese de que no haya chispas o llamas abiertas en el área mientras comprueba si existen fugas. Chispas o llamas causarían un fuego o explosión, las cuales pueden causar serias lesiones corporales o la muerte, y daños a la propiedad. ♦**



Esta es una instalación típica para una barbacoa Weber® de gas natural. Los códigos locales podrían exigir instalaciones diferentes.

### LADO INTERNO DE LA PARED

1	Suministro de gas	2	Válvula de cierre
---	-------------------	---	-------------------

### LADO EXTERNO DE LA PARED

3	Desconexión rápida	4	Niple de tubería de 3/8"
5	Acoplamiento reductor	6	Niple de tubería de 1/2"
7	Válvula de cierre con bloqueo	8	No usar



# INSTRUCCIONES SOBRE EL GAS (MODELO 330)

## INSTALE EL SUMINISTRO DE GAS

### Especificaciones generales para la tubería

**Nota:** Póngase en contacto con la municipalidad de la localidad para obtener los códigos de construcción que regulan las instalaciones al aire libre de las barbacoas a gas. Si no existiesen códigos locales, usted deberá cumplir con la más reciente edición del Código Nacional de Gas Combustible: "National Fuel Gas Code", ANSI Z 223.1/NFPA 54, o el CAN/CGA-B149.1, "Natural Gas and Propane Installation Code". **RECOMENDAMOS QUE ESTA INSTALACIÓN SEA EJECUTADA POR UN PROFESIONAL.**

Algunos de los siguientes requisitos generales han sido tomados de la más reciente edición del Código Nacional de Gas Combustible: para las especificaciones completas consulte el "National Fuel Gas Code", ANSI Z 223.1/NFPA 54, o el CAN/CGA-B149.1, "Natural Gas and Propane Installation Code".

- Esta barbacoa está diseñada para operar a una presión de 7" de columna de agua (0,2526 psi).
- Se debe instalar una válvula de cierre manual al aire libre, inmediatamente arriba de la desconexión rápida.
- Una válvula de cierre manual adicional bajo techo deberá instalarse en la línea auxiliar de gas combustible en una ubicación accesible cerca de la línea de suministro.
- La desconexión rápida se conecta a una rosca 1/2" NPT en la fuente de gas. La desconexión rápida es un dispositivo operado manualmente que cierra automáticamente el flujo de gas proveniente de la fuente de suministro cuando se desconecta la barbacoa.
- La desconexión rápida puede instalarse horizontalmente o cara abajo. El instalar la conexión con el extremo abierto boca arriba puede resultar en que se acumulen agua y sociedad en la misma.
- Las tapas antipolvo (suministrada como tapones plásticos) ayudan a mantener limpios los extremos abiertos de la desconexión rápida mientras esta está desconectada.
- Se deberá utilizar un compuesto para el pegado de las tuberías que sea resistente a la acción del gas natural cuando se haga la conexión al gas.
- Las conexiones de gas al aire libre deben fijarse firmemente a elementos de construcción rígidos y permanentes.

**⚠ ADVERTENCIA: No pase la manguera de 10 pies (3 m) debajo de una terraza. La manera debe estar visible.**

### Tubería de la línea de gas

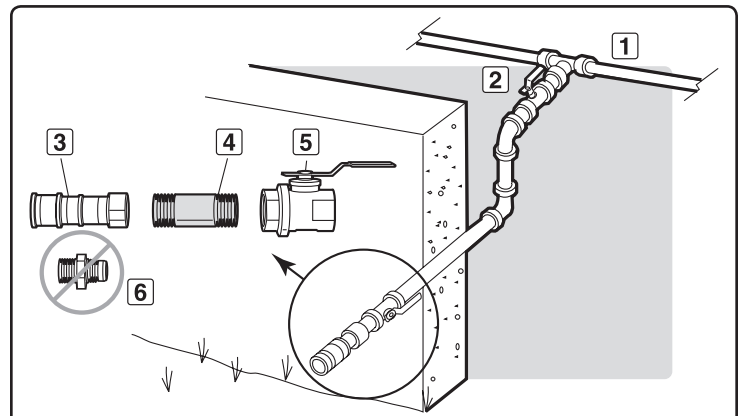
- Para el tamaño y longitud correctos de la tubería de la línea de gas consulte la más reciente edición del Código Nacional de Gas Combustible: "National Fuel Gas Code", ANSI Z 223.1/NFPA 54, o el CAN/CGA-B149.1, "Natural Gas and Propane Installation Code".
- La tubería de gas puede ser tubería de cobre, tipo K o L; tubos de plástico polietileno, con un espesor de pared mínimo de 0,062"; o tubos de peso estándar (cédula 40) de acero o hierro dulce.
- Los tubos de cobre deberán estar revestidos de estaño si el gas contiene más de 0,3 gramos de sulfuro de hidrógeno por 100 pies cúbicos de gas.
- La tubería de plástico es sólo apta para uso subterráneo en exteriores.
- La tubería de gas en contacto con la tierra, o cualquier otro material que pudiera corroerla, debe estar protegida contra la corrosión de una manera aprobada.
- Las tuberías bajo tierra deberá tener una cubierta mínima de 18".

### Pruebe las conexiones

Para asegurarse de que no existan fugas, se deben probar a fondo todas las conexiones y uniones de acuerdo con los códigos locales y todos los procedimientos indicados en la más reciente edición del Código Nacional de Gas Combustible: ANSI Z 223.1/NFPA 54, o CAN/CGA-B149.1.

### ⚠ PELIGRO

**No utilice una llama abierta para comprobar si existen fugas de gas. Asegúrese de que no haya chispas o llamas abiertas en el área mientras comprueba si existen fugas. Chispas o llamas causarían un fuego o explosión, las cuales pueden causar serias lesiones corporales o la muerte, y daños a la propiedad. ♦**



Esta es una instalación típica para una barbacoa Weber® de gas natural. Los códigos locales podrían exigir instalaciones diferentes.

### LADO INTERNO DE LA PARED

1	Suministro de gas	2	Válvula de cierre
---	-------------------	---	-------------------

### LADO EXTERNO DE LA PARED

3	Desconexión rápida	4	Niple de tubería de 1/2"
5	Válvula de cierre con bloqueo	6	No usar



# INSTRUCCIONES SOBRE EL GAS

## TIPO DE GAS

Su barbacoa de gas natural está construida de fábrica para operar solamente con gas natural. Nunca trate de operar la barbacoa con otros gases diferentes a los indicados en la placa de especificaciones de la misma.

Su barbacoa funciona a una presión de 7" de columna de agua. Si fuese necesario reemplazar la manguera, se requerirán partes especificadas por la fábrica. Consulte con su distribuidor local.

Por razones de seguridad y de diseño, no se permite la conversión de una barbacoa Weber® que opera con gas natural para que opere con propano licuado. ♦

## ¿QUÉ ES EL GAS NATURAL?

El gas natural, a menudo denominado metano, es un combustible moderno seguro. El gas natural es suministrado por empresas de servicio público y debería tenerlo disponible si la calefacción de su casa funciona con gas. ♦

## CONEXIÓN DEL GAS NATURAL

Desembobine la manguera de suministro de gas natural y pase el extremo de la misma a través del orificio de acceso en el panel posterior del gabinete (1). Tenga en cuenta que el modelo 330 requiere una manguera de 1/2", mientras que los modelos 310 y 320 requieren una manguera de 3/8". Weber® recomienda mover la barbacoa por los menos 60 cm del punto de suministro de gas o de cualquier superficie combustible. Después de haber tendido el suministro de gas y haberse verificado la ausencia de fugas de acuerdo con las instrucciones de ensamblaje, usted estará listo para empezar a asar. Para conectar la manguera al suministro de gas, hale hacia atrás el adaptador externo, inserte el adaptador de la manguera totalmente hacia adentro, y suelte el adaptador externo. Este proceso producirá una junta de gas. ♦

## PREPARATIVOS PARA LA BÚSQUEDA DE FUGAS

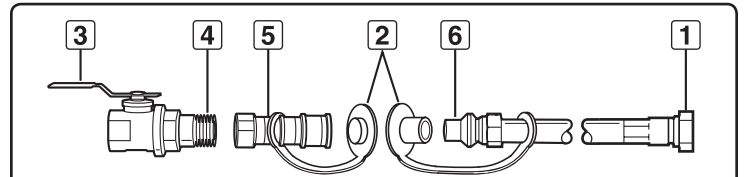
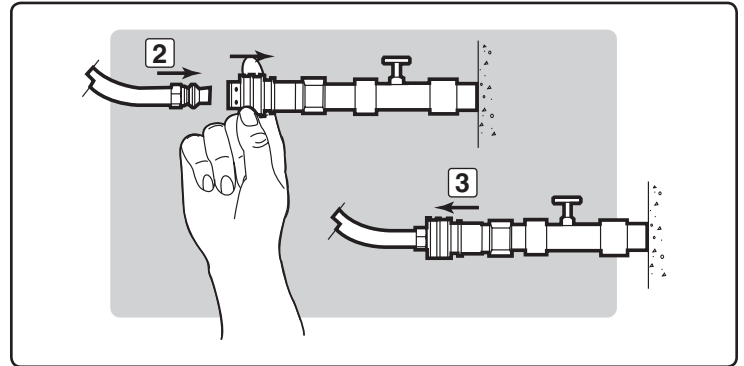
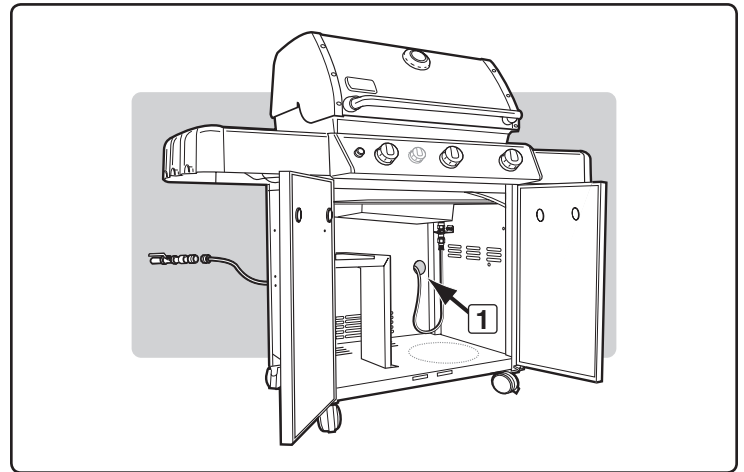
### Verifique que todas las Válvulas de los Quemadores estén Cerradas

Las válvulas son despachadas de fábrica en la posición OFF (cerradas), pero usted debe verificarlo para asegurarse de que efectivamente estén cerradas. Verifíquelo presionándolas hacia abajo y girándolas hacia la derecha. Si no giran, están cerradas. Proceda al paso siguiente. Si sí girasen, continúe girándolas hacia la derecha hasta que paren; allí estarán cerradas.

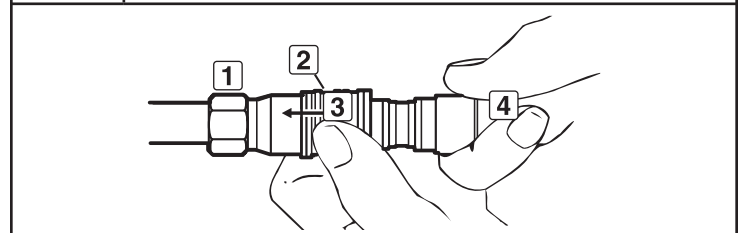
### Revise la Manguera Flexible que va a la cConexión del Múltiple

La manguera de gas natural fue conectada durante el proceso de fabricación. Antes de poner a funcionar la barbacoa, recomendamos que a la manguera que va a la conexión del múltiple de gas se le hagan pruebas de fuga de gas siguiendo las pautas indicadas en este Manual del Propietario.

Para realizar la comprobación de que no existen fugas: Deslice hacia atrás el collarín de la desconexión rápida (2). Empuje la conexión macho del regulador dentro de la desconexión rápida y mantenga la presión. Deslice el collarín hasta cerrarlo (3). Si no se engancha o tranca, repite el procedimiento. El gas no fluirá a menos que la desconexión rápida este debidamente conectada. ♦



1	Conexión giratoria
2	Instale las cubiertas cuando la manguera esté desconectada.
3	Válvula de cierre
4	Recubra este niple con barniz de tubería resistente al gas
5	Receptáculo
6	Conexión macho



1	Receptáculo
2	Manga
3	Empuje la manga hacia atrás
4	Enchufe

Empuje el enchufe hasta que la manga salte hacia adelante inmovilizándolo en el receptáculo. (Esto automáticamente abre el gas.)

Cuando está correctamente ensamblado, el enchufe no puede sacarse sin empujar la manga hacia atrás.

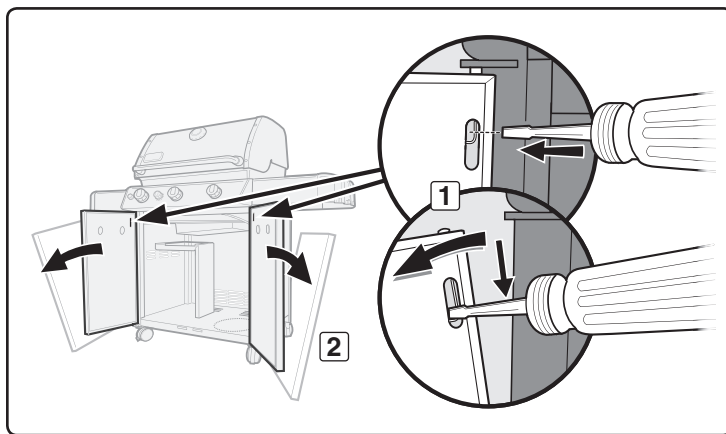
Para desconectar, empuje la manga hacia atrás y hale el enchufe hacia afuera. (Esto automáticamente cierra el gas.)

# INSTRUCCIONES SOBRE EL GAS

## Retire las Perillas de Control y el Panel de Control para las Pruebas de Detección de Fugas

Necesitará: destornilladores Phillips y de punta plana.

- A) Ubique el pasador de desenganche en el ensamble de la puerta. Con un destornillador, presione el pasador de desenganche de la puerta (1) hasta lograr que la puerta se desprenda del ensamble del bastidor. Hale la parte superior de la puerta fuera del ensamble del bastidor (2) y levante la puerta fuera del pasador de bisagra ajustable inferior.
- B) Retire las perillas de control, el botón de encendido, la tuerca de retención y la batería (3).
- C) Saque los tornillos del deflector de viento con un destornillador Phillips (4).
- D) Incline el extremo del deflector de viento hacia abajo y deslícelo en dirección contraria a usted para sacarlo (5).
- E) Permita que el módulo de encendido cuelgue de los cables. No lo desconecte (6).
- F) Saque los tornillos de la parte inferior del panel de control con un destornillador Phillips (7).
- G) Levante ligeramente el panel de control, incline el borde delantero hacia arriba y levántelo con cuidado (8).
- H) Al terminar las pruebas de detección de fugas, vuelva a colocar el panel de control y el deflector de viento en su lugar. ♦



## DETECCIÓN DE FUGAS DE GAS

### ⚠ PELIGRO

**No utilice una llama abierta para comprobar si existen fugas de gas. Asegúrese de que no haya chispas o llamas abiertas en el área mientras comprueba si existen fugas. Chispas o llamas causarían un fuego o explosión, las cuales pueden causar graves lesiones corporales o la muerte, y daños materiales.**

*Nota: Todas las conexiones hechas en la fábrica han sido revisadas a fondo para asegurar que no existan fugas. Los quemadores han sido probados con las llamas encendidas. Como medida de precaución, sin embargo, usted deberá de volver a revisar todas las conexiones en busca de fugas antes de utilizar su barbacoa de gas Weber®. Durante el manejo y despacho puede haberse aflojado o dañado alguna conexión de gas.*

⚠ **ADVERTENCIA:** Las conexiones de gas de su barbacoa de gas han sido probadas en la fábrica. Le recomendamos que inspeccione todas las conexiones de gas antes de operar la barbacoa de gas.

⚠ **ADVERTENCIA:** Lleve a cabo estos chequeos de fugas aun y cuando su barbacoa haya sido ensamblada por el distribuidor o en la tienda donde la compró.

Si la barbacoa cuenta con un quemador lateral, asegúrese de que éste esté apagado.

Abra el suministro de gas en la fuente del mismo.

⚠ **ADVERTENCIA:** No encienda los quemadores mientras esté verificando la existencia de fugas.

Usted necesitará: una solución de agua y jabón y un trapo o una brocha para aplicarla.

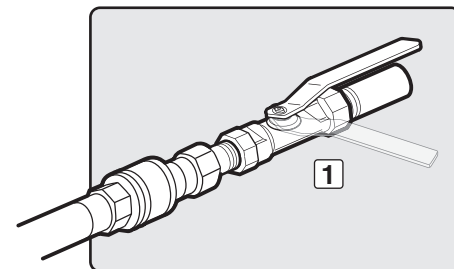
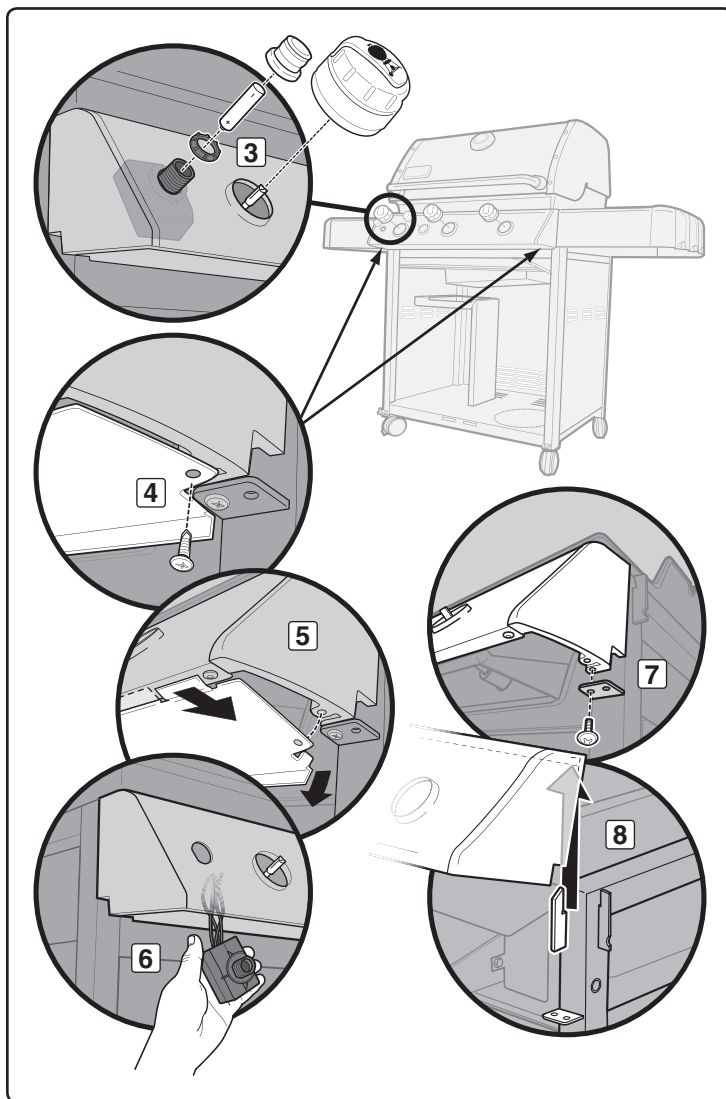
- A) Mezcle agua y jabón.
- B) Abra el suministro de gas (1).
- C) Compruebe la existencia de fugas mojando las conexiones con la solución de agua y jabón y viendo si se generan burbujas. Si se forman burbujas, o si una burbuja crece, es que hay una fuga.

Si hay una fuga, cierre el gas y apriete la conexión. Abra el gas de nuevo y con la solución de jabón y agua vuelva a verificar que no existan fugas. Si la fuga no cesa no utilice la barbacoa. Contacte al Representante de Servicios al Cliente en su área utilizando la información de contacto en nuestro sitio web. Conéctese a [www.weber.com](http://www.weber.com).

- D) Cuando se haya completado la comprobación de las fugas de gas, cierre el suministro de gas en la fuente y lave las conexiones con agua.

*Nota: Dado que algunas soluciones para la detección de fugas, incluyendo el agua y jabón, pueden ser ligeramente corrosivas, todas las conexiones deberán enjuagarse con agua después de realizar la comprobación de las fugas.*

⚠ **ADVERTENCIA:** Cada vez que conecte o desconecte una conexión de gas, deberá verificar que no hayan fugas de gas.



# INSTRUCCIONES SOBRE EL GAS

## Verifique

- A) La conexión de la manguera flexible al tabique divisorio (1).
- B) La conexión de la línea de gas principal al tabique divisorio (2).
- C) La conexión de la línea de gas principal al múltiple (3).
- D) La conexión de la línea de gas del quemador lateral al múltiple (4).
- E) La conexión de la tubería del quemador lateral a la copa del quemador lateral (5).
- F) La conexión de la tubería del quemador lateral a las conexiones de la válvula del quemador lateral (6).

⚠ **ADVERTENCIA:** Si hubiese una fuga en una conexión (1, 2, 3, 4, 5 o 6), vuelva a apretar la conexión con una llave y con la solución de agua y jabón vuelva a verificar que no haya fugas de gas. Si una fuga persiste aún después de volver a apretar la conexión, **CIERRE** el gas. **NO OPERE LA BARBACOA.** Contacte al Representante de Servicios al Cliente en su área utilizando la información de contacto en nuestro sitio web.

Conéctese a [www.weber.com](http://www.weber.com)®.

- G) La conexión de la desconexión rápida del quemador lateral (7).
- H) La conexión de la manguera flexible a la desconexión rápida (8).
- I) Las conexiones de las válvulas al múltiple (9).

⚠ **ADVERTENCIA:** Si hubiese una fuga en las conexiones (7, 8 o 9), **CIERRE** el gas. **NO OPERE LA BARBACOA.** Contacte al Representante de Servicios al Cliente en su área utilizando la información de contacto en nuestro sitio web.

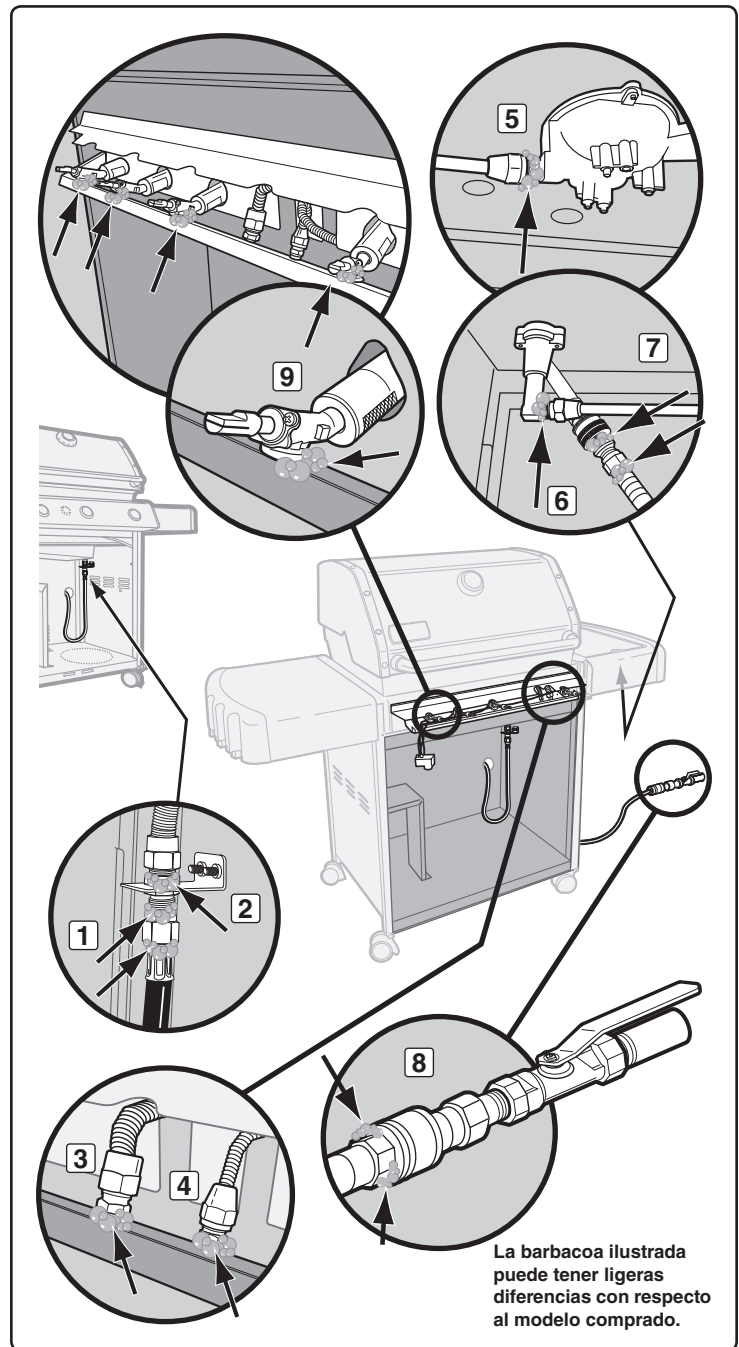
Conéctese a [www.weber.com](http://www.weber.com)®.

Cuando se hayan completado las revisiones para detectar fugas de gas, **CIERRE** el suministro de gas y enjuague las conexiones con agua.

## Reinstale el panel de control

Necesitará: un destornillador Phillips

- A) Posicione el borde superior del panel de control sobre las pestañas del bastidor. Empuje hacia abajo para que encaje su sitio.
- B) Reinstale el módulo de encendido.
- C) Deslice las dos pestañas más cortas del deflector de viento hacia el borde interno del panel de control mientras desliza la pestaña más larga sobre el borde externo. Como referencia, ubique las ilustraciones previas.
- D) Alinee los tornillos con los orificios de los tornillos tanto en el soporte del panel de control como en el bastidor.
- E) Apriete los tornillos.
- F) Coloque las perillas de control correspondientes sobre los vástagos de las válvulas.♦



La barbacoa ilustrada puede tener ligeras diferencias con respecto al modelo comprado.

## ANTES DE UTILIZAR LA BARBACOA

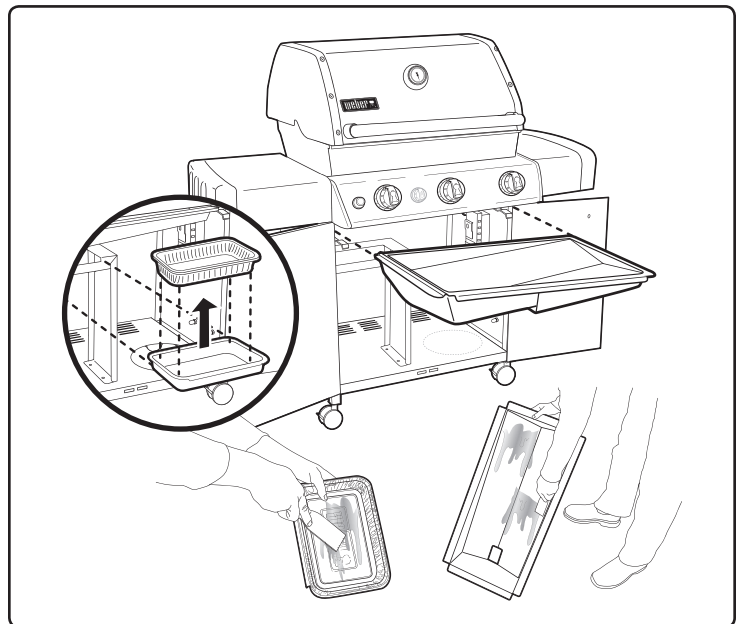
### BANDEJA CORREDIZA RECOLECTORA DE GRASA Y BANDEJA DE GOTEO DESECHABLE

La barbacoa lleva incorporada un sistema de captación de grasa. Cada vez que vaya utilizar la barbacoa, revise la bandeja corrediza recolectora de grasa y la bandeja de goteo desechable para cerciorarse de que no se haya acumulado grasa en las mismas.

Retire el exceso de grasa con una espátula plástica; vea a la ilustración. Cuando sea necesario, lave la bandeja corrediza recolectora de grasa y la bandeja de goteo desechable con una solución de agua y jabón, y luego enjuáguelas con agua limpia. Reemplace la bandeja de goteo desechable en la medida que sea necesario.

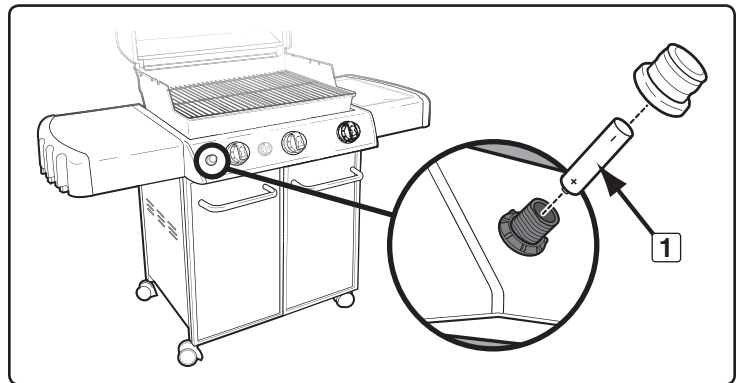
⚠ **ADVERTENCIA:** Cada vez que vaya utilizar la barbacoa, revise la bandeja corrediza recolectora de grasa y la bandeja de goteo desechable para cerciorarse de que no se haya acumulado grasa en las mismas. Retire cualquier exceso de grasa para evitar un incendio de grasa. Un incendio de grasa puede causar lesiones corporales graves o daños materiales.

⚠ **PRECAUCIÓN:** No forre la bandeja corrediza recolectora de grasa con hoja de aluminio. ♦



### INSPECCIÓN DEL ENCENDEDOR ELECTRÓNICO

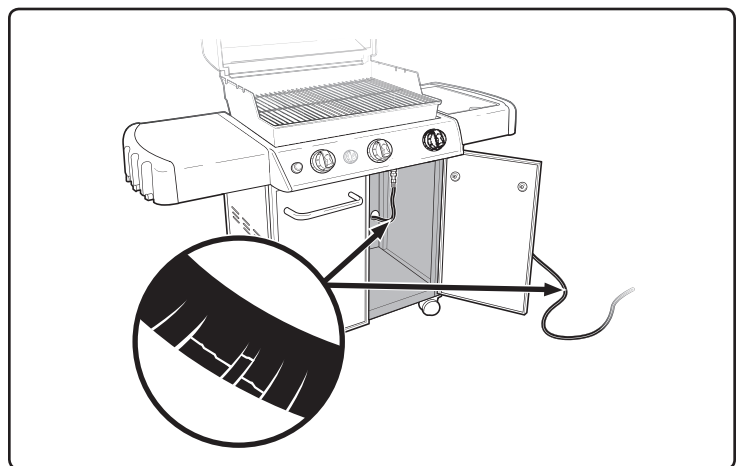
Verifique que la batería AA (solamente alcalinas) esté en buenas condiciones y correctamente instalada (1). Algunas baterías tienen una envoltura práctica protectora alrededor de ellas. Este plástico debe sacarse. No confunda este plástico con la etiqueta de la batería. ♦



### INSPECCIÓN DE LA MANGUERA

Se deberá inspeccionar la manguera para ver si tiene alguna señal de agrietamiento.

⚠ **ADVERTENCIA:** Inspeccione la manguera previo a cada uso de la barbacoa y asegúrese de que no tenga muescas, grietas, abrasiones o cortes. Si se encontrase que la manguera estuviese dañada de cualquier manera, no utilice la barbacoa. Reemplácela solamente con una manguera de repuesto autorizada por Weber®. Contacte al Representante de Servicios al Cliente en su área utilizando la información de contacto en nuestro sitio web. Conéctese a [www.weber.com](http://www.weber.com)®. ♦



# ENCENDIDO Y USO DEL QUEMADOR PRINCIPAL

## ENCENDIDO DEL QUEMADOR PRINCIPAL

Nota: Instrucciones resumidas para el encendido se encuentran dentro de la puerta izquierda del gabinete.

### ⚠ PELIGRO

El no abrir la tapa mientras se estén encendiendo los quemadores de la barbacoa, o no esperar cinco minutos para que el gas se disipe si la barbacoa no se enciende, puede resultar en una llamarada explosiva, la cual puede causar lesiones corporales graves o la muerte.

- Abra la tapa (1).
- Asegúrese de que todas las perillas de control de los quemadores estén apagadas (2). (Presione la perilla de control y gírela en dirección de las agujas del reloj para asegurarse de que esté en la posición OFF [apagada].)
- Abra la válvula de suministro de gas (3).

### Sistema de Encendido Electrónico

Cada perilla de control opera un quemador individual, y cada quemador se enciende con un encendedor electrónico. El sistema de encendido enciende cada quemador individualmente mediante una chispa proveniente del electrodo del encendedor ubicado dentro de la cámara de encendido Gas Catcher™. Usted genera la energía de la chispa al pulsar el botón de encendido electrónico. Lo oírá hacer clic.

- Encienda los quemadores individualmente de izquierda a derecha. Comience con el quemador a la izquierda; presione la perilla de control y gírela hasta START/HI (encendido/fuego alto) (4). Pulse y mantenga presionado el botón de encendido electrónico (5). Lo oírá hacer clic. Verifique que el quemador izquierdo esté encendido viendo hacia abajo a través de las parrillas de cocción. Deberá ver una llama (6).

### ⚠ ADVERTENCIA: No se incline sobre la barbacoa abierta.

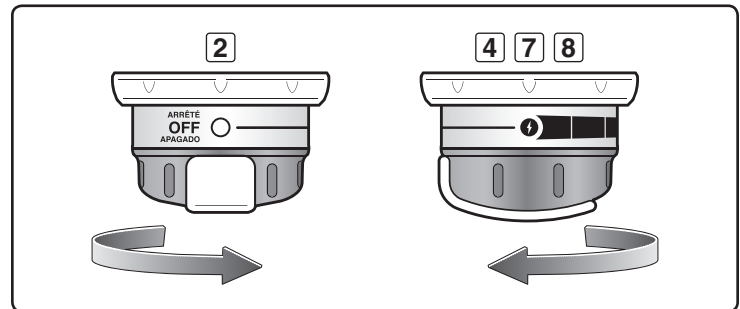
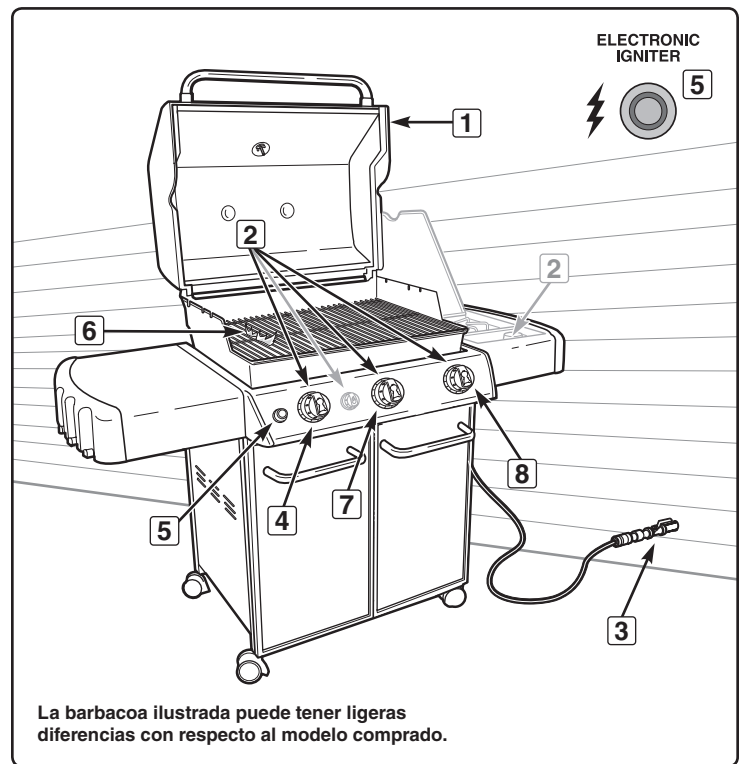
- Encienda el quemador central presionando la perilla de control y girándola hacia START/HI (encendido/fuego alto) (7). Luego, pulse y mantenga presionado el botón de encendido electrónico (5). Lo oírá hacer clic. Verifique que el quemador central esté encendido viendo hacia abajo a través de las parrillas de cocción.
- Encienda el quemador derecho presionando la perilla de control y girándola hacia START/HI (encendido/fuego alto) (8). Pulse y mantenga presionado el botón de encendido electrónico (5). Lo oírá hacer clic. Confirme que el quemador derecho esté encendido viendo hacia abajo a través de las parrillas de cocción.

### ⚠ ADVERTENCIA: Cada quemador debe encenderse individualmente pulsando el botón de encendido electrónico. El no hacerlo puede resultar en una llamarada de gas que pueda causar lesiones corporales graves y daños materiales.

- ADVERTENCIA: Si cualquier quemador no llegase a encenderse en el lapso de cinco segundos durante el encendido, pare, cierre la perilla de control del quemador (posición OFF) y espere cinco minutos para permitir que el gas se disipe antes de volver a intentarlo o encender la barbacoa con un cerillo. ♦

### PARA APAGAR

Presione y gire la perilla de control del quemador en dirección de las agujas del reloj a la posición OFF (apagada). Cierre el suministro de gas en la fuente del mismo. ♦





# ENCENDIDO Y USO DEL QUEMADOR PRINCIPAL

## ENCENDIDO MANUAL DEL QUEMADOR PRINCIPAL

### ⚠ PELIGRO

El no abrir la tapa mientras se estén encendiendo los quemadores de la barbacoa, o no esperar cinco minutos para que el gas se disipe si la barbacoa no se enciende, puede resultar en una llamarada explosiva, la cual puede causar lesiones corporales graves o la muerte.

- A) Abra la tapa (1).
- B) Asegúrese de que todas las perillas de control de los quemadores estén apagadas (2). (Presione la perilla de control y gírela en dirección de las agujas del reloj para asegurarse de que esté en la posición OFF [apagada].)
- C) Abra la válvula de suministro de gas (3).
- D) Encienda los quemadores individualmente de izquierda a derecha. Comience con el quemador a la izquierda. Coloque un cerillo en el portacerillos y enciéndalo. Inserte el portacerillos con el cerillo encendido a través de las parrillas de cocción, pasando las barras Flavorizer®, hasta quedar al lado del quemador izquierdo (4). Presione la perilla de control (5) y gírela hasta START/HI (encendido/fuego alto) para encender el quemador izquierdo. Verifique que el quemador izquierdo esté encendido viendo hacia abajo a través de las parrillas de cocción. Deberá ver una llama (6).

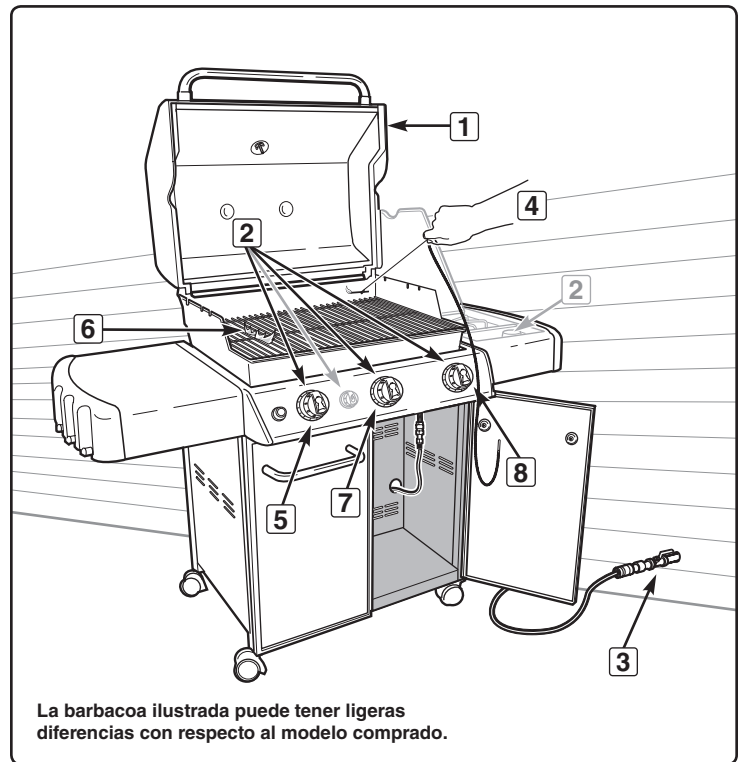
### ⚠ ADVERTENCIA: No se incline sobre la barbacoa abierta.

- E) Encienda el quemador central colocando un cerillo en el portacerillos y encendiendo el cerillo. Luego, inserte el portacerillos a través de las parrillas de cocción, pasando las barras Flavorizer®, hasta quedar al lado del quemador central. Presione la perilla de control (7) y gírela hasta START/HI (encendido/fuego alto) para encender el quemador central. Verifique que el quemador central esté encendido viendo hacia abajo a través de las parrillas de cocción.
- F) Encienda el quemador derecho colocando un cerillo en el portacerillos y encendiendo el cerillo. Luego, inserte el portacerillos a través de las parrillas de cocción, pasando las barras Flavorizer®, hasta quedar al lado del quemador derecho. Presione la perilla de control (8) y gírela hasta START/HI (encendido/fuego alto) para encender el quemador derecho. Verifique que el quemador derecho esté encendido viendo hacia abajo a través de las parrillas de cocción.

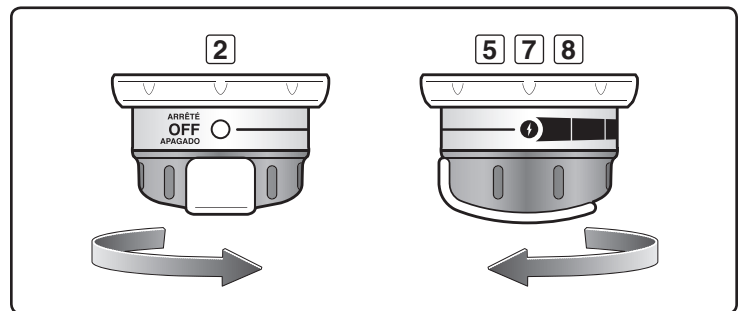
### ⚠ ADVERTENCIA: Si cualquier quemador no llegase a encenderse en el lapso de cinco segundos durante el encendido, pare, cierre la perilla de control del quemador (posición OFF) y espere cinco minutos para permitir que el gas se disipe antes de volver a intentarlo. ♦

### PARA APAGAR

Presione y gire la perilla de control del quemador en dirección de las agujas del reloj a la posición OFF (apagada). Cierre el suministro de gas en la fuente del mismo. ♦



La barbacoa ilustrada puede tener ligeras diferencias con respecto al modelo comprado.



# ENCENDIDO Y USO DE LA ESTACIÓN DE DORADO SEAR STATION® (MODELO 330)

## ENCENDIDO DEL QUEMADOR DE LA ESTACIÓN PARA DORAR SEAR STATION®

El modelo 330 incluye un quemador para dorar, el cual funciona igual que un quemador individual. El encendido del quemador para dorar es igual al encendido de un quemador principal. Para instrucciones de cómo encender el quemador para dorar consulte el "ENCENDIDO DEL QUEMADOR PRINCIPAL." **Al encender el quemador para dorar, siga todos los pasos y tome nota de las situaciones de peligro y de las advertencias tal como si estuviera encendiendo un quemador principal.** ♦

## ENCENDIDO MANUAL DEL QUEMADOR DE LA ESTACIÓN PARA DORAR SEAR STATION®

Para instrucciones de cómo encender manualmente el quemador para dorar, consulte el "ENCENDIDO MANUAL DE LOS QUEMADORES PRINCIPALES." **Al encender manualmente el quemador para dorar, siga todos los pasos y tome nota de las situaciones de peligro y de las advertencias tal como si estuviera encendiendo manualmente un quemador principal.** ♦

### ¿QUÉ SIGNIFICA DORAR?

Dorar es una técnica de asado directo utilizada con las carnes, tales como los bistecs, piezas de aves, pescados y chuletas. El dorar dora la superficie de los alimentos a una alta temperatura. Al dorar ambos lados de la carne, usted carameliza la superficie del alimento, creando un sabor más apetecible. El dorar también mejorará la apariencia de la carne con las marcas de dorado que deja la parrilla de cocción. El contraste resultante de texturas y sabores puede hacer que el alimento sea más interesante para el paladar.

En la medida que obtenga más experiencia en el uso de la estación para dorar SEAR STATION®, lo animamos a que experimente con diferentes tiempos de dorado a fin de lograr los resultados más apetecibles para su gusto. ♦

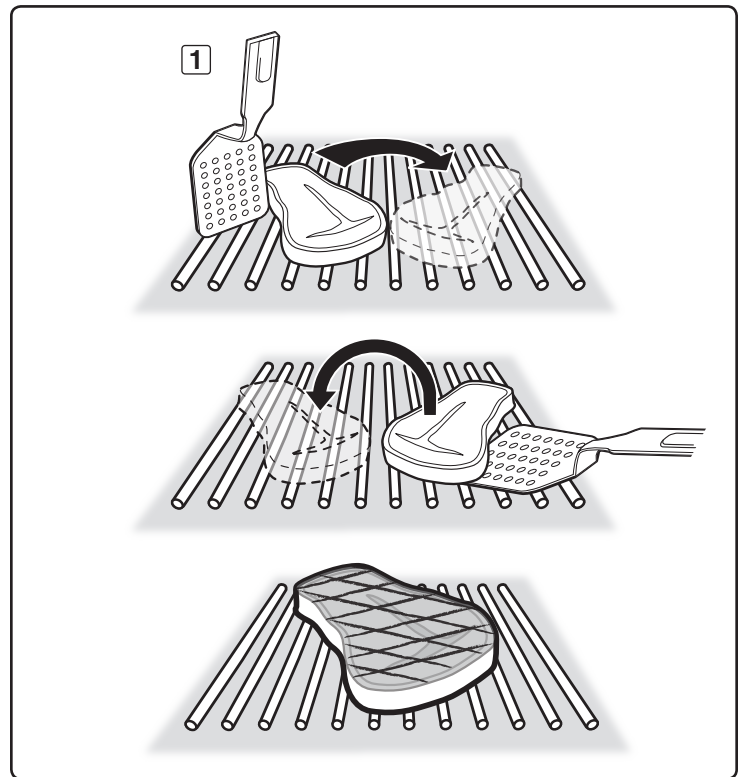
## OPERACIÓN DEL QUEMADOR DE LA ESTACIÓN PARA DORAR SEAR STATION®

El quemador de la estación para dorar SEAR STATION® cuenta con las posiciones de control OFF (apagado), START/HI (encendido/fuego alto), y LOW (fuego bajo) que funcionan con los quemadores izquierdo y central. Con el quemador para dorar y los quemadores adyacentes, usted puede dorar las carnes de manera efectiva a la vez que utiliza la zona del quemador derecho para asar bajo calor moderado.

Antes de empezar a dorar, deberá colocar todos los quemadores principales en la posición HI (fuego alto) durante quince minutos a fin de precalentar la barbacoa. Una vez se haya precalentado la barbacoa, coloque el quemador derecho en la posición OFF (apagado) o LOW (fuego bajo). Deje los quemadores central e izquierdo en la posición HI (fuego alto) y encienda el quemador de la estación para dorar SEAR STATION®.

Coloque la carne directamente sobre la estación para dorar SEAR STATION®. Dorará cada lado entre uno a cuatro minutos, según el tipo y grosor de la carne. Puede girar el alimento un cuarto de vuelta para dejar las huellas cruzadas que deja el dorar (1) antes de que dore el otro lado de la misma manera.

Una vez haya terminado de dorar, puede terminar de asar la carne moviéndola a un calor más moderado sobre el calentador derecho para alcanzar el grado de cocción deseado. Siempre ase con la tapa cerrada para lograr el calor máximo y evitar llamaradas. ♦





# CONSEJOS PRÁCTICOS PARA ASAR

- Siempre precaliente la barbacoa antes de cocinar en la misma. Ajuste todos los quemadores a la posición llama alta y cierre la tapa, caliente durante 10 minutos, o hasta que el termómetro marque 500° – 550° F (260° – 288° C).
- Para alimentos siempre perfectamente asados, dore la carnes y cocine con la tapa cerrada.
- Los tiempos de asado en las recetas son en base a una temperatura ambiental de 70° F (20° C) y poco o ningún viento. Permita un mayor tiempo de cocción en días fríos o de viento, o a mayores altitudes. Permita menos tiempo de cocción en climas extremadamente calurosos.
- Los tiempos pueden variar a causa del clima, o la cantidad, tamaño y forma de los alimentos asados.
- La temperatura de operación de la barbacoa de gas podría ser más caliente de lo normal durante los primeros usos.
- Las condiciones de asado pueden requerir el ajuste de los controles de los quemadores para obtener las temperaturas de cocción correctas.
- Por lo general, las piezas de carne más grandes requerirán mayor tiempo de cocción por libra que las piezas más chicas. Los alimentos abarrotados sobre una parrilla de cocción requerirán de más tiempo de cocción que sólo unos pocos alimentos. Los alimentos asados dentro de recipientes, tales como judías en salsa de tomate, tomarán más tiempo si se cocinan en una cacerola profunda que en una olla llana.
- Recorte el exceso de grasa de los bistecs, chuletas, y asados, dejando apenas ¼ de pulgada (6.4 mm) de grasa. Menos grasa facilita la limpieza, y es una garantía casi absoluta contra las indeseadas llamaradas.
- Los alimentos colocados sobre la parrilla de cocción directamente encima de los quemadores pudieran requerir que se les dé la vuelta o que se les mueva a un área menos caliente.
- Use tenacillas en vez de un tenedor para dar vuelta y manipular las carnes para así evitar perder los jugos naturales. Use dos espátulas para manipular un pescado entero grande.
- Si llegase a ocurrir alguna llamarada indeseada, apague todos los quemadores y mueva los alimentos a otra zona de la parrilla de cocción. Cualquier llama se apagará rápidamente. Una vez que las llamas se apaguen, vuelva a encender la parrilla. **JAMÁS USE AGUA PARA EXTINGUIR LAS LLAMAS EN UNA PARRILLA DE GAS.**
- Algunos alimentos, tales como los guisos o los filetes delgados de pescado, requerirán de un recipiente para asarlos. Las ollas desechables de lámina son muy convenientes, pero puede usarse cualquier olla de metal con asas resistentes al calor.
- Asegúrese siempre de que la bandeja corredera recolectora de grasa y el plato recolector estén limpios y libres de desechos.
- No forre la bandeja corredera recolectora de grasa con papel aluminio. Ello podría prevenir que la grasa fluya al plato recolector.
- El usar un temporizador le ayudará a alertarle cuando “bien cocido” esté a punto de convertirse en “sobre cocido.” ♦

## PRECALENTADO

La barbacoa de gas Weber® es un artefacto que utiliza la energía eficientemente. La misma opera a una baja tasa de consumo calorífico. Es importante precalentar la barbacoa antes de asar. Encienda su barbacoa de gas Summit® de acuerdo con las instrucciones en este Guía del Propietario. Para precalentar: tras encender, gire los quemadores a la posición encendido/fuego alto, cierre la tapa, y caliente hasta que la temperatura alcance entre 500° y 550° F (260° y 290°C), la temperatura recomendada para asar. Esto tomará entre 10 y 15 minutos, dependiendo de tales condiciones como la temperatura del aire y el viento.

Puede ajustar los quemadores individuales a su gusto. Los ajustes de control son APAGADO, ENCENDER/FUEGO ALTO, FUEGO MEDIO, y FUEGO BAJO.



*Nota: Durante los primeros usos de la barbacoa, la temperatura dentro de la caja de cocción será mayor que la indicada en el libro de recetas debido a que las superficies de la caja de cocción siguen siendo aún reflectoras. Las condiciones bajo las que se esté cocinando, tales como el viento y el tiempo, pueden hacer que se requieran ajustes a los controles de los quemadores para obtener las temperaturas de cocción correctas.*

*Nota: Si la barbacoa pierde calor mientras se está cocinando, refiérase a la sección de resolución de problemas de este manual.*

**⚠ ADVERTENCIA: No mueva la barbacoa de gas Weber® mientras esté en operación o esté caliente.**

Si los quemadores se apagasen durante la cocción, apague todos los quemadores y espere cinco minutos antes de volver a encender. ♦

## COCCIÓN CUBIERTA

Todo asado deberá realizarse con la tapa cerrada para proporcionar un calor uniforme y con una circulación pareja. Con la tapa cerrada, la Barbacoa de Gas Summit® cocinará de manera muy parecida a un horno de convección. El termómetro en la tapa indica la temperatura de cocción dentro de la barbacoa. Todo precalentamiento y cocción se realiza con la tapa cerrada. Nada de miraditas - se pierde calor cada vez que usted abre la tapa. ♦

## PRINGUES Y GRASA

Las barras del Flavorizer® han sido diseñadas para “ahumar” la cantidad correcta de pringues y así obtener una cocción con bastante sazón. Los jugos de cocción y el exceso de grasa se acumularán en el plato recolector debajo de la bandeja corredera recolectora de grasa. Hay disponibles bandejas de goteo desechables que caben en el plato recolector.

**⚠ ADVERTENCIA: Antes de cada uso, revise que no haya grasa acumulada en la bandeja corredera recolectora de grasa y en el plato recolector. Retire el exceso de grasa para evitar que ésta se incendie en la bandeja corredera recolectora de grasa.** ♦

## EL SISTEMA FLAVORIZER®

Cuando los jugos de carne chorrean de la comida a las barras Flavorizer® colocadas a un ángulo especial, estas crean un humo que le da a la comida una sazón a barbacoa irresistible. Gracias al diseño único de los quemadores, las barras Flavorizer® y los flexibles controles de temperatura, los fogonazos descontrolados han sido virtualmente eliminados, pues USTED controla las llamas. Debido al diseño especial de las barras Flavorizer® y de los quemadores, las grasas en exceso son dirigidas a través de la bandeja corredera recolectora de grasa al plato recolector. ♦

# ENCENDIDO Y USO DEL QUEMADOR LATERAL

## ENCENDIDO DEL QUEMADOR LATERAL

Dentro del puerta izquierda del gabinete se encuentran las instrucciones resumidas de encendido.

### ⚠ PELIGRO

El no abrir la tapa mientras se esté encendiendo el quemador lateral, o no esperar cinco minutos para que el gas se disipe si el quemador lateral no se enciende, puede resultar en una llamarada explosiva, la cual puede causar lesiones corporales serias o la muerte.

- ⚠ **ADVERTENCIA:** Inspeccione la manguera previo a cada uso de la barbacoa y asegúrese de que no tenga muecas, grietas, abrasiones o cortes. Si se encontrase que la manguera estuviese dañada de cualquier manera, no utilice la barbacoa. Reemplácela solamente con una manguera de repuesto autorizada por Weber®. Contacte al Representante de Servicios al Cliente en su área utilizando la información de contacto en nuestro sitio web. Conéctese a [www.weber.com](http://www.weber.com).

- Abra la tapa del quemador lateral (1).
- Verifique que la válvula del quemador lateral esté cerrada (2) (empuje la perilla de control hacia adentro y gírela en dirección de las agujas del reloj para asegurar de que esté en la posición APAGADO), coloque todos los quemadores que no se estén usando en la posición APAGADO (empujando hacia adentro y girando en la dirección de las agujas del reloj).
- Abra la válvula de suministro de gas (3).
- Presione y gire la válvula de control del quemador lateral a la posición ENCENDIDO/FUEGO ALTO (4).
- Pulse el botón de encendido varias veces de manera que cada vez haga clic hasta que vea una llama (5).

⚠ **PRECAUCIÓN:** En días soleados, la llama del quemador lateral puede ser difícil de ver.

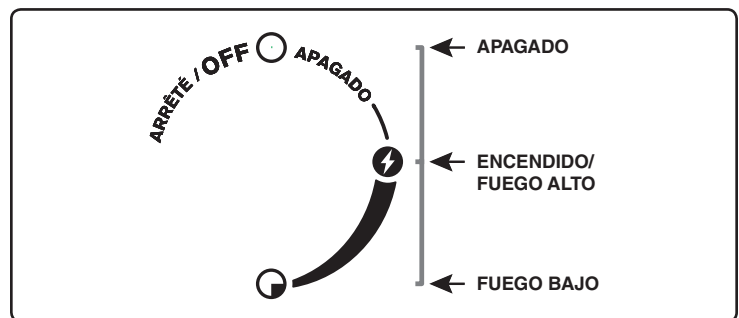
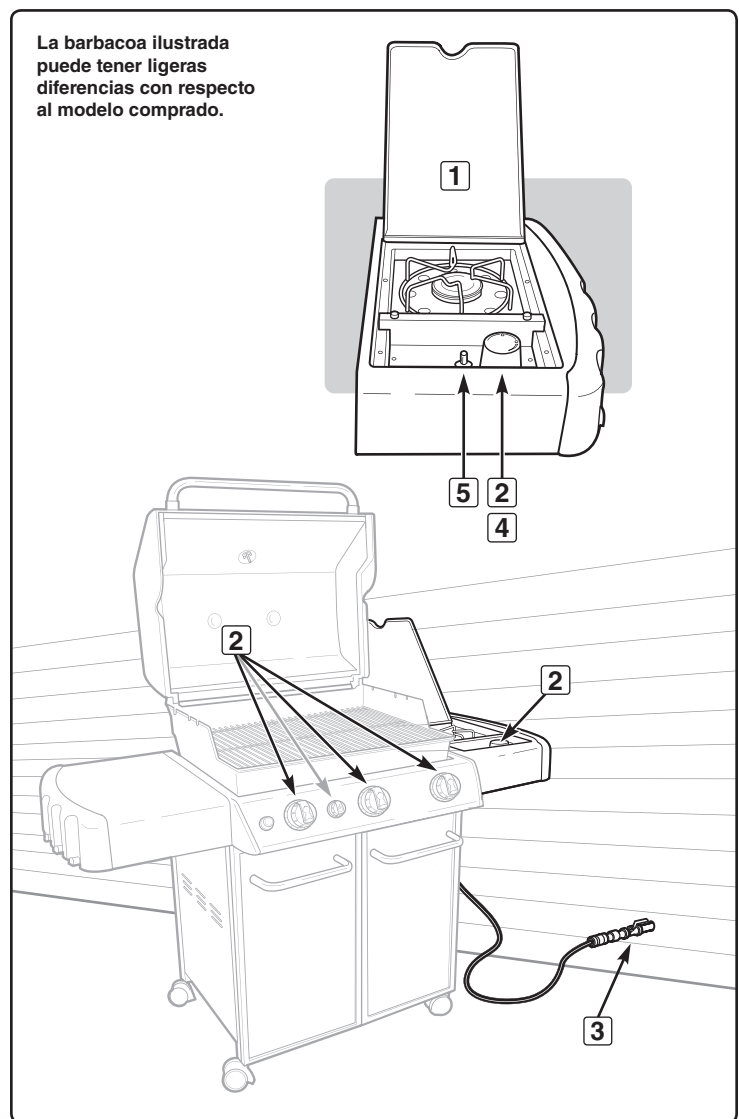
⚠ **ADVERTENCIA:** Si el quemador lateral no se enciende en cinco segundos:

- Cierre la válvula de control del quemador lateral, los quemadores principales y el suministro de gas en la fuente.
- Espere cinco minutos para permitir que el gas se disipe antes de volver a tratar de de nuevo, o tratar de encender con un cerillo (vea "ENCENDIDO MANUAL DEL QUEMADOR LATERAL"). ♦

## PARA APAGAR

Presione y gire la perilla de control del quemador lateral a la posición OFF (apagado). Asegúrese de que el quemador esté apagado y frío antes de cerrar la tapa del quemador lateral. ♦

La barbacoa ilustrada puede tener ligeras diferencias con respecto al modelo comprado.



# ENCENDIDO Y USO DEL QUEMADOR LATERAL

## ENCENDIDO MANUAL DEL QUEMADOR LATERAL

### ⚠ PELIGRO

El no abrir la tapa mientras se esté encendiendo el quemador lateral, o no esperar cinco minutos para que el gas se disipe si el quemador lateral no se enciende, puede resultar en una llamarada explosiva, la cual puede causar lesiones corporales serias o la muerte.

- A) Abra la tapa del quemador lateral (1).
- B) Verifique que la válvula del quemador lateral esté cerrada (2) (empuje la perilla de control hacia adentro y gírela en dirección de las agujas del reloj para asegurar de que esté en la posición APAGADO), coloque todos los quemadores que no se estén usando en la posición APAGADO (empujando hacia adentro y girando en la dirección de las agujas del reloj).
- C) Abra la válvula de suministro de gas (3).
- D) Coloque un cerillo en el portacerillos y enciéndalo.
- E) Aguante el portacerillos y encienda con el cerillo cualquier lado del quemador lateral (4).
- F) Presione y gire la válvula de control del quemador lateral a la posición fuego alto (5).

⚠ **PRECAUCIÓN:** En días soleados, la llama del quemador lateral puede ser difícil de ver.

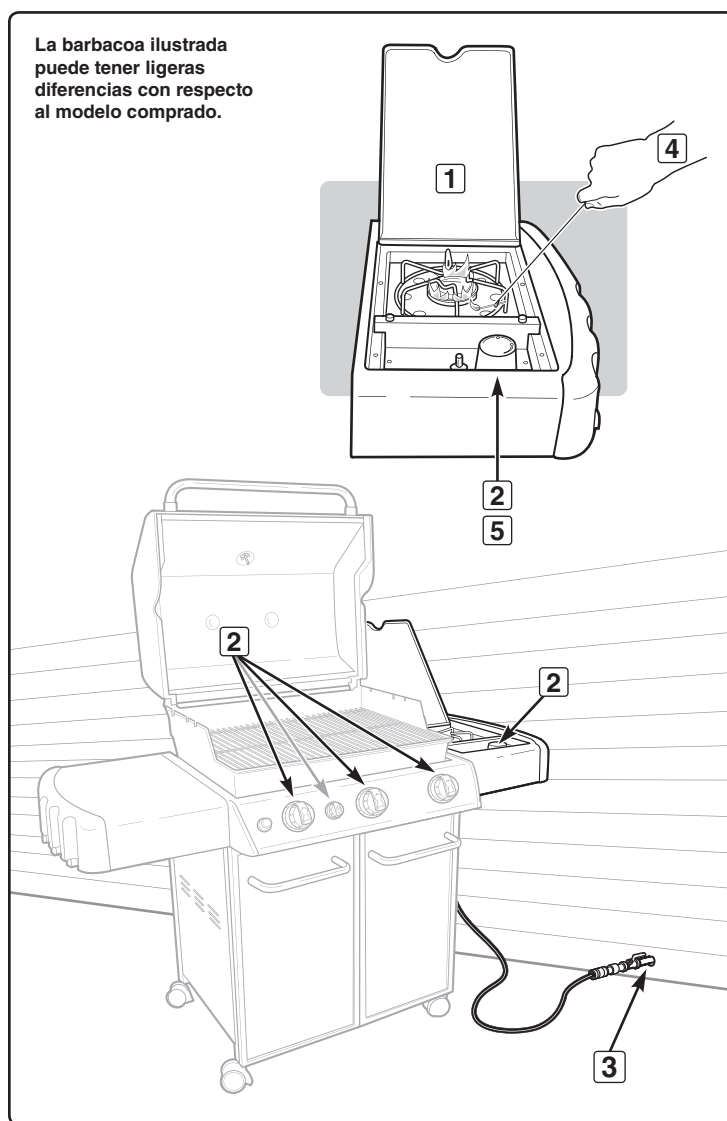
⚠ **ADVERTENCIA:** Si el quemador lateral no se enciende en cinco segundos:

- a) Cierre la válvula de control del quemador lateral, los quemadores principales y el suministro de gas en la fuente.
- b) Antes de probar de nuevo, espere cinco minutos para dejar que el gas se disipe. ♦

### PARA APAGAR

Presione y gire la perilla de control del quemador lateral a la posición OFF (apagado). Asegúrese de que el quemador esté apagado y frío antes de cerrar la tapa del quemador lateral. ♦

La barbacoa ilustrada puede tener ligeras diferencias con respecto al modelo comprado.



## RESOLUCIÓN DE PROBLEMAS

PROBLEMA	VERIFIQUE	SOLUCIÓN
Los quemadores queman con una llama amarilla o anaranjada, conjuntamente con un olor a gas.	Revise que no haya obstrucciones en la malla contra arañas e insectos. (Taponamiento de orificios.)	Limpie las mallas contra arañas e insectos. Consulte la sección "MANTENIMIENTO ANUAL"
El quemador no enciende, o la llama se mantiene baja en la posición HI (fuego alto).	¿Está doblada la manguera de combustible?	Enderece la manguera de combustible.
El quemador no se enciende al pulsar el botón de encendido.	Para asegurarse de que el gas esté fluyendo a los quemadores, trate de encender los quemadores con un cerillo. Consulte la sección "ENCENDIDO MANUAL DEL QUEMADOR PRINCIPAL"	Si logra encenderlos con un cerillo, el problema está en el sistema de encendido. Consulte la sección "OPERACIONES DE LOS SISTEMAS DE ENCENDIDO ELECTRÓNICO"
	¿Se tiene una batería fresca recién instalada?	Verifique que la batería esté en buen estado y correctamente instalada. Consulte la sección "INSPECCIÓN DEL ENCENDEDOR ELECTRÓNICO"
	¿Están todos los cables correctamente conectados al módulo encendedor?	Asegúrese de que los cables estén correctamente insertados dentro de los terminales en el cajetín de encendido. Consulte la sección "OPERACIONES DE LOS SISTEMAS DE ENCENDIDO ELECTRÓNICO"
	¿Está la nueva batería envuelta en plástico?	Quite la envoltura plástica.
Se producen llamaradas: <b>⚠ PRECAUCIÓN: No forre la bandeja deslizante de grasa con hoja de aluminio.</b>	¿Está precalentando la barbacoa de la manera indicada?	Coloque todos los quemadores en la posición HI (fuego alto) durante 10 a 15 minutos para precalentar la barbacoa.
	¿Están las rejillas de cocinar, los reflectores de calor y las barras Flavorizer® recubiertas con una capa gruesa de grasa quemada?	Limpie a fondo. Consulte la sección "LIMPIEZA"
	¿Está sucia la bandeja deslizante de grasa y no deja que la grasa fluya al plato recolector?	Limpie la bandeja deslizante de grasa.
El quemador produce llamas con un patrón errático. La llama se mantiene baja cuando el quemador está en posición HI (fuego alto). Las llamas no corren a lo largo de todo el tubo del quemador.	¿Están limpios los quemadores?	Limpie los quemadores. Consulte la sección "MANTENIMIENTO"
La parte interna de la tapa pareciera estar "pelándose". (Se parece al desprendimiento de pintura.)	La parte interna de la tapa es de esmalte de porcelana o de acero inoxidable, y no está pintada. No puede "pelarse". Lo que está viendo es grasa asada que se ha convertido en carbón y se está descascarando. <b>ESTO NO ES UN DEFECTO.</b>	Limpie a fondo. Consulte la sección "LIMPIEZA"
Las puertas del gabinete no están alineadas.	Revise el esparrago de ajuste en la parte inferior de cada puerta.	Afloje la tuerca o tuercas de ajuste. Deslice la puerta o puertas hasta quedar alineadas. Apriete la tuerca.
Si los problemas no pueden corregirse usando cualquiera de estos métodos, sírvase contactar al Representante de Atención al Cliente en su área usando la información de contacto en nuestro sitio web. Conéctese a <a href="http://www.weber.com">www.weber.com</a> ®.		

## RESOLUCIÓN DE PROBLEMAS CON EL QUEMADOR LATERAL

PROBLEMA	REVISAR	SOLUCIÓN
El quemador lateral no se enciende.	¿Está cerrado el suministro de gas?	Abra el suministro de gas.
La llama se mantiene baja en la posición fuego alto.	¿Está doblada la manguera de combustible?	Enderece la manguera.
El botón de encendido no funciona.	¿Se enciende el quemador con un cerillo?	Si un cerillo enciende el quemador, revise el encendedor. Consulte la sección "MANTENIMIENTO DEL QUEMADOR LATERAL"
Si los problemas no pueden corregirse usando cualquiera de estos métodos, por favor contacte al Representante de Atención al Cliente en su área usando la información de contacto en nuestro sitio web. Conéctese a <a href="http://www.weber.com">www.weber.com</a> ®.		

## LIMPIEZA

⚠ **ADVERTENCIA:** Apague la barbacoa de gas Weber® y espere a que se enfríe antes de limpiarla.

⚠ **PRECAUCIÓN:** No limpie las barras Flavorizer® o las parrillas cocción en un horno autolimpiante.

**Superficies externas** — Utilice una solución de agua jabonosa tibia para limpiarlas y luego enjuáguelas con agua.

⚠ **PRECAUCIÓN:** Sobre la superficie de la barbacoa o del carro no utilice limpiadores de horno, limpiadores abrasivos (limpiadores de cocinas), limpiadores que contengan productos cítricos, o almohadillas de limpieza abrasivas.

**Bandeja corrediza recolectora de grasa** — Retire el exceso de grasa, luego lávela con agua jabonosa tibia y finalmente enjuáguela.

⚠ **PRECAUCIÓN:** No forre la bandeja corrediza recolectora de grasa con papel aluminio.

**Barras Flavorizer® y rejillas de cocción** — Límpielas con un cepillo de cerdas de acero inoxidable adecuado. Según se requiera, retírela de la barbacoa y lávela con agua jabonosa tibia y luego enjuáguela con agua.

**Para averiguar donde comprar las parrillas de cocción y las barras Flavorizer® de reemplazo, contacte al Representante de Atención al Cliente en su área usando la información de contacto en nuestro sitio web. Conéctese a [www.weber.com](http://www.weber.com).**

**Plato recolector** — Hay disponibles bandejas desechables de lámina de metal, o usted mismo puede forrar el plato recolector con papel aluminio. Para limpiar el plato recolector, lávelo con agua jabonosa tibia y luego enjuague.

**Termómetro** — Pásele un trapo con agua tibia jabonosa, y límpielo con una pelota plástica de fregar.

**Caja de cocción** — Quite cualquier resto de los tubos del quemador. **NO AGRANDE LAS ABERTURAS DE LOS QUEMADORES.** Lave la parte interior de la caja de cocción con agua jabonosa y luego enjuáguela con agua.

**Tapa interna** — Mientras la tapa esté tibia, limpie la parte interna con una toalla de papel para prevenir la acumulación de grasa. La grasa acumulada escamada se asemeja a las escamas de pintura.

**Superficies de acero inoxidable** — Lávelas con un paño suave y una solución de agua y jabón. Tenga cuidado de fregarlas en la dirección del grano del acero inoxidable.

**No utilice limpiadores que contengan ácido, destilado de petróleo, o xileno. Enjuáguelas bien después de lavarlas.**

**Preserve su acero inoxidable** — La barbacoa o su gabinete, tapa, panel de control y estantes pudieran estar hechos de acero inoxidable. Es sencillo mantener vistoso al acero inoxidable. Límpielo con agua y jabón, enjuáguelo con agua limpia, y séquelo con un trapo. Para partículas difíciles de sacar, se puede usar un cepillo no metálico.

⚠ **IMPORTANTE:** No utilice cepillos de alambre o limpiadores abrasivos sobre las superficies de acero inoxidable ya que las rayarán.

⚠ **IMPORTANTE:** Al limpiar las superficies asegúrese de frotar/restregar en la dirección del grano para preservar la vistosidad del acero inoxidable. ♦

## MALLAS WEBER® CONTRA ARAÑAS E INSECTOS

La barbacoa de gas Weber®, al igual que cualquier otro aparato de gas al aire libre, es un blanco para las arañas y demás insectos. Pueden crear sus nidos en la sección del venturi (1) del tubo quemador. Esto bloquea el flujo normal de gas, y puede causar que el gas fluya hacia atrás por la válvula de aire de combustión. Esto puede resultar en un fuego en y alrededor de las aberturas para el aire de combustión, causando un daño serio a la barbacoa.

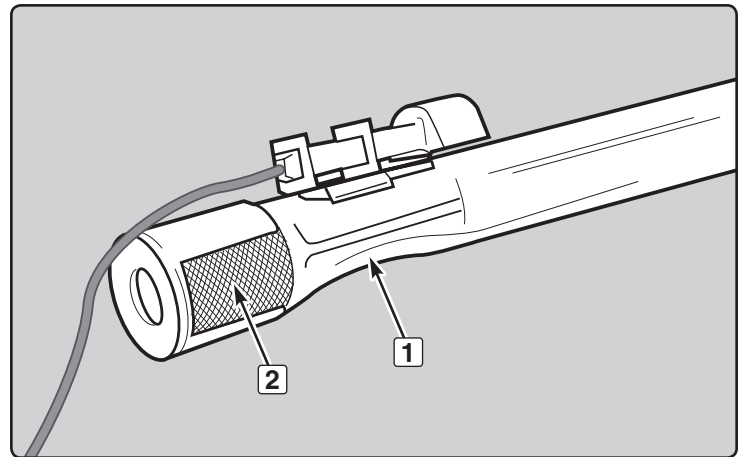
La compuerta de cierre del aire del tubo quemador está equipada con una malla (2) de acero inoxidable para prevenir la entrada de arañas e insectos a los tubos quemadores a través de las aberturas para el aire de combustión.

**Le recomendamos que inspeccione las mallas contra arañas e insectos por lo menos una vez al año (vea "MANTENIMIENTO ANUAL"). También, inspeccione y limpie dichas mallas si cualquiera de los siguientes síntomas se presentase:**

- A) Huele a gas conjuntamente con llamas del quemador con una apariencia amarilla y floja.
- B) La barbacoa no alcanza la temperatura de funcionamiento.
- C) La barbacoa se calienta de manera dispareja.
- D) Uno o más quemadores no se encienden.

### ⚠ PELIGRO

**El no corregir estos síntomas pudiera resultar en un fuego que puede causar lesiones corporales serias o la muerte y daños a la propiedad. ♦**



## LIMPIEZA O REEMPLAZO DE LOS TUBOS QUEMADORES

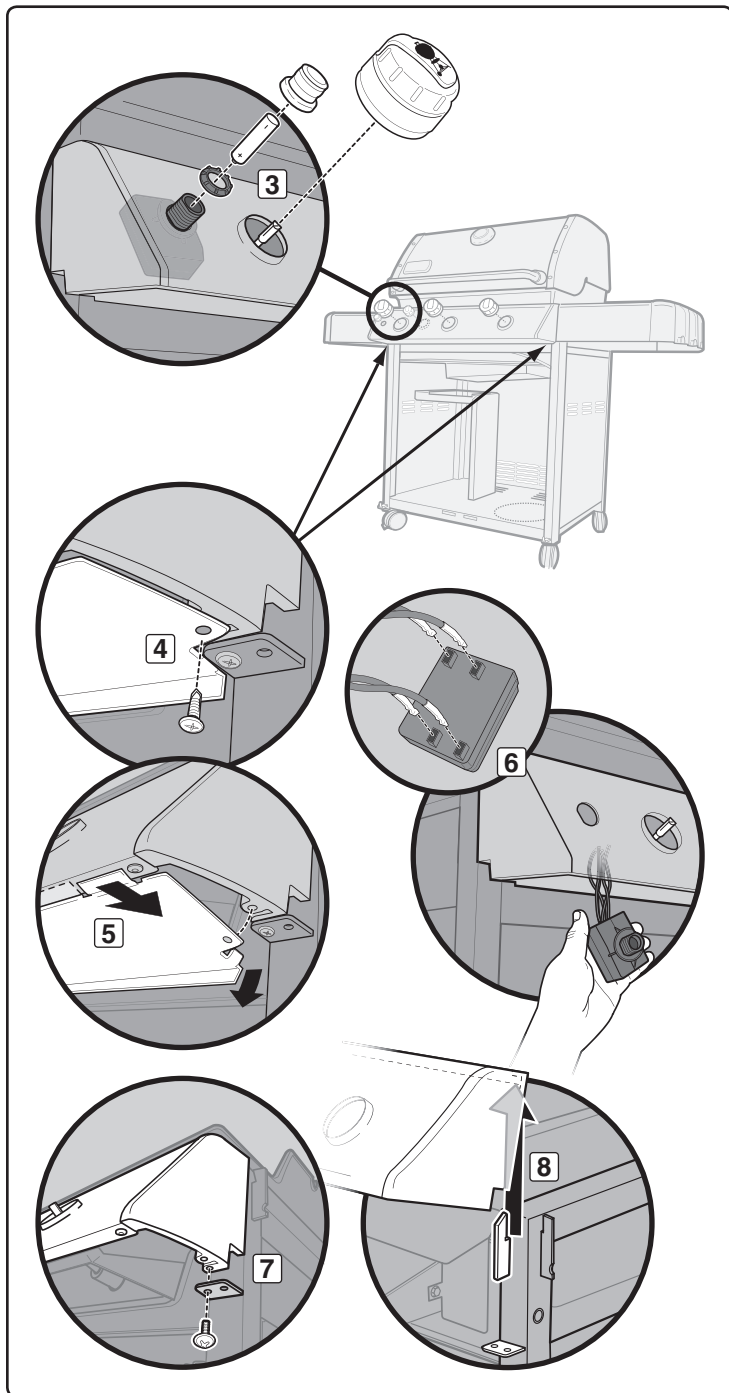
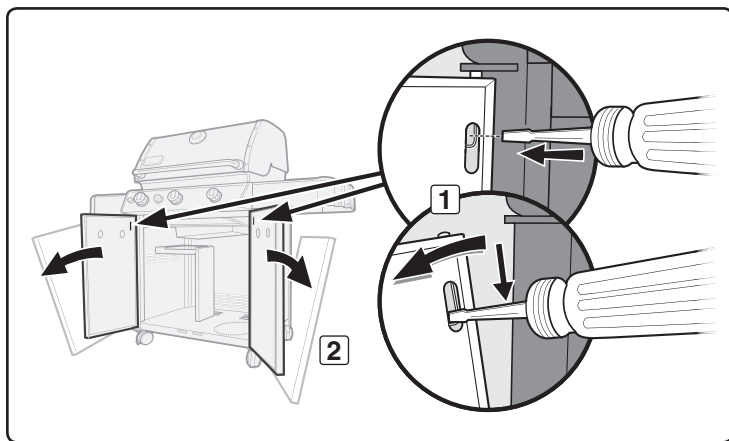
Necesitará: un destornillador Phillips, un destornillador de punta plana, y una llave de tuercas de 5/16".

- A) La barbacoa de gas Weber® debe estar APAGADA y fría.
- B) CIERRE el gas en la fuente.
- C) Retire los componentes de la caja de cocción: la rejilla de calentamiento, las parrillas y las barras Flavorizer®. (Las placas de distribución del calor no necesitan retirarse.)

### Retiro del Panel de Control

Para retirar el panel de control:

- A) Ubique el pasador de desenganche en el ensamble de la puerta. Con un destornillador, presione el pasador de desenganche de la puerta (1) hasta lograr que la puerta se desprenda del ensamble del bastidor (2) y levante la puerta fuera del pasador de bisagra ajustable inferior.
- B) Retire las perillas de control, el botón de encendido, la tuerca de retención del encendedor y la batería (3).
- C) Con un destornillador Phillips, saque los tornillos del deflector (4) de viento ubicados debajo del panel de control.
- D) Inclíne el extremo del deflector de viento hacia abajo y deslícelo para sacarlo (5).
- E) Retire el módulo de ignición del panel de control (6) y saque todos los cuatro cables del módulo.
- F) Saque los tornillos de la parte de abajo del panel de control con un destornillador Phillips (7).
- G) Levante el panel de control ligeramente, incline el borde delantero hacia arriba y con cuidado levántelo y sáquelo (8).





## Retiro del Tubo Quemador

Para retirar el o los tubos quemadores:

- Saque el o los cables de encendido de los clips de encendido (9).
- Retire el tornillo que sujeta el tubo quemador a la caja de cocción utilizando una llave de tuercas de 5/16" (10).
- Hale el conjunto del tubo quemador (que incluye el encendedor) hacia arriba y fuera de la caja de cocción (11).

*Nota: Las unidades 310/320 tendrán un cable adicional de conexión a tierra conectado al tubo quemador central (12).*

## Limpieza de los Tubos Quemadores

Para limpiar los tubos quemadores:

- Revise la parte interna del quemador con una linterna (13).
- Limpie la parte interna de los quemadores con un alambre (14) (un gancho de ropa enderezado funcionará bien).
- Revise y limpie la abertura de las compuertas de cierre del aire en los extremos de los quemadores. Revise y limpie los orificios de las válvulas en la base de las válvulas. Utilice un cepillo de cerdas de acero para limpiar la parte externa de los quemadores (15). Se hace esto para asegurarse de que las aberturas de los quemadores estén completamente abiertas.

**⚠ PRECAUCIÓN: Al limpiar, no agrande las aberturas del quemador.**

## Reinstalación del Tubo Quemador

Para reinstalar los tubos quemadores:

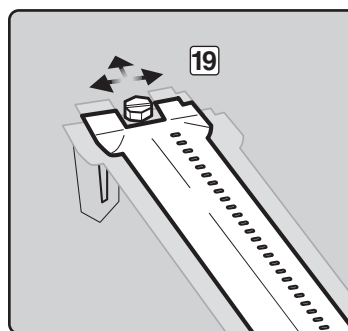
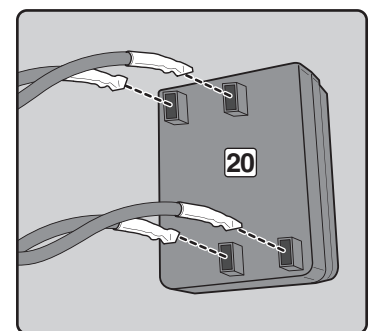
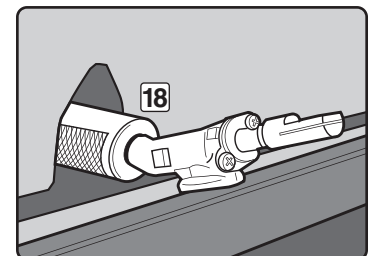
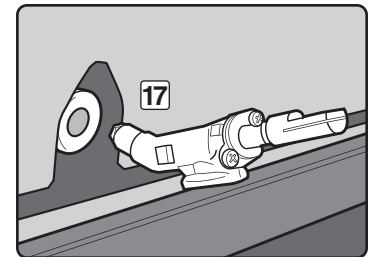
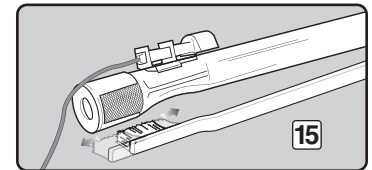
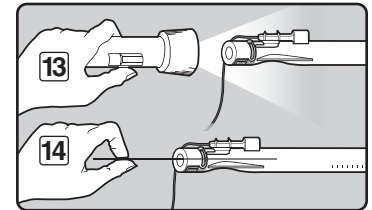
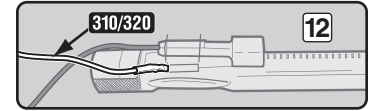
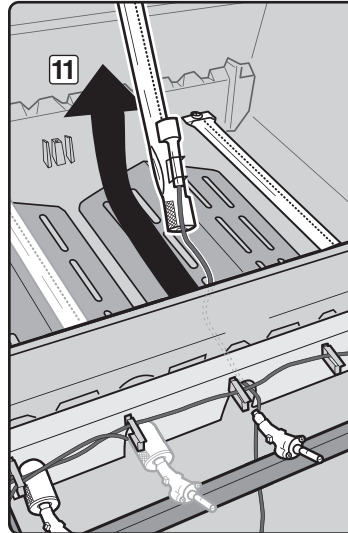
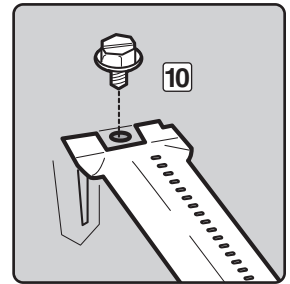
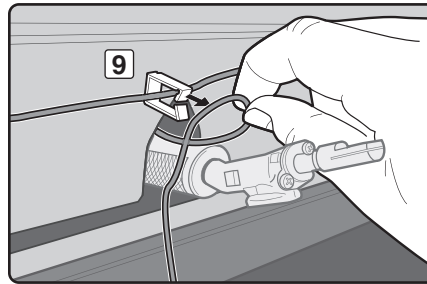
- Deslice el tubo quemador y el cable del encendedor a través del orificio en la caja de cocción (16). Consulte las "OPERACIONES DE LOS SISTEMAS DE ENCENDIDO ELECTRÓNICO" para ver la posición correcta del quemador.
- Alinee el tubo quemador con la válvula.
- Con un destornillador de cabeza plana, vuelva a instalar el tornillo que fija el tubo quemador a la caja de cocción. El tubo quemador podría aparentar estar flojo (19) cuando el tornillo esté bien ajustado. Esto es normal.
- Pase los cables de nuevo a través de los clips del encendedor. Consulte de nuevo la figura (9).

**⚠ PRECAUCIÓN: Todos los cables deben estar correctamente pasados a través de los clips de los cables.**

- Conecte los cables al módulo, de acuerdo a la codificación numérica o de colores (20). Para las conexiones correctas de los cables, consulte las "OPERACIONES DEL SISTEMA DE ENCENDIDO ELECTRÓNICO"

**⚠ ADVERTENCIA: Después de reinstalar las líneas de gas, deberá verificarse que no tengas fugas usando una solución de agua y jabón antes de usar la barbacoa. (Vea el paso: "DETECCIÓN DE FUGAS DE GAS".)**

**⚠ ADVERTENCIA: Antes de poner a funcionar la barbacoa, asegúrese de que todas las partes estén ensambladas y que la tornillería esté totalmente apretada. Si no llegase a acatar esta advertencia respecto al producto, sus acciones podrían causar un fuego, una explosión o una falla estructural que pudieran resultar en lesiones personales graves o la muerte además de daños a la propiedad. ♦**





# MANTENIMIENTO

## OPERACIONES DEL SISTEMA DE ENCENDIDO ELECTRÓNICO

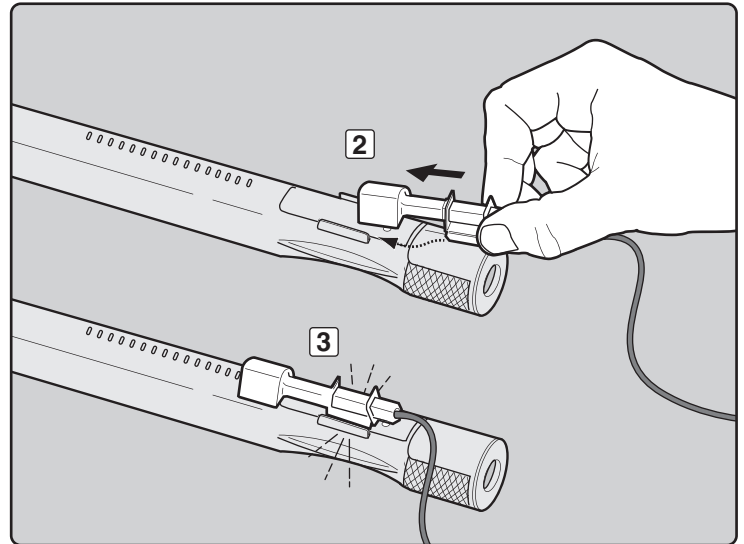
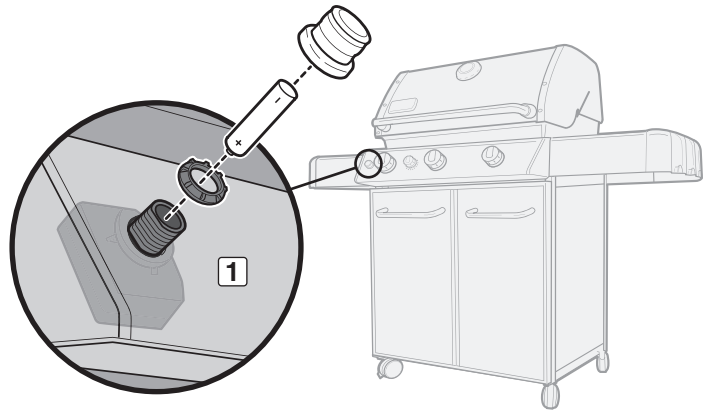
Si el sistema de encendido electrónico no llegase a encender, asegúrese de que esté fluyendo gas mediante el encendido de los quemadores con un cerillo. Consulte la sección "ENCENDIDO MANUAL DEL QUEMADOR PRINCIPAL". Si se logra encender con un cerillo, el problema está en el encendido electrónico.

**⚠ ADVERTENCIA: Todos los controles de gas y válvulas de suministro deberán estar cerrados en la posición OFF.**

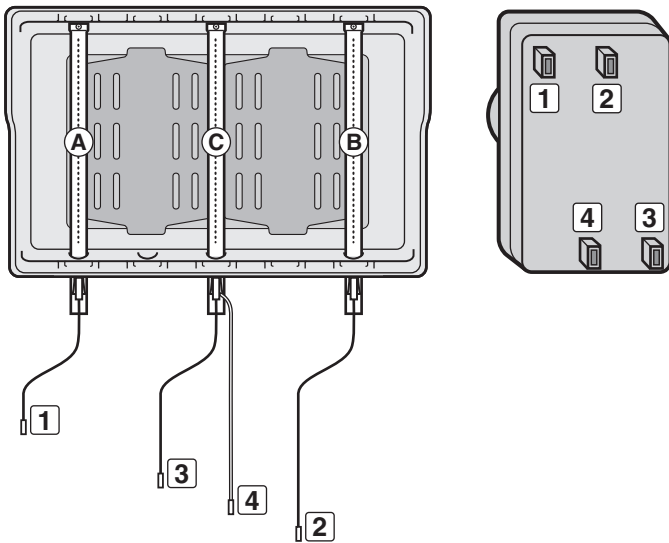
- Verifique que la batería AA (solamente alcalinas) esté en buenas condiciones y correctamente instalada (1). Algunas baterías tienen una envoltura práctica protectora alrededor de ellas. Este plástico debe sacarse. No confunda este plástico con la etiqueta de la batería.
- Asegúrese de que los cables de encendido estén conectados correctamente al módulo de encendido. Consulte la "GUÍA DE LOS CABLES DEL MÓDULO DE ENCENDIDO" a continuación.
- Asegúrese de que el conjunto del encendedor cerámico esté completamente colocado dentro del canal de encendido del tubo quemador (2). Si está correctamente colocado, oírás un chasquido (3).
- Asegúrese de que el botón de encendido electrónico esté funcionando escuchando y viendo si se generan chispas en el quemador.

Si el sistema de encendido electrónico aún no logra encender la barbacoa, póngase en contacto con el Representante de de Servicios al Cliente en su área utilizando la información de contacto en nuestro sitio web.

Conéctese a [www.weber.com](http://www.weber.com) ♦



### GUÍA DE CABLEADO DEL MÓDULO DE ENCENDIDO 310/320

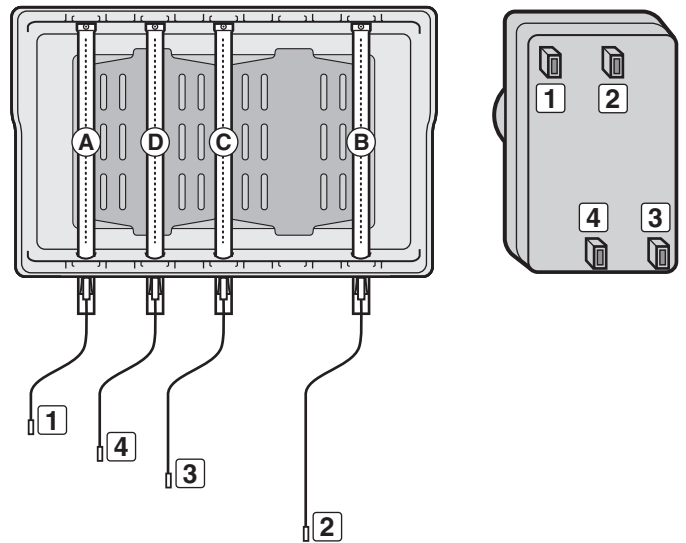


Color de los extremos de los cables y de los terminales

Tubo quemador

Negro (1)	Quegador izquierdo (A)
Amarillo (2)	Quegador derecho (B)
Azul (3)	Quegador central (C)
Verde (tierra) (4)	Quegador central (C)

### GUÍA DE CABLEADO DEL MÓDULO DE ENCENDIDO 330



Color de los extremos de los cables y de los terminales

Tubo quemador

Negro (1)	Quegador izquierdo (A)
Amarillo (2)	Quegador derecho (B)
Azul (3)	Quegador central (C)
Verde (4)	Quegador para dorar (D)

## MANTENIMIENTO DEL QUEMADOR LATERAL

**⚠ ADVERTENCIA:** Todos los controles y válvulas de suministro de gas deberán estar cerrados en la posición **APAGADO**.

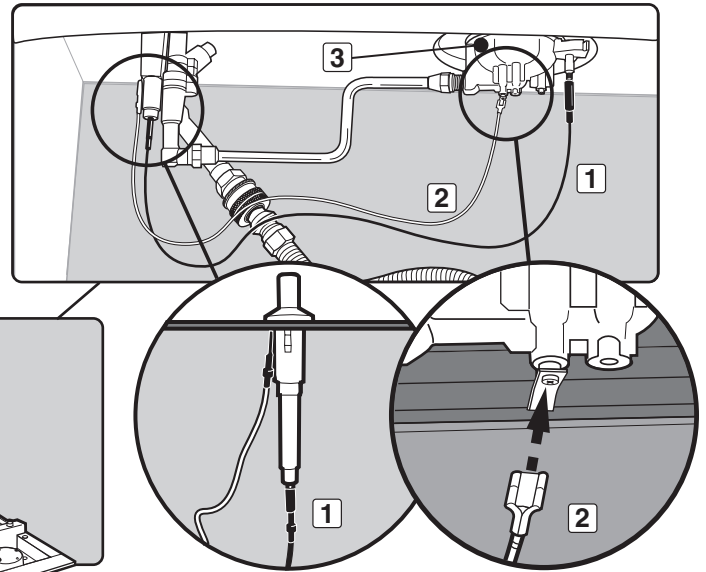
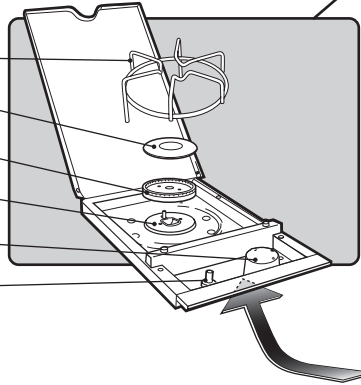
Asegúrese de que el cable negro esté conectado entre el encendedor y el electrodo.

Asegúrese de que el cable blanco esté conectado entre el encendedor y el clip de conexión a tierra.

La chispa deberá ser de color blanco/azul, no amarilla.

- A) Cable de encendido (1)
- B) Cable de conexión a tierra (2)
- C) Quemador (3) ♦

- Parilla del quemador lateral
- Tapa del quemador lateral
- Aro y cabezal del quemador lateral
- Electrodo de encendido
- Perilla de control
- Encendedor



## MANTENIMIENTO ANUAL

### Inspección y Limpieza de la Malla contra Arañas y Demás Insectos

Para inspeccionar la malla contra arañas y demás insectos, retire el panel de control. Si hubiese polvo o sucio sobre las mallas, retire los quemadores para limpiar las mallas.

Con un cepillo de cerdas suaves (p.ej.: un cepillo de dientes viejo), cepille suavemente las mallas contra arañas y demás insectos.

**⚠ PRECAUCIÓN:** No limpie las mallas contra arañas y demás insectos con herramientas duras o afiladas. No las desmonte ni agrande los orificios de las mismas.

Golpee ligeramente el quemador para sacar la basura y suciedad fuera del tubo quemador. Una vez limpios, vuelva a colocar las mallas y quemadores en su sitio.

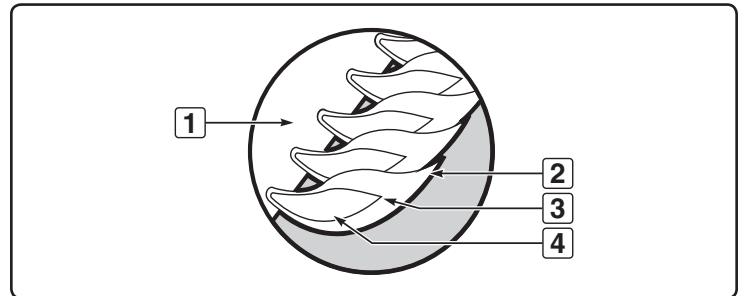
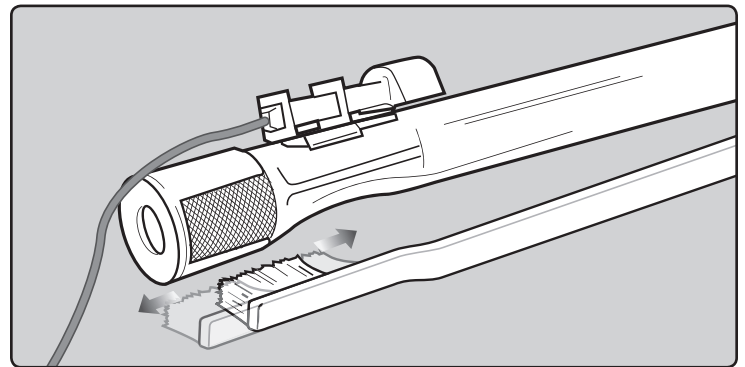
Si la malla contra arañas y demás insectos se dañase o no pudiese limpiarse, por favor póngase en contacto con el Representante de Servicios al Cliente de su zona, cuya datos de contacto encontrará en nuestro sitio en la Internet. Conéctese a [www.weber.com](http://www.weber.com).

### Patrón de la Llama del Quemador

Los quemadores de la barbacoa de gas Weber® han sido ajustados en la fábrica para que les entre la mezcla correcta de aire y gas. El patrón de llama correcto se muestra en la ilustración y se describe a continuación:

- A) Tubo quemador (1)
- B) Las puntas ocasionalmente titilarán con un color amarillo (2)
- C) Azul claro (3)
- D) Azul oscuro (4)

Si las llamas no se presentan de manera uniforme a lo largo del tubo quemador, siga las instrucciones de limpieza del quemador. ♦



**⚠ ATENCIÓN: A este producto se le han realizado pruebas de seguridad y ha sido certificado para usarse en un país específico. Refiérase al país indicado en la parte externa del cartón de empaque.**

Estas partes pueden ser componentes que transporten gas o lo quemen. Por favor póngase en contacto con el Departamento de Atención al Cliente de Weber-Stephen Products LLC para obtener información sobre las partes de repuesto Weber-Stephen Products LLC genuinas.

**⚠ ADVERTENCIA: No trate de realizar reparación alguna a los componentes que transporten o quemen gas sin antes ponerse en contacto con el Departamento de Atención al Cliente de Weber-Stephen Products LLC. Si no llegase a acatar esta advertencia, sus acciones podrían causar un fuego o una explosión que resulte en lesiones personales serias o la muerte o daños a la propiedad.**



WEBER-STEPHEN PRODUCTS LLC

[www.weber.com](http://www.weber.com)<sup>®</sup>

# GENESIS®



## GRILL A GAZ

Guide de l'utilisateur du barbecue au gaz naturel

320/330

#56511



**VOUS DEVEZ LIRE CE MODE D'EMPLOI  
AVANT D'UTILISER VOTRE GRILL A GAZ.**

**⚠ DANGER**

S'il y a une odeur de gaz :

1. Coupez l'admission de gaz de l'appareil.
2. Éteindre toute flamme nue.
3. Ouvrir le couvercle.
4. Si l'odeur persiste, éloignez-vous de l'appareil et appelez immédiatement le fournisseur de gaz ou le service d'incendie.

Une fuite de gaz risque de provoquer un incendie ou une explosion susceptible d'occasionner des blessures graves, voire mortelles, ou des dégâts matériels.

**⚠ AVERTISSEMENT :**

1. Ne pas entreposer ni utiliser de l'essence ni d'autres vapeurs ou liquides inflammables dans le voisinage de l'appareil, ni de tout autre appareil.
2. Une bouteille de propane qui n'est pas raccordée en vue de son utilisation, ne doit pas être entreposée dans le voisinage de cet appareil ou de tout autre appareil.

**⚠ MISE EN GARDE :** Suivez toutes les procédures de détection des fuites de ce manuel avec soin avant d'utiliser le barbecue. Faites-le même si le barbecue a été assemblé par le revendeur.

**NOTE A L'INTENTION DE L'INSTALLATEUR :** Les présentes instructions doivent être remises au propriétaire et le propriétaire devrait les conserver pour les utiliser plus tard.

**CET APPAREIL A GAZ EST CONÇU  
POUR UNE UTILISATION EN EXTERIEUR  
UNIQUEMENT.**

**⚠ MISE EN GARDE :** N'allumez pas cet appareil sans lire d'abord les sections traitant de L'ALLUMAGE DU BRULEUR de ce manuel.



56511 NG  
FC - FRENCH CANADIAN

## ⚠ DANGER

Le non respect des consignes intitulées Danger, Mise en garde et Attention contenues dans le présent Mode d'emploi peut entraîner une blessure grave ou la mort, ou un incendie ou une explosion provoquant des dommages à la propriété.

### ⚠ MISES EN GARDE

- ⚠ Ne stockez pas de bouteille de gaz propane liquide de rechange ou de bouteille de gaz propane liquide débranchée au-dessous ou à proximité de ce barbecue.
- ⚠ Un mauvais montage peut se révéler dangereux. Veuillez suivre les instructions de montage avec soin.
- ⚠ Après une période de stockage et/ou d'inutilisation, le barbecue à gaz Weber® devrait faire l'objet d'une vérification visant à détecter toute fuite et toute obstruction des brûleurs avant toute utilisation. Voir les instructions de ce manuel pour les procédures correctes.
- ⚠ N'utilisez pas le barbecue à gaz Weber® en cas de fuite.
- ⚠ N'utilisez pas de flamme pour détecter les fuites de gaz.
- ⚠ Aucune matière inflammable ne devrait jamais se trouver dans un rayon de 24 pouces par rapport à l'arrière ou aux côtés de votre barbecue à gaz Weber®.
- ⚠ Ne placez pas de bâche de protection de barbecue ni aucune matière inflammable sur la barbecue ou dans la zone de stockage au-dessous du barbecue.
- ⚠ Votre barbecue à gaz Weber® ne devrait jamais être utilisé par des enfants. Les pièces accessibles du barbecue peuvent atteindre une température très élevée. Maintenez les jeunes enfants à l'écart pendant son utilisation.
- ⚠ Vous devriez faire preuve d'une prudence raisonnable lorsque vous utilisez votre barbecue à gaz Weber®. Celui-ci sera très chaud pendant la cuisson ou le nettoyage et ne devrait jamais être laissé sans surveillance ni déplacé pendant son utilisation.
- ⚠ Si les brûleurs s'éteignaient pendant l'utilisation, fermez toutes les valves de gaz. Ouvrez le couvercle puis patientez cinq minutes avant d'essayer de rallumer les brûleurs, en utilisant les instructions pour l'allumage.
- ⚠ N'utilisez pas de charbon de bois ni de pierres de lave dans votre barbecue à gaz Weber®.
- ⚠ Ne vous penchez jamais au-dessus du grill ouvert ou ne placez jamais les mains ou les doigts sur l'extrémité avant du boîtier de cuisson.
- ⚠ Si un feu de graisse se produisait, fermez tous les brûleurs et laissez le couvercle fermé jusqu'à ce que le feu s'éteigne.
- ⚠ N'élargissez pas les orifices des valves ou les ports des brûleurs lorsque vous nettoyez les valves ou les brûleurs.
- ⚠ Le barbecue à gaz Weber® devrait être nettoyé méticuleusement de façon régulière.

- ⚠ Le gaz propane liquide n'est pas du gaz naturel. La conversion ou la tentative d'utilisation de gaz naturel dans un appareil à propane liquide ou de gaz propane liquide dans un appareil à gaz naturel est dangereuse et annulera votre garantie.
- ⚠ Utilisez des gants pour barbecue résistants à la chaleur lorsque vous utilisez le barbecue.
- ⚠ Maintenez tout cordon électrique d'alimentation ainsi que le tuyau d'alimentation en combustible à l'écart de toute surface chauffée.
- ⚠ Les dérivés de combustion générés lors de l'utilisation de ce produit contiennent des agents chimiques reconnus par l'Etat de Californie comme provoquant des cancers, des anomalies congénitales ou d'autres troubles de la reproduction.
- ⚠ N'utilisez ce barbecue que si toutes les pièces sont en place. Cet appareil doit être correctement assemblé conformément aux instructions de montage.
- ⚠ N'intégrez pas ce modèle de grill à n'importe quelle construction encastrée ou à glissière. Le non respect de cet Avertissement risque de provoquer un incendie ou une explosion susceptible de provoquer des dégâts matériels ainsi que des blessures graves voire un décès. ♦

### APPAREILS A GAZ PROPANE UNIQUEMENT:

- ⚠ Utilisez l'ensemble régulateur de pression et tuyau fourni avec votre barbecue à gaz Weber®.
- ⚠ Ne tentez pas de déconnecter l'ensemble régulateur et tuyau de gaz ni tout autre raccord de gaz pendant que vous utilisez votre barbecue.
- ⚠ L'utilisation d'une bouteille de gaz propane liquide comportant une bosse ou d'une bouteille rouillée peut être dangereuse et une telle bouteille devrait être vérifiée par votre fournisseur de propane. N'utilisez pas une bouteille de propane liquide dont la valve est détériorée.
- ⚠ Bien que votre bouteille de propane liquide puisse sembler vide, il est possible qu'elle contienne encore du gaz, et la bouteille devrait être transportée et stockée en conséquence.
- ⚠ Si vous voyez, sentez ou entendez du gaz s'échapper de la bouteille de propane liquide:
  1. Eloignez-vous de la bouteille de propane liquide.
  2. Ne tentez pas de corriger le problème vous-même.
  3. Appelez votre service incendie. ♦

# TABLE DES MATIERES

<b>VUE ECLATEE 320</b> .....	<b>4</b>	<b>CONSEILS &amp; ASTUCES POUR LA GRILLADE</b> .....	<b>67</b>
<b>LISTE DE LA VUE ECLATEE 320</b> .....	<b>5</b>	PRÉCHAUFFAGE .....	67
<b>VUE ECLATEE 330</b> .....	<b>6</b>	CUISSON COUVERTE .....	67
<b>LISTE DE LA VUE ECLATEE 330</b> .....	<b>7</b>	ÉCOULEMENTS DE JUS ET DE GRAISSES .....	67
<b>MISES EN GARDE</b> .....	<b>54</b>	SYSTÈME FLAVORIZER® .....	67
<b>TABLE DES MATIERES</b> .....	<b>55</b>	<b>ALLUMAGE &amp; UTILISATION DU BRULEUR LATERAL</b> .....	<b>68</b>
<b>GARANTIE</b> .....	<b>56</b>	ALLUMAGE DU BRULEUR LATERAL .....	68
<b>GENERALITES</b> .....	<b>57</b>	POUR ÉTEINDRE .....	68
INSTALLATION AU CANADA .....	57	ALLUMAGE MANUEL DU BRULEUR LATERAL .....	69
STOCKAGE .....	57	POUR ÉTEINDRE .....	69
UTILISATION .....	57	<b>DEPANNAGE</b> .....	<b>70</b>
TEST DE L'ALIMENTATION EN GAZ .....	57	<b>DEPANNAGE DU BRULEUR LATERAL</b> .....	<b>70</b>
<b>INSTRUCTIONS RELATIVES AU GAZ (MODELE 320)</b> .....	<b>58</b>	<b>MAINTENANCE</b> .....	<b>71</b>
INSTALLER L'ARRIVEE DE GAZ .....	58	NETTOYAGE .....	71
<b>INSTRUCTIONS RELATIVES AU GAZ (MODELE 330)</b> .....	<b>59</b>	GRILLES ANTI-ARAIGNEES/INSECTES WEBER® .....	71
INSTALLER L'ARRIVEE DE GAZ .....	59	NETTOYAGE OU REMPLACEMENT DES TUBES DU BRULEUR .....	72
<b>INSTRUCTIONS RELATIVES AU GAZ</b> .....	<b>60</b>	UTILISATION DU SYSTEME D'ALLUMAGE ELECTRONIQUE .....	74
TYPE DE GAZ .....	60	MAINTENANCE DU BRULEUR LATERAL .....	75
QU'EST-CE QUE LE GAZ NATUREL ? .....	60	MAINTENANCE ANNUELLE .....	75
RACCORDEMENT AU GAZ NATUREL .....	60		
PREPARATION DE LA DETECTION DES FUITES .....	60		
DETECTION DES FUITES DE GAZ .....	61		
<b>AVANT D'UTILISER LE GRILL</b> .....	<b>63</b>		
PLATEAU-EGOUTTOIR AMOVIBLE ET EGOUTTOIR JETABLE .....	63		
INSPECTION DE L'ALLUMEUR ELECTRONIQUE .....	63		
INSPECTION DU TUYAU .....	63		
<b>ALLUMAGE &amp; UTILISATION DU BRULEUR PRINCIPAL</b> .....	<b>64</b>		
ALLUMAGE DU BRULEUR PRINCIPAL .....	64		
POUR ÉTEINDRE .....	64		
ALLUMAGE MANUEL DU BRULEUR PRINCIPAL .....	65		
POUR ÉTEINDRE .....	65		
<b>ALLUMAGE &amp; UTILISATION DU BRULEUR SEAR STATION® (MODELE 330)</b> .....	<b>66</b>		
ALLUMAGE MANUEL DU BRULEUR DE LA SEAR STATION® .....	66		
ALLUMAGE MANUEL DU BRULEUR DE LA SEAR STATION® .....	66		
QUE SIGNIFIE SAISIR LA VIANDE ? .....	66		
UTILISATION DU BRULEUR DE LA SEAR STATION® .....	66		

# GARANTIE

Weber-Stephen Products LLC (Weber) garantit par le présent document à l'ACHETEUR D'ORIGINE de ce grill à gaz Weber® que celui-ci ne comportera aucun défaut de pièce ni de main d'œuvre à compter de la date d'achat comme suit :

Fonte d'aluminium:	25 ans (2 ans pour l' peinture à l'exception de toute décoloration)
Structure en acier inoxydable:	25 ans
Structure émaillée:	25 ans
Tubes du brûleur en acier inoxydable:	10 ans
Grilles de cuisson en acier inoxydable:	5 ans sans trou provoqué par la rouille ou par une brûlure
Barres Flavorizer® en acier inoxydable:	5 ans sans trou provoqué par la rouille ou par une brûlure
Grilles de cuisson en fonte fer émaillée:	5 ans sans trou provoqué par la rouille ou par une brûlure
Grilles de cuisson émaillées:	3 ans sans trou provoqué par la rouille ou par une brûlure
Barres Flavorizer® émaillées:	2 ans sans trou provoqué par la rouille ou par une brûlure
Brûleur de la rôtissoire à infrarouge:	2 ans
Toutes les autres pièces:	2 ans

à condition qu'il ait été assemblé et utilisé conformément aux instructions imprimées qui l'accompagnent. Weber peut exiger une preuve raisonnable de votre date d'achat. VOUS DEVRIEZ DONC CONSERVER VOTRE TICKET DE CAISSE OU VOTRE FACTURE.

La présente Garantie limitée est limitée à la réparation ou au remplacement des pièces qui s'avèrent défectueuses dans le cadre d'une utilisation normale et d'un entretien normal et dont l'examen indique, à la satisfaction de Weber, qu'elles sont défectueuses. Avant de retourner toute pièce, veuillez entrer en contact avec le Représentant du Service clientèle le plus proche grâce aux coordonnées à votre disposition sur notre site Internet. Si Weber confirme le défaut et approuve la demande, Weber choisira de remplacer ces pièces sans frais. S'il vous est demandé de retourner les pièces défectueuses, les frais de transport devront être prépayés. Weber retournera les pièces à l'acheteur, franco de port.

La présente Garantie limitée ne couvre pas toute défaillance ou difficulté d'utilisation provoquée par un accident, une utilisation abusive, une mauvaise utilisation, une altération, une mauvaise application, un acte de vandalisme, une installation incorrecte ou une maintenance ou un entretien incorrects, ou le défaut d'entretien normal et régulier, y compris mais pas seulement les dommages provoqués par des insectes à l'intérieur des tubes du brûleur, tel que décrit dans le présent mode d'emploi.

Toute détérioration ou tout dommage résultant de conditions météorologiques graves comme de la grêle, des ouragans, des séismes ou des tornades, toute décoloration résultant d'une exposition à des agents chimiques directement ou dans l'atmosphère, n'est pas couverte dans le cadre de la présente Garantie limitée.

Il n'existe aucune autre garantie expresse hormis celles exposées dans le présent document et toute garantie de commercialisation et de bon état induite est limitée en durée à la période de couverture de la présente Garantie limitée écrite expresse. Certaines régions n'autorisent pas de limitation de durée de la garantie induite ; il est donc possible que cette limitation ne s'applique pas à vous.

Weber ne peut être tenu pour responsable de tout dommage particulier, induit ou se produisant par voie de conséquence. Certaines régions n'autorisent pas l'exclusion ou la limitation des dommages indirects ou se produisant par voie de conséquence ; il est donc possible que cette limitation ou exclusion ne s'applique pas à vous.

Weber n'autorise aucune personne ou société à présumer en son nom de toute autre obligation ou responsabilité en relation avec la vente, l'installation, l'utilisation, le retrait, le retour ou le remplacement de ses équipements ; et aucune de ces représentations ne lie Weber.

La présente Garantie s'applique uniquement aux produits vendus au détail.

## WEBER-STEPHEN PRODUCTS LLC

Product Registration

P.O. Box 40530

Burlington, ON L7P 4W1

Pour des pièces de rechange, appelez le :

1-800-265-2150

[www.weber.com](http://www.weber.com)®

Connectez-vous sur [www.weber.com](http://www.weber.com)®, sélectionnez votre pays d'origine, et enregistrez votre grill aujourd'hui. ♦



Votre barbecue à gaz Weber® est un appareil de cuisson d'extérieur portatif. Avec le barbecue à gaz Weber® vous pouvez faire des grillades, cuire au barbecue, rôtir et cuire avec des résultats difficilement reproductibles avec des appareils de cuisine d'intérieur. Le couvercle fermé et les barres Flavorizer® produisent cette saveur "d'extérieur" particulière dans les aliments.

Le barbecue à gaz Weber® est portatif de sorte que vous puissiez facilement modifier son emplacement dans votre cour ou votre patio. Son caractère transportable signifie que vous pouvez emmener votre barbecue Weber® avec vous lors de vos déplacements.

L'alimentation en gaz naturel est simple à utiliser et vous donne davantage de contrôle sur la cuisson que le charbon de bois.

- Les présentes instructions vous fourniront les exigences minimales pour le montage de votre barbecue à gaz Weber®. Veuillez lire les instructions attentivement avant d'utiliser votre barbecue à gaz Weber®. Un mauvais montage peut être dangereux.
- Ne convient pas à une utilisation par des enfants.
- Si des codes régionaux s'appliquent aux grills à gaz portatifs, vous devrez les respecter. L'installation doit être conforme aux codes régionaux ou, en l'absence de tels codes, avec le Code national des gaz combustibles, ANSI Z223.1/NFPA 54, le Code des installations aux gaz naturel et propane, CSA B149.1, ou le Code relatif au stockage et à la manipulation de propane, B149.2, ou à la Norme relative aux véhicules de loisirs, ANSI A 119.2/NFPA 1192, et Séries CSA Z240 RV, Codes des véhicules de loisirs, le cas échéant.
- Ce barbecue à gaz Weber® est conçu pour une utilisation avec du gaz naturel (gaz de ville) uniquement. N'utilisez pas de gaz en provenance d'une bouteille de propane liquide (PL). Les valves, les orifices et le tuyau conviennent uniquement à une utilisation avec du gaz naturel.
- N'utilisez pas votre barbecue avec du charbon de bois.
- Vérifiez que la zone au-dessous du panneau de commande et le plateau inférieur ne comportent aucun débris susceptible de faire obstacle à la circulation de l'air nécessaire à la combustion ou à la ventilation. ♦

## INSTALLATION AU CANADA

Les présentes instructions, bien que généralement acceptables, ne sont pas nécessairement conformes aux Codes d'installation canadiens, en particulier en ce qui concerne les canalisations aériennes et souterraines. Au Canada, l'installation de cet appareil doit être conforme aux codes régionaux et/ou aux Normes CAN/CGA-B149.1 (Code relatif à l'installation des appareils et équipements à combustion de gaz naturel). ♦

## STOCKAGE

- Le gaz doit être fermé au niveau de l'arrivée de gaz naturel lorsque le barbecue à gaz Weber® est inutilisé.
- Lorsque le barbecue à gaz Weber® est stocké à l'intérieur, l'arrivée de gaz doit être débranchée.
- Le barbecue à gaz Weber® devrait faire l'objet de vérifications de détection des fuites et vous devriez vérifier l'absence d'obstruction des tubes du brûleur avant de l'utiliser. (Voir la Section : "MAINTENANCE/MAINTENANCE ANNUELLE").
- Vérifiez que les zones situées sous le panneau de commande et le plateau inférieur amovible ne comportent aucun débris susceptible de faire obstacle à la circulation de l'air nécessaire à la combustion et à la ventilation.
- Les Grilles anti-araignées/insectes devraient également être inspectées à la recherche de tout obstacle. (Voir la Section : "MAINTENANCE/MAINTENANCE ANNUELLE"). ♦

## UTILISATION

- ⚠ **MISE EN GARDE: N'utilisez ce barbecue qu'en extérieur dans une zone bien ventilée. Ne l'utilisez pas dans un garage, un bâtiment, un passage couvert ou toute autre zone confinée.**
- ⚠ **MISE EN GARDE: Votre barbecue à gaz Weber® ne doit pas être utilisé au-dessous d'une structure inflammable.**
- ⚠ **MISE EN GARDE: Votre barbecue à gaz Weber® n'est pas conçu pour être installé dans ou sur un véhicule de loisirs et/ou un bateau.**
- ⚠ **MISE EN GARDE: N'utilisez pas le barbecue dans un rayon de 24 pouces de toute matière inflammable. Ceci inclut le haut, le bas, l'arrière ou les côtés du grill.**
- ⚠ **MISE EN GARDE: La totalité du boîtier de cuisson devient très chaude pendant son utilisation. Ne le laissez pas sans surveillance.**
- ⚠ **MISE EN GARDE: Maintenez tout cordon électrique ainsi que le tuyau d'alimentation en combustible à l'écart de toute surface chauffée.**
- ⚠ **MISE EN GARDE: Maintenez la zone de cuisson dégagée de toute émanation et de tout liquide inflammables comme de l'essence, de l'alcool, etc., et de toute matière inflammable.** ♦

## TEST DE L'ALIMENTATION EN GAZ

- Déconnectez votre barbecue à gaz Weber® lorsque l'arrivée de gaz est testée à des pressions élevées. Cet appareil et sa valve de fermeture individuelle doivent être déconnectés de la canalisation d'arrivée de gaz pendant tout test de pression à des pressions de test supérieures à 1/2 psig (3,5 kPa).
- Fermez votre barbecue à gaz Weber® pendant le test de l'arrivée de gaz à de basses pressions. Cet appareil doit être isolé de la canalisation d'arrivée de gaz en fermant sa valve de fermeture manuelle individuelle lors de tout test sous pression de la canalisation d'arrivée de gaz à une pression égale ou inférieure à 1/2 psig (3,5 kPa). ♦

# INSTRUCTIONS RELATIVES AU GAZ (MODELE 320)

## INSTALLER L'ARRIVEE DE GAZ

### Spécifications générales de la canalisation

**Remarque :** Contactez votre municipalité pour connaître les codes de construction qui réglementent les installations de barbecues à gaz en extérieur. En l'absence de Codes locaux, vous devez respecter la dernière édition du Code national du gaz combustible : ANSI Z 223.1/NFPA 54, ou CAN/CGA-B149.1, Code des installations au gaz naturel et propane. **NOUS RECOMMANDONS QUE L'INSTALLATION SOIT EFFECTUEE PAR UN PROFESSIONNEL.**

Certaines des recommandations ci-dessous sont des exigences générales extraites de la dernière édition du Code national du gaz combustible : ANSI Z 223.1/NFPA 54, ou CAN/CGA-B149.1, Code des installations au gaz naturel et propane pour les caractéristiques techniques complètes.

- Ce barbecue est conçu pour fonctionner avec une pression de colonne d'eau de 7" (0,2526 psi).
- Une valve de fermeture manuelle doit être installée à l'extérieur, immédiatement avant la déconnexion rapide.
- Une valve de fermeture supplémentaire à l'intérieur devrait être installée dans la conduite de combustible de branche à un emplacement accessible à proximité de la conduite d'arrivée de gaz.
- La déconnexion rapide se connecte sur un filetage NPT de 3/8" NPT en provenance de la source de gaz. Le raccord de déconnexion rapide est un dispositif qui se manipule à la main et qui ferme automatiquement le débit de gaz depuis la source lorsque le barbecue est déconnecté.
- Le raccord de déconnexion rapide peut être installé à l'horizontale ou orienté vers le bas. Installer le raccord avec l'extrémité ouverte pointant vers le haut peut avoir pour conséquence de recueillir de l'eau et des débris.
- Les protections contre la poussière (bouchons de plastique fournis) aident à maintenir la propreté des extrémités ouvertes du raccord de déconnexion rapide lorsqu'il est déconnecté.
- Le composant de canalisation utilisé devrait être résistant à l'action du gaz naturel lorsque les connexions sont faites.
- Le connecteur extérieur doit être fermement fixé à la structure rigide permanente.

**⚠ MISE EN GARDE : Ne faites pas passer le tuyau de dix pieds sous une terrasse en bois. Le tuyau doit être visible.**

### Canalisation de la conduite de gaz

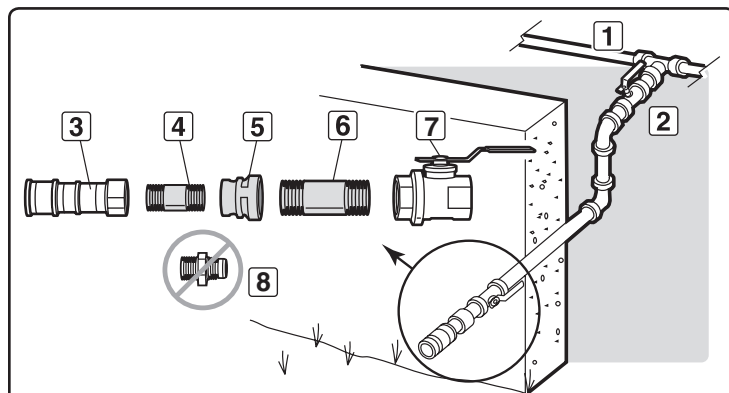
- Pour la taille et la longueur correctes de la canalisation de la conduite de gaz, voir la dernière édition du Code national du gaz combustible : ANSI Z 223.1/NFPA 54, ou CAN/CGA-B149.1, Code des installations au gaz naturel et propane.
- La conduite de gaz peut être composée de tuyaux de cuivre, de type K ou L ; d'un tubage en plastique polyéthylène, avec une épaisseur minimale de la paroi de 0,062"; ou un tuyau de poids standard (plan 40) en acier ou en fer forgé.
- Le tubage en cuivre doit être recouvert d'étain si le gaz contient plus de 0,3 grammes de sulfure d'hydrogène pour 100 pieds cubes de gaz.
- Le tubage en plastique convient uniquement pour une utilisation souterraine, en extérieur.
- Toute canalisation de gaz en contact avec la terre, ou toute autre matière susceptible de corroder la canalisation, doit être protégée contre la corrosion d'une manière homologuée.
- Les canalisations souterraines doivent être protégées d'un minimum de couverture de 18".

### Test des connexions

La totalité des connexions et des joints doit faire l'objet d'un test exhaustif afin de détecter les fuites conformément aux codes régionaux et à la totalité des procédures sur la liste de la dernière édition du Code national du gaz combustible : ANSI Z 223.1/NFPA 54, ou CAN/CGA-B149.1.

### ⚠ DANGER

**N'utilisez pas de flamme nue pour détecter les fuites de gaz. Assurez-vous qu'il n'y a aucune étincelle ou flamme nue dans la zone pendant que vous détectez les fuites de gaz. Ceci aurait pour conséquence un incendie ou une explosion susceptible de provoquer une blessure physique grave voire un décès ainsi que des dégâts matériels. ♦**



Ceci est une installation typique pour un barbecue à gaz naturel Weber®. Les codes régionaux peuvent exiger des installations différentes.

#### PAROI INTERNE

1	Arrivée de gaz	2	Fermeture
<b>PAROI EXTERNE</b>			
3	Déconnexion rapide	4	3/8" Mamelon de tuyau
5	Réduction de couplage	6	1/2" Mamelon de tuyau
7	Fermeture de verrouillage	8	Ne pas utiliser

# INSTRUCTIONS RELATIVES AU GAZ (MODELE 330)

## INSTALLER L'ARRIVEE DE GAZ

### Spécifications générales de la canalisation

**Remarque :** Contactez votre municipalité pour connaître les codes de construction qui réglementent les installations de barbecues à gaz en extérieur. En l'absence de Codes locaux, vous devez respecter la dernière édition du Code national du gaz combustible : ANSI Z 223.1/NFPA 54, ou CAN/CGA-B149.1, Code des installations au gaz naturel et propane. **NOUS RECOMMANDONS QUE L'INSTALLATION SOIT EFFECTUEE PAR UN PROFESSIONNEL.**

Certaines des recommandations ci-dessous sont des exigences générales extraites de la dernière édition du Code national du gaz combustible : ANSI Z 223.1/NFPA 54, ou CAN/CGA-B149.1, Code des installations au gaz naturel et propane pour les caractéristiques techniques complètes.

- Ce barbecue est conçu pour fonctionner avec une pression de colonne d'eau de 7" (0,2526 psi).
- Une valve de fermeture manuelle doit être installée à l'extérieur, immédiatement avant la déconnexion rapide.
- Une valve de fermeture supplémentaire à l'intérieur devrait être installée dans la conduite de combustible de branche à un emplacement accessible à proximité de la conduite d'arrivée de gaz.
- La déconnexion rapide se connecte sur un filetage NPT de 1/2" en provenance de la source de gaz. Le raccord de déconnexion rapide est un dispositif qui se manipule à la main et qui ferme automatiquement le débit de gaz depuis la source lorsque le barbecue est déconnecté.
- Le raccord de déconnexion rapide peut être installé à l'horizontale ou orienté vers le bas. Installer le raccord avec l'extrémité ouverte pointant vers le haut peut avoir pour conséquence de recueillir de l'eau et des débris.
- Les caches de protection contre la poussière (bouchons de plastique fournis) aident à maintenir la propreté des extrémités ouvertes du raccord de déconnexion rapide lorsqu'il est déconnecté.
- Le composant de canalisation utilisé devrait être résistant à l'action du gaz naturel lorsque les connexions sont faites.
- Le connecteur extérieur doit être fermement fixé à la structure rigide permanente.

**⚠ MISE EN GARDE : Ne faites pas passer le tuyau de 10 pieds sous une terrasse en bois. Le tuyau doit être visible.**

### Canalisation de la conduite de gaz

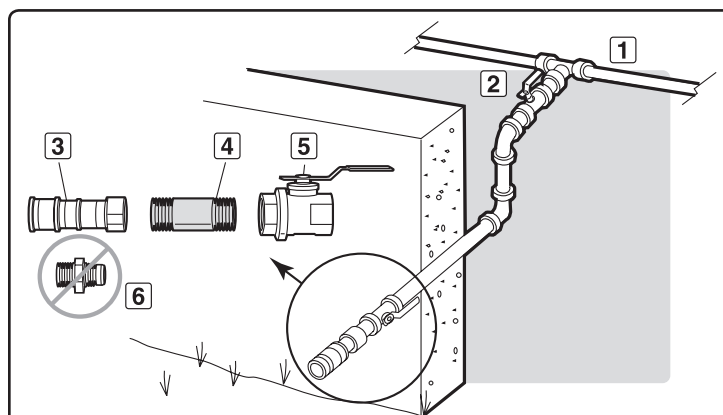
- Pour la taille et la longueur correctes de la canalisation de la conduite de gaz, voir la dernière édition du Code national du gaz combustible : ANSI Z 223.1/NFPA 54, ou CAN/CGA-B149.1, Code des installations au gaz naturel et propane.
- La canalisation de gaz peut être composée d'un tubage en cuivre, de type K ou L ; d'un tubage en plastique polyéthylène, avec une épaisseur de paroi minimale de 0,062" ; ou un tube d'acier ou de fer forgé de poids standard (plan 40).
- Le tubage en cuivre doit être recouvert d'étain si le gaz contient plus de 0,3 grammes de sulfure d'hydrogène pour 100 pieds cubes de gaz.
- Le tubage en plastique convient uniquement pour une utilisation souterraine, en extérieur.
- Toute canalisation de gaz en contact avec la terre, ou toute autre matière susceptible de corroder la canalisation, doit être protégée contre la corrosion d'une manière homologuée.
- Toute canalisation de gaz en contact avec la terre doit être protégée par une épaisseur de couverture minimale de 18".

### Test des connexions

La totalité des connexions et des joints doit faire l'objet d'un test exhaustif afin de détecter les fuites conformément aux codes régionaux et à la totalité des procédures figurant sur la liste de la dernière édition du Code national du gaz combustible : ANSI Z 223.1/NFPA 54, ou CAN/CGA-B149.1.

### ⚠ DANGER

**N'utilisez pas de flamme nue pour détecter les fuites de gaz. Assurez-vous qu'il n'y a aucune étincelle ou flamme nue dans la zone pendant que vous détectez les fuites de gaz. Ceci aurait pour conséquence un incendie ou une explosion susceptible de provoquer une blessure physique grave voire un décès ainsi que des dégâts matériels. ♦**



Ceci est une installation typique pour un barbecue à gaz Weber®. Les codes régionaux peuvent exiger des installations différentes.

### PAROI INTERNE

1	Arrivée de gaz	2	Fermeture
<b>PAROI EXTERNE</b>			
3	Déconnexion rapide	4	1/2" mamelon de tuyau
5	Fermeture de verrouillage	6	Ne pas utiliser

# INSTRUCTIONS RELATIVES AU GAZ

## TYPE DE GAZ

Votre grill à gaz est conçu en usine pour fonctionner avec du gaz naturel uniquement. Ne tentez jamais d'utiliser votre grill avec d'autres gaz que le type spécifié sur les plaques nominales du grill.

Votre grill fonctionne avec une pression de colonne d'eau de 7". Si le remplacement du tuyau s'avère nécessaire, vous devez obligatoirement utiliser les pièces spécifiées en usine. Veuillez consulter le revendeur le plus proche.

Pour des raisons de sécurité et de conception, la conversion d'un grill Weber® d'un fonctionnement utilisant du gaz naturel à un fonctionnement utilisant du gaz PL n'est pas autorisée. ♦

## QU'EST-CE QUE LE GAZ NATUREL ?

Le gaz naturel, souvent appelé méthane, est un combustible moderne et sûr. Le gaz naturel vous est fourni par votre service public local et devrait être disponible facilement dans votre maison si celle-ci est déjà chauffée au gaz. ♦

## RACCORDEMENT AU GAZ NATUREL

Déroulez le tuyau d'alimentation en gaz naturel et orientez l'extrémité hors du trou d'accès au niveau du panneau arrière du meuble (1). Veuillez noter que le modèle 330 nécessite un tuyau de 1/2" tandis que les modèles 310 et 320 nécessitent un tuyau de 3/8". Weber® recommande de déplacer le grill à au moins 60 cm d'écart par rapport à l'arrivée de gaz et à toute surface inflammable. Une fois que l'arrivée de gaz a été installée et que vous avez effectué la détection des fuites conformément aux instructions de montage, vous êtes prêt à utiliser le grill. Pour raccorder le tuyau à l'arrivée de gaz, retirez le raccord externe, insérez le raccord du tuyau jusqu'au bout, puis relâchez le raccord externe. Cette procédure produira un raccord de gaz. ♦

## PREPARATION DE LA DETECTION DES FUITES

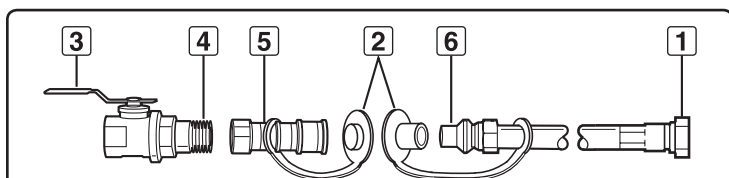
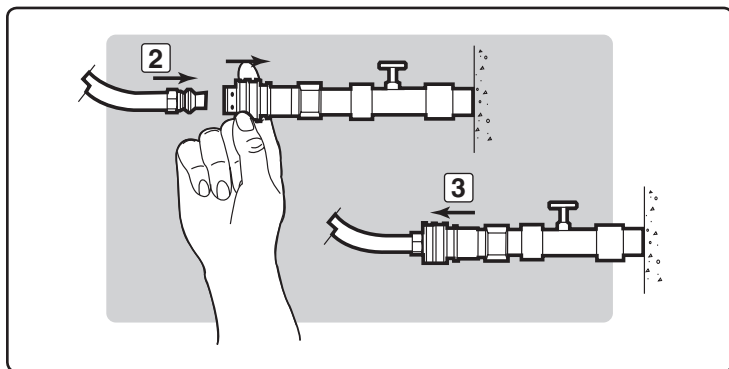
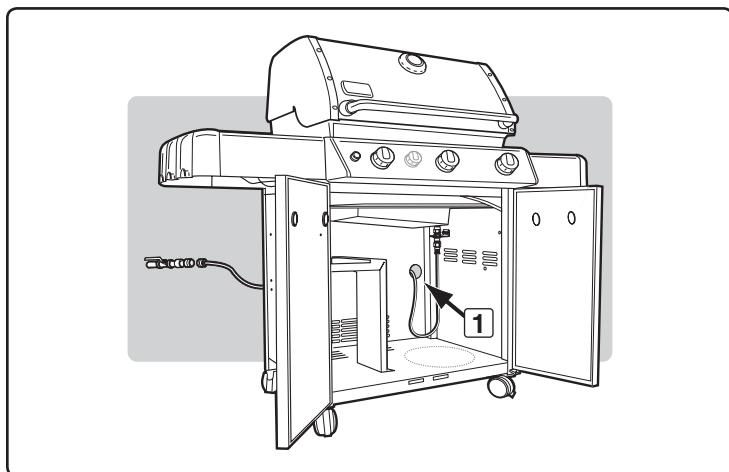
### Verifiez que toutes les valves du bruleur sont fermées

Les valves sont expédiées en position fermée (OFF), mais vous devriez les vérifier pour vous assurer qu'elles sont fermées. Vérifiez en les enfonçant et en les tournant dans le sens des aiguilles d'une montre. Si elles ne tournent pas, elles sont fermées. Passez à l'étape suivante. Si elles tournent, continuez à les tourner dans le sens des aiguilles d'une montre jusqu'à ce qu'elles ne tournent plus, elles sont maintenant fermées.

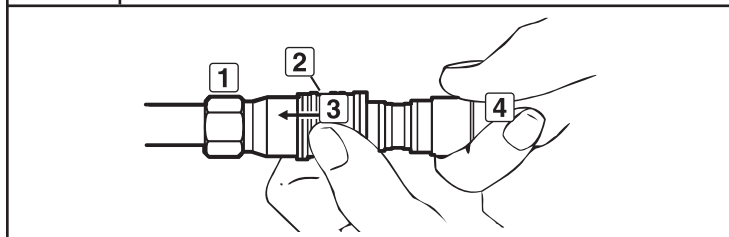
### Verification du raccord entre le tuyau souple et le collecteur

Le tuyau de gaz naturel a été fixé au cours de la procédure de fabrication. Nous vous recommandons néanmoins de tester le raccord entre le tuyau de gaz et le collecteur afin de détecter toute fuite, en suivant les recommandations du présent Mode d'emploi, avant toute utilisation du barbecue.

Pour détecter les fuites : Faites glisser le collier de la connexion rapide vers l'arrière (2). Enfoncez le raccord mâle à l'intérieur de la déconnexion rapide, et maintenez la pression. Faites glisser le collier fermé (3). S'il ne s'engage pas ou ne se verrouille pas, répétez la procédure. Le gaz ne circulera pas tant que la déconnexion rapide sera correctement enclenchée. ♦



1	Raccord à charnière
2	Mettez les couvercles en place lorsque le tuyau est débranché
3	Valve de fermeture
4	Enduisez ce raccord de conduite de pâte à joint résistante au gaz
5	Prise
6	Fiche mâle



1	Prise
2	Cache
3	Repoussez l'étui en arrière
4	Fiche

Enfoncez la fiche vers l'avant jusqu'à ce que l'étui s'encastre, bloquant ainsi la fiche dans la prise.  
(Ceci ouvre automatiquement le gaz.)

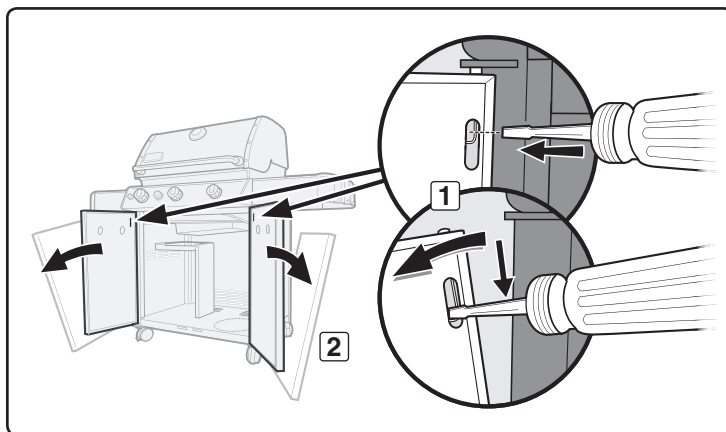
Lorsqu'elle est montée correctement, la fiche ne peut pas être retirée si vous ne repoussez pas le cache en l'arrière.

Pour débrancher, repoussez le cache en arrière puis retirez la fiche de la prise.  
(Ceci coupe automatiquement le gaz.)

## Retirez les Boutons de Commande & le Panneau de Commande pour Détecter les Fuites

Il vous faudra : des tournevis cruciforme & à tête plate.

- Localisez le dégagement de l'épingle de la porte dans l'assemblage de la porte. A l'aide d'un tournevis, enfoncez le dégagement de l'épingle de la porte (1) jusqu'à ce que la porte se détache de l'assemblage du cadre. Retirez la partie supérieure de la porte de l'ensemble du cadre (2) et soulevez la porte pour la retirer de l'épingle d'hubrisse ajustable inférieure.
- Retirez les boutons de commande, le bouton de l'allumeur, l'écrou de rétention, et la pile (3).
- Retirez les vis du déflecteur de vent à l'aide d'un tournevis cruciforme (4).
- Inclinez l'extrémité du déflecteur de vent vers le bas et faites glisser le déflecteur de vent vers l'extérieur pour le retirer (5).
- Laissez le module d'allumage pendre depuis les fils. Ne le débranchez pas (6).
- Retirez les vis du dessous du panneau de commandes à l'aide d'un tournevis cruciforme (7).
- Soulevez légèrement le panneau de commandes, inclinez l'extrémité avant vers le haut et soulevez doucement (8).
- Remettez en place le panneau de commandes et le déflecteur de vent une fois la détection des fuites terminée. ♦



## DETECTION DES FUITES DE GAZ

### ⚠ DANGER

**N'utilisez pas de flamme nue pour effectuer la détection des fuites. Assurez-vous de l'absence de toute étincelle ou flamme nue dans la zone pendant que vous détectez les fuites. La présence d'étincelles ou de flammes nues provoquerait un incendie ou une explosion susceptible d'entraîner des**

**blesures ou un décès ainsi que des dégâts matériels.**

*Remarque : La totalité des raccords effectués en usine fait l'objet d'une détection minutieuse des fuites. Les brûleurs ont été testés à la flamme. Par mesure de sécurité toutefois, vous devriez vérifier à nouveau la totalité des raccords afin de détecter toute fuite avant d'utiliser votre grill à gaz Weber®. L'expédition et la manipulation peuvent desserrer ou détériorer un raccord de gaz.*

**⚠ MISE EN GARDE : Les raccords de gaz de votre grill à gaz ont été testés à l'usine. Nous vous recommandons néanmoins de détecter les fuites pour tous les raccords de gaz avant d'utiliser votre grill à gaz.**

**⚠ MISE EN GARDE : Effectuez ces contrôles de détection des fuites même si votre barbecue a été assemblé par un revendeur ou en boutique.**

Si votre grill est pourvu d'un brûleur latéral, assurez-vous que ce brûleur latéral est éteint.

Ouvrez l'arrivée de gaz à la source.

**⚠ MISE EN GARDE : N'allumez pas les brûleurs lorsque vous détectez les fuites.**

Il vous faudra : Une solution d'eau savonneuse et un chiffon ou une brosse pour l'appliquer.

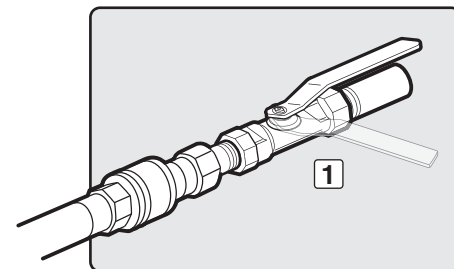
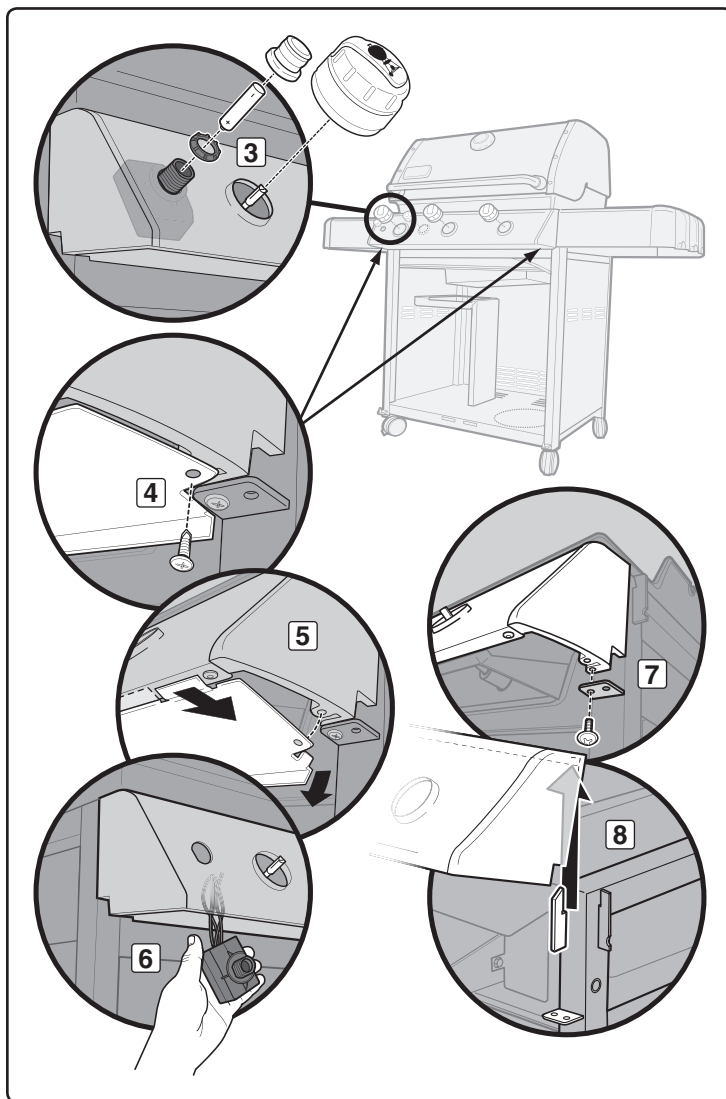
- Mélangez l'eau et le savon.
- Ouvrez l'arrivée de gaz (1).
- Détectez les fuites en humidifiant le raccord à l'aide de la solution d'eau savonneuse et en regardant si des bulles se forment. Si des bulles se forment, ou si une bulle grossit, il y a une fuite.

**S'il y a une fuite, fermez le gaz et serrez le raccord. Ouvrez à nouveau le gaz et vérifiez à nouveau à l'aide de la solution d'eau savonneuse. Si la fuite continue, n'utilisez pas le barbecue. Contactez le représentant du Service client le plus proche à l'aide des coordonnées à votre disposition sur notre site Internet. Connectez-vous sur [www.weber.com](http://www.weber.com).**

- Une fois la détection des fuites terminée, fermez l'arrivée de gaz à la source et rincez les raccords à l'eau.

*Remarque : Dans la mesure où certaines solutions de détection des fuites, notamment l'eau savonneuse, peuvent s'avérer légèrement corrosives, la totalité des raccords devrait être rincée à l'eau après la détection des fuites.*

**⚠ MISE EN GARDE : Vous devriez détecter les fuites à chaque fois que vous déconnectez et reconnectez un raccord de gaz.**





# INSTRUCTIONS RELATIVES AU GAZ

## Vérifiez

- A) Connexion entre le tuyau souple et la tête du brûleur (1).
- B) Connexion entre la conduite de gaz principale et la tête du brûleur (2).
- C) Connexions entre la conduite de gaz principale et le collecteur (3).
- D) Connexion entre la conduite de gaz du brûleur latéral et le collecteur (4).
- E) Raccord entre la conduite du brûleur latéral et la coupe du brûleur latéral (5).
- F) Connexions entre le raccord de la conduite du brûleur latéral et la valve du brûleur latéral (6).

⚠ **MISE EN GARDE : En cas de fuite au niveau d'un raccord (1, 2, 3, 4, 5, ou 6), resserrez le raccord à l'aide d'une clé puis redétectez les fuites à l'aide d'une solution d'eau savonneuse. En cas de persistance d'une fuite une fois que vous avez resserré le raccord, FERMEZ le gaz (OFF). N'UTILISEZ PAS LE GRILL. Contactez le représentant du Service clientèle de votre région à l'aide des coordonnées à votre disposition sur notre site Internet. Connectez-vous sur [www.weber.com](http://www.weber.com).**

- G) Raccord de la déconnexion rapide du brûleur latéral (7).
- H) Raccord entre le tuyau flexible et la déconnexion rapide (8).
- I) Connexions entre les valves et le collecteur (9).

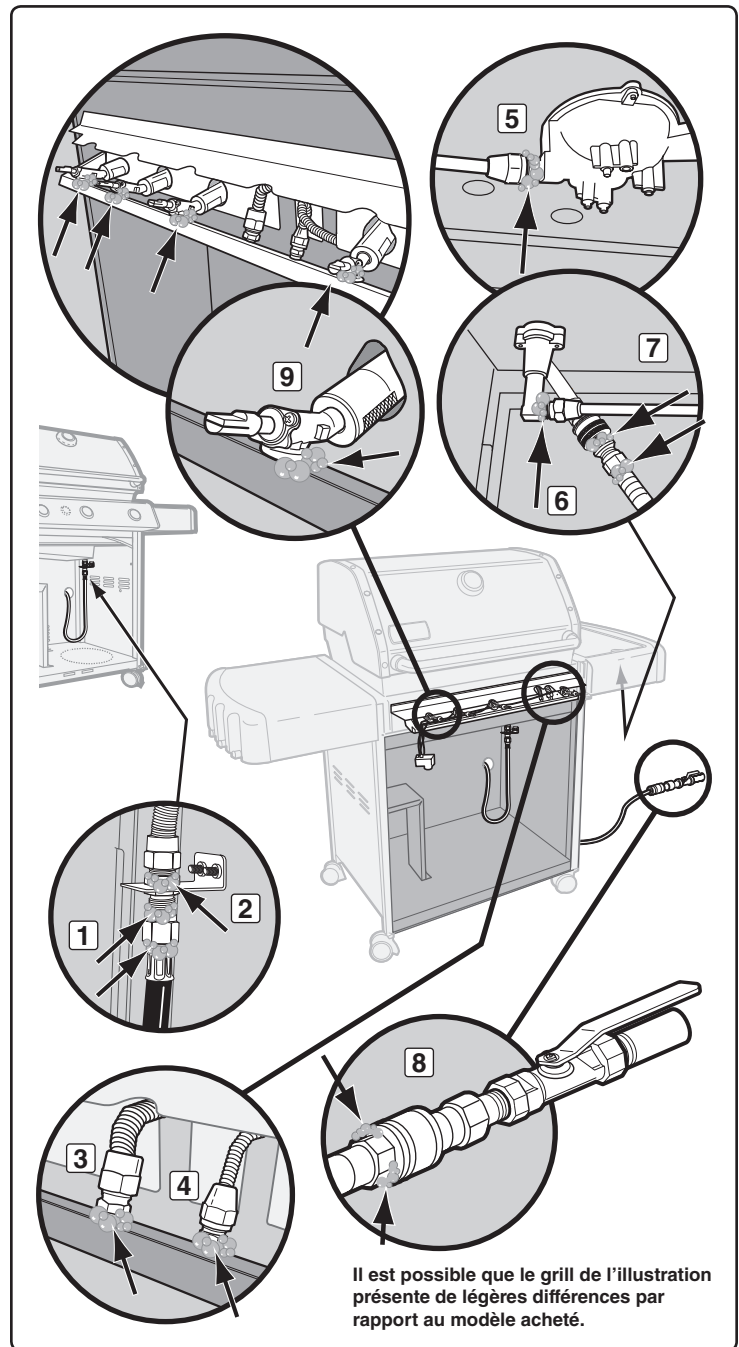
⚠ **MISE EN GARDE : En cas de fuite au niveau des raccords (7, 8, ou 9), FERMEZ le gaz (OFF). N'UTILISEZ PAS LE GRILL. Contactez le représentant du Service clientèle de votre région à l'aide des coordonnées à votre disposition sur notre site Internet. Connectez-vous sur [www.weber.com](http://www.weber.com).**

Une fois que les détections des fuites sont terminées, fermez l'arrivée de gaz à la source (OFF) et rincez les raccords à l'eau.

## Réinstaller le panneau de commande

Il vous faudra : un tournevis cruciforme.

- A) Positionnez l'extrémité supérieure du panneau de commande sur les languettes du châssis. Enfoncez-le en position.
- B) Réinstallez le module de l'allumeur.
- C) Faites glisser les deux languettes les plus courtes du déflecteur de vent vers l'extrémité interne du panneau de commande tandis que vous ferez glisser la languette la plus longue au-dessus de l'extrémité externe. Recherchez les illustrations précédentes pour avoir une référence.
- D) Alignez les vis avec les trous destinés à les recevoir sur le support du panneau de commande ainsi que sur le châssis.
- E) Serrez les vis.
- F) Placez les boutons de commande correspondants sur les tiges des valves. ♦





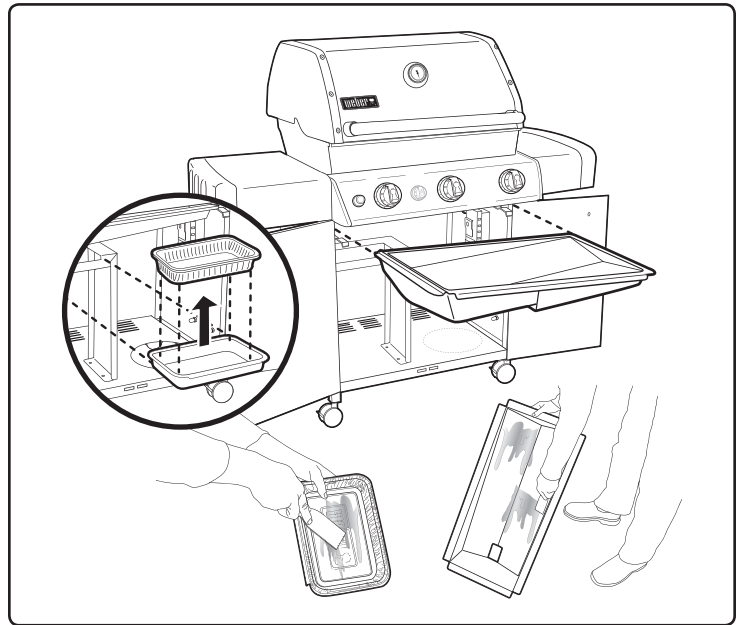
## AVANT D'UTILISER LE GRILL

### PLATEAU DE RECUPERATION DES GRAISSES AMOVIBLE ET EGOUTTOIR JETABLE

Votre grill a été fabriqué avec un dispositif de collecte des graisses intégré. Vérifiez le plateau de récupération des graisses amovible et l'égouttoir jetable afin de détecter la présence d'accumulations de graisses à chaque fois que vous utilisez votre grill.

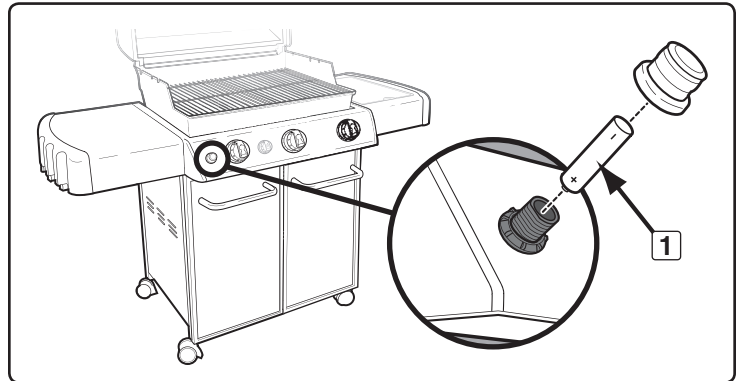
Retirez l'excès de graisse à l'aide d'une spatule en plastique ; voir l'illustration. Lorsque cela s'avère nécessaire, lavez le plateau de récupération des graisses amovible et l'égouttoir jetable à l'aide d'une solution d'eau savonneuse, puis rincez-les à l'eau claire. Remplacez l'égouttoir jetable lorsque son remplacement est nécessaire.

- ⚠ **MISE EN GARDE : Vérifiez si le plateau de récupération des graisses amovible et l'égouttoir jetable contiennent des accumulations de graisses avant utilisation. Retirez les excès de graisse afin d'éviter un embrasement de ces graisses. Un embrasement des graisses risquerait de provoquer une blessure grave ou des dégâts matériels.**
- ⚠ **ATTENTION : Ne couvrez-pas le plateau de récupération des graisses amovible d'une feuille de papier aluminium.** ♦



### INSPECTION DE L'ALLUMEUR ELECTRONIQUE

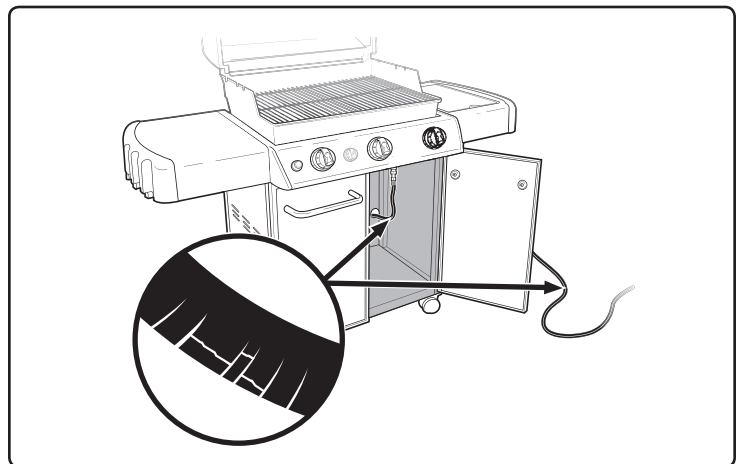
Vérifiez que votre pile AA (alcaline uniquement) est en bon état et qu'elle est correctement installée (1). Certaines piles sont emballées dans un plastique de protection. Ce plastique doit être retiré. Ne confondez pas ce plastique avec l'étiquette de la pile. ♦



### INSPECTION DU TUYAU

Le tuyau devrait être inspecté afin de détecter tout signe de fissure.

- ⚠ **MISE EN GARDE : Vérifiez le tuyau avant chaque utilisation du barbecue afin de détecter toute égratignure, fissure, abrasion ou coupure. Si le tuyau s'avère détérioré de quelque manière que ce soit, n'utilisez pas le barbecue. Remplacez le tuyau en utilisant uniquement un tuyau de rechange agréé par Weber®. Contactez le représentant du Service clientèle de votre région à l'aide des coordonnées à votre disposition sur notre site Internet. Connectez-vous sur [www.weber.com](http://www.weber.com)®.** ♦



# ALLUMAGE & UTILISATION DU BRULEUR PRINCIPAL

## ALLUMAGE DU BRULEUR PRINCIPAL

Remarque : Des instructions brèves pour l'allumage se trouvent à l'intérieur de la porte gauche du meuble.

### ⚠ DANGER

**Le fait de ne pas ouvrir le couvercle lorsque vous allumez les brûleurs du barbecue, ou de ne pas patienter cinq minutes pour laisser le gaz se dissiper si le barbecue ne s'allumait pas, risque de provoquer un embrasement explosif susceptible d'entraîner une blessure grave voire un décès.**

- Ouvrez le couvercle (1).
- Assurez-vous que tous les boutons de commande des brûleurs sont en position ARRÊTÉ (OFF) (2). (Enfoncez le bouton de commande et tournez-le dans le sens des aiguilles d'une montre pour vous assurer qu'il est positionné sur ARRÊTÉ [OFF].)
- Ouvrez la valve d'arrivée de gaz (3).

### Système d'Allumage Électronique

Chacun des boutons de commande actionne un brûleur individuel, et chaque brûleur s'allume à l'aide d'un allumeur électronique. Le système d'allumage électronique allume chaque brûleur individuellement à l'aide d'une étincelle produite par l'électrode de l'allumeur à l'intérieur de la chambre d'allumage Gas Catcher™. Vous générez l'énergie nécessaire à l'étincelle en enfonçant le bouton d'allumage électronique. Vous l'entendrez émettre un déclic.

- Allumez les brûleurs individuellement de gauche à droite. Commencez par le brûleur de gauche ; enfoncez le bouton de commande et positionnez-le sur MARCHE/ELEVE (START/HI) (4). Maintenez enfoncé le bouton d'allumage électronique (5). Vous l'entendrez émettre un déclic. Vérifiez que le brûleur de gauche est allumé en regardant à travers les grilles de cuisson. Vous devriez voir une flamme (6).

**⚠ MISE EN GARDE : Ne vous penchez pas au-dessus du barbecue ouvert.**

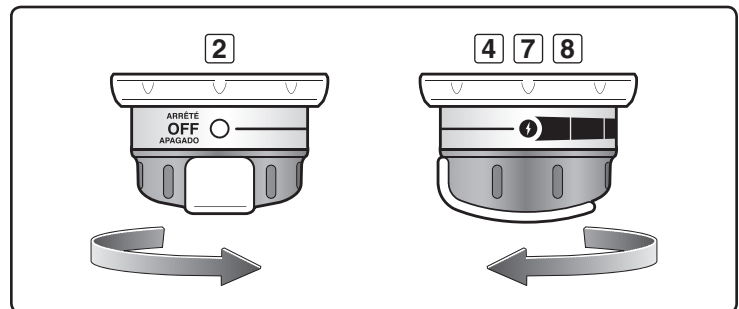
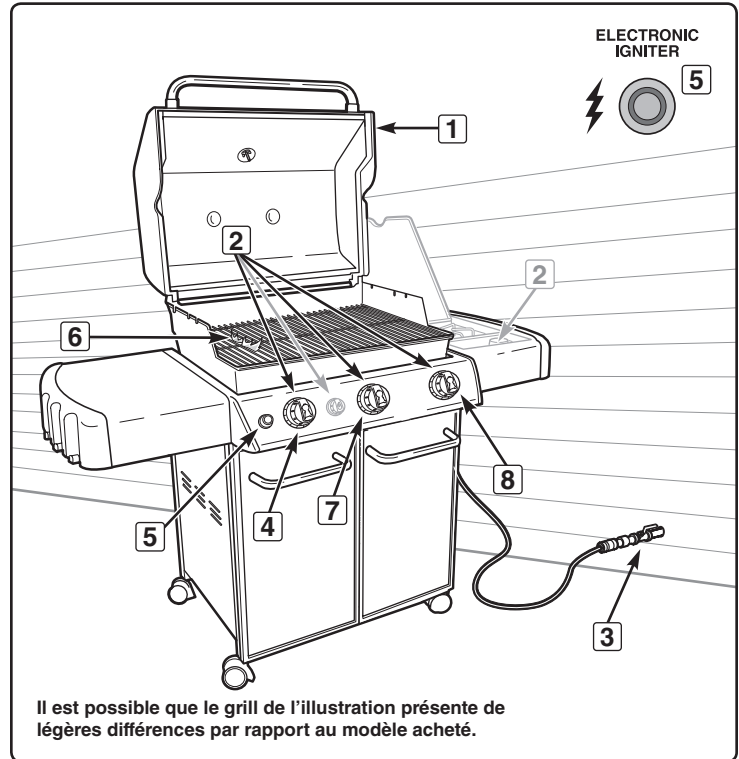
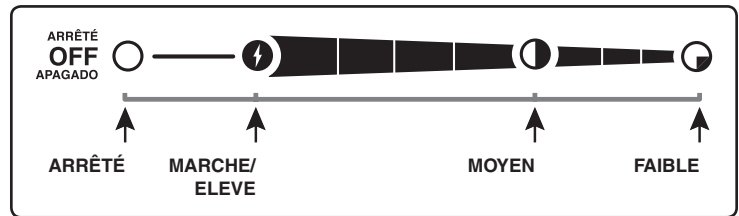
- Allumez le brûleur central en enfonçant le bouton de commande et en le tournant vers MARCHE/ELEVE (START/HI) (7). Ensuite, maintenez enfoncé le bouton d'allumage électronique (5). Vous l'entendrez émettre un déclic. Vérifiez si le brûleur central est allumé en regardant à travers les grilles de cuisson.
- Allumez le brûleur droit en enfonçant le bouton de commande et en le tournant vers MARCHE/ELEVE (START/HI) (8). Maintenez enfoncé le bouton d'allumage électronique (5). Vous l'entendrez émettre un déclic. Confirmez que le brûleur droit est allumé en regardant à travers les grilles de cuisson.

**⚠ MISE EN GARDE : Chacun des brûleurs doit être allumé individuellement en enfonçant le bouton d'allumage électronique. Le non respect de cette consigne de sécurité risque de provoquer un embrasement de gaz susceptible d'entraîner des blessures graves ainsi que des dégâts matériels.**

**⚠ MISE EN GARDE : Si l'un des brûleurs ne s'allume pas pendant l'allumage, en moins de cinq secondes, arrêtez, tournez le bouton de commande du brûleur vers la position ARRÊTÉ (OFF) puis patientez cinq minutes pour laisser le gaz se dissiper avant d'essayer à nouveau ou de l'allumer avec une allumette. ♦**

### POUR ETEINDRE

Enfoncez et tournez chacun des boutons de commande dans le sens des aiguilles d'une montre vers la position ARRÊTÉ (OFF). Fermez l'arrivée de gaz à la source. ♦



# ALLUMAGE & UTILISATION DU BRULEUR PRINCIPAL

## ALLUMAGE MANUEL DU BRULEUR PRINCIPAL

### ⚠ DANGER

Le fait de ne pas ouvrir le couvercle pendant l'allumage des brûleurs du barbecue, ou de ne pas patienter cinq minutes pour laisser le gaz se dissiper si le barbecue ne s'allumait pas, peut provoquer un embrasement explosif susceptible d'entraîner une blessure grave voire un décès.

- A) Ouvrez le couvercle (1).
- B) Assurez-vous que la totalité des boutons de commande du brûleur est en position ARRÊTÉ (OFF) (2). (Enfoncez le bouton de commande et tournez-le dans le sens des aiguilles d'une montre pour vous assurer qu'il est en position ARRÊTÉ (OFF).)
- C) Ouvrez la valve d'arrivée de gaz (3).
- D) Allumez les brûleurs individuellement de gauche à droite. Commencez par le brûleur de gauche. Placez une allumette dans le porte-allumette puis frottez l'allumette. Insérez le porte-allumette avec l'allumette allumée à travers les grilles de cuisson, faites-les dépasser les barres Flavorizer® et arriver à côté du brûleur de gauche (4). Enfoncez le bouton de commande (5) puis tournez-le vers MARCHE/ELEVE (START/HI) pour allumer le brûleur gauche. Vérifiez si le brûleur gauche est allumé en regardant à travers les grilles de cuisson. Vous devriez voir une flamme (6).

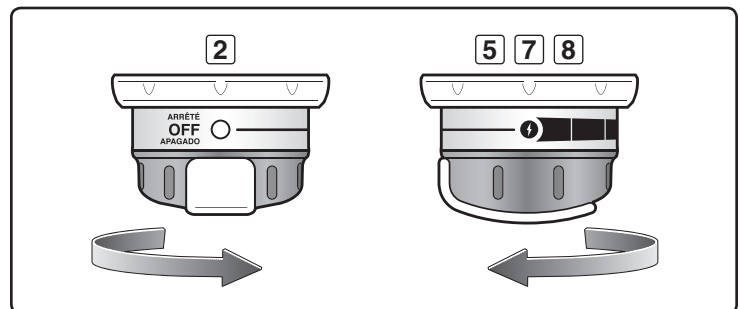
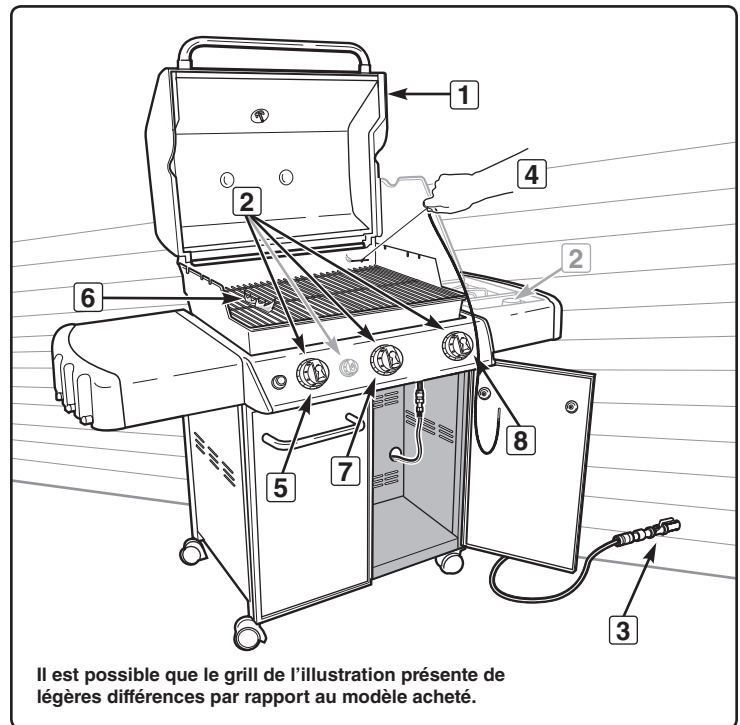
### ⚠ MISE EN GARDE : Ne vous penchez pas au-dessus du barbecue ouvert.

- E) Allumez le brûleur central en plaçant une allumette dans le porte-allumette et en frottant l'allumette. Ensuite, insérez le porte-allumette avec l'allumette allumée à travers les grilles de cuisson, faites-les dépasser les barres Flavorizer® et arriver à côté du brûleur central. Enfoncez le bouton de commande (7) et tournez-le vers MARCHE/ELEVE (START/HI) pour allumer le brûleur central. Vérifiez si le brûleur central est allumé en regardant à travers les grilles de cuisson.
- F) Allumez le brûleur droit en plaçant une allumette dans le porte-allumette et en frottant l'allumette. Ensuite, insérez le porte-allumette avec l'allumette allumée à travers les grilles de cuisson, faites-les dépasser les barres Flavorizer® et arriver à côté du brûleur droit. Enfoncez le bouton de commande (8) et tournez-le vers MARCHE/ELEVE pour allumer le brûleur droit. Vérifiez si le brûleur droit est allumé en regardant à travers les grilles de cuisson.

### ⚠ MISE EN GARDE : Si l'un des brûleurs ne s'allume pas pendant l'allumage, patientez cinq secondes, arrêtez, tournez le bouton de commande du brûleur en position ARRÊTÉ (OFF) puis patientez cinq minutes pour laisser le gaz se dissiper avant d'essayer à nouveau. ♦

## POUR ETEINDRE

Enfoncez et tournez chacun des boutons de commande du brûleur dans le sens des aiguilles d'une montre vers la position ARRÊTÉ (OFF). Fermez l'arrivée de gaz à la source. ♦



# ALLUMAGE & UTILISATION DU BRULEUR SEAR STATION® (MODELE 330)

## ALLUMAGE DU BRULEUR DE LA SEAR STATION®

Le modèle 330 comprend un brûleur à saisir, qui fonctionne comme un brûleur individuel. L'allumage du brûleur à saisir se déroule de la même manière que l'allumage d'un brûleur principal. Pour allumer le brûleur à saisir la viande, voir "ALLUMAGE DU BRULEUR PRINCIPAL." **Suivez la totalité des instructions intitulées étape, danger, et mise en garde lorsque vous allumez le brûleur à saisir comme vous le feriez en allumant un brûleur principal.** ♦

## ALLUMAGE MANUEL DU BRULEUR DE LA SEAR STATION®

Pour allumer manuellement le brûleur à saisir, voir "ALLUMAGE MANUEL DU BRULEUR PRINCIPAL." **Suivez la totalité des instructions intitulées étape, danger, et mise en garde lorsque vous allumez manuellement le brûleur à saisir comme vous le feriez en allumant un brûleur principal.** ♦

## QUE SIGNIFIE SAISIR LA VIANDE ?

La cuisson par saisie est une technique de grillade directe utilisée sur les viandes, comme le steak, les pièces de volaille, le poisson et les côtes. Saisir les aliments fait dorer leur surface à température élevée. En saisissant ou en faisant dorer les deux côtés de la viande, vous caramélisez la surface des aliments, créant ainsi un saveur plus désirable. La saisie optimise également l'aspect de la viande avec des marques de grillade laissées par les grilles de cuisson. Le contraste résultant de textures et de saveurs peut rendre les aliments plus intéressants pour le palais.

Au fur et à mesure que vous gagnez en expérience dans l'utilisation de votre Sear Station®, nous vous encourageons à expérimenter avec différentes durées de saisie afin de trouver les résultats qui correspondent le mieux à votre goût. ♦

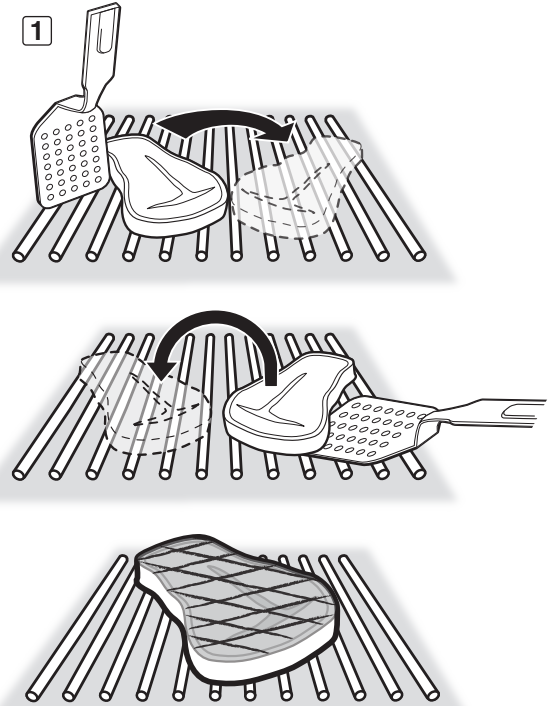
## UTILISATION DU BRULEUR DE LA SEAR STATION®

Le brûleur de la Sear Station® est pourvu de réglages de la commande qui sont ARRÊTÉ (OFF), MARCHE/ELEVE (START/HI), et FAIBLE (LOW) qui fonctionnent avec le brûleur gauche et avec le brûleur central. Avec le brûleur à saisir et les brûleurs adjacents, vous pouvez saisir efficacement les viandes tout en utilisant la zone de cuisson du brûleur droit pour réaliser une grillade à température modérée.

Avant de saisir les aliments, vous devriez tourner la totalité des brûleurs principaux sur ELEVE (HI) pendant quinze minutes afin de préchauffer le grill. Une fois le grill préchauffé, tournez le brûleur droit en position ARRÊTÉ (OFF) ou FAIBLE (LOW). Laissez le brûleur gauche et le brûleur central sur ELEVE (HI) et allumez le brûleur de la Sear Station®.

Placez la viande directement sur la Sear Station®. Vous allez saisir chaque côté entre une et quatre minutes, en fonction du type et de l'épaisseur de la viande. Vous pouvez tourner les aliments d'un quart pour produire des marques de grillade qui se croisent (1) avant de saisir l'autre côté de la même manière.

Une fois que vous avez fini de saisir la viande, vous pouvez terminer la grillade en déplaçant la viande vers une température plus modérée au-dessus du brûleur droit afin d'atteindre le niveau de cuisson souhaité. Grillez toujours les aliments avec le couvercle fermé afin de permettre une température maximale et d'éviter les embrasements. ♦



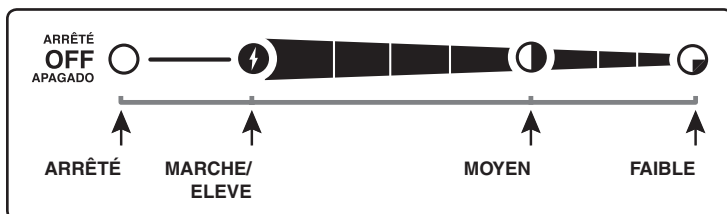
# CONSEILS & ASTUCES POUR LA GRILLADE

- Préchauffez toujours le grill avant la cuisson. Réglez tous les brûleurs sur ELEVE puis fermez le couvercle; laissez chauffer pendant 10 minutes, ou jusqu'à ce que le thermomètre atteigne 500°–550°F (260°–288°C).
- Grillez les viandes et cuisinez avec le couvercle fermé pour des aliments grillés à la perfection à chaque fois.
- Les durées de grillade des recettes sont fournies pour une température extérieure de 70°F (20°C) avec peu ou pas de vent. Laissez les aliments cuire plus longtemps s'il fait froid ou s'il y a du vent, ou en altitude. Diminuez la durée de cuisson si le temps est extrêmement chaud.
- Les durées de grillade sont susceptibles de varier en fonction des conditions météorologiques, ou de la quantité, de la taille, et de la forme des aliments à griller.
- Il est possible que la température de votre grill à gaz atteigne un niveau plus élevé que la normale lors des premières utilisations.
- Les conditions de grillade peuvent nécessiter une adaptation des commandes du brûleur pour atteindre les températures de cuisson correctes.
- En général, les gros morceaux de viande nécessitent une durée de cuisson plus longue par livre que les petits morceaux de viande. Des aliments placés sur une grille de cuisson surchargée devront cuire plus longtemps qu'une petite quantité d'aliments. Les aliments grillés dans des récipients comme les haricots, nécessiteront une durée de cuisson plus longue s'ils sont grillés dans une casserole profonde que s'ils sont cuits dans un plat peu profond.
- Retirez le surplus de matière grasse des steaks, des côtes, et des rôtis en ne laissant pas plus d'1/4 pouce (6.4 mm) de matière grasse. Le fait qu'il y ait moins de matière grasse facilite le nettoyage, et constitue quasiment une garantie contre les embrasements indésirables.
- Les aliments placés directement sur la grille de cuisson au-dessus des brûleurs peuvent avoir besoin d'être retournés ou d'être déplacés vers une zone moins chaude.
- Utilisez des pinces plutôt que des fourchettes pour retourner et manipuler la viande afin d'éviter toute perte de jus de viande. Utilisez deux spatules pour manipuler les gros poissons entiers.
- En cas d'embrasement indésirable, fermez tous les brûleurs et déplacez les aliments vers une autre zone de la grille de cuisson. Toute flamme se résorbera rapidement. Une fois que les flammes se sont éteintes, rallumez le grill. **N'UTILISEZ JAMAIS D'EAU POUR ETEINDRE LES FLAMMES SUR UN GRILL A GAZ.**
- La cuisson de certains aliments, comme les ragoûts ou les filets de poisson fins, nécessite un récipient. Les plats en aluminium jetables sont très pratiques mais vous pouvez utiliser n'importe quel plat métallique avec des gants de cuisiner.
- Assurez-vous toujours que le plateau de récupération des graisses amovible et l'égouttoir sont propres et ne contiennent aucun résidu.
- Ne recouvrez pas le plateau de récupération des graisses amovible avec du papier aluminium. Ceci pourrait empêcher la graisse de s'écouler vers l'égouttoir.
- L'utilisation d'un minuteur vous aidera à savoir lorsque la viande "bien cuite" est sur le point de devenir "trop cuite." ♦

## PRÉCHAUFFAGE

Votre barbecue à gaz Weber® est un appareil qui utilise l'énergie de manière efficace. En fonctionnement, son évaluation BTU est faible et économique. Il est important de préchauffer votre grill avant de l'utiliser. Allumez votre grill en respectant les instructions du présent Manuel de l'utilisateur. Pour le préchauffage : après l'allumage, positionnez tous les brûleurs sur MARCHE/ELEVE, fermez le couvercle, et laissez chauffer jusqu'à ce que la température atteigne un niveau situé entre 500° et 550° F (260° et 290° C), la température de cuisson recommandée. Ceci prendra 10 à 15 minutes en fonction de conditions comme la température de l'air et le vent.

Vous pouvez ajuster les brûleurs individuels selon ce que vous souhaitez. Les réglages des commandes sont MARCHE/ELEVE, MOYEN, FAIBLE, ou ARRÊTÉ.



*Remarque : Au cours des premières utilisations de votre grill, il est possible que la température à l'intérieur du boîtier de cuisson soit plus élevée que ce qui est indiqué dans votre livre de cuisine parce que les surfaces du boîtier de cuisson sont encore réfléchissantes. Les conditions de cuisson, comme le vent et les conditions climatiques, peuvent nécessiter l'ajustement des commandes du brûleur afin d'obtenir les températures de cuisson correctes.*

*Remarque : Si le grill perd de la chaleur pendant la cuisson, veuillez consulter la section intitulée Résolution des problèmes de ce manuel.*

**⚠ MISE EN GARDE : Ne déplacez pas le barbecue à gaz Weber® en cours d'utilisation ou lorsque celui-ci est très chaud.**

Si les brûleurs s'éteignent pendant la cuisson, éteignez tous les brûleurs puis patientez cinq minutes avant de les allumer à nouveau. ♦

## CUISSON COUVERTE

La totalité de la grillade s'effectue avec le couvercle fermé afin d'apporter une chaleur uniforme qui circule de façon homogène. Avec le couvercle fermé, le grill à gaz cuit d'une manière très semblable à un four à convection. Le thermomètre dans le couvercle indique la température de cuisson à l'intérieur du grill. La totalité du préchauffage et de la grillade s'effectue avec le couvercle fermé. N'ouvrez pas pour regarder — vous perdez de la chaleur à chaque fois que vous soulevez le couvercle. ♦

## ÉCOULEMENTS DE JUS ET DE GRAISSES

Les barres Flavorizer® sont conçues pour "fumer" la quantité correcte de jus pour une cuisson savoureuse. Les excédents de jus et de graisses vont s'accumuler dans l'égouttoir au-dessous du plateau de récupération des graisses amovible. Des égouttoirs jetables en aluminium sont disponibles ; ils s'adaptent parfaitement à l'égouttoir.

**⚠ MISE EN GARDE : Vérifiez le plateau de récupération des graisses amovible ainsi que l'égouttoir afin de détecter toute accumulation de graisse avant chaque utilisation. Retirez tout excès de matière grasse afin d'éviter un embrasement de graisse à l'intérieur du plateau de récupération des graisses amovible.** ♦

## SYSTÈME FLAVORIZER®

Lorsque les jus de viandes s'écoulent des aliments vers les barres Flavorizer® disposées selon un angle particulier, elles créent de la fumée qui donne aux aliments une saveur de barbecue irrésistible. Grâce à la conception unique des brûleurs, des barres Flavorizer® et aux commandes de température souples, les embrasements incontrôlés sont presque éliminés, parce que VOUS contrôlez les flammes. En raison du design particulier des barres Flavorizer® et des brûleurs, les graisses en excès sont orientées vers le plateau de récupération des graisses amovible puis dans l'égouttoir. ♦



# ALLUMAGE & UTILISATION DU BRULEUR LATÉRAL

## ALLUMAGE DU BRULEUR LATÉRAL

Vous trouverez des instructions d'allumage résumées à l'intérieur de la porte gauche du placard.

### ⚠ DANGER

Le fait de ne pas ouvrir le couvercle lorsque vous allumez le brûleur latéral, ou de ne pas patienter cinq minutes pour laisser le gaz se dissiper si le brûleur latéral ne s'allumait pas, pourrait provoquer un embrasement explosif susceptible d'entraîner une blessure grave ou la mort.

⚠ **MISE EN GARDE:** Vérifiez le tuyau avant chaque utilisation du barbecue afin de détecter toute entaille, fissure, abrasion ou coupure. Si vous trouvez que le tuyau est détérioré de quelque manière que ce soit, n'utilisez pas le barbecue. Remplacez-le en utilisant uniquement un tuyau de rechange agréé par Weber®. Veuillez entrer en contact avec le Représentant du Service clientèle le plus proche au moyen des coordonnées à votre disposition sur notre site Internet. Connectez-vous sur [www.weber.com](http://www.weber.com)®.

- Ouvrez le couvercle du brûleur latéral (1).
- Vérifiez que le brûleur latéral est positionné sur ARRÊTÉ (2). (Enfoncez le bouton de commande et tournez dans le sens des aiguilles d'une montre pour vous assurer qu'il est positionné sur ARRÊTÉ), positionnez tous les brûleurs inutilisés sur ARRÊTÉ (Enfoncez et tournez dans le sens des aiguilles d'une montre).
- Ouvrez la valve d'arrivée de gaz (3).
- Enfoncez et tournez la valve de commande du brûleur latéral vers MARCHÉ/ELEVE (4).
- Enfoncez le bouton d'allumage plusieurs fois de sorte que celui-ci émette un déclic à chaque fois jusqu'à ce que vous voyez une flamme (5).

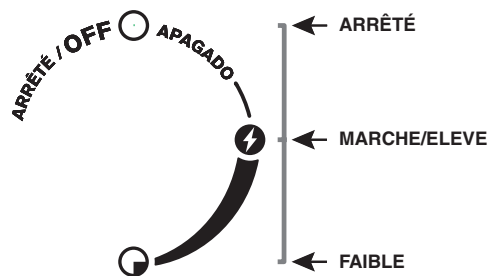
⚠ **ATTENTION:** Il peut être difficile de voir la flamme du brûleur latéral par une journée claire et ensoleillée.

⚠ **MISE EN GARDE:** si le brûleur latéral ne s'allume pas dans un délai de cinq secondes:

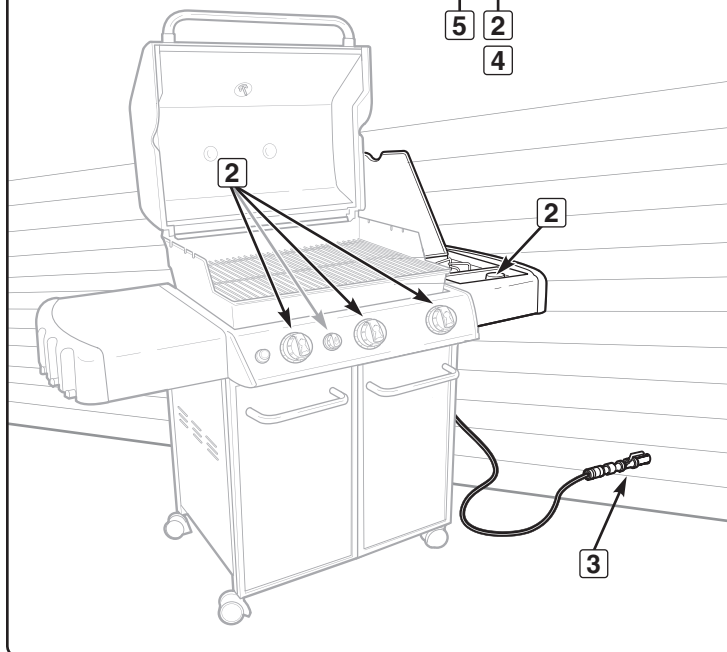
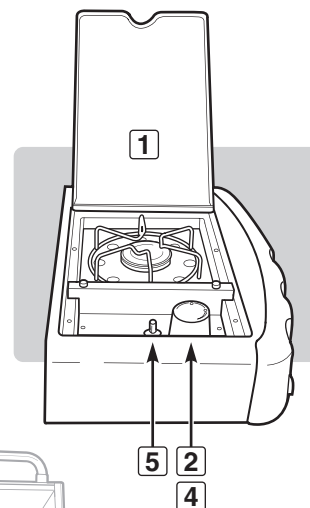
- Fermez la valve de commande du brûleur latéral, les brûleurs principaux et l'arrivée de gaz à la source.
- Patiencez cinq minutes pour laisser le gaz se dissiper avant d'essayer à nouveau, ou essayez de l'allumer avec une allumette (voir "ALLUMAGE MANUEL DU BRULEUR LATÉRAL"). ♦

### POUR ÉTEINDRE

Enfoncez et tournez le bouton de commande du brûleur latéral vers la position d'ARRÊT (OFF). Assurez-vous que le brûleur est éteint et qu'il a refroidi avant de fermer le couvercle du brûleur latéral. ♦



Il est possible que le grill de l'illustration présente de légères différences par rapport au modèle acheté.



# ALLUMAGE & UTILISATION DU BRULEUR LATÉRAL

## ALLUMAGE MANUEL DU BRULEUR LATÉRAL

### ⚠ DANGER

Le fait de ne pas ouvrir le couvercle lorsque vous allumez le brûleur latéral ou de ne pas patienter cinq minutes pour laisser le gaz se dissiper si le brûleur latéral ne s'allumait pas pourrait provoquer un embrasement explosif susceptible de provoquer une blessure grave ou la mort.

- A) Ouvrez le couvercle du brûleur latéral (1).
- B) Vérifiez que le brûleur latéral est positionné sur ARRÊTÉ (2). (Enfonchez le bouton de commande et tournez dans le sens des aiguilles d'une montre pour vous assurer qu'il est positionné sur ARRÊTÉ), positionnez tous les brûleurs inutilisés sur ARRÊTÉ (Enfonchez et tournez dans le sens des aiguilles d'une montre).
- C) Ouvrez la valve d'arrivée de gaz (3).
- D) Placez une allumette dans un porte-allumette et frottez-la.
- E) Tenez le porte-allumette et allumez les deux côtés du brûleur avec l'allumette (4).
- F) Enfonchez et tournez la valve de commande du brûleur latéral pour la positionner sur MARCHE/ELEVE (5).

⚠ **ATTENTION:** Il peut être difficile de distinguer la flamme du brûleur latéral par une journée claire et ensoleillée.

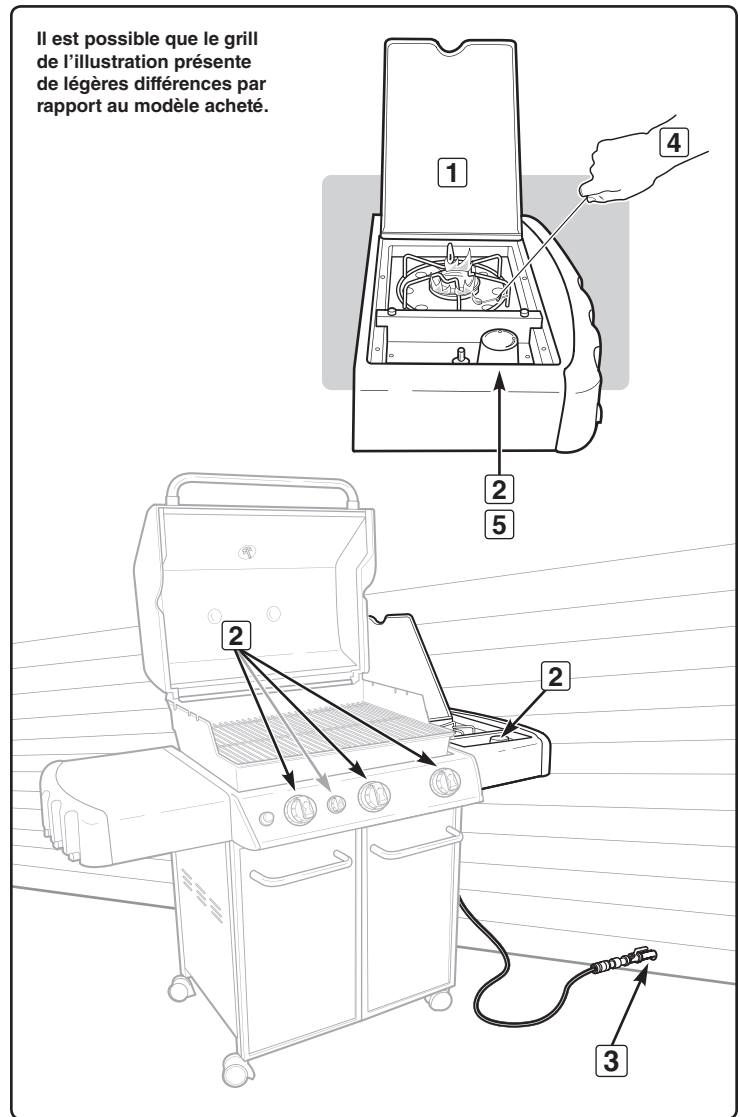
⚠ **MISE EN GARDE:** si le brûleur latéral ne s'allume pas dans un délai de cinq secondes:

- a) Fermez la valve de commande du brûleur latéral, les brûleurs principaux et l'arrivée de gaz à la source.
- b) Patientez cinq minutes pour laisser le gaz se dissiper avant d'essayer à nouveau. ♦

### POUR ÉTEINDRE

Enfonchez et tournez le bouton de commande du brûleur latéral vers la position d'ARRÊT (OFF). Assurez-vous que le brûleur est éteint et qu'il a refroidi avant de fermer le couvercle du brûleur latéral. ♦

Il est possible que le grill de l'illustration présente de légères différences par rapport au modèle acheté.





## DEPANNAGE

PROBLEME	VERIFICATION	SOLUTION
Les brûleurs brûlent avec une flamme jaune ou orange, associée à une odeur de gaz.	Inspectez les grilles anti insectes/araignées pour détecter toute obstruction éventuelle. (Blocage des trous.)	Nettoyez les grilles anti araignées/insectes. Voir "MAINTENANCE ANNUELLE".
Le brûleur ne s'allume pas ou la flamme est basse en position ELEVE.	Le tuyau de combustible est-il plié ou pincé ?	Redressez le tuyau de combustible.
Le brûleur ne s'allume pas lorsque vous enfoncez le bouton de l'allumeur.	Assurez-vous que du gaz circule en direction des brûleurs en tentant d'allumer vos brûleurs avec une allumette. Voir "ALLUMAGE MANUEL DU BRULEUR PRINCIPAL.	Si l'allumage avec une allumette réussit, cela signifie que le problème vient du dispositif d'allumage. Voir "UTILISATION DU SYSTEME D'ALLUMAGE ELECTRONIQUE.
	Une pile neuve a-t-elle été installée ?	Vérifiez que la pile est en bon état et correctement en place. Voir "INSPECTION DE L'ALLUMEUR ELECTRONIQUE".
	Les câbles sont-ils correctement raccordés au module d'allumage ?	Assurez-vous que les câbles sont correctement insérés dans les terminaux sur le boîtier d'allumage. Voir "UTILISATION DU SYSTEME D'ALLUMAGE ELECTRONIQUE".
	Y a-t-il un emballage plastique autour de la pile neuve	Retirez l'emballage plastique.
En cas d'embrasements : <b>⚠ ATTENTION : Ne recouvrez pas le plateau amovible de récupération des graisses avec du papier aluminium.</b>	Préchauffez-vous le barbecue selon la méthode recommandée ?	Tous les brûleurs sur ELEVE pendant 10 à 15 minutes pour le préchauffage.
	Y a-t-il une forte accumulation de graisse carbonisée sur les grilles de cuisson, les déflecteurs de chaleur et les barres Flavorizer® ?	Nettoyez de manière approfondie. Voir "NETTOYAGE".
	Est-ce que le plateau amovible de récupération des graisses est sale et empêche la graisse de s'écouler vers l'égouttoir ?	Nettoyez le plateau amovible de récupération des graisses.
La forme de la flamme du brûleur est irrégulière. La flamme est basse lorsque le brûleur est réglé sur ELEVE. Les flammes ne se trouvent pas sur toute la longueur du tube du brûleur.	Les brûleurs sont-ils propres ?	Nettoyez les brûleurs. Voir "MAINTENANCE".
L'intérieur du couvercle semble s'écailler. (Ressemble à de la peinture qui s'écaille.)	L'intérieur du couvercle est composé de porcelaine émaillée ou d'acier inoxydable, et il n'est pas peint. Il ne peut pas s'écailler. Ce que vous voyez c'est de la graisse carbonisée qui s'envole sous forme de flocons <b>CE N'EST PAS UN DEFAUT.</b>	Nettoyez de manière approfondie. Voir "NETTOYAGE".
Les portes du meuble ne sont pas en face l'une de l'autre.	Vérifiez la goupille d'ajustement au bas de chaque porte.	Desserrez le ou les écrous d'ajustement. Faites glisser la ou les portes jusqu'à ce qu'elles soient en face. Serrez l'écrou.
Si les problèmes ne peuvent pas être corrigés en utilisant ces méthodes, veuillez contacter le représentant du Service clientèle de votre région à l'aide des coordonnées à votre disposition sur notre site Internet. Connectez-vous sur <a href="http://www.weber.com">www.weber.com</a> ®.		

## DEPANNAGE DU BRULEUR LATERAL

PROBLEME	VERIFICATION	SOLUTION
Le brûleur latéral ne s'allume pas.	L'arrivée de gaz est-elle fermée ?	Ouvrez l'arrivée de gaz.
La flamme est petite en position HI.	Le tuyau d'alimentation en combustible est-il plié ou pincé ?	Redressez le tuyau.
L'allumage par bouton poussoir ne fonctionne pas.	Le brûleur s'allume-t-il avec une allumette ?	Si l'allumette allume le brûleur, vérifiez l'allumeur. Voir "MAINTENANCE DU BRULEUR LATERAL".
Si vous ne parvenez pas à résoudre les problèmes en utilisant ces méthodes, veuillez entrer en contact avec le Représentant du Service clientèle le plus proche grâce aux coordonnées à votre disposition sur notre site Internet. Connectez-vous sur <a href="http://www.weber.com">www.weber.com</a> ®.		

## NETTOYAGE

- ⚠ **MISE EN GARDE : Fermez votre barbecue à gaz Weber® et attendez que celui-ci ait refroidi avant de le nettoyer.**
- ⚠ **ATTENTION : Ne nettoyez pas vos barres Flavorizer® ou vos grilles de cuisson dans un four auto-nettoyant.**

**Surfaces externes** — Utilisez une solution d'eau savonneuse chaude pour le nettoyage, ensuite rincez à l'eau.

- ⚠ **ATTENTION : N'utilisez pas de nettoyant pour four, de détergents abrasifs (détergents de cuisine), de détergents contenant des agrumes, ni des tampons de nettoyage abrasifs sur les surfaces du barbecue ou du chariot.**

**Sortez le plateau de récupération des graisses amovible en le faisant glisser** — Retirez la graisse en excès, puis lavez à l'eau savonneuse chaude, avant de rincer.

- ⚠ **ATTENTION : Ne recouvrez pas le plateau de récupération des graisses amovible de papier aluminium.**

**Barres Flavorizer® et grilles de cuisson** — Nettoyez-les avec une brosse en acier inoxydable adaptée. Si nécessaire, retirez-les du grill et lavez-les à l'eau savonneuse chaude, puis rincez-les à l'eau.

**Pour connaître la disponibilité des grilles de cuisson et des barres Flavorizer® de rechange, veuillez entrer en contact avec le Représentant du Service clientèle de votre région grâce aux coordonnées à votre disposition sur notre site Internet. Connectez-vous sur [www.weber.com](http://www.weber.com).**

**Egouttoir** — Nous proposons des plats en aluminium jetables, ou vous pouvez recouvrir l'égouttoir de papier aluminium. Pour nettoyer l'égouttoir, lavez-le à l'eau savonneuse chaude, puis rincez-le.

**Thermomètre** — Essuyez-le avec de l'eau savonneuse chaude ; nettoyez-le avec une balle de plastique à récurer.

**Boîtier de cuisson** — Retirez tout débris en le brossant vers l'extérieur des tubes du brûleur. **N'ELARGISSEZ PAS LES PORTS (OUVERTURES)**. Lavez l'intérieur du boîtier de cuisson à l'eau savonneuse chaude puis rincez à l'eau.

**Intérieur du couvercle** — Lorsque le couvercle est encore chaud, essuyez l'intérieur avec une serviette en papier pour empêcher toute accumulation de graisse. Les éclats de graisse accumulés ressemblent à des éclats de peinture.

**Surfaces en acier inoxydable** — Lavez les surfaces avec un chiffon doux et une solution d'eau savonneuse. Veillez à frotter dans le sens du grain de l'acier inoxydable.

**N'utilisez pas de produits de nettoyage contenant de l'acide, des alcools minéraux, ou du xylène. Rincez bien une fois le nettoyage terminé.**

**Préservez votre acier inoxydable** — Votre grill ou son placard, son couvercle, son panneau de commandes ainsi que ses étagères peuvent être en acier inoxydable. Préserver l'aspect optimal de l'acier inoxydable n'est pas compliqué. Nettoyez à l'eau savonneuse, rincez à l'eau claire, et essuyez pour sécher. Pour les particules tenaces, vous pouvez utiliser une brosse non métallique.

- ⚠ **IMPORTANT : N'utilisez pas de brosse métallique ni de détergents abrasifs sur les surfaces en acier inoxydable de votre grill car ceci le rayerait.**
- ⚠ **IMPORTANT : Lorsque vous nettoyez les surfaces assurez-vous de frotter/essuyer dans le sens du grain pour préserver l'aspect de votre acier inoxydable. ♦**

## GRILLES ANTI-ARAIGNÉES/INSECTES WEBER®

Votre barbecue à gaz Weber®, comme tout appareil à gaz d'extérieur, constitue une cible pour les araignées et les autres insectes. Ceux-ci peuvent faire leur nid dans la section des venturi (1) des tubes du brûleur. Ceci bloque le débit normal du gaz, et risque de provoquer le retour du gaz à l'extérieur de l'ouverture destinée à l'air nécessaire à la combustion. Ceci pourrait entraîner un incendie à l'intérieur et autour des ouvertures destinées à recevoir l'air nécessaire à la combustion, au-dessous du panneau de commandes, provoquant une détérioration grave de votre barbecue.

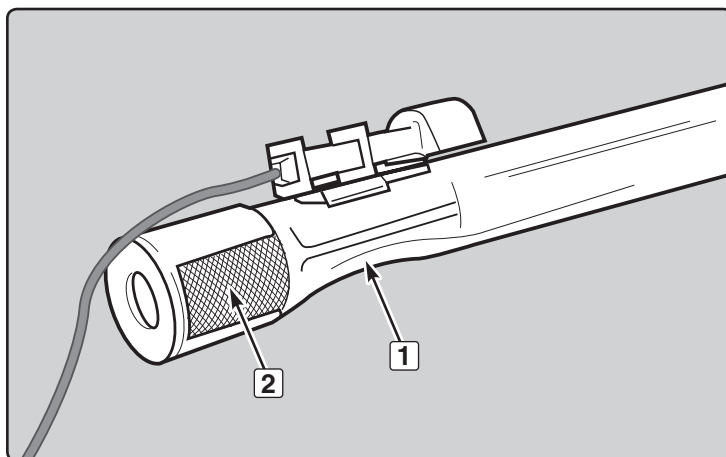
L'ouverture destinée à recevoir l'air nécessaire à la combustion est protégée par une grille en acier inoxydable (2) afin d'empêcher les araignées et les autres insectes d'accéder aux tubes du brûleur à travers les ouvertures de circulation de l'air nécessaire à la combustion.

**Nous vous recommandons d'inspecter les grilles anti-araignées/insectes au moins une fois par an. (Voir la Section "MAINTENANCE ANNUELLE.")** Veuillez également inspecter et nettoyer les grilles anti-araignées/insectes si l'un des symptômes suivant se produisait :

- A) Une odeur de gaz est émise et en même temps les flammes du brûleur semblent jaunes et peu vigoureuses.
- B) Le barbecue n'atteint pas la température.
- C) Le barbecue ne chauffe pas de façon homogène.
- D) Un ou plusieurs brûleurs ne s'allument pas.

### ⚠ DANGER

**Le fait de ne pas corriger les symptômes mentionnés ci-dessus pourrait entraîner un incendie, susceptible de provoquer une blessure grave ou la mort et des dommages à la propriété. ♦**



## NETTOYAGE OU REMPLACEMENT DES TUBES DU BRULEUR

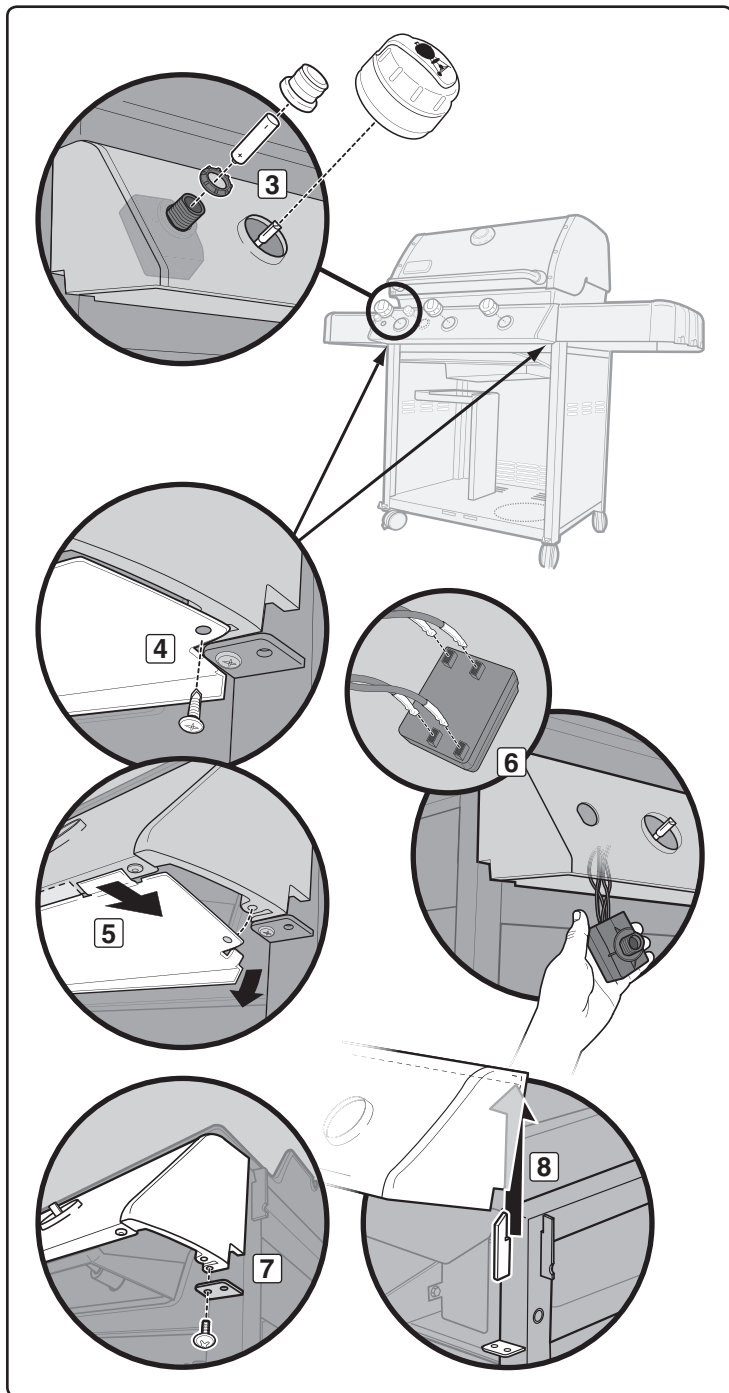
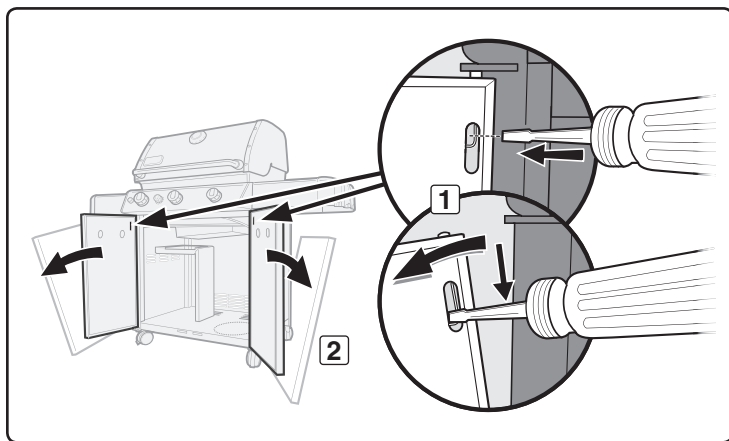
Il vous faudra : un tournevis cruciforme, un tournevis à tête plate, et une clé à écrou de 5/16".

- A) Votre barbecue à gaz Weber® doit être ETEINT et refroidi.
- B) FERMEZ le gaz à la source.
- C) Retirez les composants du boîtier de cuisson - grille de maintien au chaud, grilles et barres Flavorizer®. (Les plaques de diffusion de la chaleur n'ont pas besoin d'être retirées.)

### Retrait du Panneau de Commande

Pour retirer le panneau de commande :

- A) Localisez le dégagement de l'épingle de porte dans l'assemblage de la porte. A l'aide d'un tournevis, enfoncez le dégagement de l'épingle de porte (1) jusqu'à ce que la porte se détache de l'assemblage du cadre (2) et soulevez la porte pour la retirer de l'épingle à gonds ajustable inférieure.
- B) Retirez les boutons de commande, le bouton de l'allumeur, l'écrou de rétention de l'allumeur ainsi que la pile (3).
- C) Retirez les vis du déflecteur de vent (4) situé au-dessous du panneau de commande à l'aide d'un tournevis cruciforme.
- D) Inclinez l'extrémité du déflecteur de vent vers le bas puis faites-le glisser vers l'extérieur pour le retirer (5).



- E) Retirez le module de l'allumeur du panneau de commande (6) puis retirez la totalité des quatre fils du module.
- F) Retirez les vis du dessous du panneau de commande avec le tournevis cruciforme (7).
- G) Soulevez légèrement le panneau de commande, inclinez l'extrémité avant vers le haut puis soulevez-le doucement vers le haut pour le retirer (8).

## Retrait du Tube du Brûleur

Pour retirer le(s) tube(s) du brûleur :

- A) Retirez le(s) fil(s) de la ou des pince(s) de l'allumeur (9).
- B) Retirez la vis qui retient le tube du brûleur contre le boîtier de cuisson à l'aide d'une clé à écrou de 5/16" (10).
- C) Tirez sur l'ensemble du tube du brûleur (ceci comprend l'allumeur) vers le haut puis à l'extérieur du boîtier de cuisson (11).

*Remarque : 310/320 unités auront un câble de raccordement à la terre supplémentaire fixé au tube du brûleur central (12).*

## Nettoyage du Tube du Brûleur

Pour nettoyer le(s) tube(s) du brûleur :

- A) Regardez à l'intérieur de chaque brûleur avec une lampe torche (13).
- B) Nettoyez l'intérieur des brûleurs avec un fil de fer (14) (un cintre déplié fonctionnera).
- C) Vérifiez et nettoyez l'orifice de l'obturateur d'air aux extrémités des brûleurs. Vérifiez et nettoyez les orifices de la valve à la base de chaque valve. Utilisez une brosse en fils d'acier pour nettoyer l'extérieur des brûleurs (15). Ceci a pour but de vous assurer que les ports du brûleur sont complètement ouverts.

**⚠ ATTENTION : N'élargissez pas les ports du brûleur pendant que vous les nettoyez.**

## Réinstallation du Tube du Brûleur

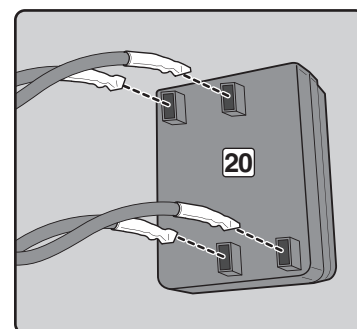
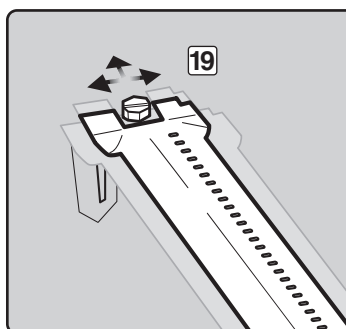
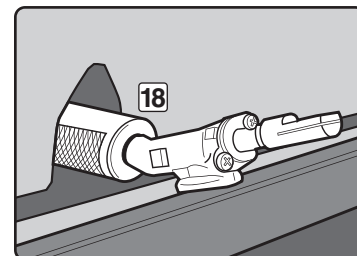
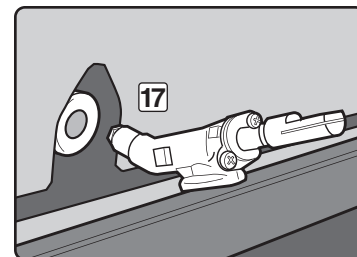
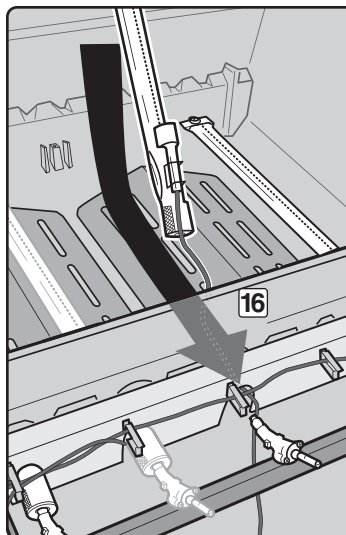
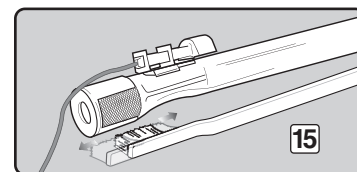
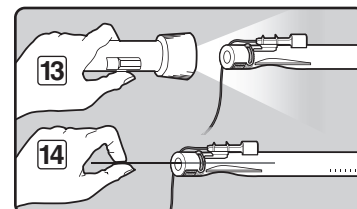
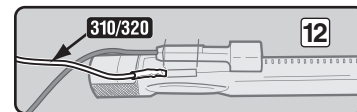
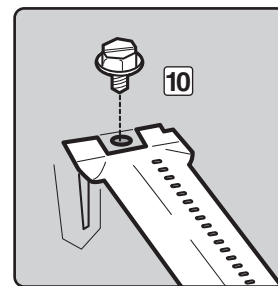
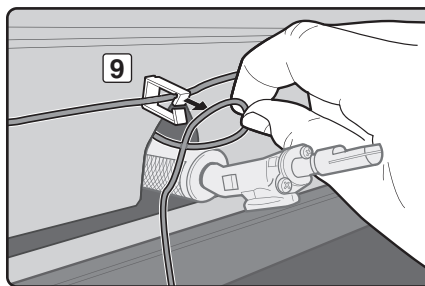
Pour réinstaller le tube du brûleur :

- A) Faites glisser le tube du brûleur et le câble de l'allumeur à travers le trou dans le boîtier de cuisson (16). Voir "UTILISATION DES SYSTEMES D'ALLUMAGE ELECTRONIQUES" pour la position correcte du brûleur.
- B) Alignez le tube du brûleur en face de la valve.
- ⚠ ATTENTION : Les ouvertures du brûleur (17) doivent être correctement positionnées au-dessus des orifices des valves (18).**
- C) Remettez en place les vis qui maintiennent le tube du brûleur contre le boîtier de cuisson à l'aide d'un tournevis plat. Le tube du brûleur peut sembler desserré (19) alors que la vis est ajustée. Ceci est normal.
- D) Faites passer les fils à nouveau à travers les pinces de l'allumeur. Voir le schéma (9).
- ⚠ ATTENTION : Tous les fils doivent être correctement orientés à travers les pinces prévues pour maintenir les fils.**

- E) Fixez les fils au module, en respectant le codage numérique/par couleur (20). Voir "UTILISATION DU SYSTEME D'ALLUMAGE ELECTRONIQUE" pour la fixation correcte des fils.

**⚠ MISE EN GARDE: Après avoir réinstallé les tuyaux à gaz, procédez à la détection de fuites éventuelles à l'aide d'une solution savonneuse avant d'utiliser le grill barbecue. (Voir étape: "DETECTION DES FUITES DE GAZ.")**

**⚠ MISE EN GARDE : Assurez-vous que toutes les pièces sont assemblées et que la quincaillerie est complètement serrée avant d'utiliser le grill. Vos actions, si vous ne respectez pas cette Mise en garde concernant le produit, peuvent provoquer un incendie, une explosion, ou une défaillance structurelle entraînant une blessure grave voire un décès ainsi que des dégâts matériels. ♦**



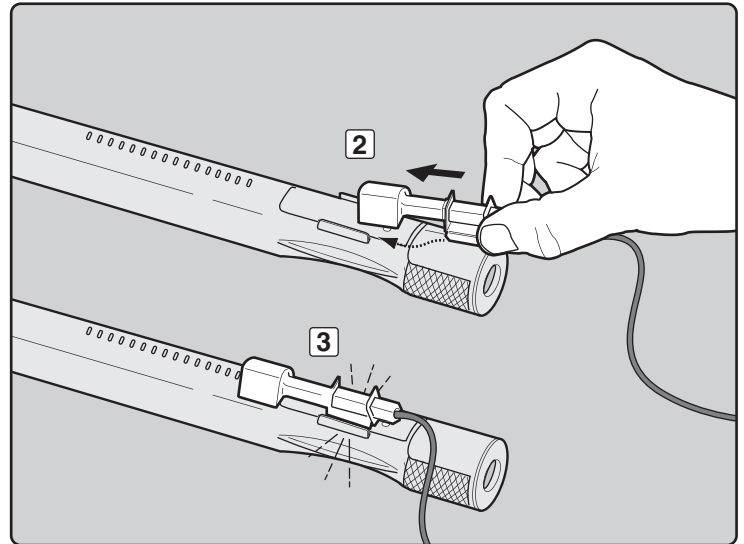
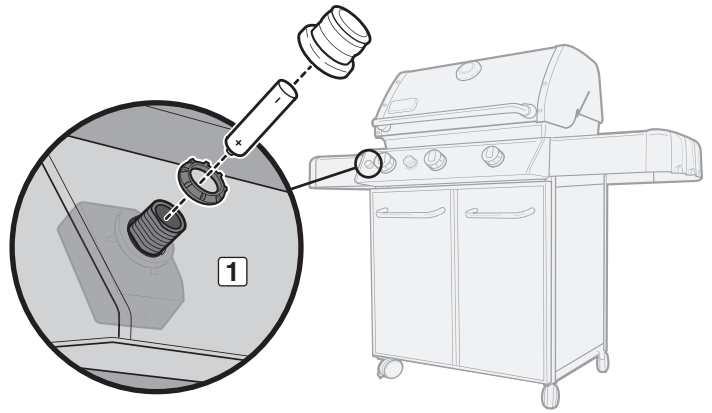
## UTILISATION DU SYSTEME D'ALLUMAGE ELECTRONIQUE

Si le Système d'allumage électronique n'allume pas le brûleur, assurez-vous que le gaz circule bien en essayant d'allumer vos brûleurs avec une allumette. Voir "ALLUMAGE MANUEL DU BRULEUR PRINCIPAL". Si l'allumage avec une allumette réussit, le problème réside dans l'allumage électronique.

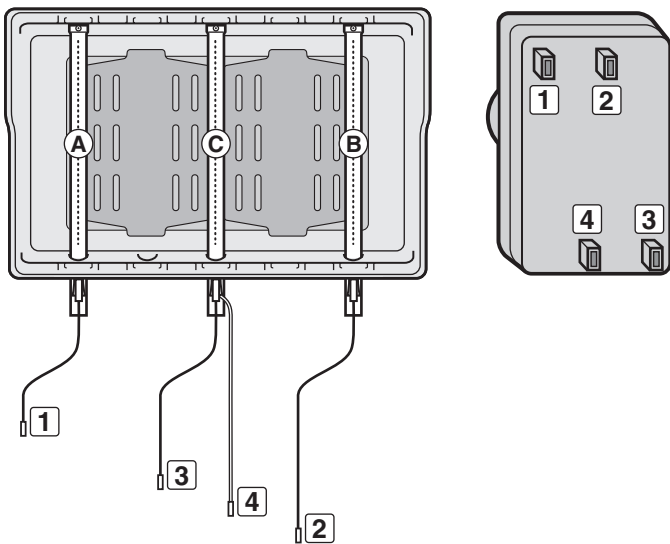
**⚠ MISE EN GARDE : La totalité des commandes de gaz et des valves d'arrivée de gaz devrait être en position FERMEE (OFF).**

- Vérifiez que la pile AA (alcaline uniquement) est en bon état et qu'elle est installée correctement (1). Certaines piles sont emballées dans un plastique de protection. Ce plastique doit être retiré. Ne confondez pas ce plastique avec l'étiquette de la pile.
- Assurez-vous que les câbles d'allumage sont correctement fixés sur le module de l'allumeur. Voir le "GUIDE DE CABLAGE DU MODULE DE L'ALLUMEUR" ci-dessous.
- Assurez-vous que l'assemblage de l'allumeur céramique est complètement positionné à l'intérieur du canal de l'allumeur du tube du brûleur (2). Si le positionnement est correct, vous entendrez un déclic (3).
- Assurez-vous que le bouton de l'Allumage électronique fonctionne en écoutant et en regardant pour détecter les étincelles au niveau du brûleur.

Si le Système d'allumage électronique ne s'allume toujours pas, contactez le représentant du Service clientèle de votre région à l'aide des coordonnées à votre disposition sur notre site Internet. Connectez-vous sur [www.weber.com](http://www.weber.com)®. ♦

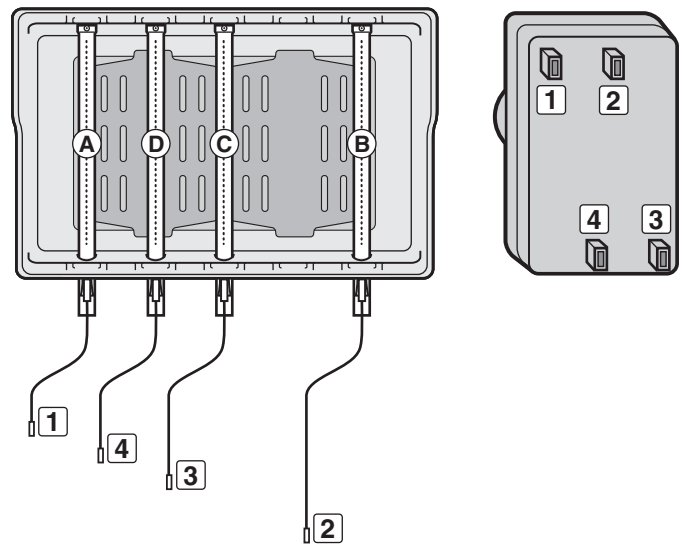


### GUIDE DE CABLAGE DU MODULE DE L'ALLUMEUR 310/320



Couleur extrémité de câble & terminal	Tube du brûleur
Noir (1)	Brûleur gauche (A)
Jaune (2)	Brûleur droit (B)
Bleu (3)	Brûleur central (C)
Vert (Raccordement à la terre) (4)	Brûleur central (C)

### GUIDE DE CABLAGE DU MODULE DE L'ALLUMEUR 330



Couleur extrémité de câble & terminal	Tube du brûleur
Noir (1)	Brûleur gauche (A)
Jaune (2)	Brûleur droit (B)
Bleu (3)	Brûleur central (C)
Vert (4)	Brûleur Sear (D)

## MAINTENANCE DU BRÛLEUR LATÉRAL

**⚠ MISE EN GARDE: La totalité des commandes de gaz et des valves d'alimentation devraient être positionnées sur ARRÊTÉ.**

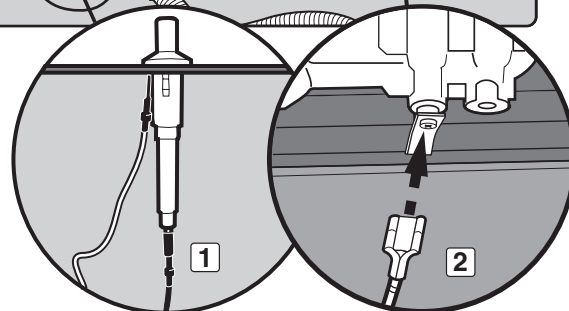
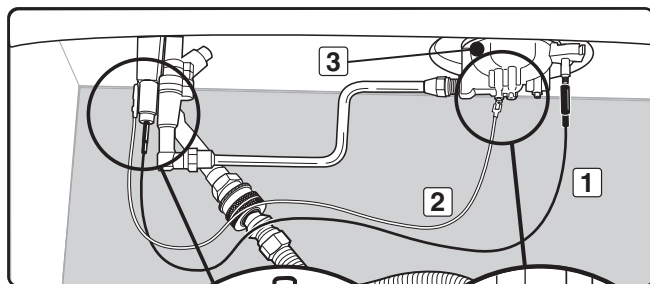
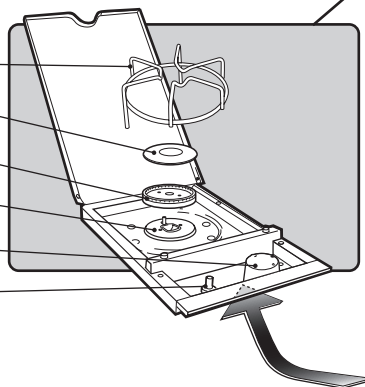
Assurez-vous que le câble noir est branché entre l'allumeur et l'électrode.

Assurez-vous que le câble blanc est branché entre l'allumeur et la pince de raccordement à la terre.

L'étincelle devrait être blanche/bleue, pas jaune.

- A) Câble de l'allumeur (1)
- B) Câble de raccordement à la terre (2)
- C) Brûleur (3) ♦

Grille du brûleur latéral  
Cache du brûleur latéral  
Anneau et tête du brûleur latéral  
Electrode de l'allumeur  
Bouton de commande  
Allumeur



## MAINTENANCE ANNUELLE

### Inspection et Nettoyage de la Grille Anti-Araignées/Insectes

Pour inspecter les grilles anti-araignées/insectes, retirez le panneau de commandes. En cas de présence de poussière ou d'impuretés sur les grilles, retirez les brûleurs pour nettoyer les grilles.

Brossez légèrement les grilles anti-araignées/insectes avec une brosse à poils souples (par exemple, une vieille brosse à dents).

**⚠ ATTENTION : Ne nettoyez pas les grilles anti-araignées/insectes à l'aide d'ustensiles durs ou coupants. Ne délogez pas les grilles-anti araignées/insectes de leurs emplacements et n'élargissez pas les ouvertures des grilles.**

Tapotez légèrement le brûleur pour faire sortir les débris et les impuretés du tube du brûleur. Une fois que les grilles anti-araignées/insectes sont propres, remettez les brûleurs en place.

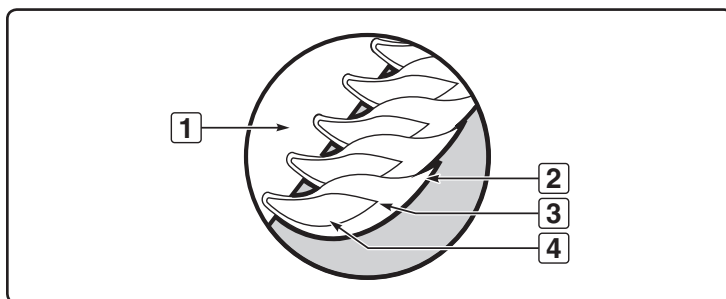
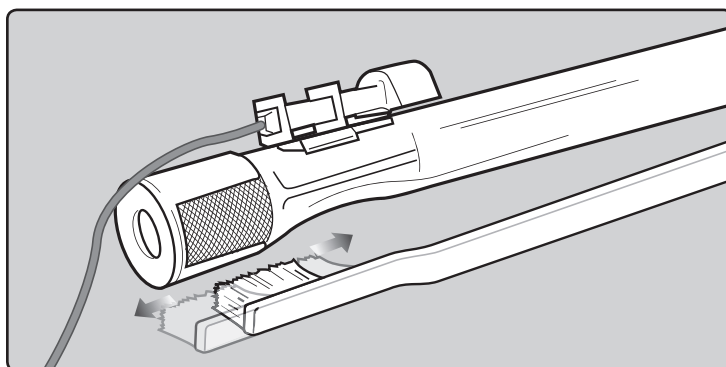
Si une grille anti-araignées/insectes se détériore ou ne peut pas être nettoyée, veuillez entrer en contact avec le Représentant du Service clientèle le plus proche à l'aide des coordonnées à votre disposition sur notre site Internet. Connectez-vous sur [www.weber.com](http://www.weber.com).

### Aspect des Flammes du Brûleur

Les brûleurs du barbecue à gaz Weber® ont été paramétrés en usine pour recevoir le mélange d'air et de gaz correct. L'aspect correct de la flamme est présenté sur l'illustration et décrit ci-dessous :

- A) Tube du brûleur (1)
- B) Les extrémités flamboient de temps en temps en jaune (2)
- C) Bleu clair (3)
- D) Bleu foncé (4)

Si les flammes ne semblent pas uniformes tout au long du tube du brûleur, suivez les procédures de nettoyage du brûleur. ♦





**⚠ ATTENTION : Ce produit a fait l'objet de tests de sécurité et est certifié pour une utilisation dans un pays particulier uniquement. Vérifiez la désignation de pays située sur le carton d'emballage.**

Ces pièces peuvent contenir du gaz ou être des éléments dont la combustion produit du gaz. Veuillez consulter le Service clientèle de Weber-Stephen Products LLC pour des renseignements sur les pièces de rechange originales de Weber-Stephen Products LLC.

**⚠ MISE EN GARDE : Ne tentez pas d'effectuer des réparations sur des éléments contenant du gaz ou sur des éléments dont la combustion produit du gaz sans contacter le service clientèle de Weber-Stephen Products LLC. Si vous ne suivez pas la présente Mise en garde relative au produit, vos actions risquent de provoquer un incendie ou une explosion entraînant des blessures physiques graves voire un décès ainsi que des dégâts matériels.**



WEBER-STEPHEN PRODUCTS LLC

[www.weber.com](http://www.weber.com)<sup>®</sup>