

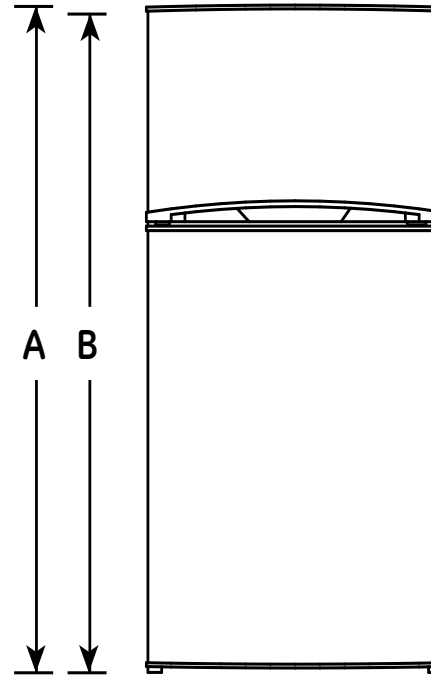
GTR12SBE

GE® 11.6 Cu. Ft. Top-Freezer Refrigerator

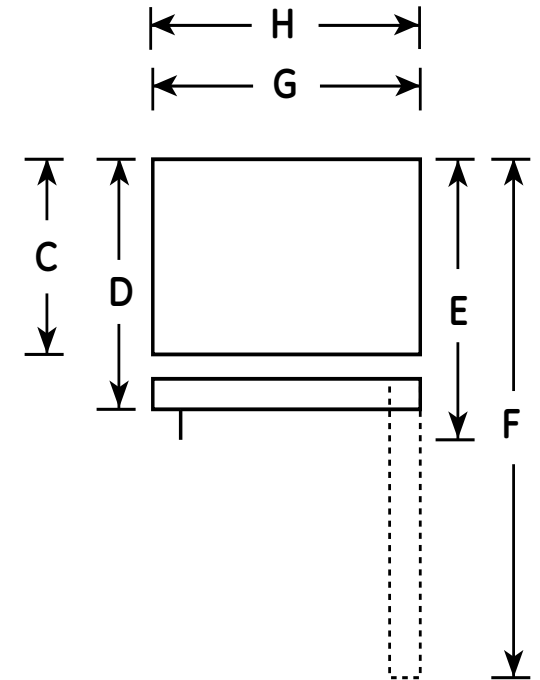
Dimensions and Installation Information (in inches)

Overall Dimensions	Height to top of hinge (in.) A	59-7/8
	Height to top of case (in.) B	59-3/8
	Case depth without door (in.) C	25-5/8
	Depth less door handle (in.) D	28-5/8
	Depth with door handle (in.) E	28-5/8
	Depth with fresh food door open 90° (in.) F	50-5/8
	Width (in.) G	24
	Width with door open 90° inc. door handle (in.) H	25-1/8
Air Clearances	Each side (in.)	1
	Top (in.)	4
	Back (in.)	3

Front View



Top View



imagination at work

For answers to your Monogram® or GE® appliance questions, visit our website at geappliances.com or call GE Answer Center® service, 800.626.2000.



Listed by
Underwriters
Laboratories



Specification Created 6/13

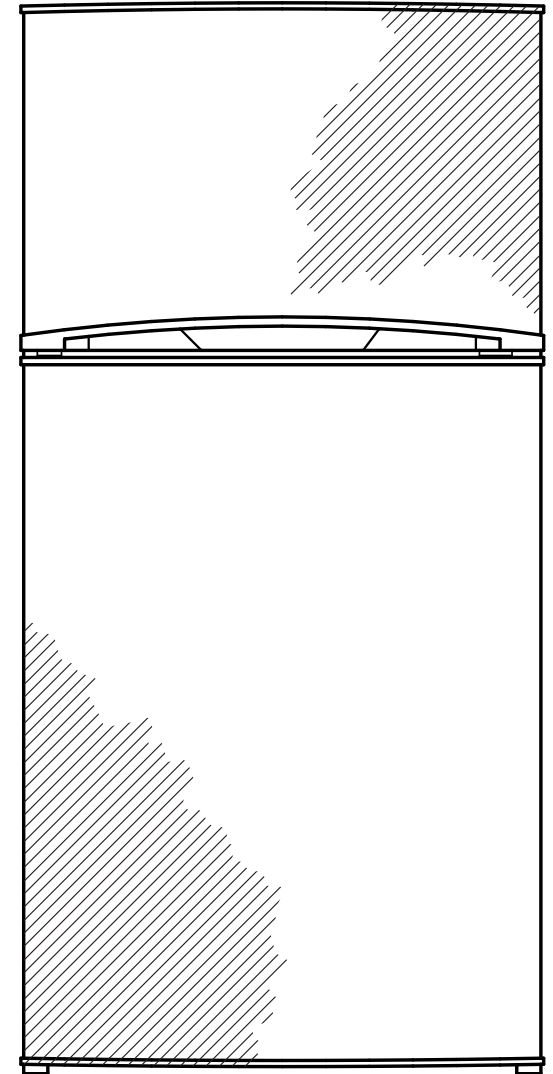
310510

GTR12SBE

GE® 11.6 Cu. Ft. Top-Freezer Refrigerator

Features and Benefits

- Equipped for optional icemaker – Easily accommodates the installation of an icemaker
- Adjustable glass shelves – Moveable shelves can handle a variety of foods
- Clear crisper drawers – Transparent drawers make finding your favorite items quick and easy
- Clear door bins – Provide ideal storage right inside the door
- Wire freezer step-shelf – Sturdy shelf provides additional storage for frozen foods
- Model GTR12SBESS - Stainless steel



imagination at work