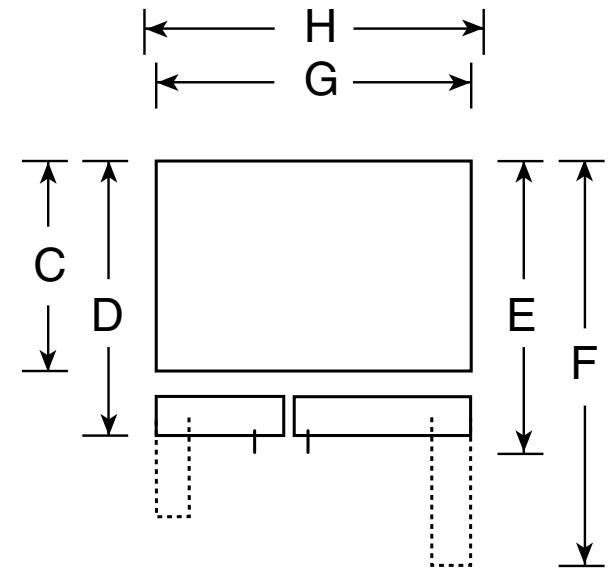
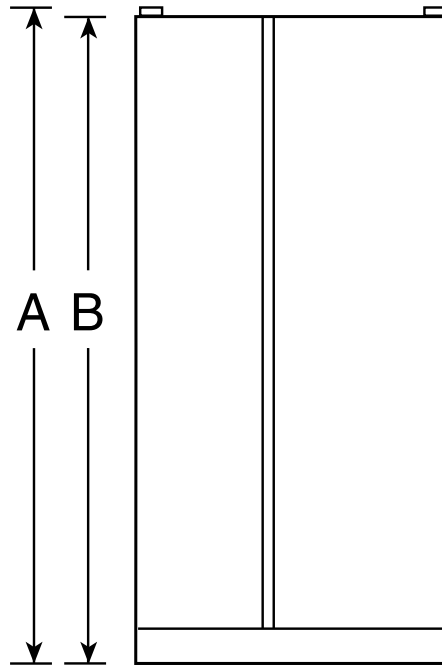


# PSE29KSE

## GE Profile™ Series ENERGY STAR® 29.1 Cu. Ft. Side-By-Side Refrigerator with Dispenser

### Dimensions and Installation Information (in inches)

Overall Dimensions	Height to top of hinge (in.) <b>A</b>	<b>69-1/2</b>
	Height to top of case (in.) <b>B</b>	<b>69</b>
	Case depth without door (in.) <b>C</b>	<b>28</b>
	Case depth less door handle (in.) <b>D</b>	<b>33-1/2</b>
	Case depth with door handle (in.) <b>E</b>	<b>36</b>
	Depth with fresh food door open 90° (in.) <b>F</b>	<b>50</b>
	Width (in.) <b>G</b>	<b>35-3/4</b>
Air	Width with door open 90° inc. door handle (in.) <b>H</b>	<b>46-1/2</b>
	Each side (in.)	<b>1/8</b>
	Top (in.)	<b>1</b>
	Back (in.)	<b>2</b>



†Water hook-up fits in back air clearance when calculating installation depth.

If installed against a wall, allow clearance of 14-3/16" on freezer side to remove bin. To remove fresh food pans, remove door bins.

Clearance required to remove fresh food full-size pan without disassembling is 18-15/16".

Allow additional space for any necessary leveling adjustments.



imagination at work

For answers to your Monogram® or GE appliance questions, visit our website at [geappliances.com](http://geappliances.com) or call GE Answer Center® service, 800.626.2000.



Listed by  
Underwriters  
Laboratories



As an ENERGY STAR® partner, GE has determined that this product meets the ENERGY STAR guidelines for energy efficiency.

Specification Revised 8/13

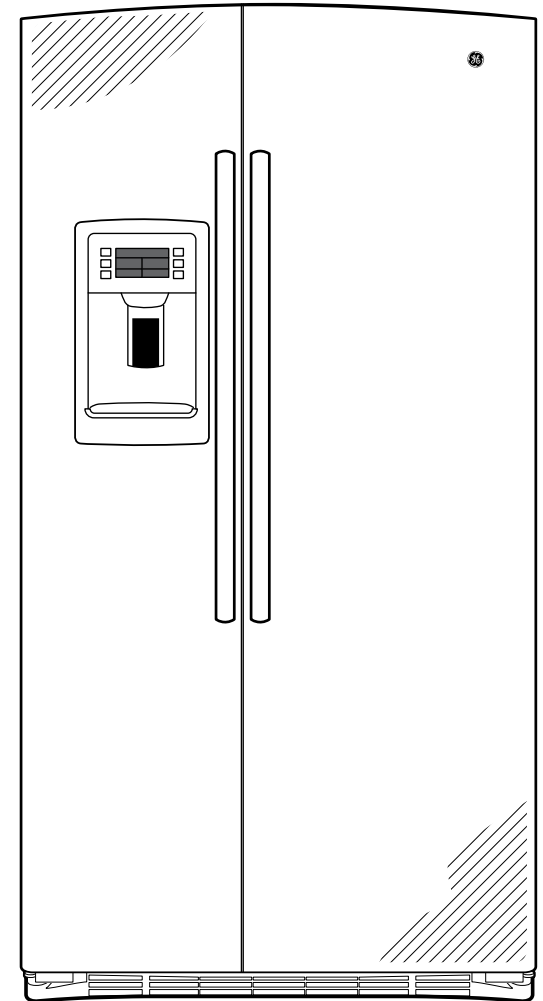
210316

# PSE29KSE

## GE Profile™ Series ENERGY STAR® 29.1 Cu. Ft. Side-By-Side Refrigerator with Dispenser

### Features and Benefits

- Stainless steel with contoured doors - Stainless steel and curves add elegance to any kitchen
- Temperature management - Enjoy even cooling throughout the fresh food section
- Angled ALL LED lighting in fresh food and freezer - Illuminates every inch of the fresh food and freezer compartments
- Arctica icemaker - Holds up to 10 lbs of ice, so there's enough for all occasions
- Multi-level freezer baskets - Provide plenty of easy-access storage for frozen foods
- Turbo Cool setting - Drops interior temperature to maintain freshness after frequent openings
- Quick Ice setting - Create ice up to 50% faster than normal settings
- Adjustable Clear Look door bins - Hold gallon containers with ease and free up valuable shelf space
- Adjustable slide-out, spillproof glass shelves - Raised edges help contain spills and make clean up quick and easy
- GE water filtration - six month filter - Removes impurities for fresh-tasting water
- Frost Guard technology - Controlled defrosting helps food retain flavor
- Integrated shelf support system - Provides strong, flexible support
- Model PSE29KSESS - Stainless steel



imagination at work



As an ENERGY STAR® partner, GE has determined that this product meets the ENERGY STAR guidelines for energy efficiency.