



### Features and Benefits

- 24" Bar Handle Dishwasher
- Ascenta Series- Stainless Steel
- SHX2AR55UC

### Key Features

- 53 dBA- Quietest in its class
- Saves up to 280 gallons of water each year
- 279 kwh/yr - Energy Star®
- Self-Latching Door Stays Put and Latches

### Design

- Stainless Steel TallTub w/ \*PP

### Performance

- 53 dBA- Quietest in its class
- 4 Wash Cycles and 2 Options
- Sanitize Option eliminates bacteria and enhances drying results

### Efficiency

- Saves up to 280 gallons of water each year
- 279 kwh/yr - Energy Star®
- EcoSense™ Reduces Energy Usage by up to 20%
- Exceeds ENERGY STAR Requirements for Water by 69%
- Half Load Cycle for small loads

### Convenience

- Bosch Exclusive 24/7 Overflow Leak Protection
- 3 h, 6 h, 9 h Delay Start Timer
- Self-Latching Door Stays Put and Latches



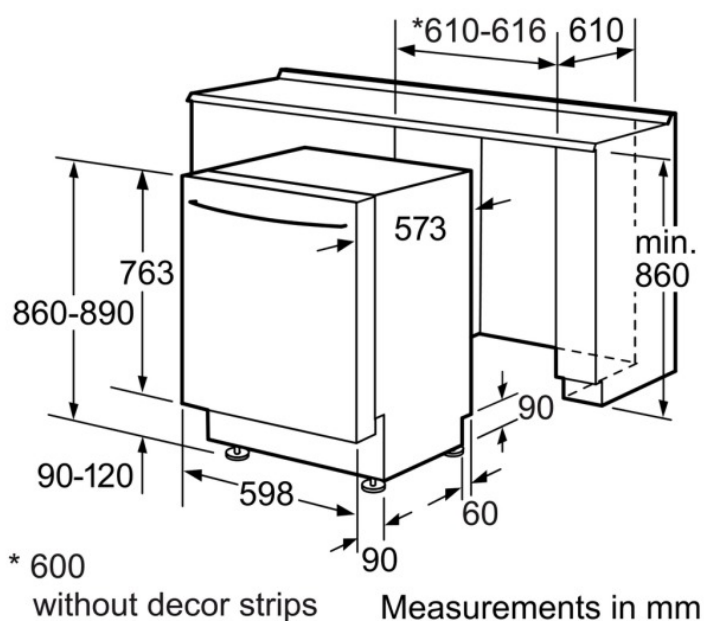
Notes: All height, width and depth dimensions are shown in inches. \*Please refer to installation instructions prior to making cutout. BSH reserves the absolute and unrestricted right to change product materials and specifications, at any time, without notice. Consult the product's installation instructions for final dimensional data and other details. Applicable product warranty can be found in a accompanying product literature or you may contact your account manager for further details.

For more information on our entire line of products, go to [boschappliances.com](http://boschappliances.com) or call 1-800-944-2904.

Copyright ©2012 BSH Home Appliances Corporation. All rights reserved. Bosch is a registered trademark of Robert Bosch GmbH.

Litho Date: 03/2012





### Features

Leak Protection System	24/7 Overflow Protection
ChildLock	No
Water softener	No
Upper Rack	100
Adjustable upper rack	No
Upper rack cup shelf	1
Lower Rack	100
Lower rack cup shelf	
3rd Rack	no
Silverware basket	Standard
Optional accessories	

### Technical Specification

UPC code	825225901068
Panel ready	No
Alternative colors available	
Silence level (dBA)	53
Watts (W)	1400
Current (A)	12
Volts (V)	120
Frequency (Hz)	60
Energy Consumption (kWh/yr)	279
Energy Star® qualified	Yes
NSF certified	Yes
Plug type	Fixed connection
Power cord length (in)	
Length outlet hose (in)	90 1/2 "
Length inlet hose (in)	
Required cutout size (HxWxD) (in)	33 7/8 " x 24 " x 24 "
Product packaging dimensions (HxWxD) (in)	35 7/8" x 26 7/8" x 26"
Net weight (lbs)	69
Gross weight (lbs)	76
Adjustable feet	No
Tub material	Stainless steel/plastic
Tub type	TallTub
ADA Compliant	No
Number of place settings	12

Notes: All height, width and depth dimensions are shown in inches. \*Please refer to installation instructions prior to making cutout. BSH reserves the absolute and unrestricted right to change product materials and specifications, at any time, without notice. Consult the product's installation instructions for final dimensional data and other details. Applicable product warranty can be found in a accompanying product literature or you may contact your account manager for further details.

For more information on our entire line of products, go to [boschappliances.com](http://boschappliances.com) or call 1-800-944-2904.

Copyright ©2012 BSH Home Appliances Corporation. All rights reserved. Bosch is a registered trademark of Robert Bosch GmbH.

Litho Date: 03/2012